



US00D435426S

United States Patent [19]
Short

[11] **Patent Number: Des. 435,426**

[45] **Date of Patent: ** Dec. 26, 2000**

[54] **PULL**

[75] Inventor: **Kevin G. Short**, LaGrange, Ill.

[73] Assignee: **Newell Operating Company**, Freeport, Ill.

[**] Term: **14 Years**

[21] Appl. No.: **29/118,030**

[22] Filed: **Feb. 3, 2000**

[51] **LOC (7) Cl.** **08-06**

[52] **U.S. Cl.** **D8/316**

[58] **Field of Search** D8/300-302, 315-320;
16/110.1, 412, 415; 40/325, 331

[56] **References Cited**

U.S. PATENT DOCUMENTS

- D. 130,321 11/1941 Borchers .
- D. 194,968 4/1963 Stelma .
- D. 257,476 11/1980 Sirois .

OTHER PUBLICATIONS

Trimco Cat.; p. 54B; pull 1136 G.

Primary Examiner—B. J. Bullock

Attorney, Agent, or Firm—Foley & Lardner

[57] **CLAIM**

I claim the ornamental design for a pull, as shown and described.

DESCRIPTION

FIG. 1 is a perspective view of the pull according to a preferred embodiment.

FIG. 2 is a top plan view of the pull.

FIG. 3 is a front elevation view of the pull.

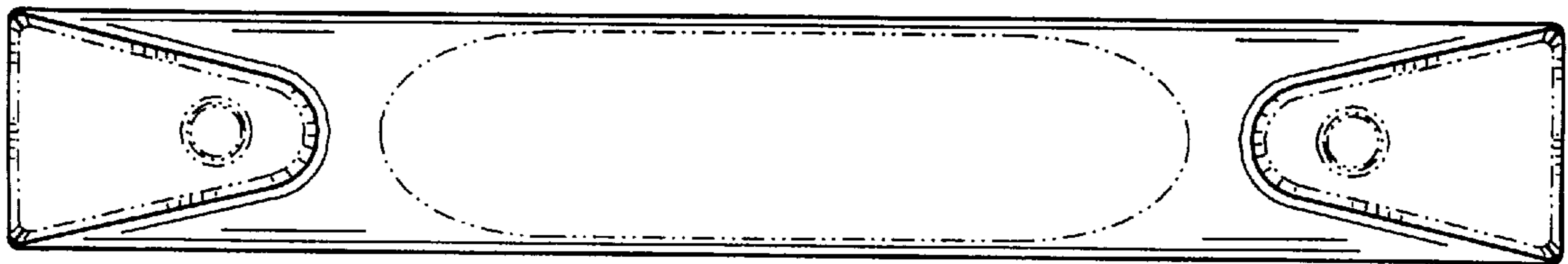
FIG. 4 is a side elevation view of the pull; and,

FIG. 5 is a bottom plan view of the pull.

The broken lines at the base of the stems and in the center of the bottom surface represent the bounds of the claim and all others are for illustrative purposes only. None of the broken lines form a part of the claimed design.

The surface(s) or portion(s) of the article not shown in the drawing or described in the specification form(s) no part of the claimed design.

1 Claim, 1 Drawing Sheet



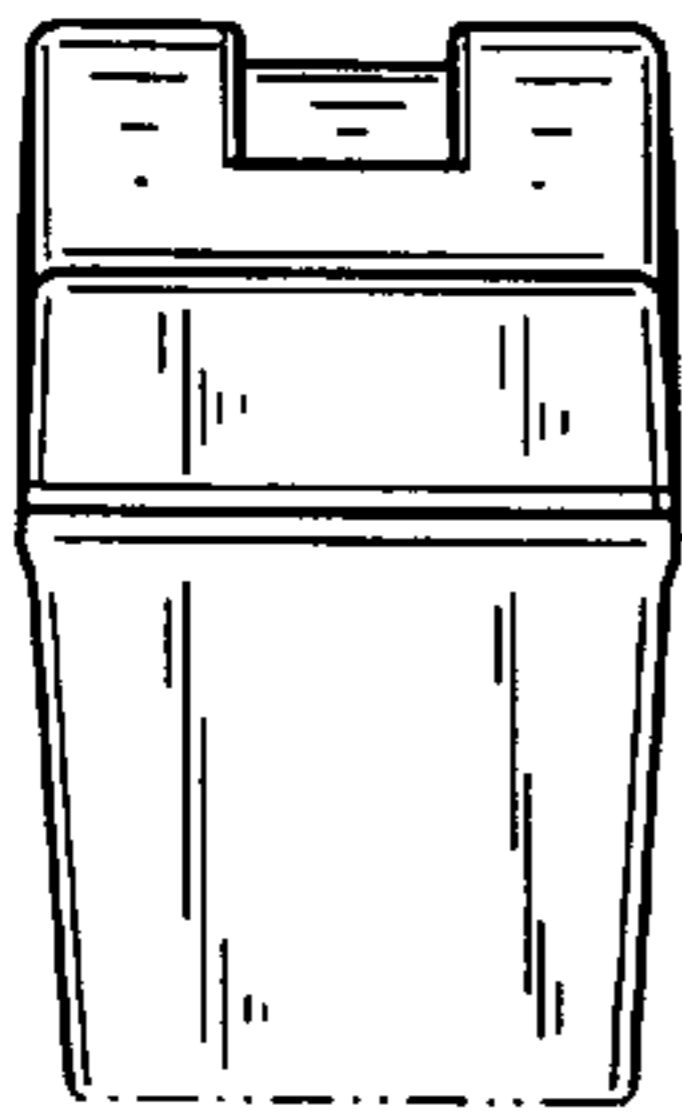
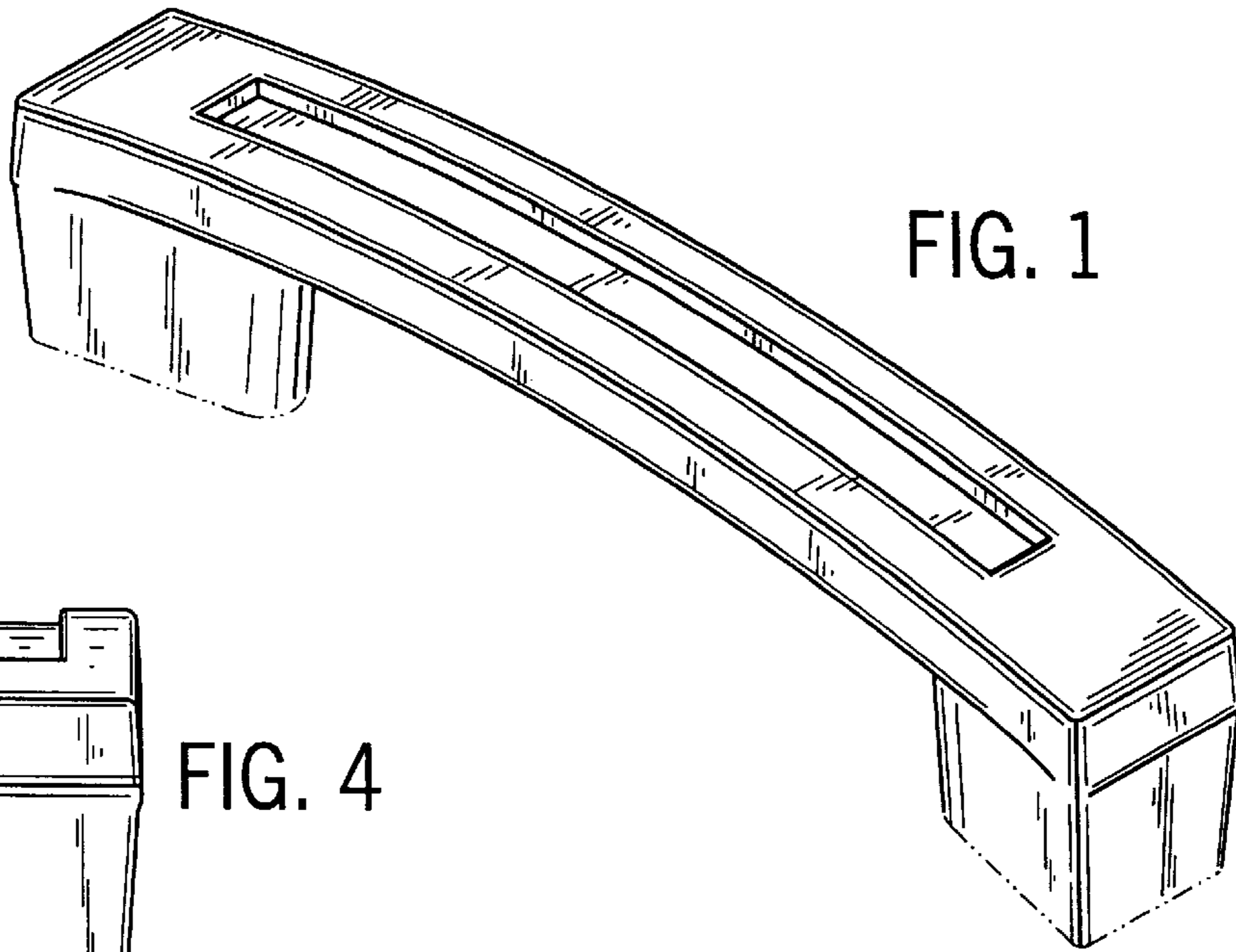


FIG. 2

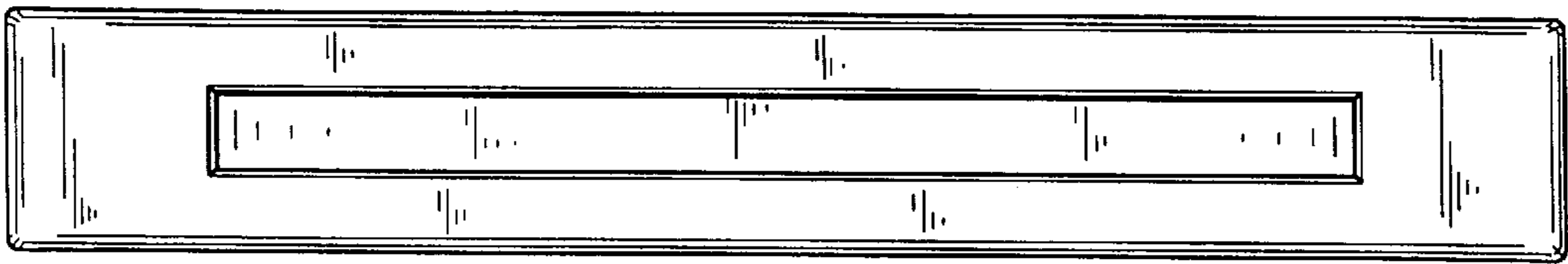


FIG. 3

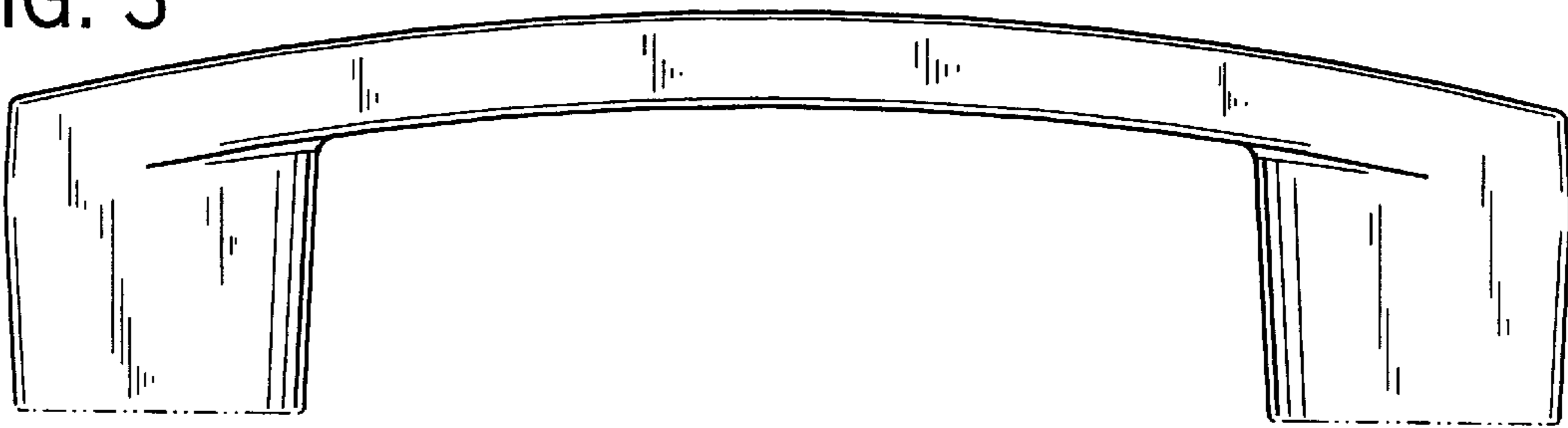
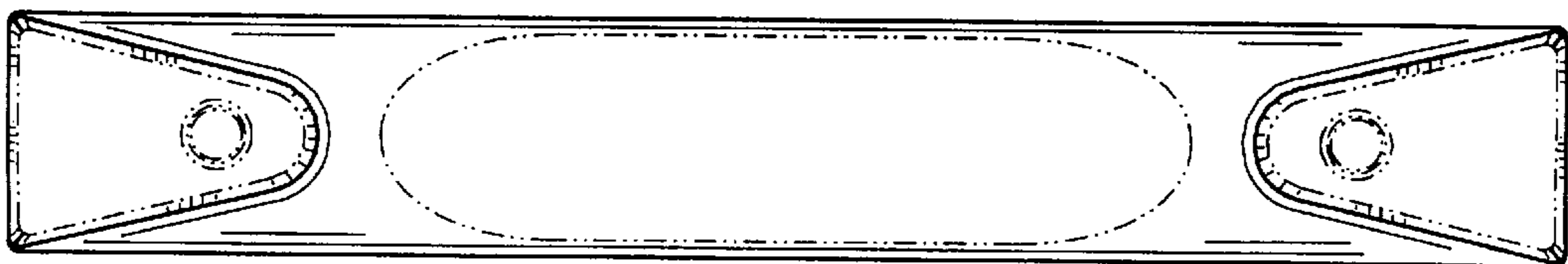


FIG. 5



UNITED STATES PATENT AND TRADEMARK OFFICE
CERTIFICATE OF CORRECTION

PATENT NO. : Des. 435,426
DATED : Dec. 26, 2000
INVENTOR(S) : Short

It is certified that error appears in the above-identified patent and that said Letters Patent is hereby corrected as shown below:

Delete "FIG. 4 is a side elevation view of the pull; and," and replace with
—FIG. 4 is a side elevation view of the pull.—

Signed and Sealed this
Fifteenth Day of May, 2001

Attest:



NICHOLAS P. GODICI

Attesting Officer

Acting Director of the United States Patent and Trademark Office