



US00D435417S

United States Patent [19]
Miller

[11] **Patent Number: Des. 435,417**

[45] **Date of Patent: ** Dec. 26, 2000**

[54] **CLAMP**

[75] **Inventor: Timothy J. Miller, Ligonier, Ind.**

[73] **Assignee: Universal Consolidated Methods, Inc., Topeka, Ind.**

[**] **Term: 14 Years**

[21] **Appl. No.: 29/118,167**

[22] **Filed: Feb. 4, 2000**

[51] **LOC (7) Cl. 08-05**

[52] **U.S. Cl. D8/73; D8/72**

[58] **Field of Search D8/71, 72, 73, D8/74, 394, 396, 397; 269/143, 239, 249, 252; 403/373, 256, 257, 231.71; 248/229.15, 229.25, 228.6**

[56] **References Cited**

U.S. PATENT DOCUMENTS

- D. 239,364 3/1976 Mooney D8/396
- D. 267,625 1/1983 Dark D8/72

- D. 271,939 12/1983 Little D8/73
- D. 358,798 5/1995 Miller D8/72
- D. 364,792 12/1995 Yoder et al. D8/72
- D. 375,440 11/1996 Yoder et al. D8/73
- D. 378,343 3/1997 Macor D8/73
- 4,074,899 2/1978 Hochstetler 269/249

Primary Examiner—Philip S. Hyder
Attorney, Agent, or Firm—Taylor & Aust, P.C.

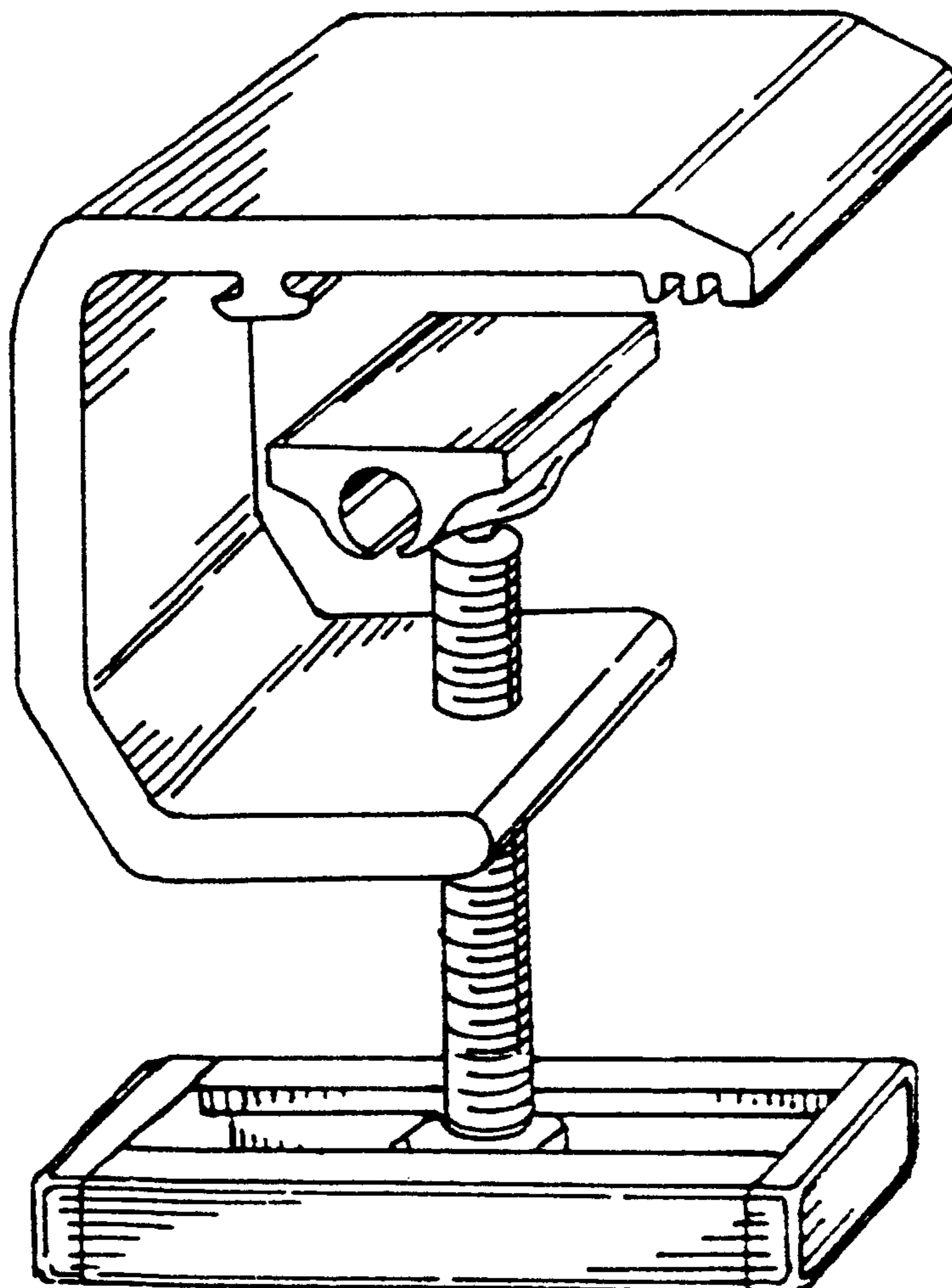
[57] **CLAIM**

The ornamental design for a clamp, as shown and described.

DESCRIPTION

FIG. 1 is a perspective view of a clamp showing my new design;
 FIG. 2 is a side view thereof, the other side view being a mirror image thereof;
 FIG. 3 is a front view thereof;
 FIG. 4 is a rear view thereof;
 FIG. 5 is a top view thereof; and
 FIG. 6 is a bottom view thereof.

1 Claim, 2 Drawing Sheets



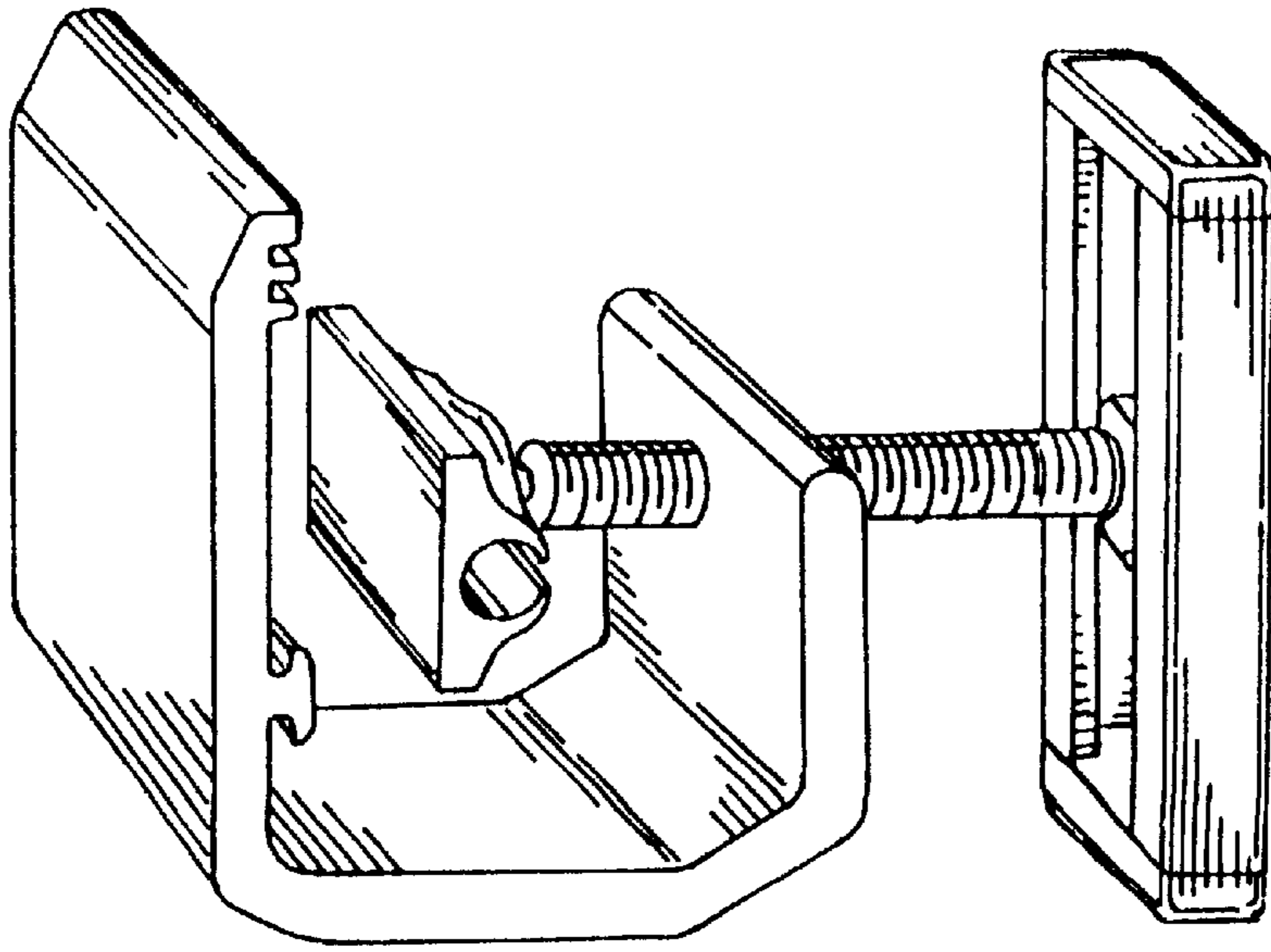


FIG. 1

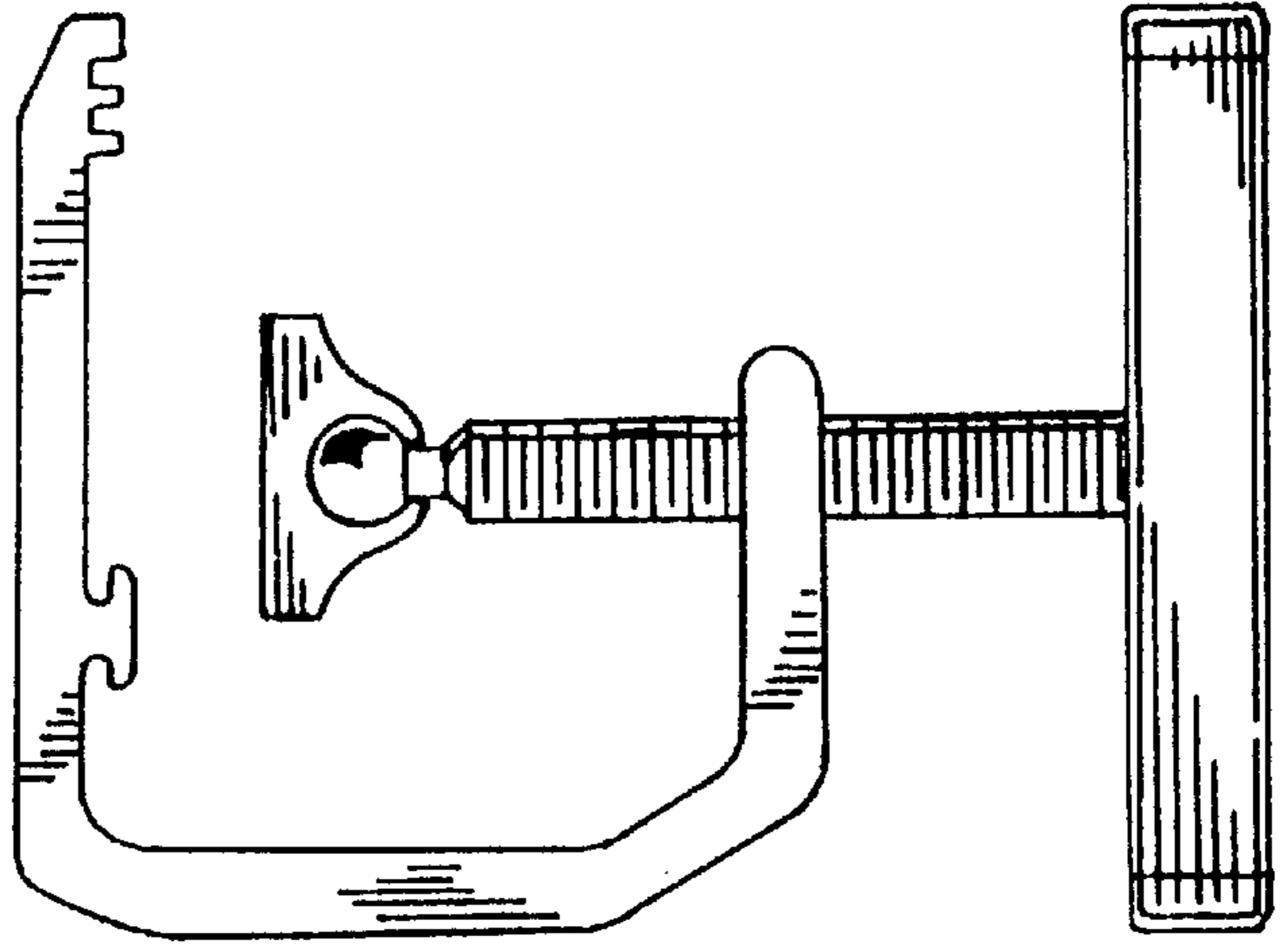


FIG. 2

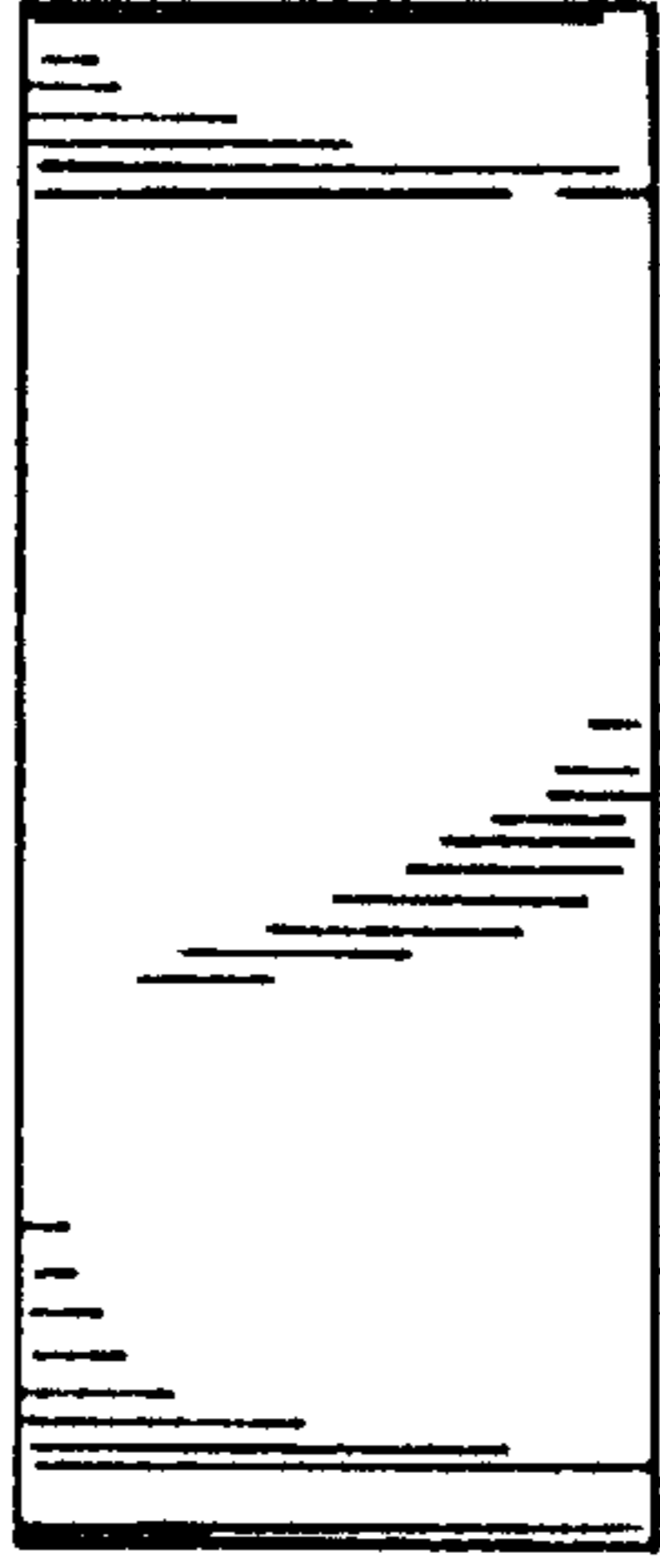


FIG. 5

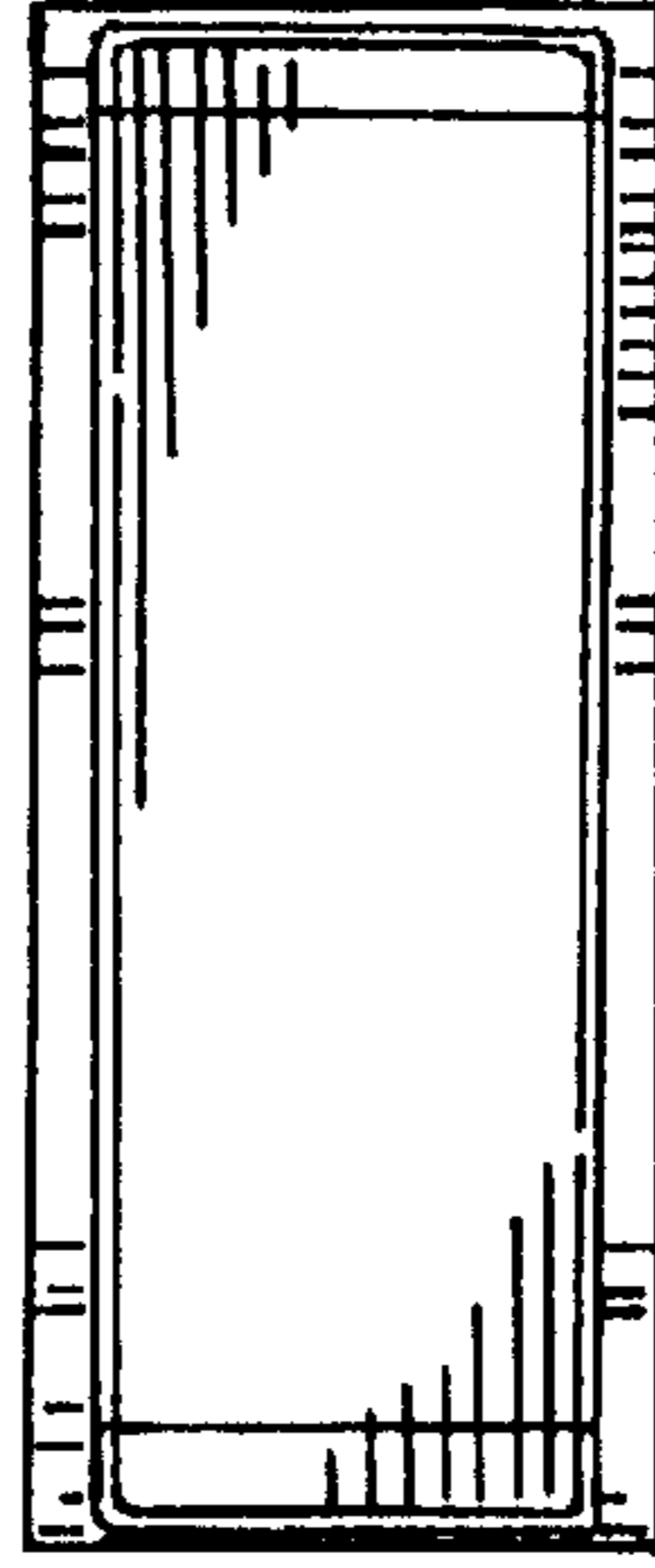


FIG. 6

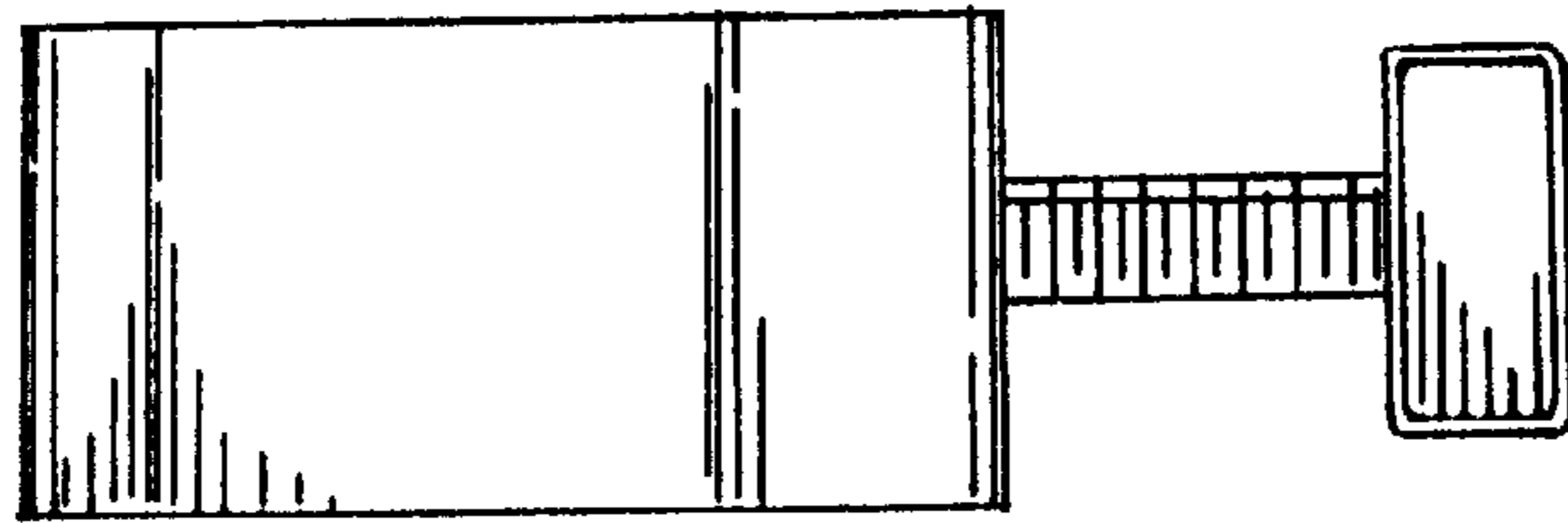


FIG. 4

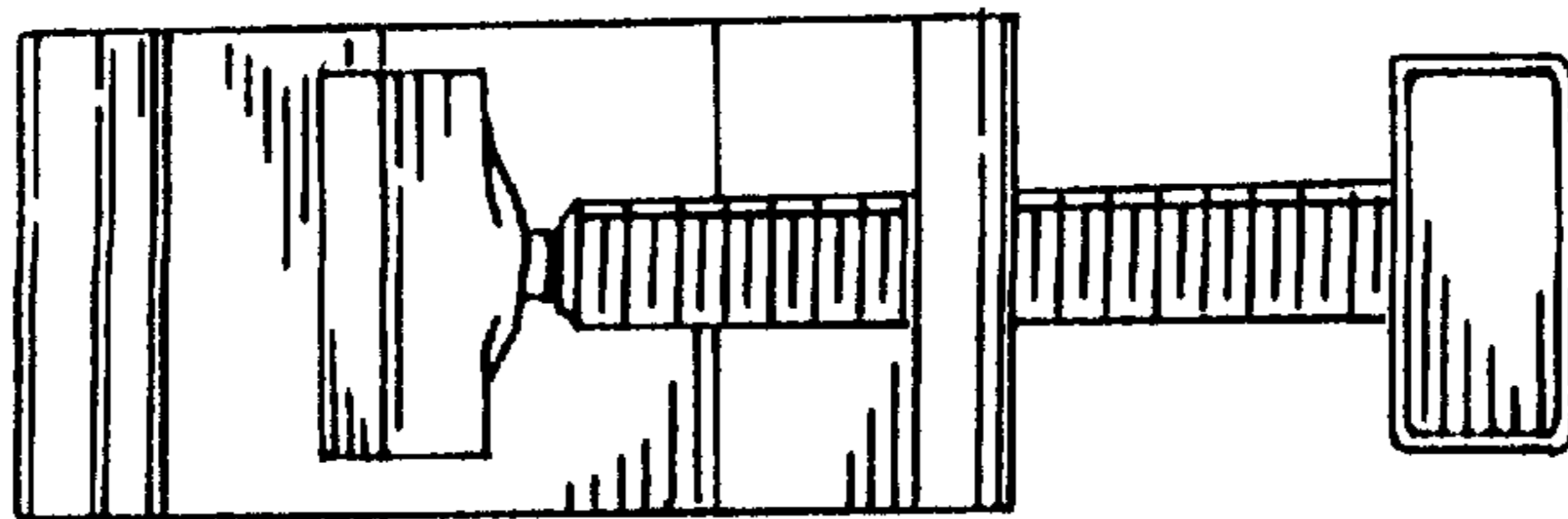


FIG. 3