



US00D435415S

United States Patent [19]

[11] Patent Number: Des. 435,415

Johnson et al.

[45] Date of Patent: ** Dec. 26, 2000

- [54] **TOOL HANDLE WITH HOLDER**
- [75] Inventors: **Kenneth R. Johnson**, Campbell;
Robert L. Johnson, Cupertino; **Ronald L. Johnson**, San Jose, all of Calif.
- [73] Assignee: **Allen-Pal LLC**, San Jose, Calif.
- [**] Term: **14 Years**
- [21] Appl. No.: **29/106,245**
- [22] Filed: **Jun. 11, 1999**

4,227,430	10/1980	Jansson et al.	81/177.4
4,302,990	12/1981	Chrichton et al.	81/177.4
4,716,795	1/1988	Corona et al.	81/177.4
4,716,796	1/1988	Corona et al.	81/177.4
4,820,090	4/1989	Chen	408/241 R
4,926,721	5/1990	Hsiao	81/177.4
4,934,223	6/1990	Wong	81/490
4,979,407	12/1990	Hernandez et al.	81/3.09
5,029,707	7/1991	Feng	206/374
5,265,504	11/1993	Fruhm	81/439
5,499,562	3/1996	Feng	81/177.4
5,522,291	6/1996	Liu	81/490
5,535,882	7/1996	Liu	206/377
5,566,596	10/1996	Lin	81/490
5,592,859	1/1997	Johnson et al.	81/177.4
5,911,799	6/1999	Johnson et al.	81/177.4

Related U.S. Application Data

- [63] Continuation-in-part of application No. 08/779,336, Jan. 6, 1997, Pat. No. 5,911,799, which is a continuation of application No. 08/473,758, Jun. 17, 1995, abandoned, which is a continuation-in-part of application No. 08/282,828, Jul. 29, 1994, Pat. No. 5,592,859.
- [51] **LOC (7) Cl.** **08-05**
- [52] **U.S. Cl.** **D8/71; D8/85**
- [58] **Field of Search** D8/70, 71, 72, D8/83, 85, 107; D6/469; D3/905; 81/177.1, 177.2, 177.4, 177.6, 177.5; 206/372, 373, 379

FOREIGN PATENT DOCUMENTS

1 147 176	5/1983	Canada .	
0 503 559 A1	9/1992	European Pat. Off. .	
0 618 046 A1	10/1994	European Pat. Off.	81/177.4
24 53 480	5/1976	Germany .	
37 44176 A1	8/1989	Germany	81/490

Primary Examiner—Philip S. Hyder
Attorney, Agent, or Firm—Haverstock & Owens LLP

[57] CLAIM

The ornamental design for a tool handle with holder, as shown and described.

[56] References Cited

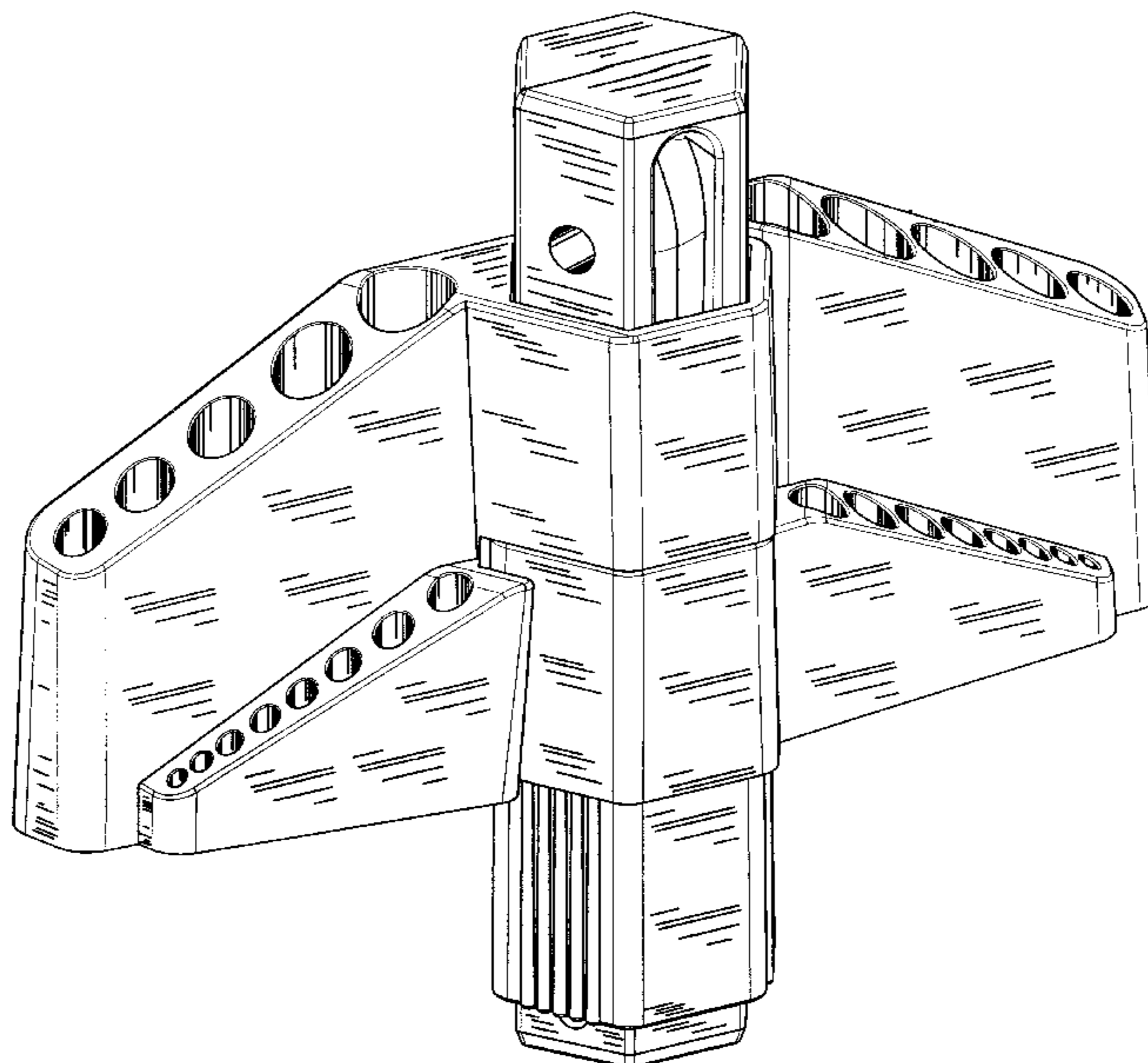
U.S. PATENT DOCUMENTS

D. 157,154	2/1950	Horton	206/375
D. 205,745	9/1966	Nannfeldt	D6/469
D. 333,769	3/1993	Jureckson	D6/469
D. 343,106	1/1994	Ekbind et al.	D8/71
D. 373,943	9/1996	Fuhrmann	D8/71
D. 385,172	10/1997	Bramsiepe et al.	D8/85
D. 405,335	2/1999	Lin	D8/85
1,172,656	2/1916	Yorgensen .	
2,409,613	10/1946	Brooks	306/32
2,530,024	11/1950	Moody	206/375
2,715,028	8/1955	Dossie	81/177.4
3,592,086	7/1971	Derwin	81/177.4
4,043,230	8/1977	Scrivens	81/177.4

DESCRIPTION

FIG. 1 illustrates a front perspective view of a tool handle with holder;
FIG. 2 illustrates a front elevation view thereof;
FIG. 3 illustrates a back elevation view thereof;
FIG. 4 illustrates a right side elevation view thereof;
FIG. 5 illustrates a left side elevation view thereof;
FIG. 6 illustrates a top plan view thereof;
FIG. 7 illustrates a bottom plan view thereof; and,
FIG. 8 illustrates a back perspective view thereof.

1 Claim, 8 Drawing Sheets



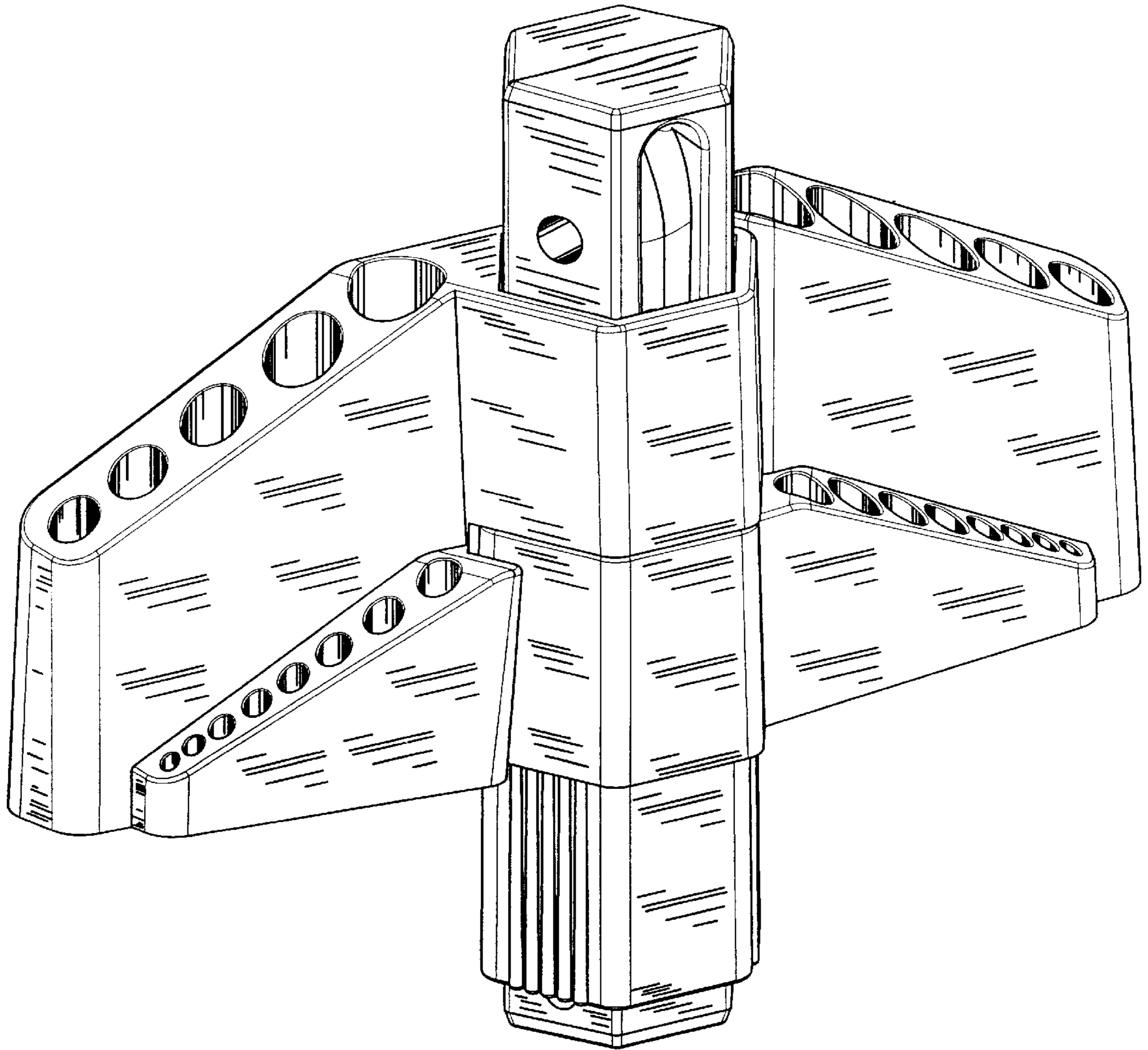


FIGURE 1

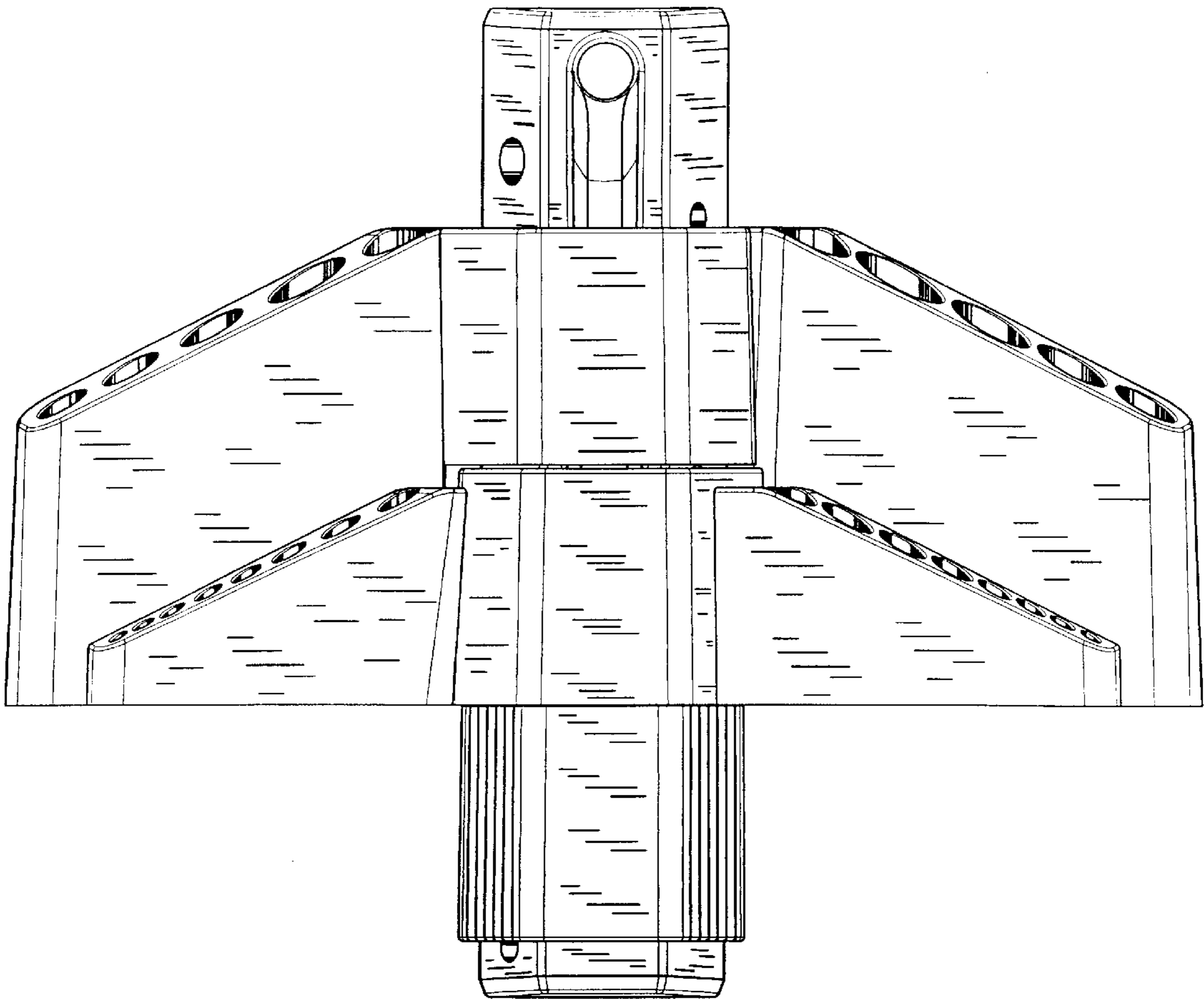


FIGURE 2

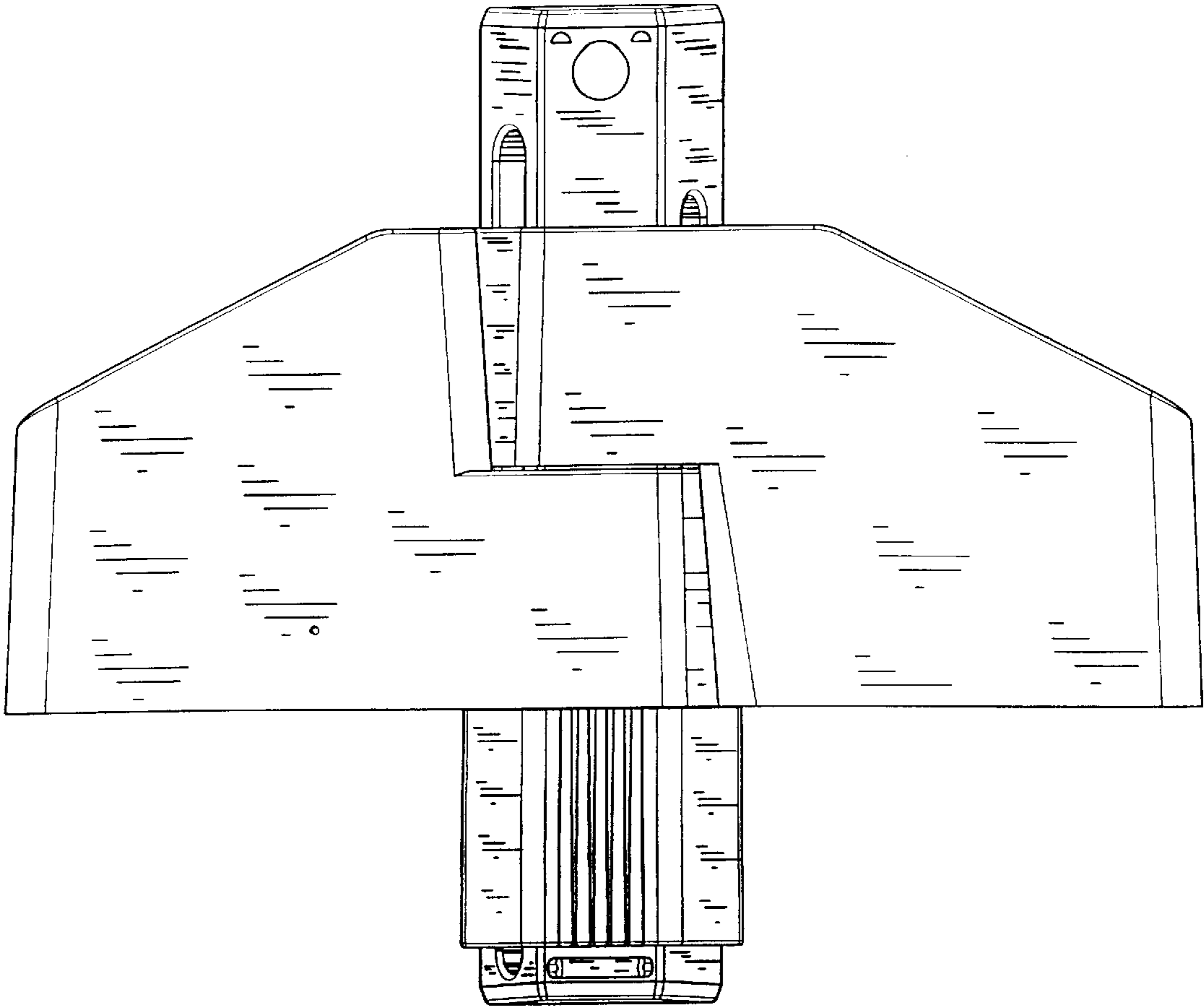


FIGURE 3

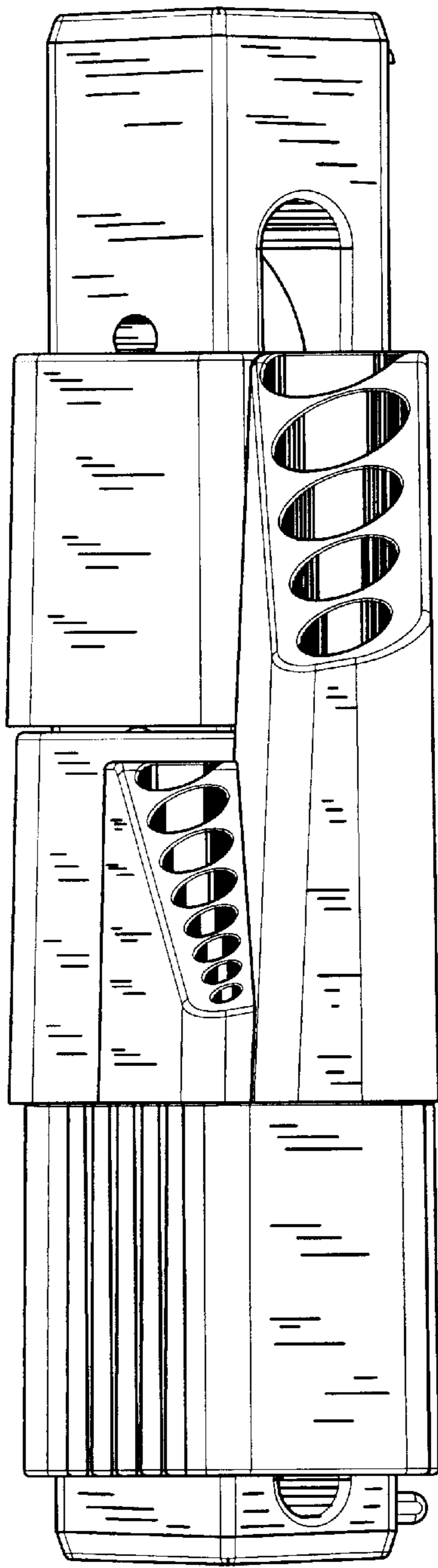


FIGURE 4

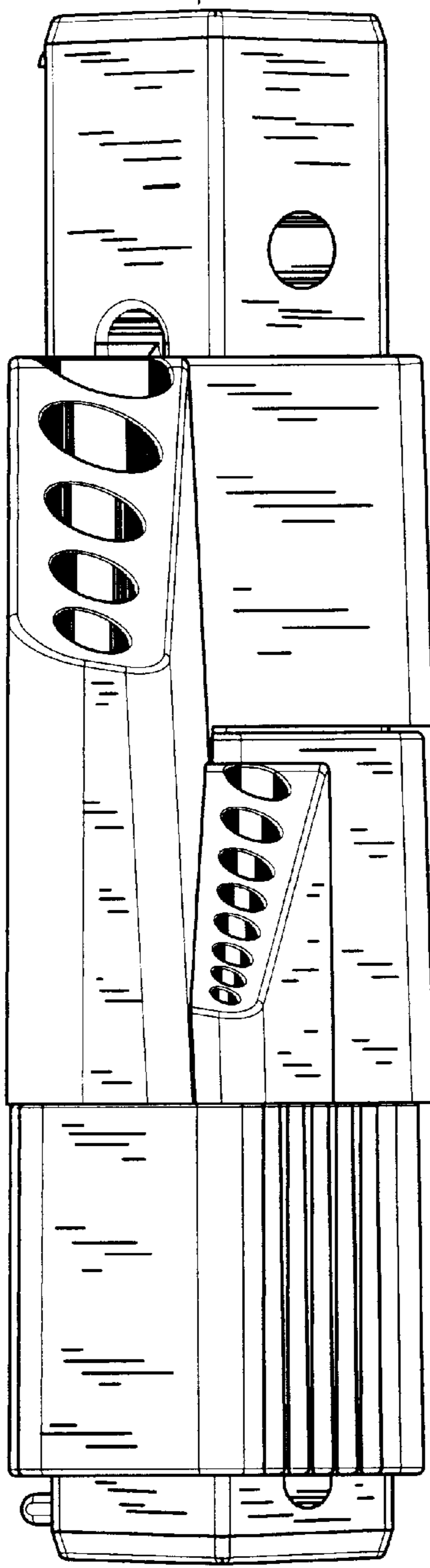


FIGURE 5

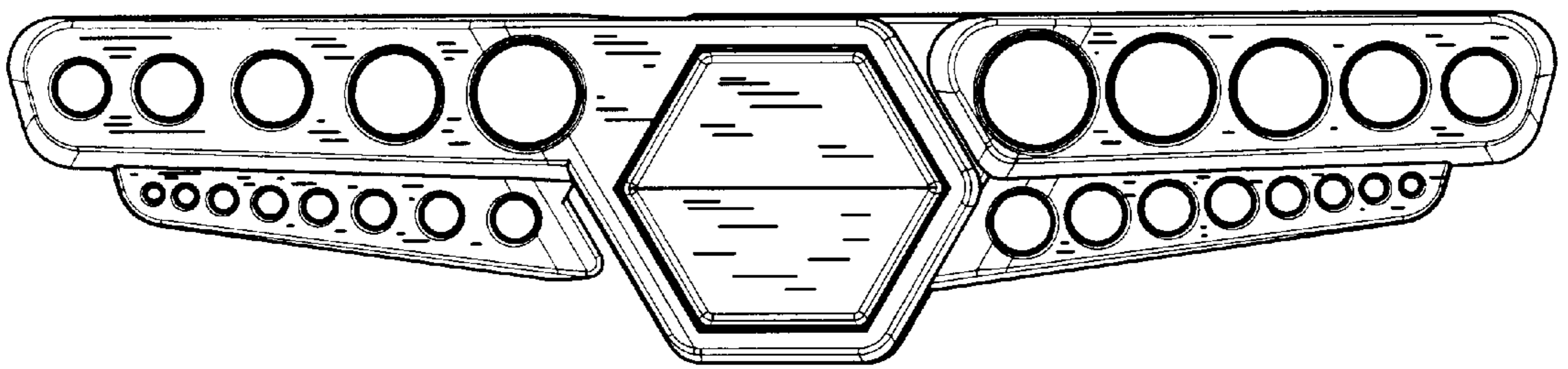


FIGURE 6

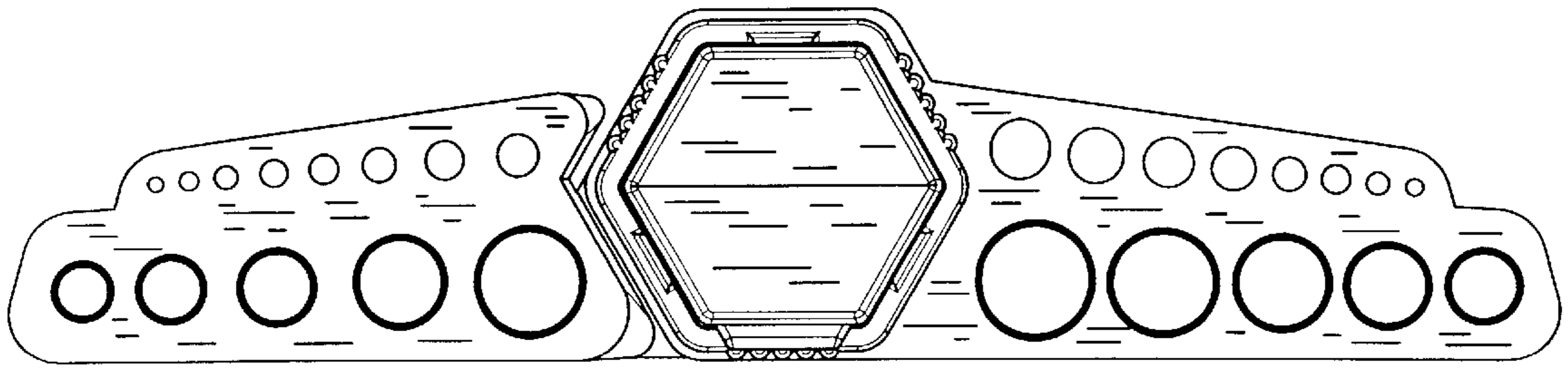


FIGURE 7

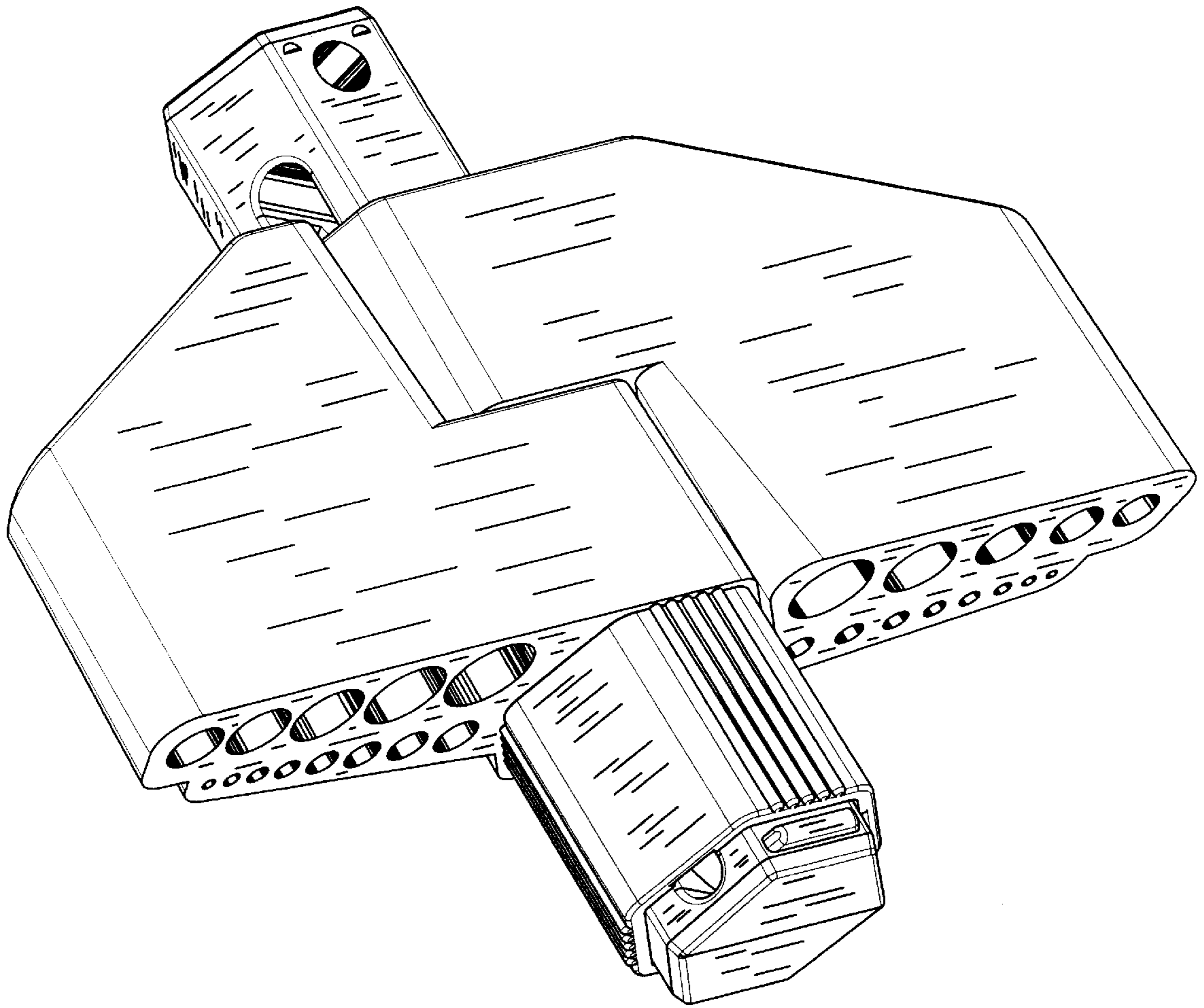


FIGURE 8

UNITED STATES PATENT AND TRADEMARK OFFICE
CERTIFICATE OF CORRECTION

PATENT NO. : Des. 435,415

DATED : December 26, 2000

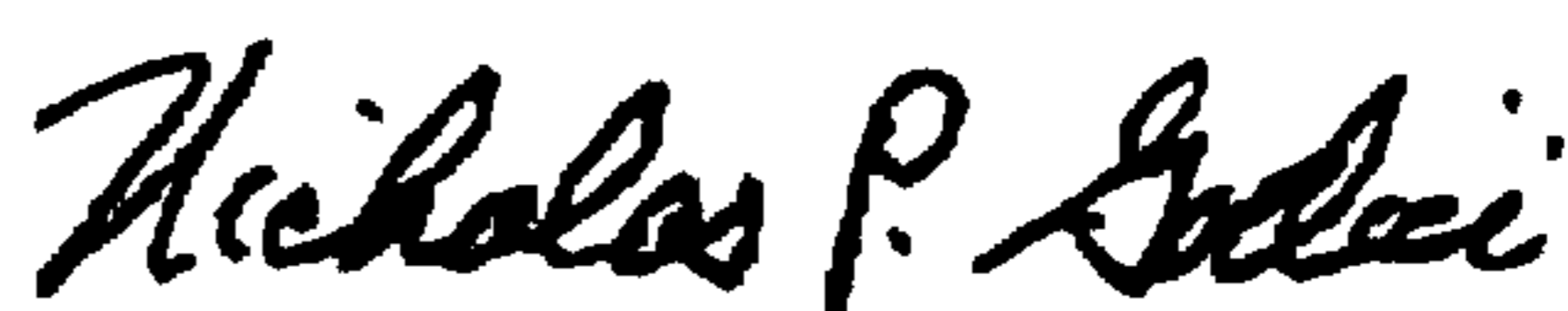
INVENTOR(S) : Johnson et al.

It is certified that error appears in the above-identified patent and that said Letters Patent is hereby correct as shown below:

-

On the front page, under heading [63], line 3, replace the date "Jun. 17, 1995" with --Jun. 7, 1995--.

Signed and Sealed this
First Day of May, 2001



NICHOLAS P. GODICI

Attest:

Attesting Officer

Acting Director of the United States Patent and Trademark Office