



US00D435414S

United States Patent [19]

[11] Patent Number: Des. 435,414

Etter et al.

[45] Date of Patent: ** Dec. 26, 2000

[54] **BATTERY POWERED DRILL/DRIVER**

[75] Inventors: **Mark A. Etter; Leslie Daily Gist; Michael A. Lagaly**, all of Jackson, Tenn.

[73] Assignee: **Porter-Cable Corporation**, Jackson, Tenn.

[**] Term: **14 Years**

[21] Appl. No.: **29/105,748**

[22] Filed: **Jun. 1, 1999**

[51] **LOC (7) Cl.** **08-05**

[52] **U.S. Cl.** **D8/68**

[58] **Field of Search** D8/61, 62, 67, D8/68, 69, 70, 83, 86, 87, DIG. 7; 81/52, 54, 55, 57, 57.11, 57.14, 177.1, 177.85, 409, 436, 439, 489, 900, 901, DIG. 12; 408/120, 122, 234, 241 R; 173/13, 19, 48, 109, 170, 171, 213, 217; 279/9.1, 142, 147, 149, 158

[56] **References Cited**

U.S. PATENT DOCUMENTS

D. 377,442	1/1997	Kikuchi	D8/68
D. 378,268	3/1997	Schultz	D8/68
D. 400,074	10/1998	Cooper	D8/68
D. 402,871	12/1998	Clowers et al.	.	
D. 402,872	12/1998	Clowers et al.	.	
D. 409,467	5/1999	Chung	D8/68
5,230,261	7/1993	Akazawa et al.	81/54

OTHER PUBLICATIONS

Bosch Catalog, front and back covers, and pp. 25–27 (1997).
 Craftsman® Power and Hand Tools Catalog (1997–1998), cover page and p. 110.
 DeWalt® 1997 Catalog, cover page and pp. 14, 15, 18, 21 and 22.
 Milwaukee® Heavy-Duty Electric Tools for Contractors and Industry, Catalog 1997, cover page and pp. 21–23 and 26–29.
 Porter Cable Catalog, front and back covers, and pp. 46 and 47 (Jul. 1997).

Tools on Sale™ 1997 Catalog, cover page and pp. 8–15 and 18–20.

Primary Examiner—Martie K. Holtje
Attorney, Agent, or Firm—Merchant & Gould P.C.

[57] **CLAIM**

The ornamental design for a battery powered drill/driver, as shown and described.

DESCRIPTION

FIG. 1 is a front and top right perspective view of a first embodiment of a battery powered drill/driver having a rechargeable battery with a first voltage capacity;
 FIG. 2 is a front elevational view of the battery powered drill/driver shown in FIG. 1.
 FIG. 3 is a rear elevational view of the battery powered drill/driver shown in FIG. 1.
 FIG. 4 is a right side elevational view of the battery powered drill/driver shown in FIG. 1.
 FIG. 5 is a left side elevational view of the battery powered drill/driver shown in FIG. 1.
 FIG. 6 is a top plan view of the battery powered drill/driver shown in FIG. 1.
 FIG. 7 is a bottom plan view of the battery powered drill/driver shown in FIG. 1.
 FIG. 8 is a front and top right perspective view of a second embodiment of a battery powered drill/driver having a rechargeable battery with a second voltage capacity.
 FIG. 9 is a front elevational view of the battery powered drill/driver shown in FIG. 8.
 FIG. 10 is a rear elevational view of the battery powered drill/driver shown in FIG. 8.
 FIG. 11 is a right side elevational view of the battery powered drill/driver shown in FIG. 8.
 FIG. 12 is a left side elevational view of the battery powered drill/driver shown in FIG. 8.
 FIG. 13 is a top plan view of the battery powered drill/driver shown in FIG. 8.
 FIG. 14 is a bottom plan view of the battery powered drill/driver shown in FIG. 8.
 FIG. 15 is a front and top right perspective view of a third embodiment of a battery powered drill/driver having a rechargeable battery with a second voltage capacity.
 FIG. 16 is a front elevational view of the battery powered drill/driver shown in FIG. 15.



FIG. 17 is a rear elevational view of the battery powered drill/driver shown in FIG. 15.

FIG. 18 is a right side elevational view of the battery powered drill/driver shown in FIG. 15.

FIG. 19 is a left side elevational view of the battery powered drill/driver shown in FIG. 15.

FIG. 20 is a top plan view of the battery powered drill/driver shown in FIG. 15.

FIG. 21 is a bottom plan view of the battery powered drill/driver shown in FIG. 15.

FIG. 22 is a front and top right perspective view of a fourth embodiment of a battery powered drill/driver having a rechargeable battery with a second voltage capacity;

FIG. 23 is a front elevational view of the battery powered drill/driver shown in FIG. 22.

FIG. 24 is a rear elevational view of the battery powered drill/driver shown in FIG. 22.

FIG. 25 is a right side elevational view of the battery powered drill/driver shown in FIG. 22.

FIG. 26 is a left side elevational view of the battery powered drill/driver shown in FIG. 22.

FIG. 27 is a top plan view of the battery powered drill/driver shown in FIG. 22.

FIG. 28 is a bottom plan view of the battery powered drill/driver shown in FIG. 22.

FIG. 29 is a front and top right perspective view of a fifth embodiment of a battery powered drill/driver having a rechargeable battery with a third voltage capacity;

FIG. 30 is a front elevational view of the battery powered drill/driver shown in FIG. 29.

FIG. 31 is a rear elevational view of the battery powered drill/driver shown in FIG. 29.

FIG. 32 is a right side elevational view of the battery powered drill/driver shown in FIG. 29.

FIG. 33 is a left side elevational view of the battery powered drill/driver shown in FIG. 29.

FIG. 34 is a top plan view of the battery powered drill/driver shown in FIG. 29.

FIG. 35 is a bottom plan view of the battery powered drill/driver shown in FIG. 29.

FIG. 36 is a front and top right perspective view of a sixth embodiment of a battery powered drill/driver having a rechargeable battery with a third voltage capacity;

FIG. 37 is a front elevational view of the battery powered drill/driver shown in FIG. 36.

FIG. 38 is a rear elevational view of the battery powered drill/driver shown in FIG. 36.

FIG. 39 is a right side elevational view of the battery powered drill/driver shown in FIG. 36.

FIG. 40 is a left side elevational view of the battery powered drill/driver shown in FIG. 36.

FIG. 41 is a top plan view of the battery powered drill/driver shown in FIG. 36; and,

FIG. 42 is a bottom plan view of the battery powered drill/driver shown in FIG. 36.

1 Claim, 42 Drawing Sheets

FIG. 1



FIG. 2

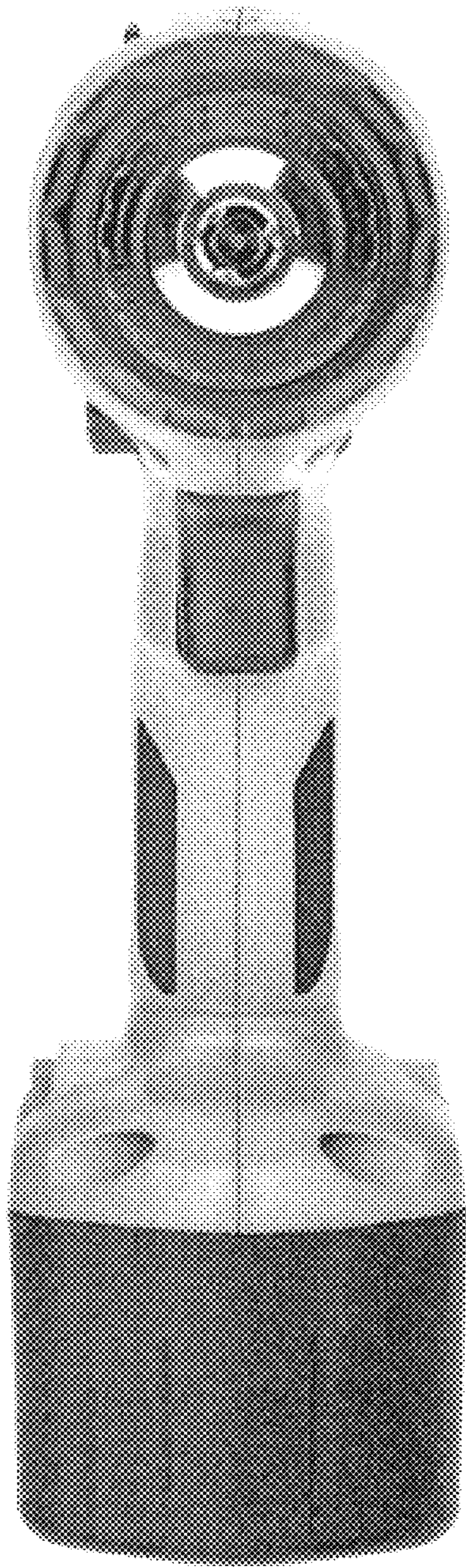


FIG. 3

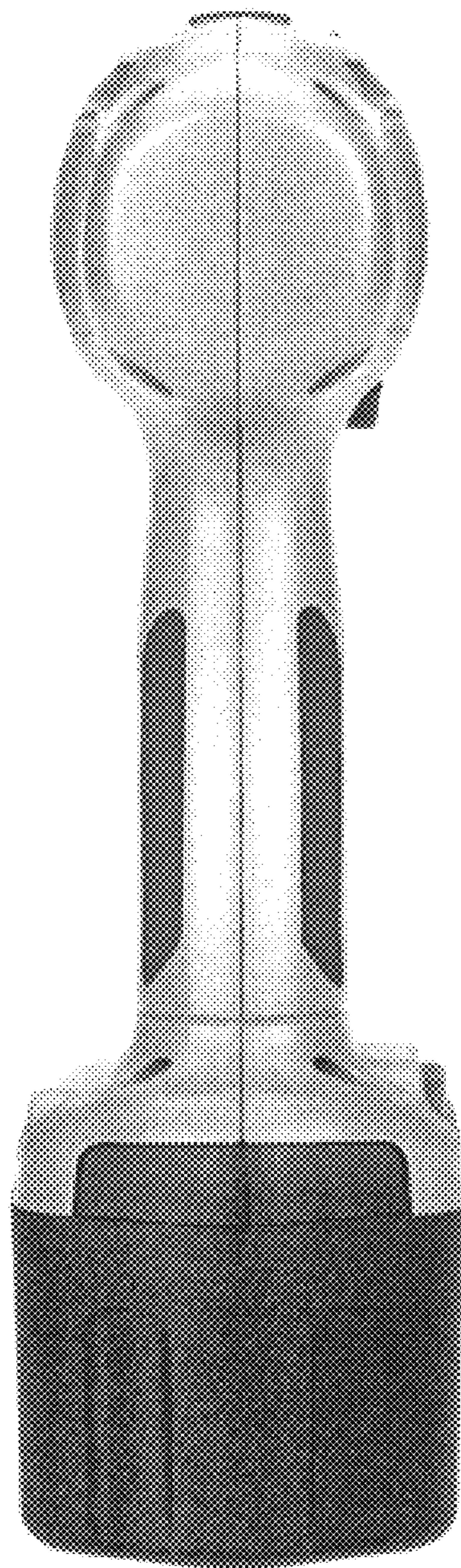


FIG. 4



FIG. 5



FIG. 6

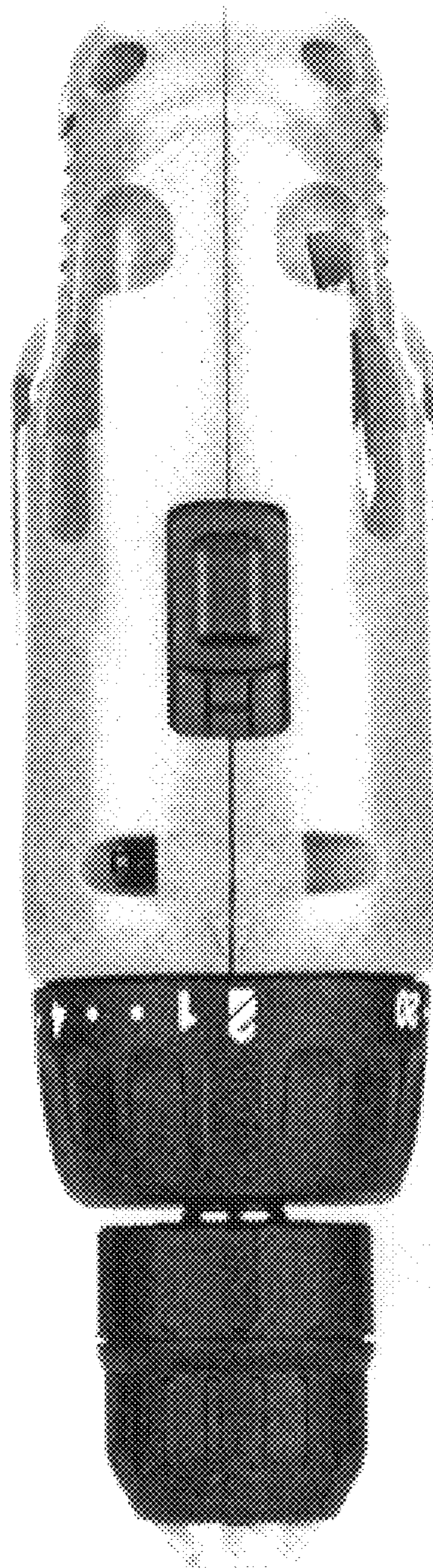


FIG. 7

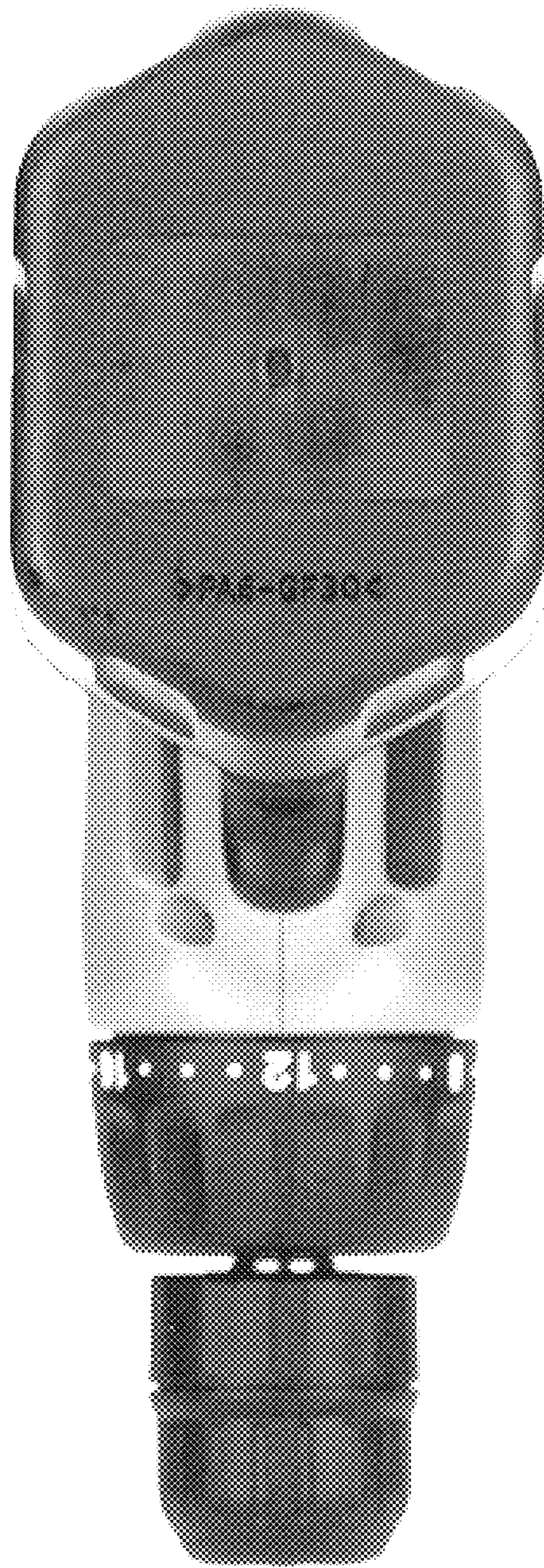


FIG. 8



FIG. 9

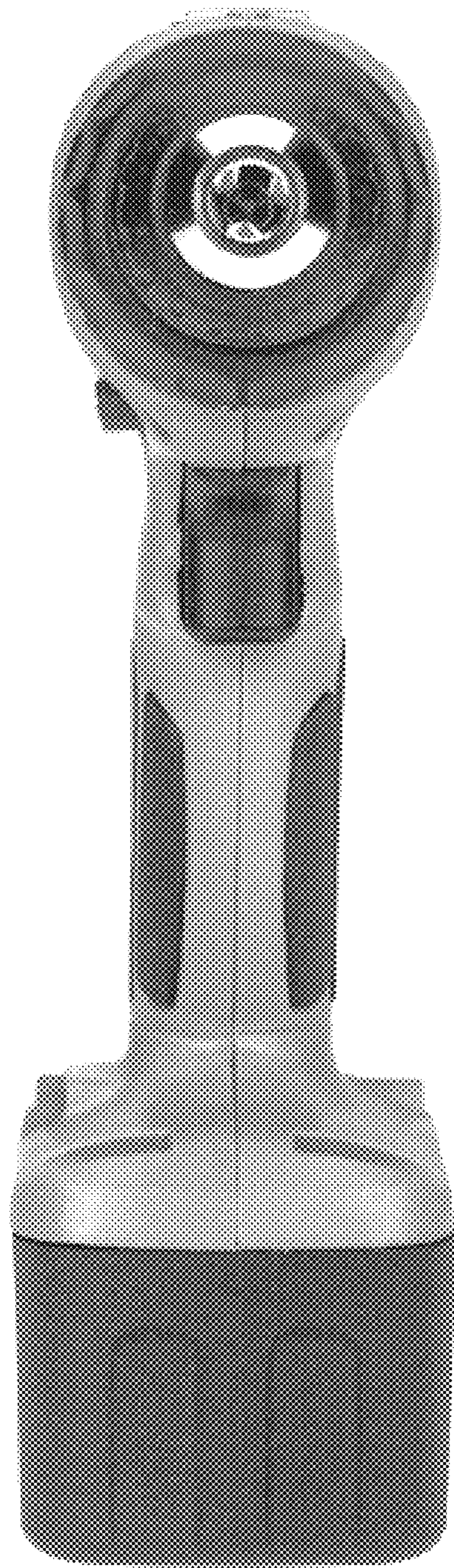


FIG. 10

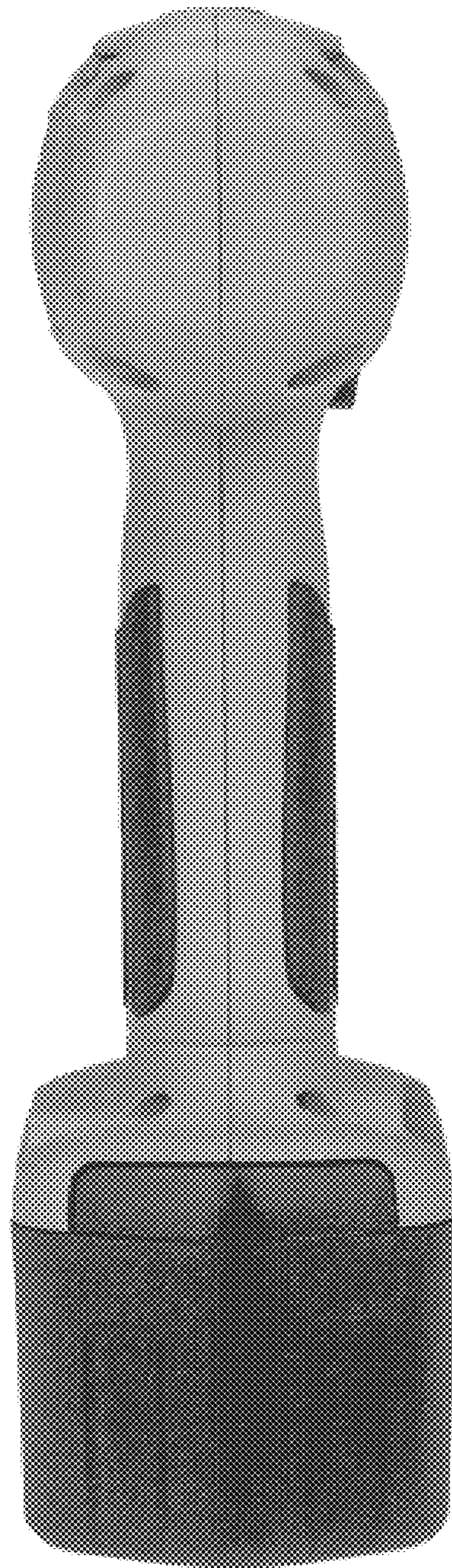


FIG. 11



FIG. 12



FIG. 13

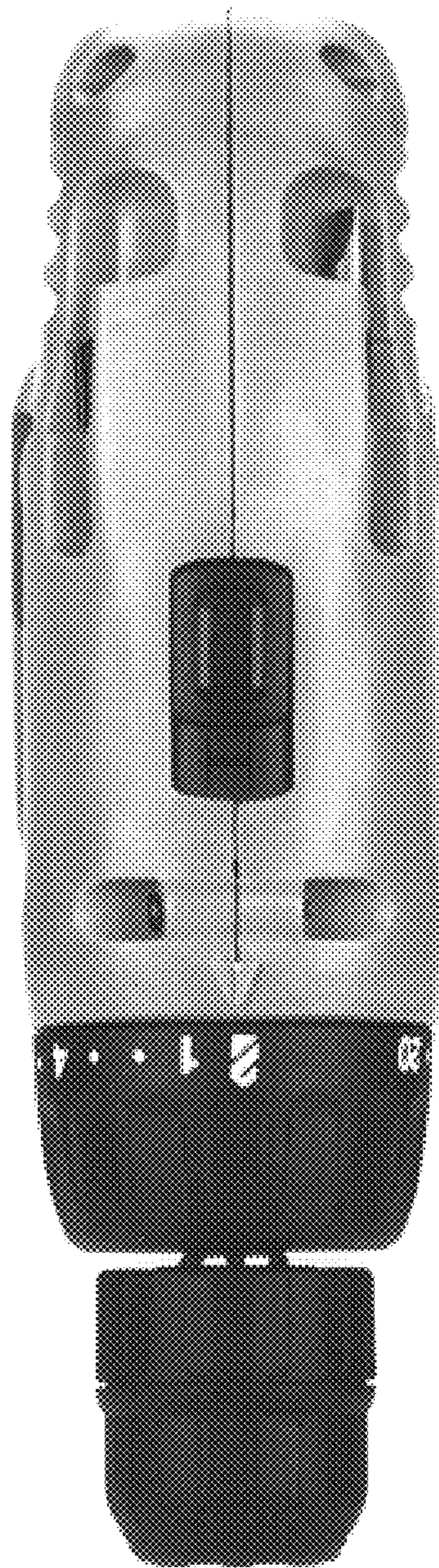


FIG. 14



FIG. 15



FIG. 16

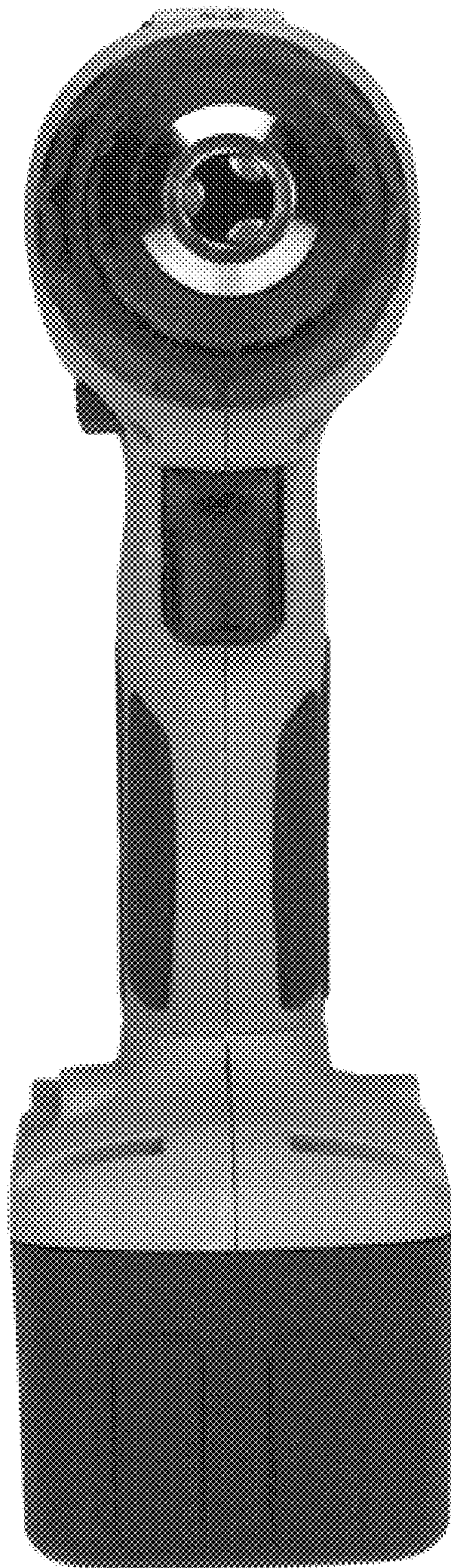


FIG. 17

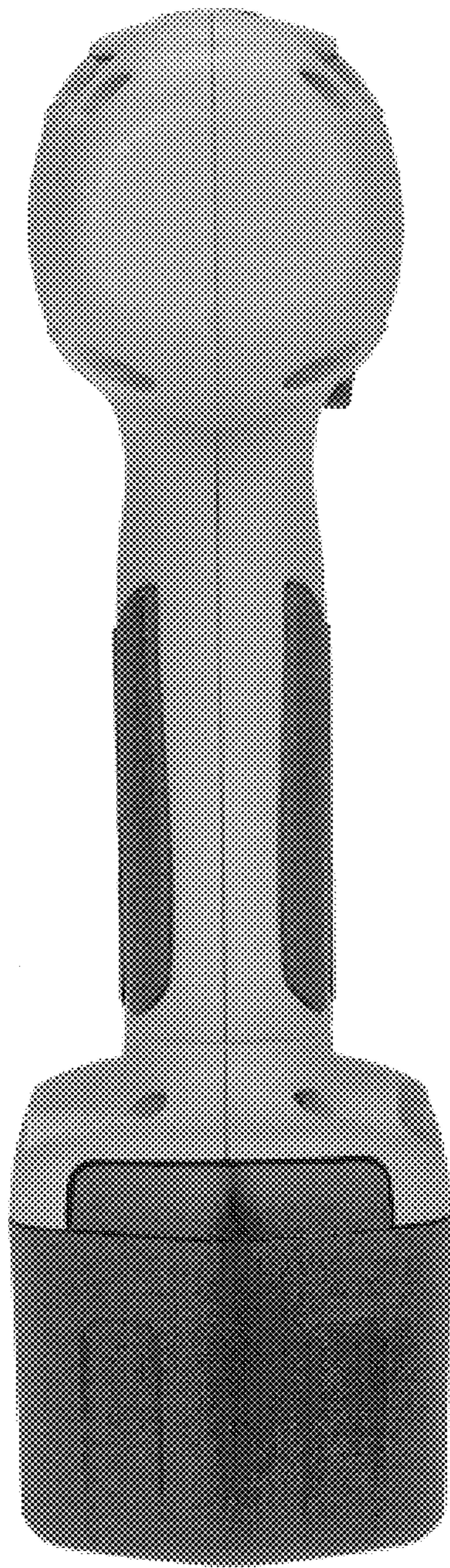


FIG. 18



FIG. 19



FIG. 20

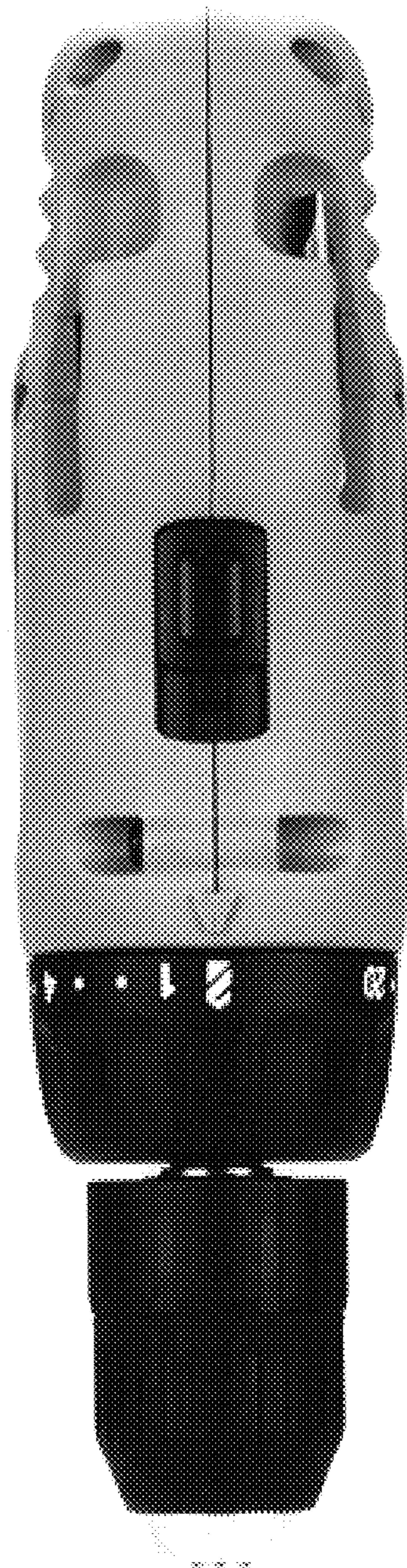


FIG. 21

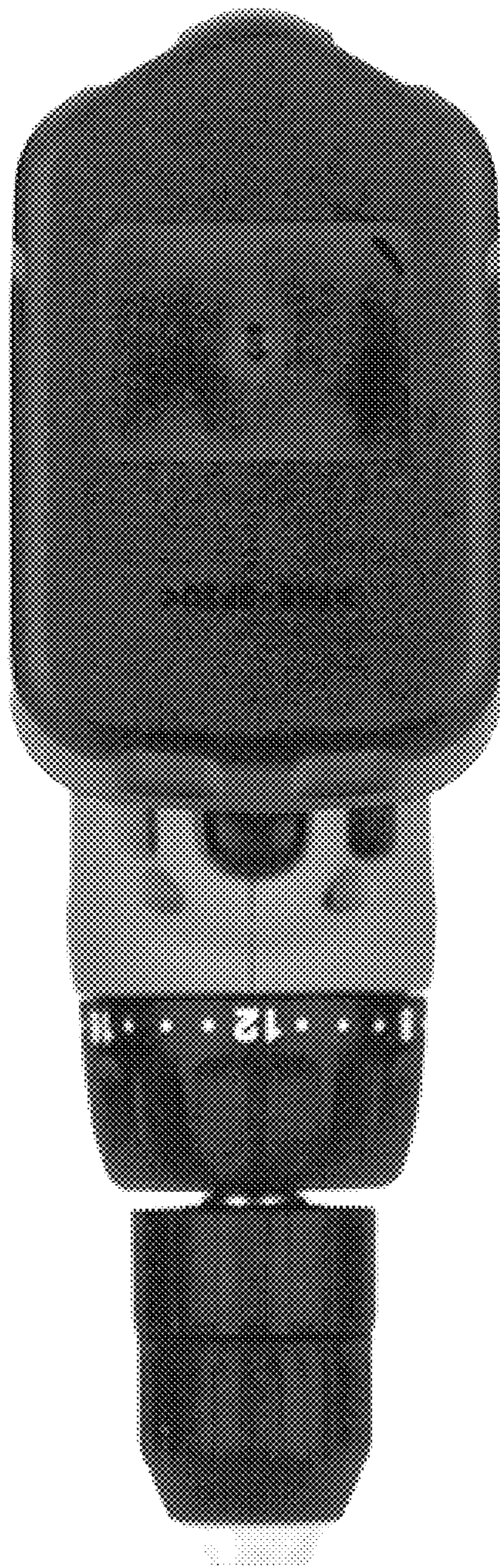


FIG. 22



FIG. 23

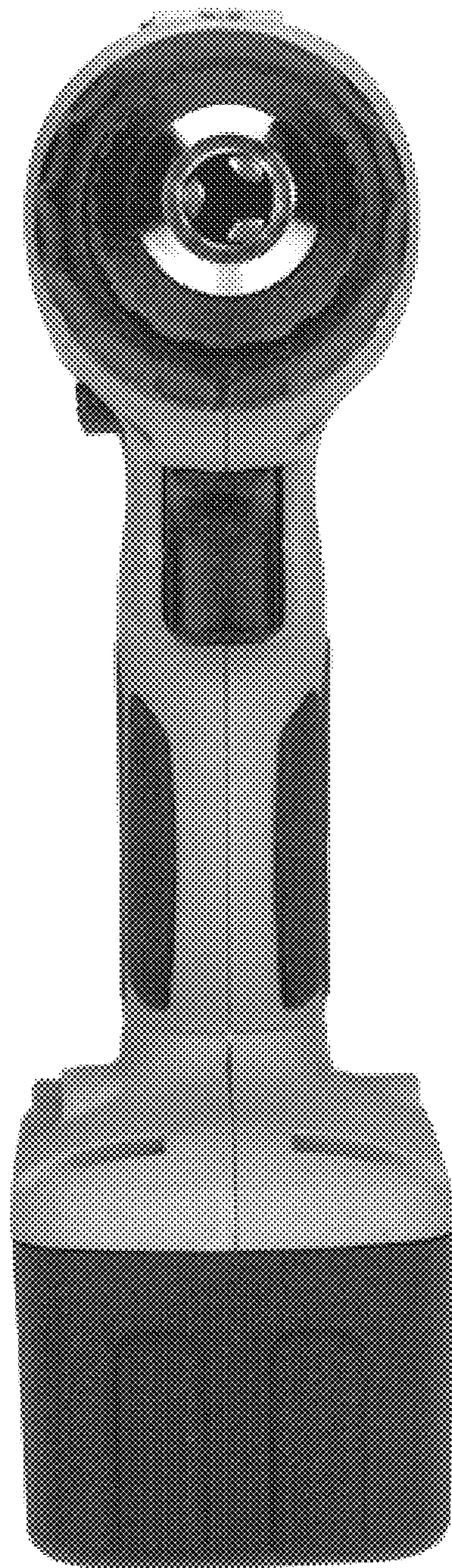


FIG. 24

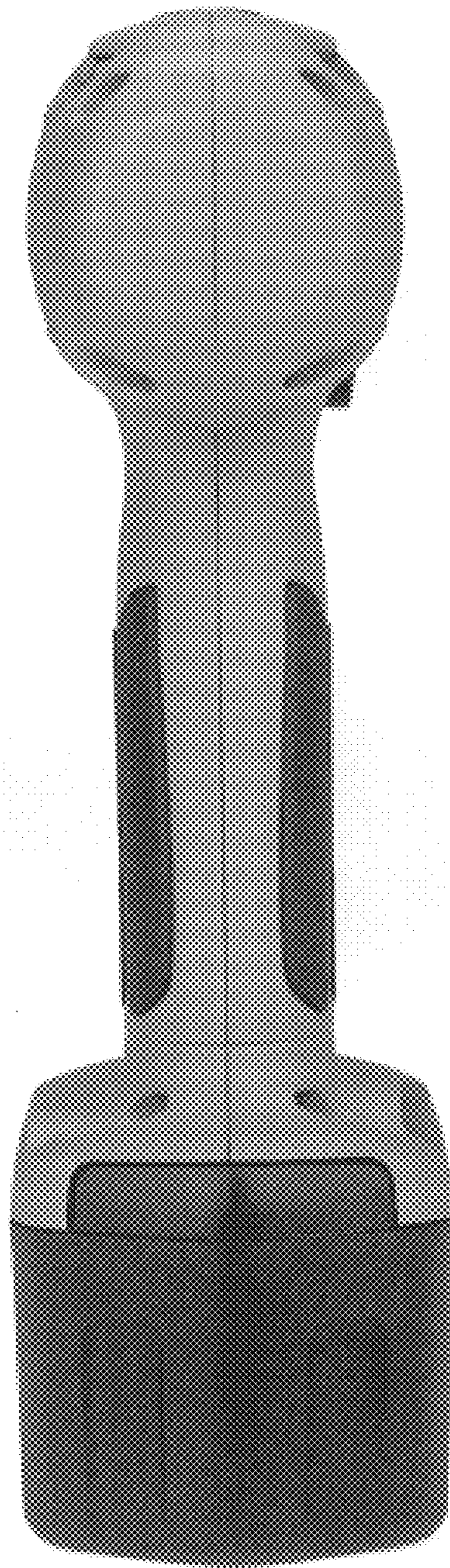


FIG. 25



FIG. 26



FIG. 27

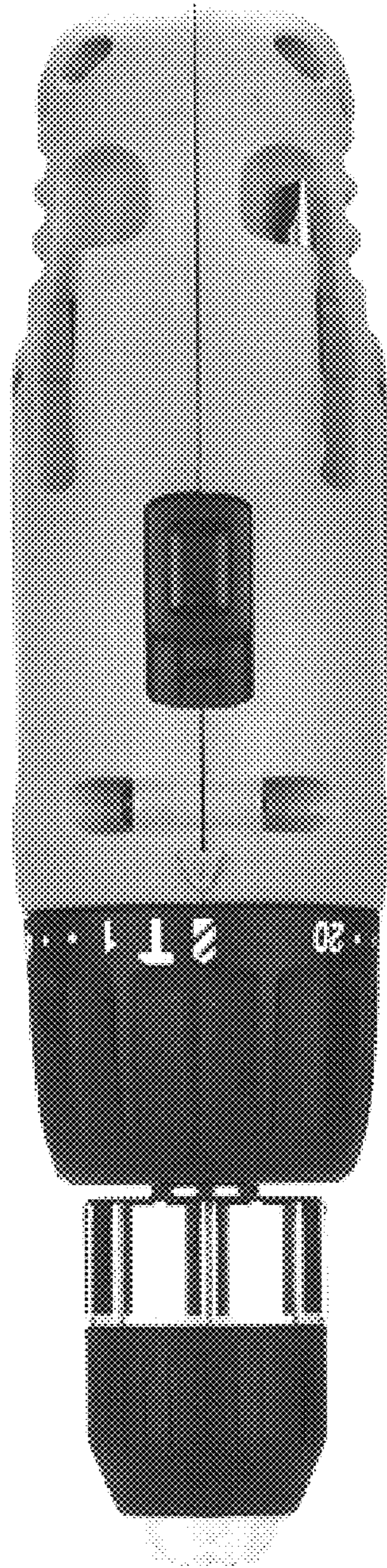


FIG. 28

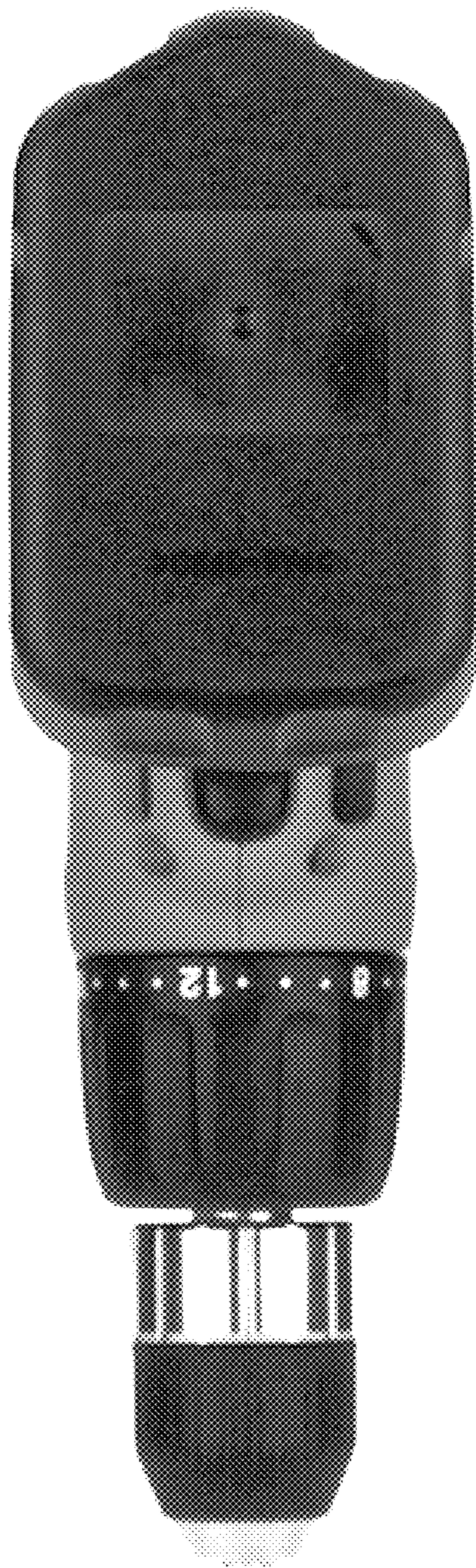


FIG. 29



FIG. 30

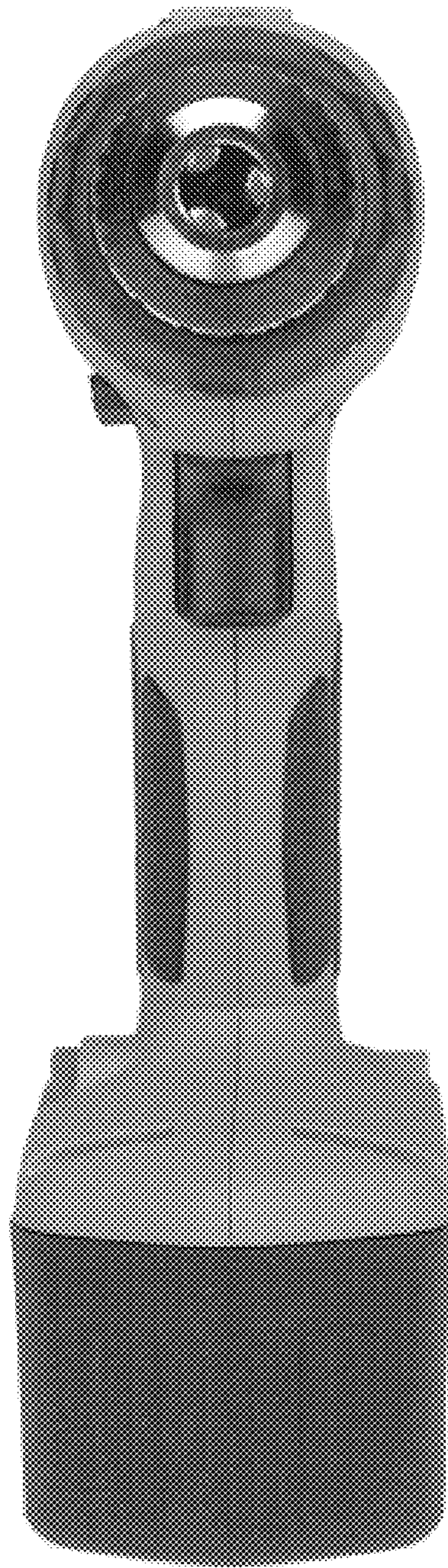


FIG. 31

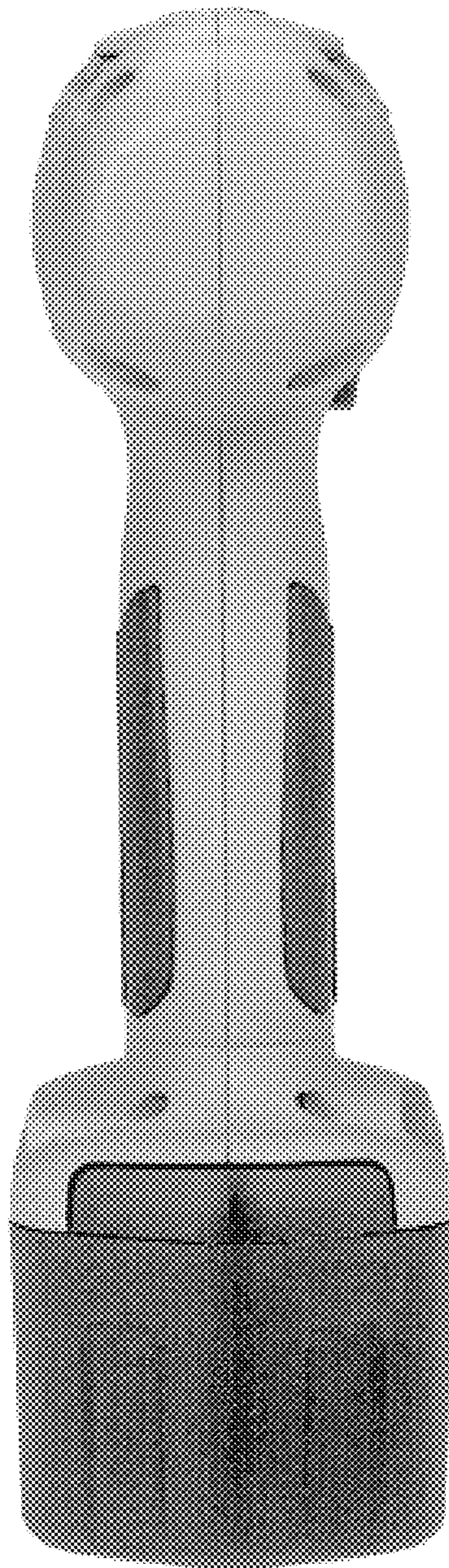


FIG. 32



FIG. 33



FIG. 34

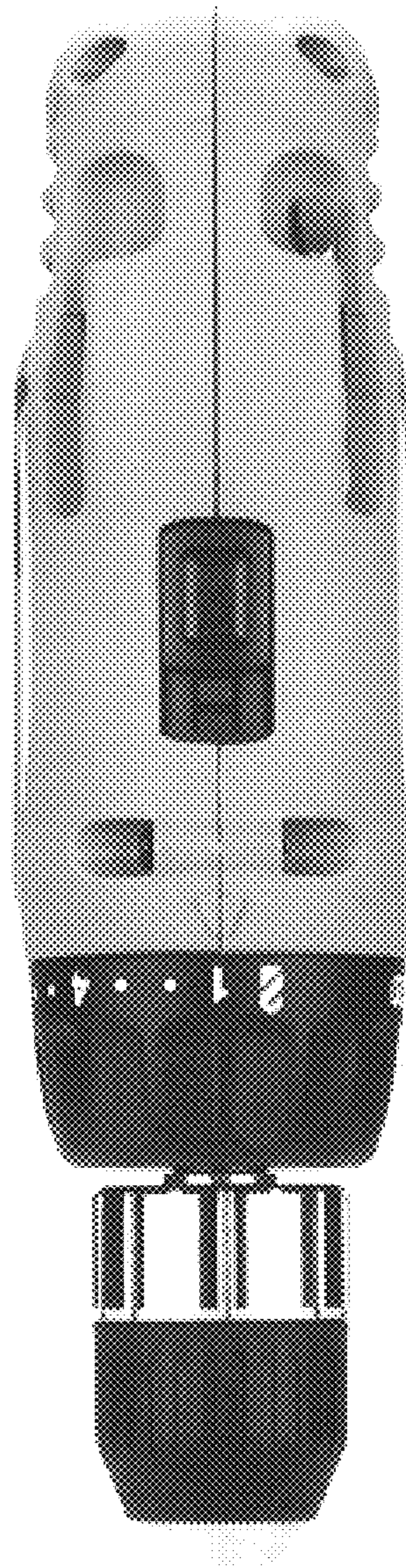


FIG. 35



FIG. 36



FIG. 37

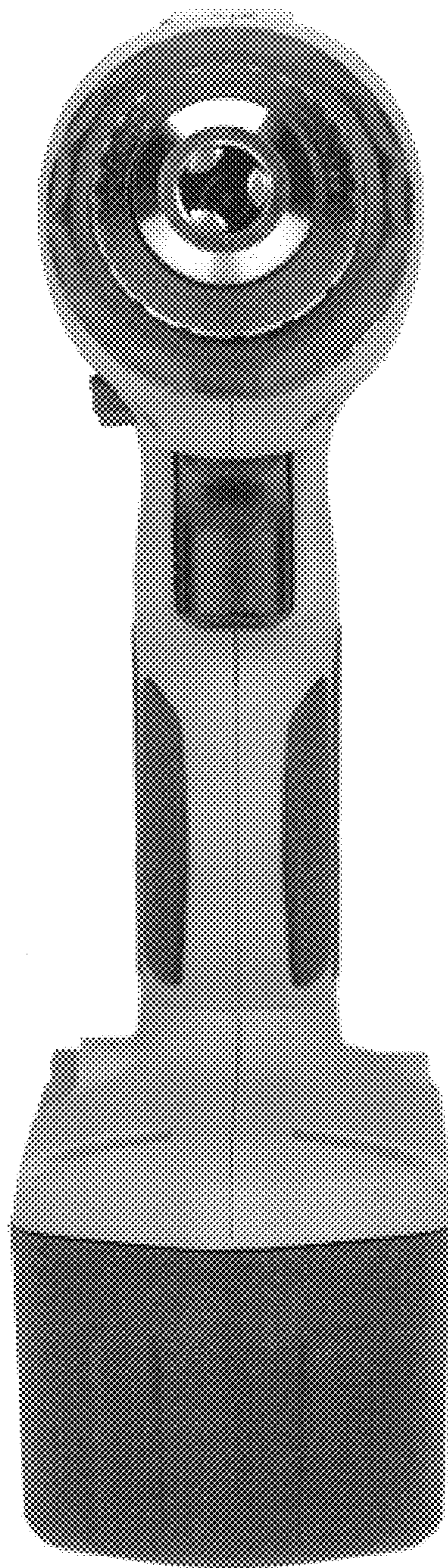


FIG. 38

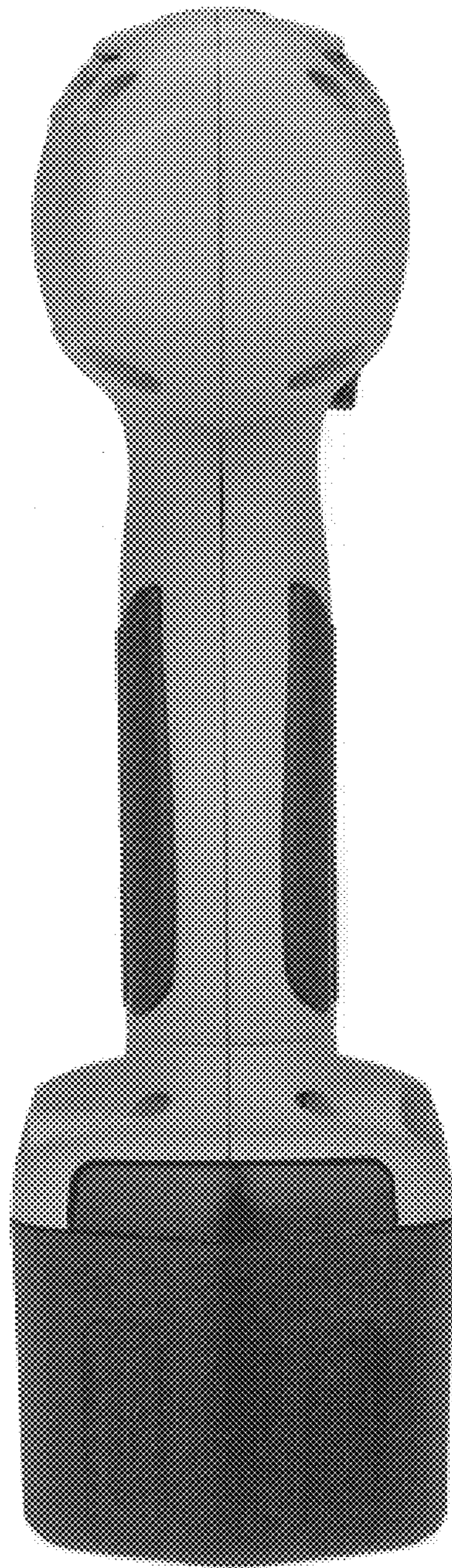


FIG. 39



FIG. 40



FIG. 41

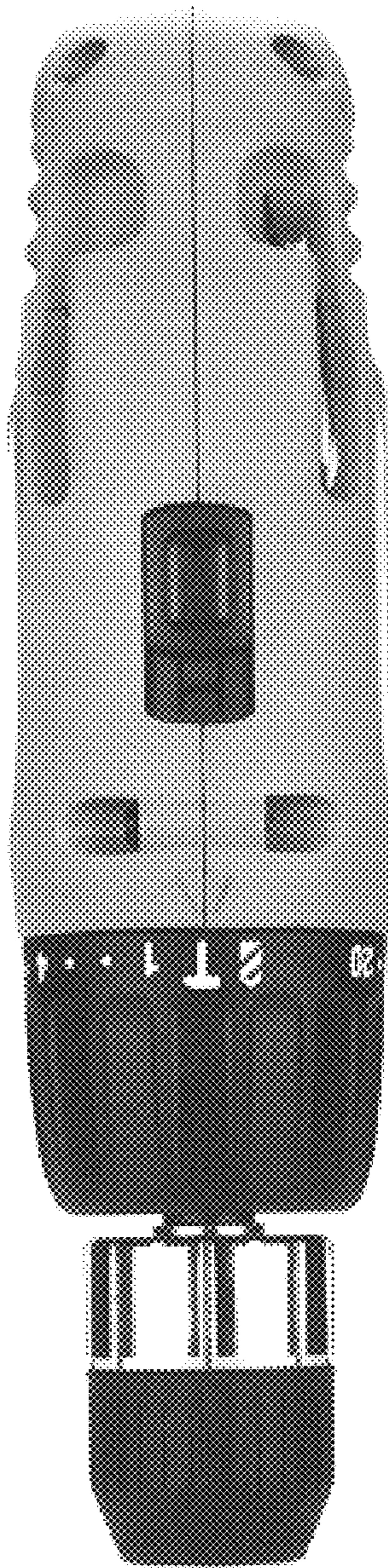


FIG. 42

