



US00D435405S

**United States Patent** [19]  
**Clark, Jr.**

[11] **Patent Number: Des. 435,405**

[45] **Date of Patent: \*\* Dec. 26, 2000**

[54] **STORAGE DEVICE FOR A GARDEN HOSE  
IN THE SHAPE OF A FROG**

D. 306,692 3/1990 Ferrero ..... D21/600 X  
D. 332,925 2/1993 Kucheran et al. .... D21/600 X

[75] Inventor: **Franklin T. Clark, Jr.**, Girard, Pa.

*Primary Examiner*—Holly Baynham  
*Attorney, Agent, or Firm*—Richard K. Thomson

[73] Assignee: **EMSCO Inc.**, Girard, Pa.

[\*\*] Term: **14 Years**

[57] **CLAIM**

[21] Appl. No.: **29/101,064**

The ornamental design for the storage device for a garden hose in the shape of a frog, as shown.

[22] Filed: **Feb. 24, 1999**

**DESCRIPTION**

[51] **LOC (7) Cl.** ..... **08-01**

FIG. 1 is a front perspective view;

[52] **U.S. Cl.** ..... **D8/1**

FIG. 2 is a side view;

[58] **Field of Search** ..... D11/44; D3/211,  
D3/315, 270, 223, 235; D21/600; 206/702,  
389; D9/310; D8/1

FIG. 3 is a front view;

FIG. 4 is a back view;

FIG. 5 is a top view; and,

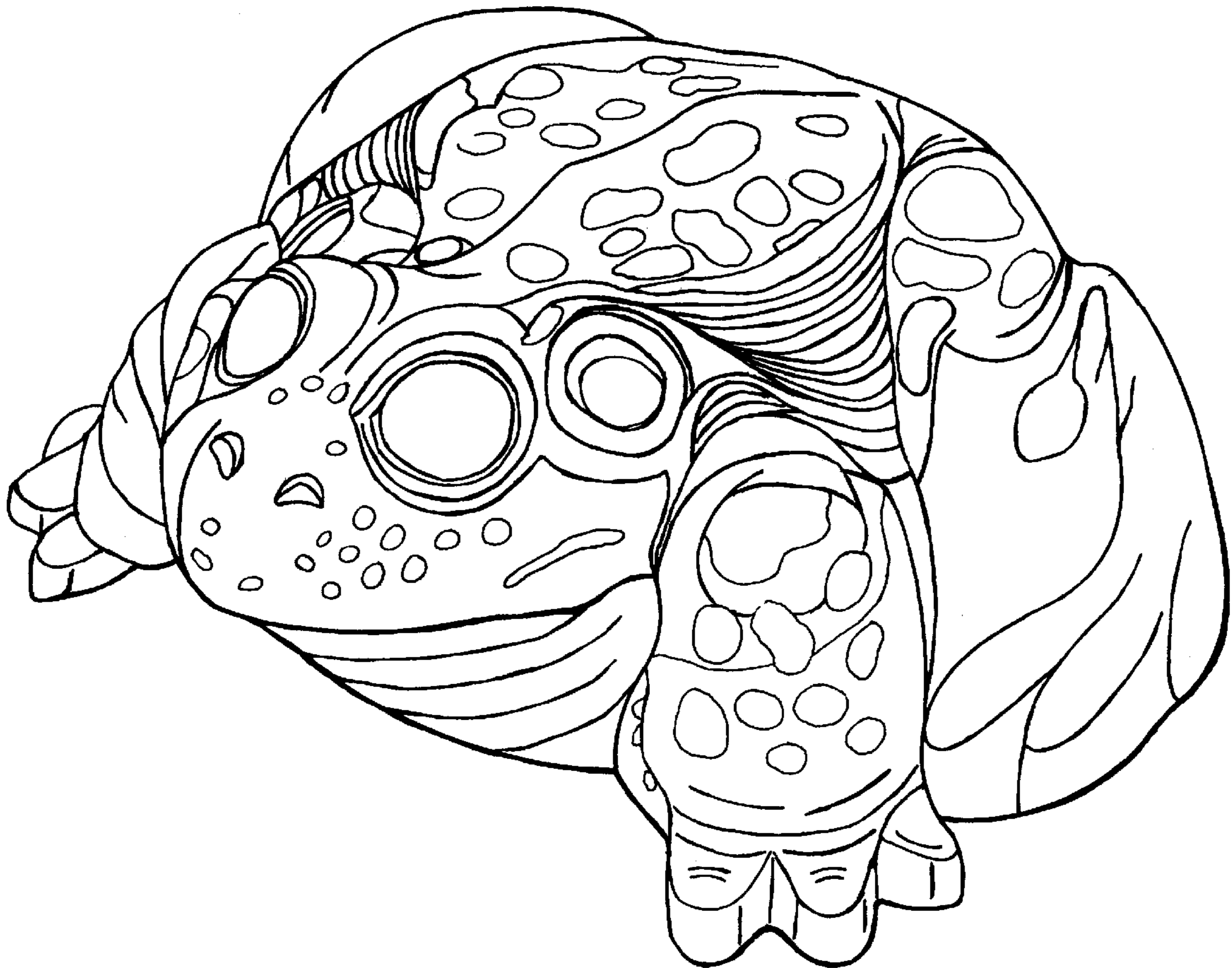
FIG. 6 is a bottom view.

[56] **References Cited**

**U.S. PATENT DOCUMENTS**

D. 283,337 4/1986 Wolfe ..... D21/600

**1 Claim, 6 Drawing Sheets**



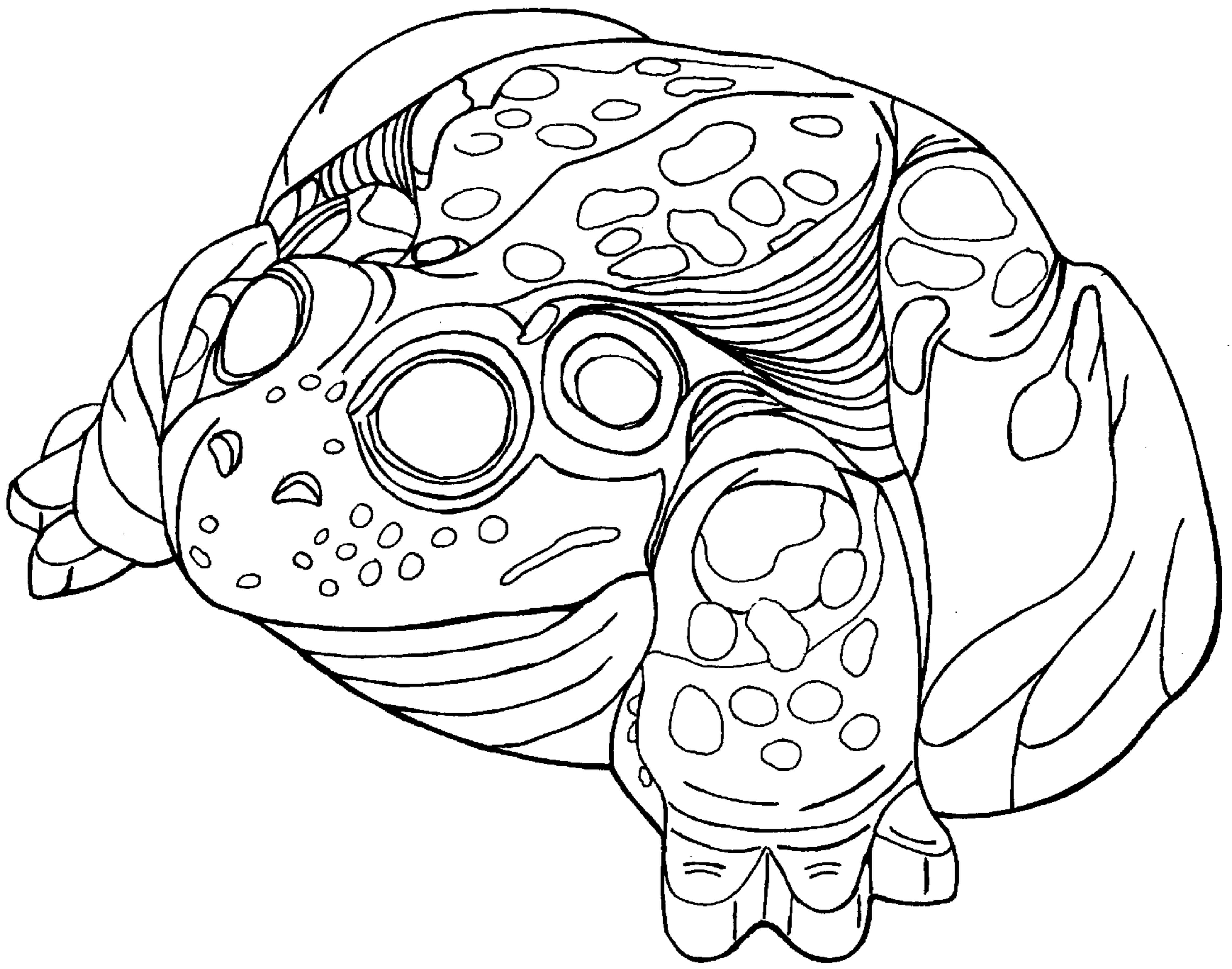


FIG. 1

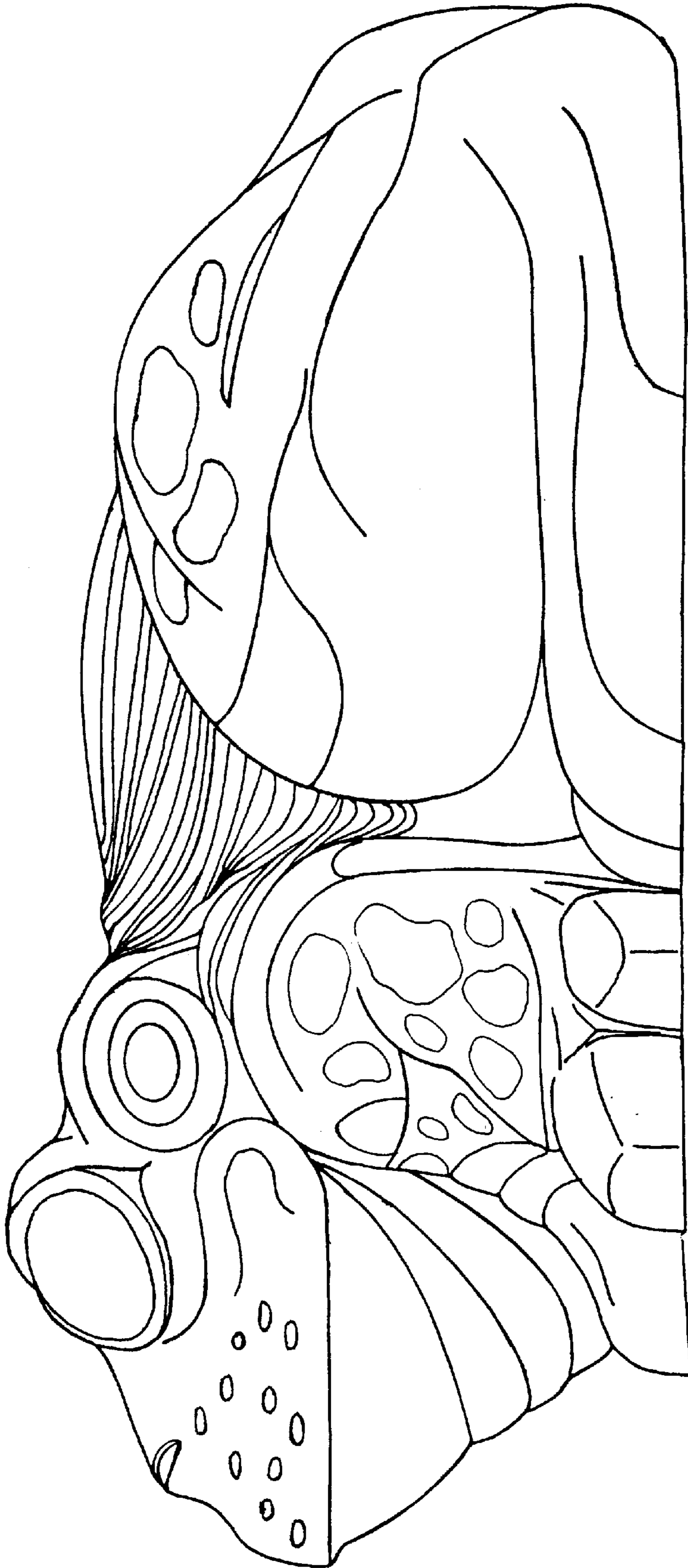


FIG. 2

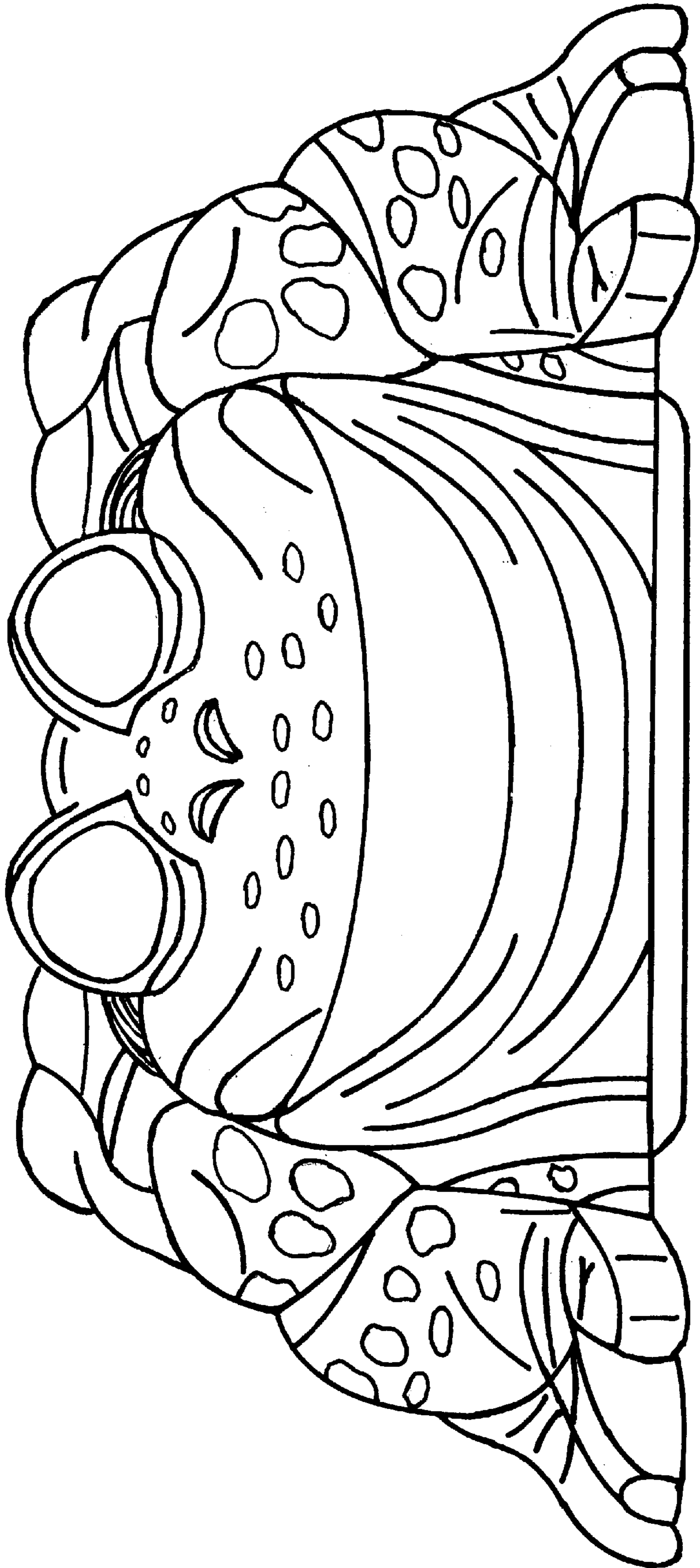


FIG. 3

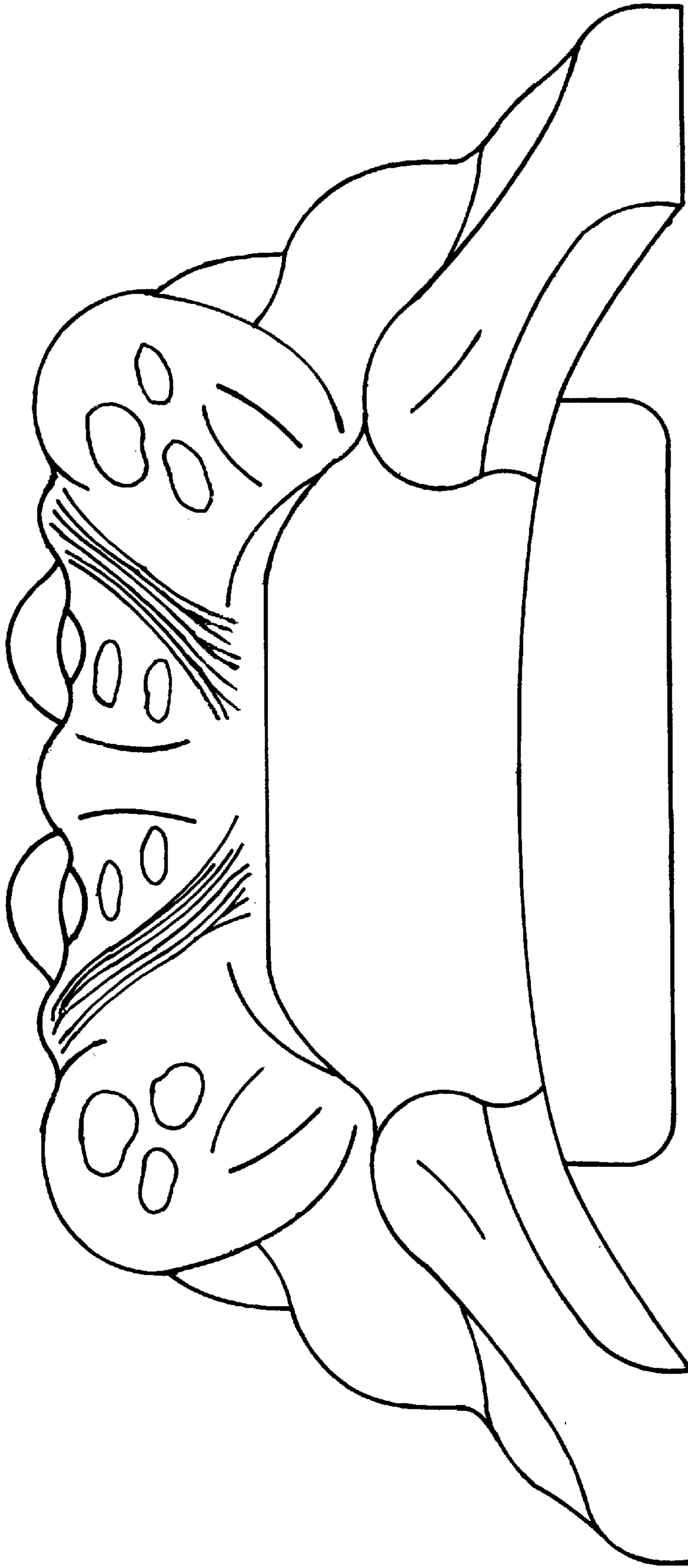


FIG. 4



FIG. 5

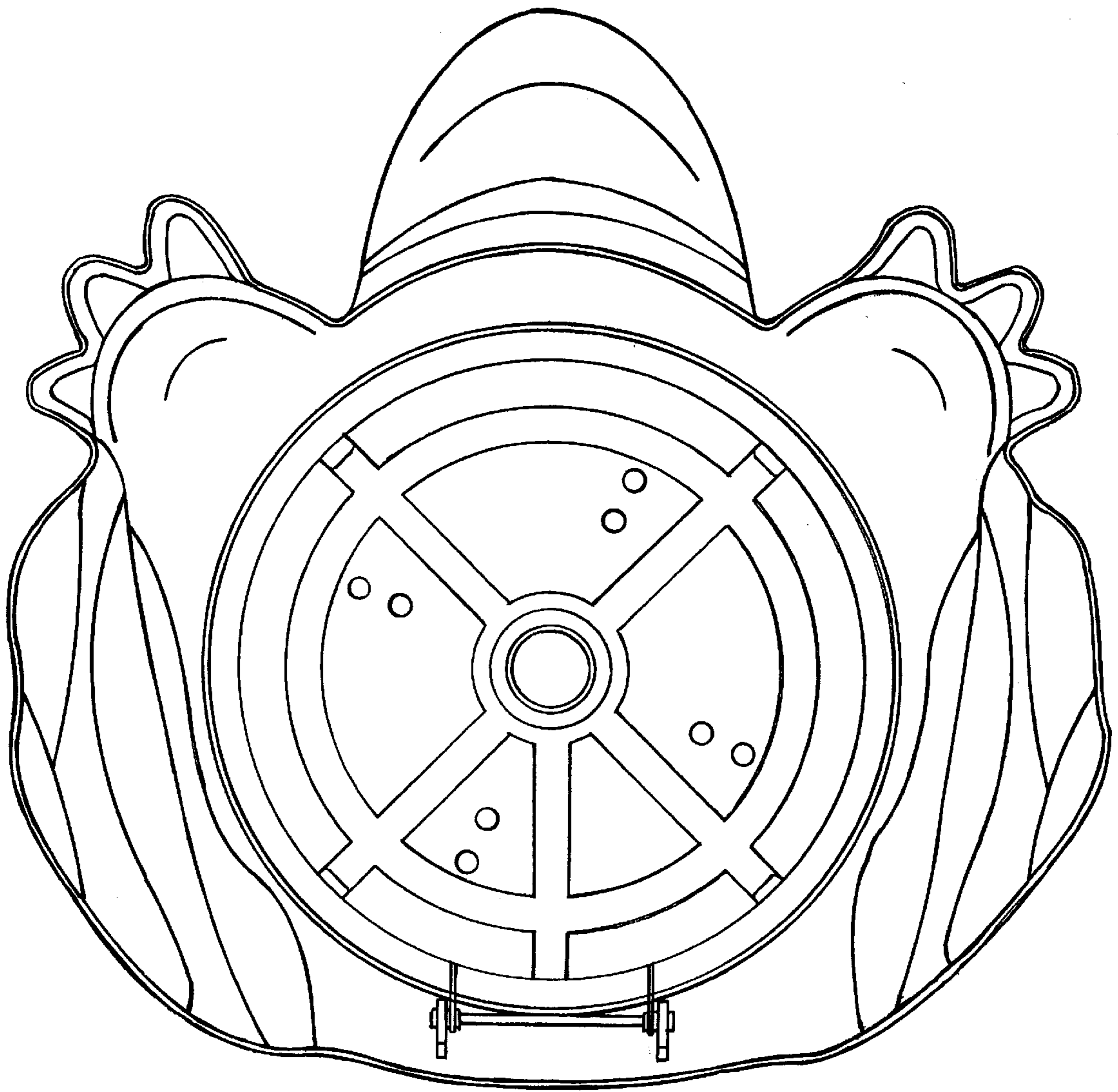


FIG. 6