



US00D435397S

United States Patent [19] Sung

[11] **Patent Number: Des. 435,397**

[45] **Date of Patent: ** Dec. 26, 2000**

[54] **BARBEQUE/UTILITY LIGHTER**

[76] Inventor: **Kil Yong Sung**, 1434 Atherton Cir., Fullerton, Calif. 92833

[**] Term: **14 Years**

[21] Appl. No.: **29/101,858**

[22] Filed: **Mar. 12, 1999**

[51] **LOC (7) Cl. 07-99**

[52] **U.S. Cl. D7/416**

[58] **Field of Search** D7/416, 417; D27/154, D27/131; 126/25 B, 409; 417/411, 234; 431/13, 255

[56] **References Cited**

U.S. PATENT DOCUMENTS

D. 327,813	7/1992	Shike et al.	D7/416
D. 354,196	1/1995	Inoue	D7/416
D. 360,557	7/1995	Ono et al.	D7/416
D. 379,415	5/1997	Mindle	D7/416
D. 386,045	11/1997	Ferrara, Jr.	D7/416

D. 390,749	2/1998	Ferrara, Jr.	D7/416
D. 406,010	2/1999	Tubby et al.	D7/416
4,810,173	3/1989	Thompson et al.	D7/416 X
5,326,256	7/1994	Shike et al.	431/255

Primary Examiner—M. N. Pandozzi
Attorney, Agent, or Firm—Trojan Law Offices

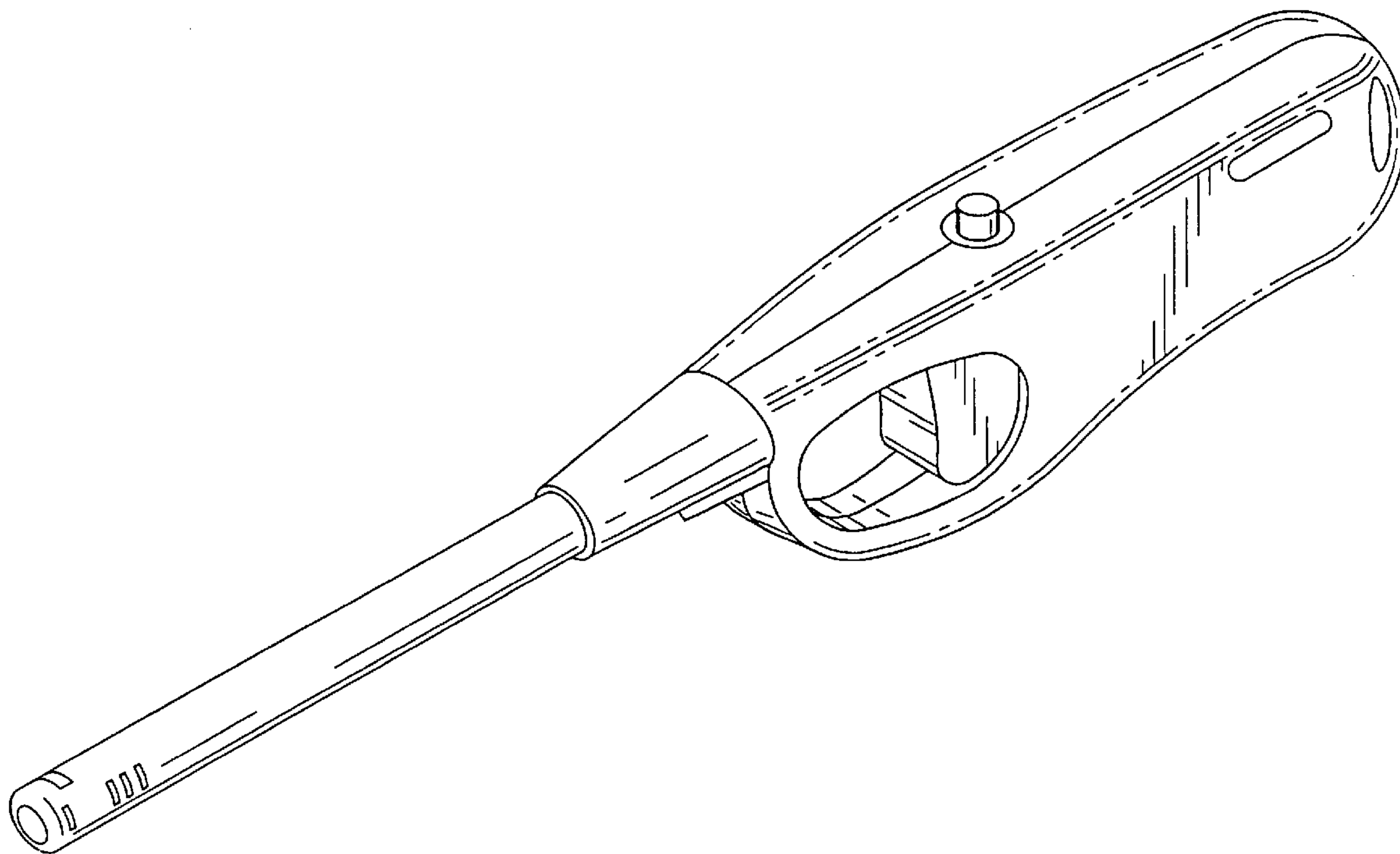
[57] **CLAIM**

The ornamental design for a barbeque/utility lighter, as shown and described.

DESCRIPTION

FIG. 1 is a perspective, elevational view of a design for a barbeque/utility lighter, showing my new design; FIG. 2 is a left side elevational view thereof; FIG. 3 is a right side elevational view thereof; FIG. 4 is a top plan view thereof; FIG. 5 is a bottom plan view thereof; FIG. 6 is a front elevational view thereof; and, FIG. 7 is a rear elevational view thereof.

1 Claim, 2 Drawing Sheets



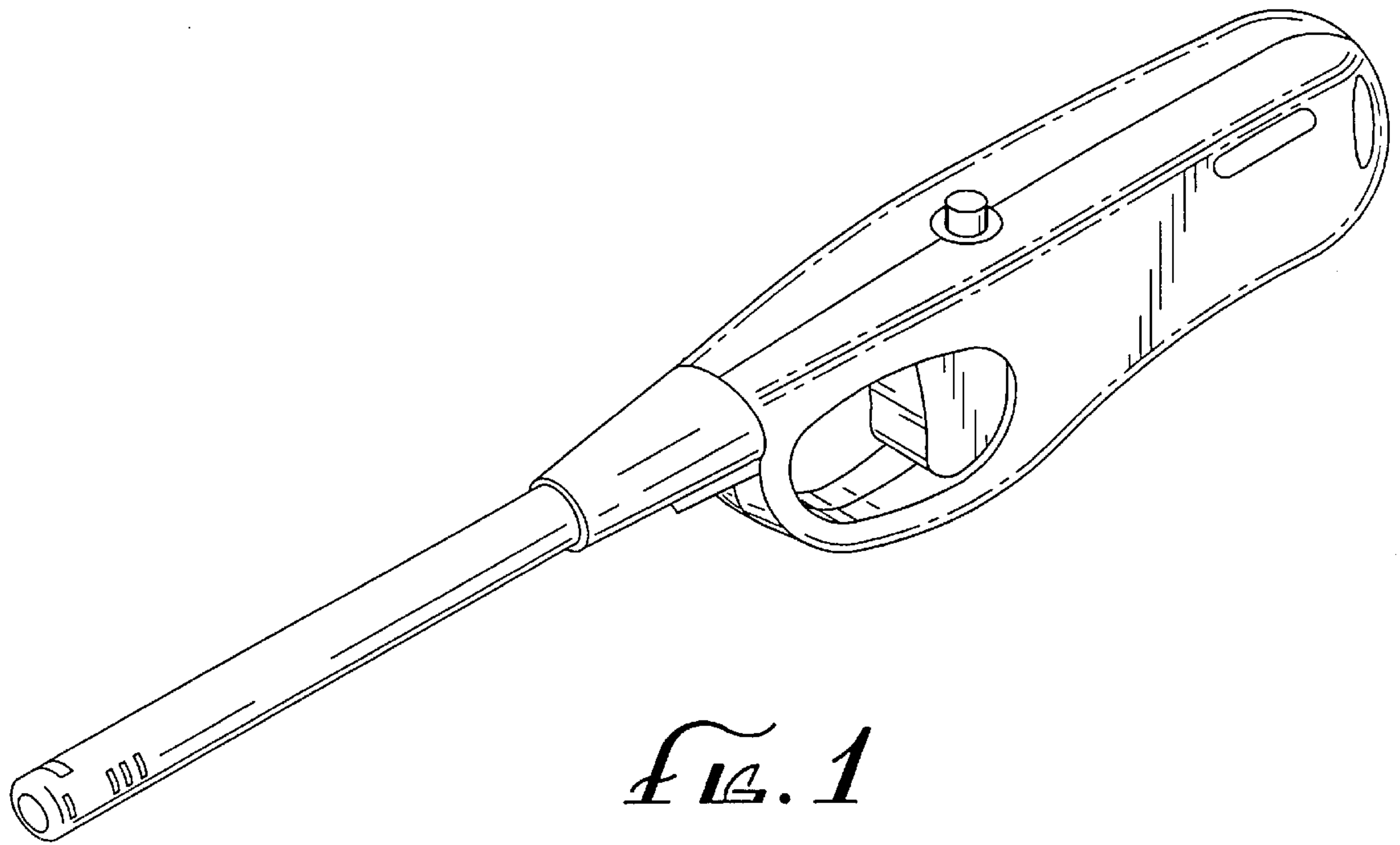


FIG. 1

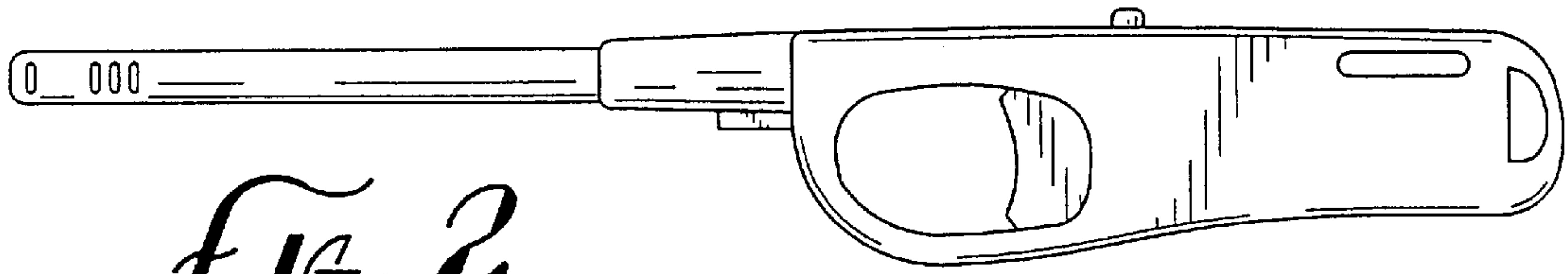


FIG. 2

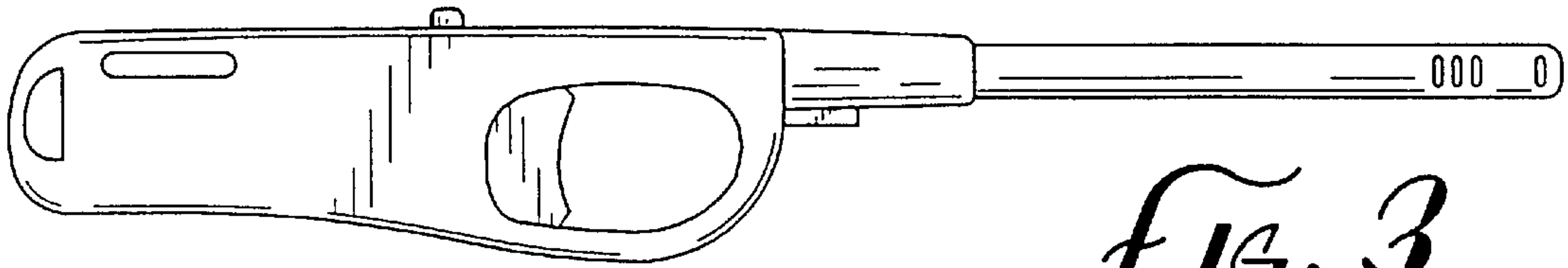


FIG. 3

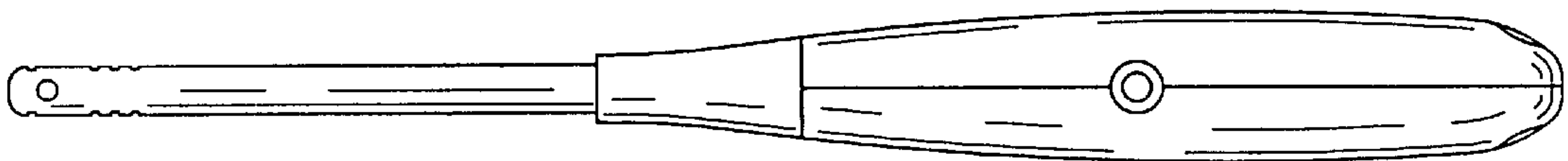


FIG. 4

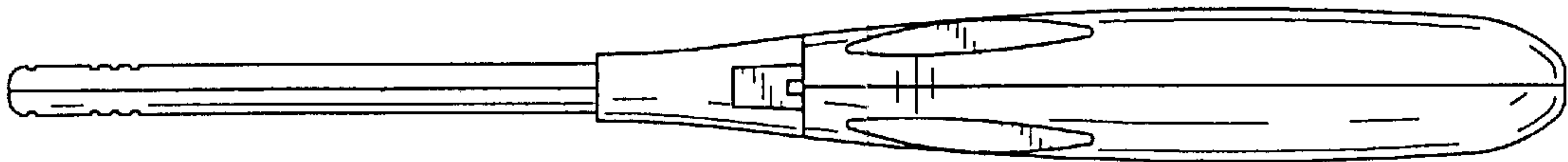


FIG. 5

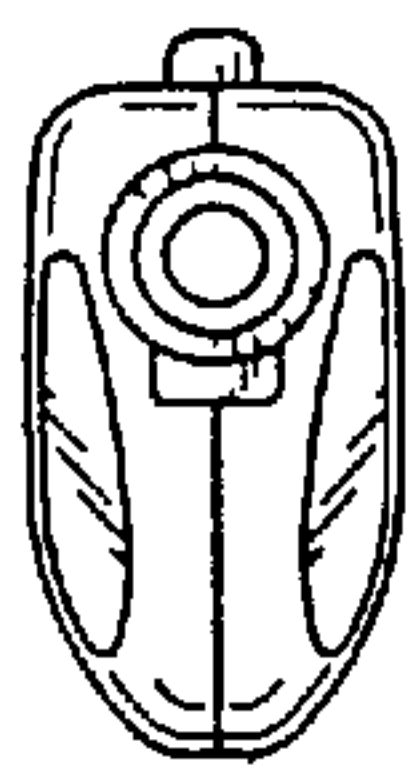


FIG. 6



FIG. 7