



US00D435396S

United States Patent [19]

Wagner

[11] Patent Number: Des. 435,396

[45] Date of Patent: ** Dec. 26, 2000

[54] BARBECUE GRILL SIDE SHELF FOR
SIDEBURNERS

[75] Inventor: Wesley J. Wagner, Columbus, Ga.

[73] Assignee: W. C. Bradley Company, Columbus,
Ga.

[**] Term: 14 Years

[21] Appl. No.: 29/109,242

[22] Filed: Aug. 11, 1999

[51] LOC (7) Cl. 07-02

[52] U.S. Cl. D7/402

[58] Field of Search D7/331-337, 402-403;
126/25 R, 25 A, 25 AA, 9 R, 29-30, 39 R,
41 R; 99/419, 421 R

[56] **References Cited**

U.S. PATENT DOCUMENTS

D. 361,466	8/1995	Peterson et al.	D7/334
D. 377,734	2/1997	Bird et al.	D7/402
D. 377,735	2/1997	Craven	D7/406
D. 395,979	7/1998	Picozza et al.	D7/334

D. 406,488	3/1999	Bates et al.	D7/334
D. 413,043	8/1999	Wagner et al.	D7/406
D. 413,229	8/1999	Hopkins et al.	D7/406
D. 416,441	11/1999	Wagner et al.	D7/406
D. 417,588	12/1999	Wagner et al.	D7/406
D. 423,274	4/2000	Coleman et al.	D7/334
5,694,917	12/1997	Giebel et al.	126/41 R

Primary Examiner—Ruth McInroy
Attorney, Agent, or Firm—James W. Kayden; Thomas,
Kayden, Horstemeyer & Risley

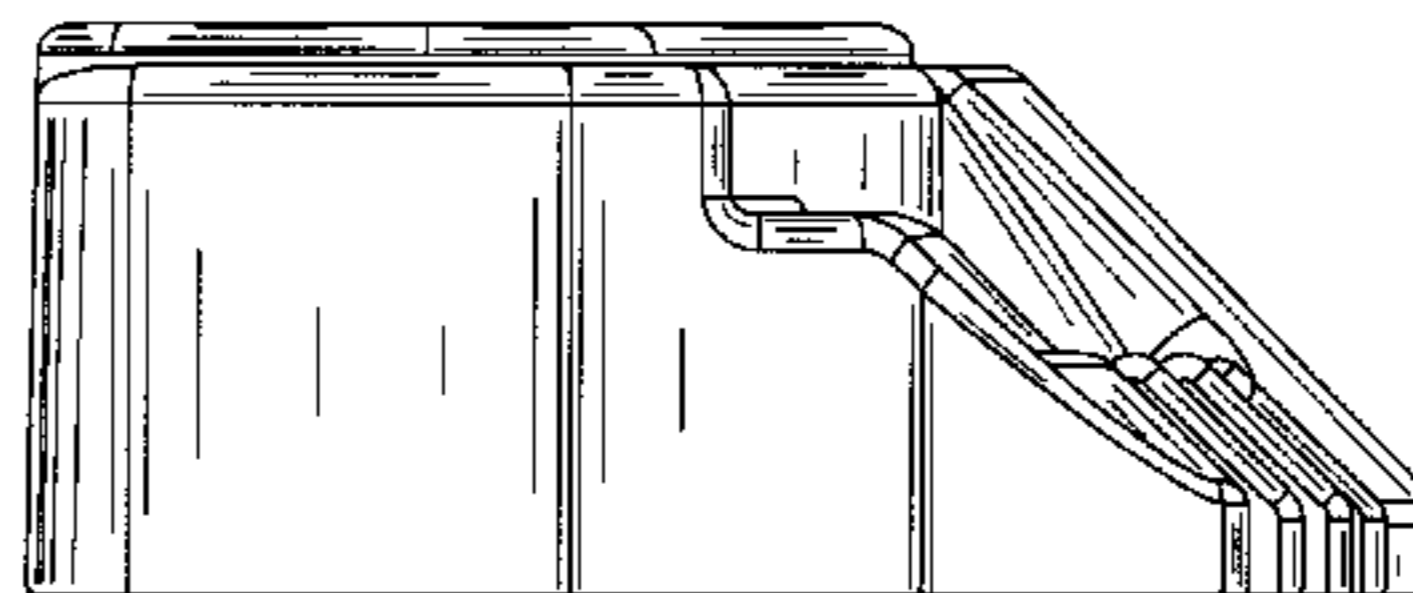
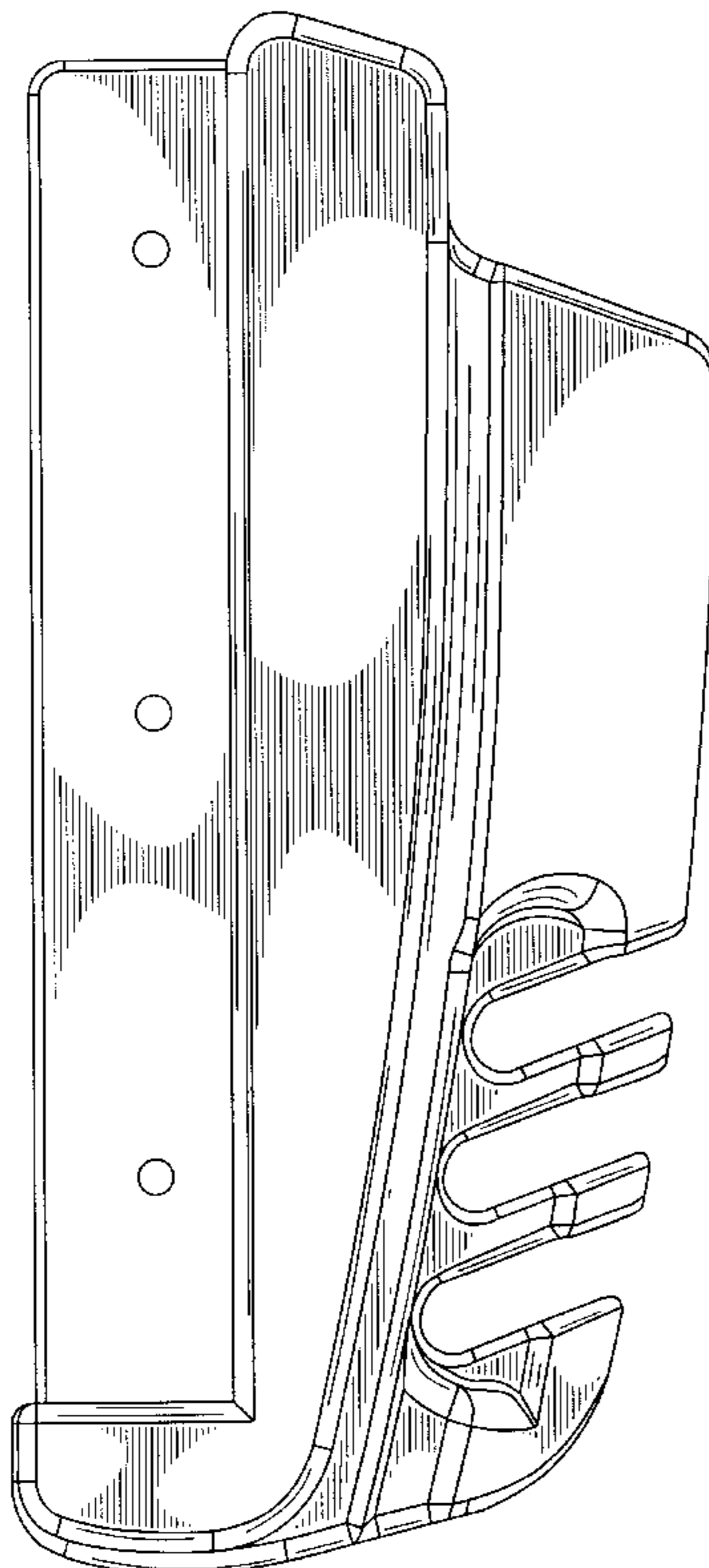
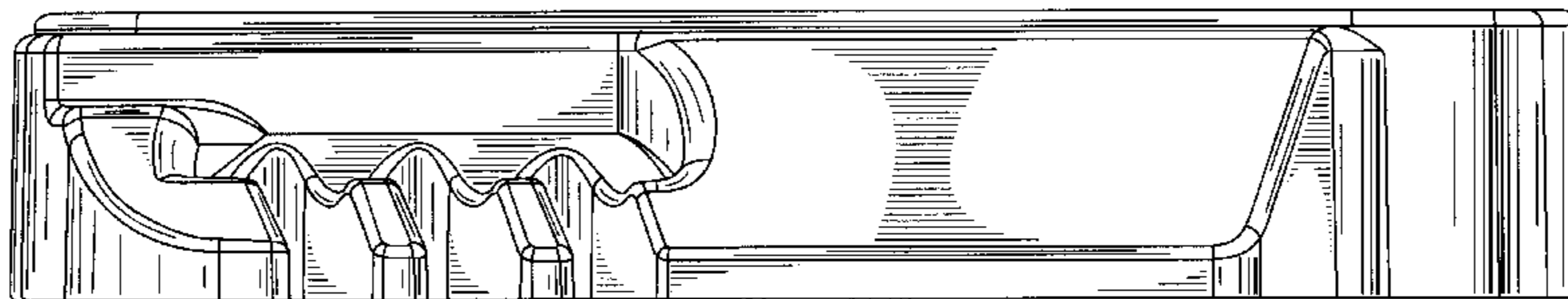
[57] **CLAIM**

The ornamental design of a barbecue grill side shelf for sideburners, as shown and described.

DESCRIPTION

FIG. 1 is a left side elevational view of a barbecue grill side shelf for sideburners showing our new design; FIG. 2 is a right side elevational view thereof; FIG. 3 is a top plan view thereof; FIG. 4 is a bottom plan view thereof; FIG. 5 is a front elevational view thereof; and, FIG. 6 is a rear elevational view thereof.

1 Claim, 4 Drawing Sheets



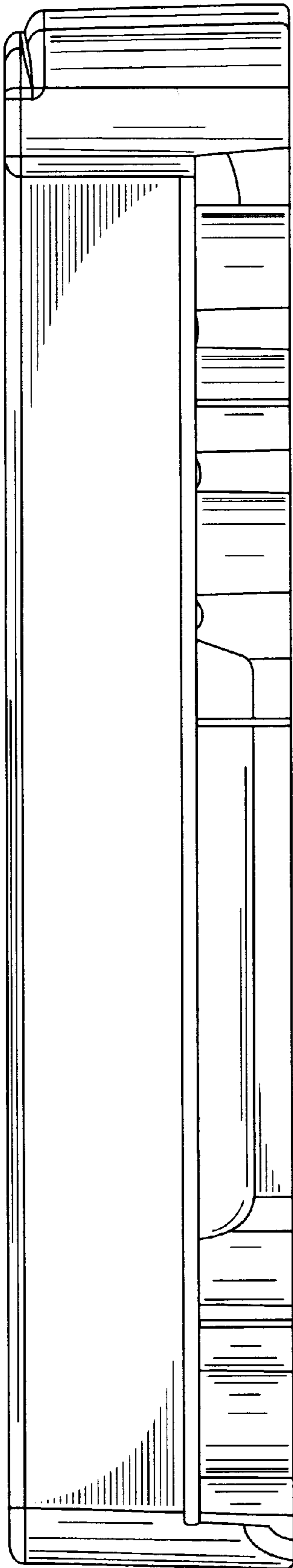


Fig. 1

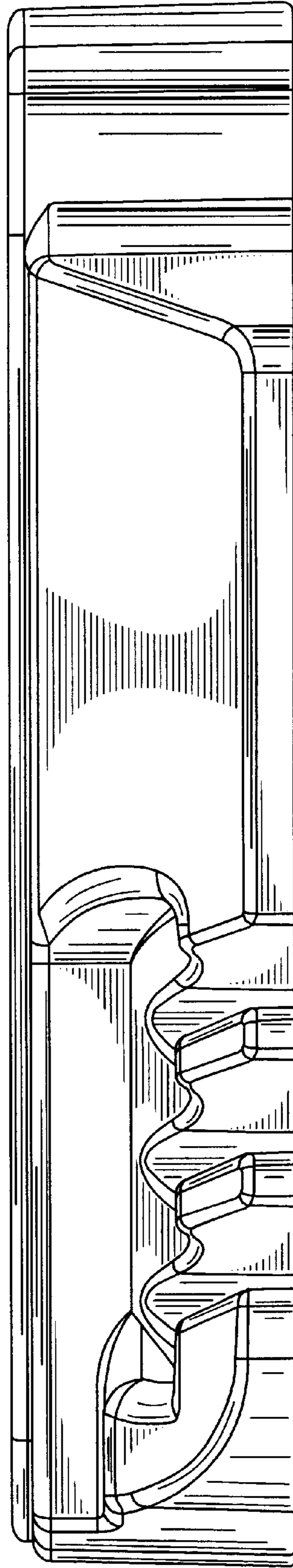


Fig. 2

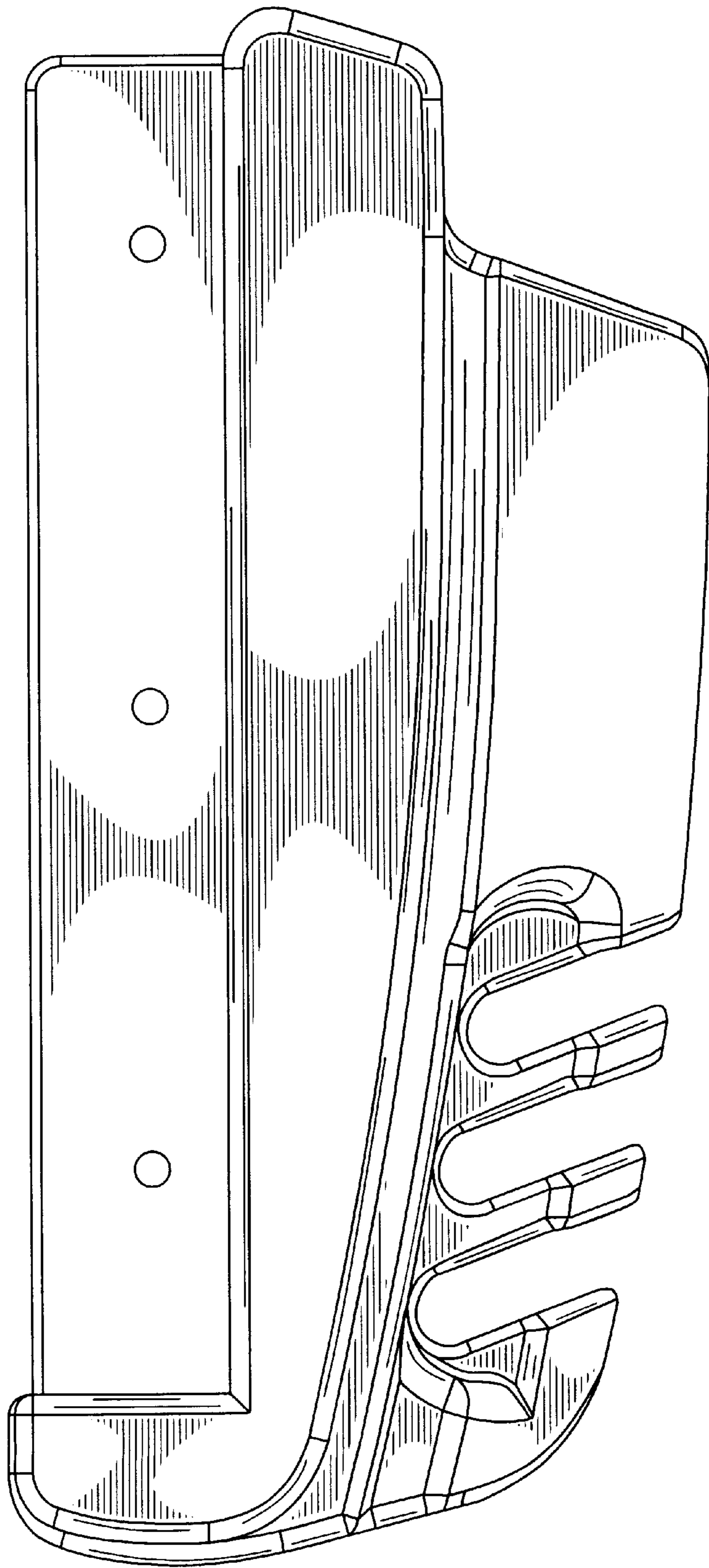


Fig. 3

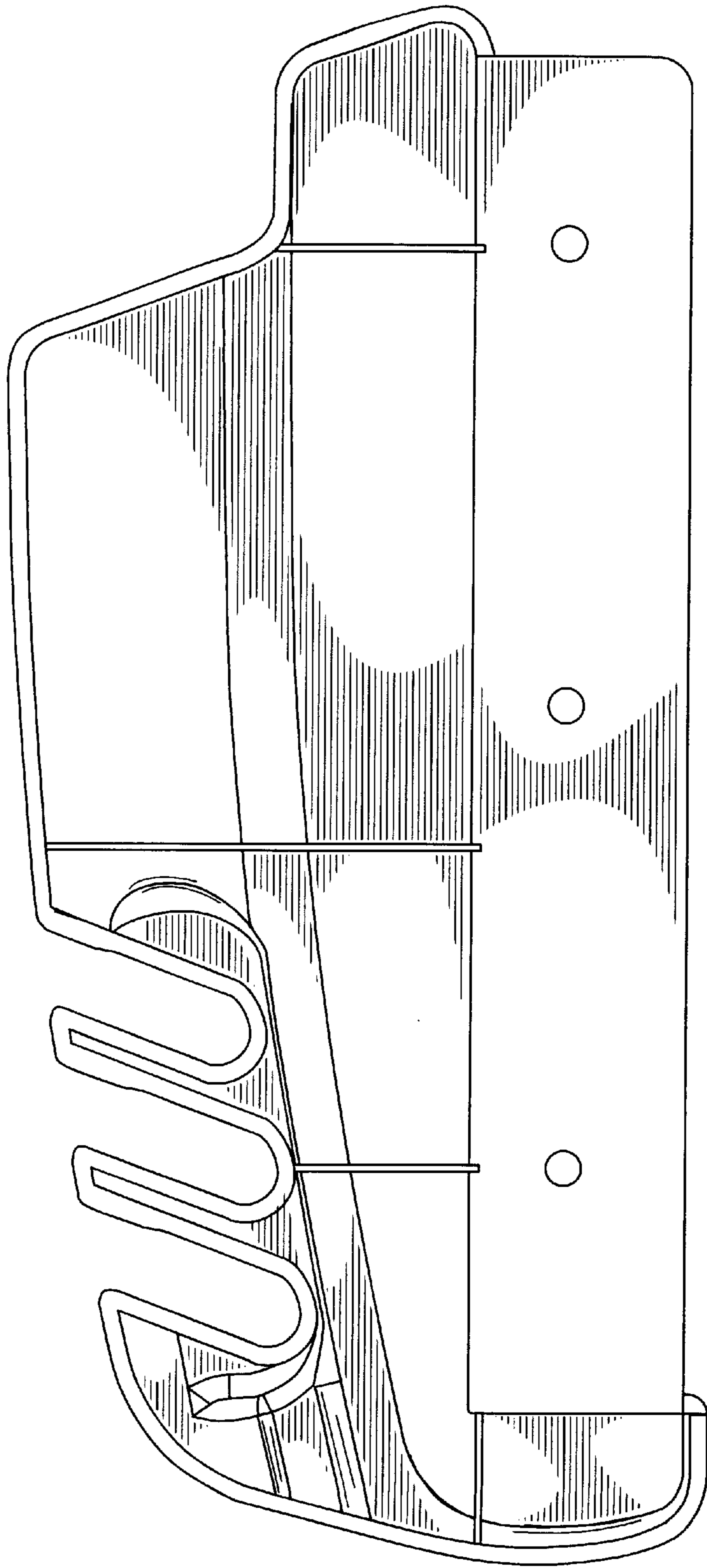


Fig. 4

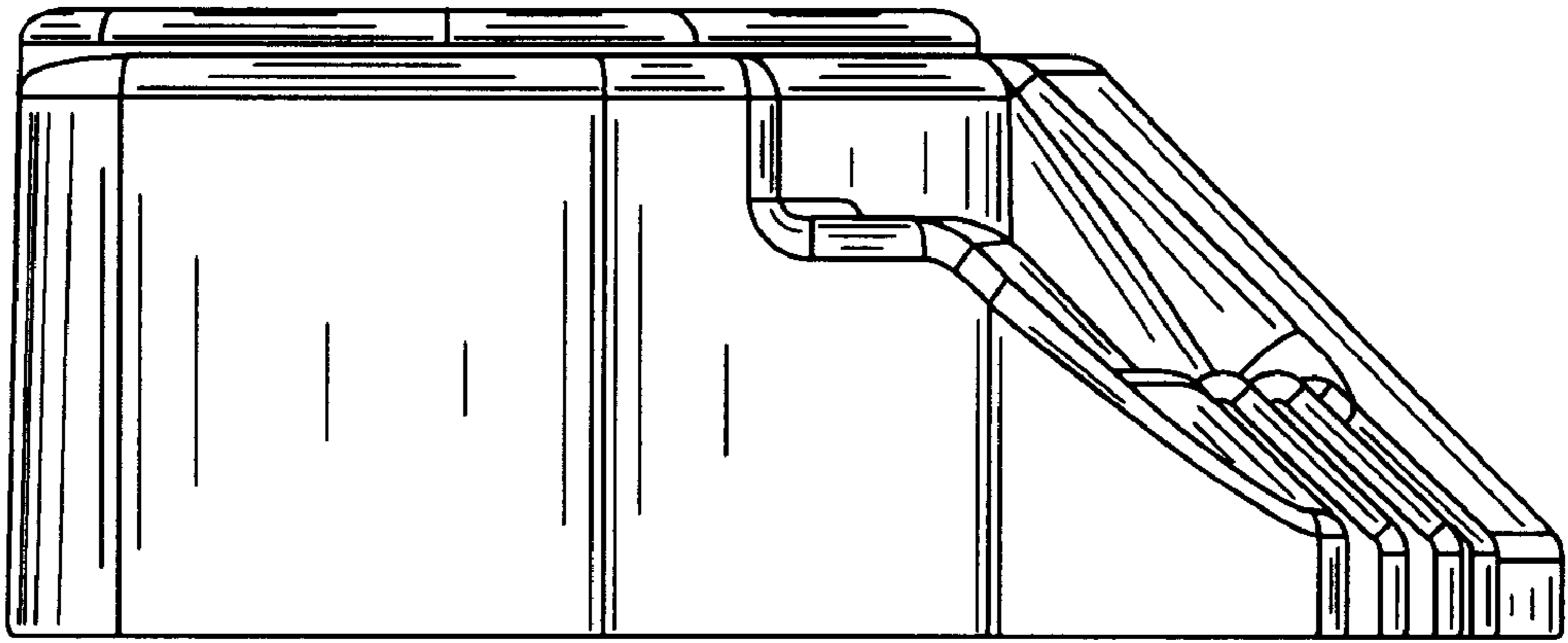


Fig. 5

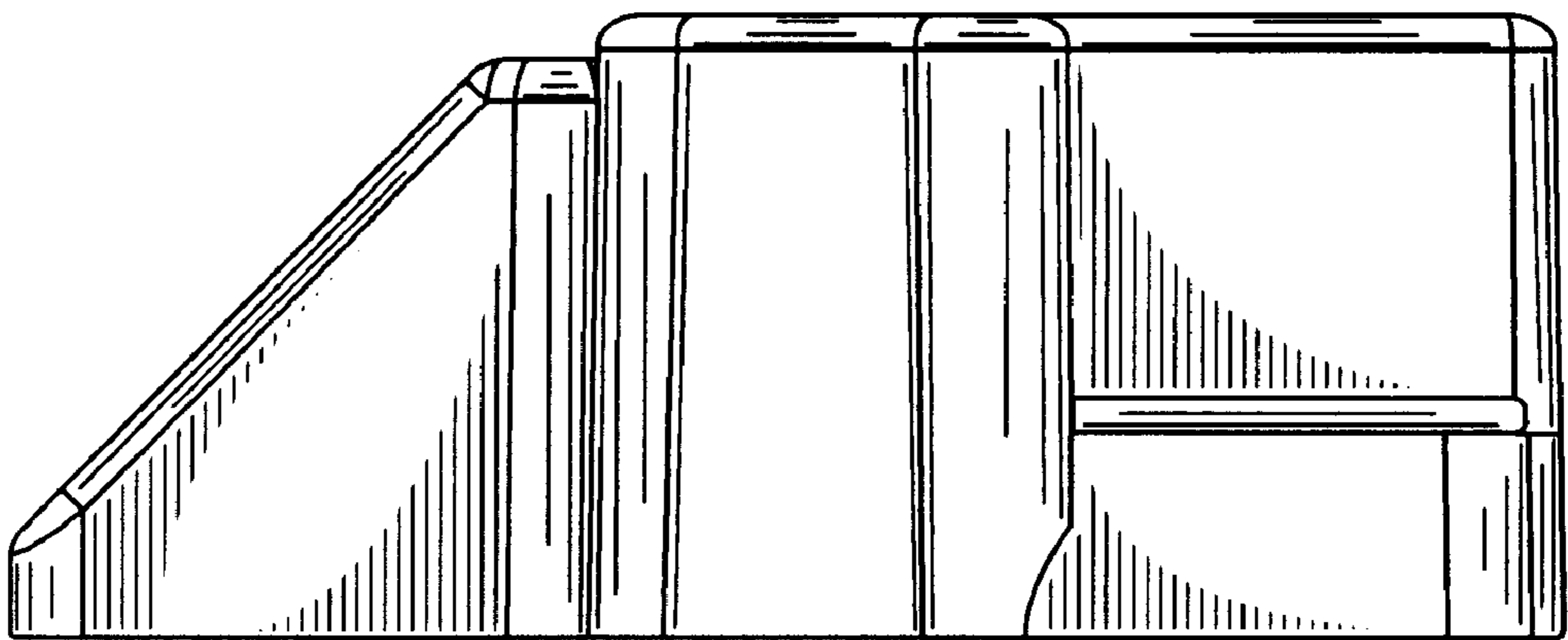


Fig. 6