



US00D435395S

# United States Patent [19] Takabu

[11] Patent Number: Des. 435,395

[45] Date of Patent: \*\* Dec. 26, 2000

[54] SPOON BOWL

[75] Inventor: Atsushi Takabu, Kanagawa, Japan

[73] Assignee: Kabushiki Kaisha Leben, Kanagawa, Japan

[\*\*] Term: 14 Years

[21] Appl. No.: 29/121,774

[22] Filed: Apr. 13, 2000

### [30] Foreign Application Priority Data

Oct. 27, 1999 [JP] Japan ..... 11-29289

[51] LOC (7) Cl. .... 07-03

[52] U.S. Cl. .... D7/401.2

[58] Field of Search ..... D7/401.2, 642,  
D7/645, 648, 653, 662-664, 688; 30/324,  
327

### [56] References Cited

#### U.S. PATENT DOCUMENTS

D. 168,335	12/1952	Cosby	.....	D7/663
D. 180,328	5/1957	Highberger	.....	D7/663
D. 186,126	9/1959	Burford	.....	D7/663
D. 294,553	3/1988	Jagger	.....	D7/663
D. 304,540	11/1989	Howard et al.	.....	D7/663
D. 318,401	7/1991	Beaumont	.....	D7/648
2,576,388	11/1951	Clafin	.....	30/327

Primary Examiner—Caron D. Veynar  
Attorney, Agent, or Firm—Fay, Sharpe, Fagan, Minnich & McKee, LLP

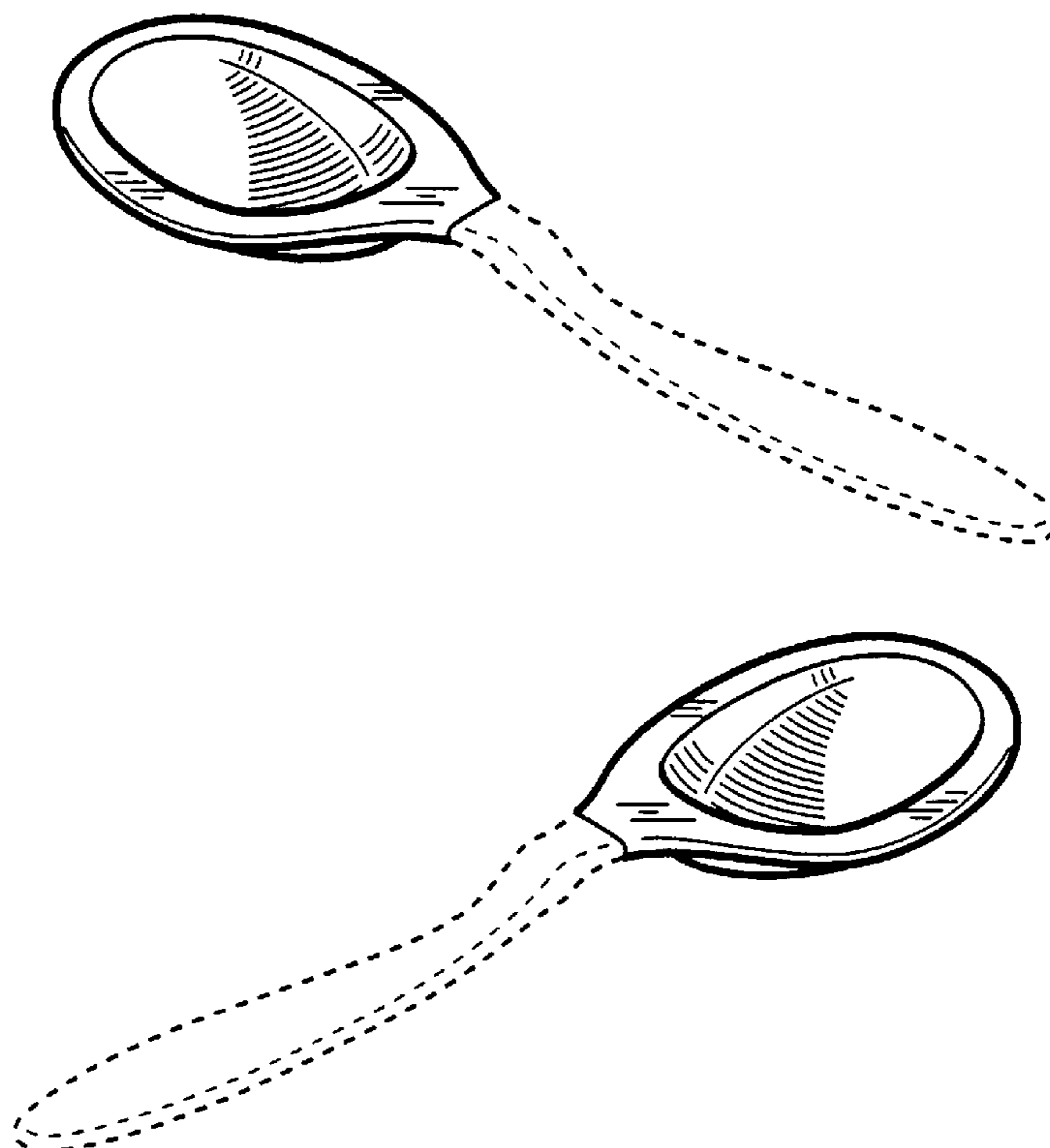
### [57] CLAIM

The ornamental design for a spoon bowl, as shown and described.

### DESCRIPTION

FIG. 1 is a top plan view of a spoon bowl showing my new design;  
 FIG. 2 is a front elevational view of FIG. 1;  
 FIG. 3 is a bottom plan view of FIG. 1;  
 FIG. 4 is a rear elevational view of FIG. 1;  
 FIG. 5 is a left side elevational view of FIG. 1;  
 FIG. 6 is a right side elevational view of FIG. 1;  
 FIG. 7 is a sectional view of FIG. 1 taken along the line 7—7;  
 FIG. 8 is a sectional view of FIG. 1 taken along the line 8—8;  
 FIG. 9 is a perspective view of the spoon bowl of FIG. 1;  
 FIG. 10 is a top plan view of another embodiment of FIG. 1;  
 FIG. 11 is a front elevational view of FIG. 10;  
 FIG. 12 is a bottom plan view of FIG. 10;  
 FIG. 13 is a rear elevational view of FIG. 10;  
 FIG. 14 is a left side elevational view of FIG. 10;  
 FIG. 15 is a right side elevational view of FIG. 10;  
 FIG. 16 is a sectional view of FIG. 10 taken along the line 16—16;  
 FIG. 17 is a sectional view of FIG. 10 taken along the line 17—17; and,  
 FIG. 18 is a perspective view of the spoon bowl of FIG. 10.  
 The broken line showings in FIGS. 1-7, 9-16 and 18 are for illustrative purposes only and form no part of the claimed design.

1 Claim, 6 Drawing Sheets



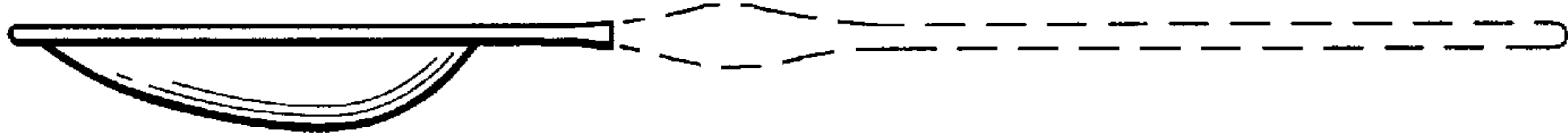
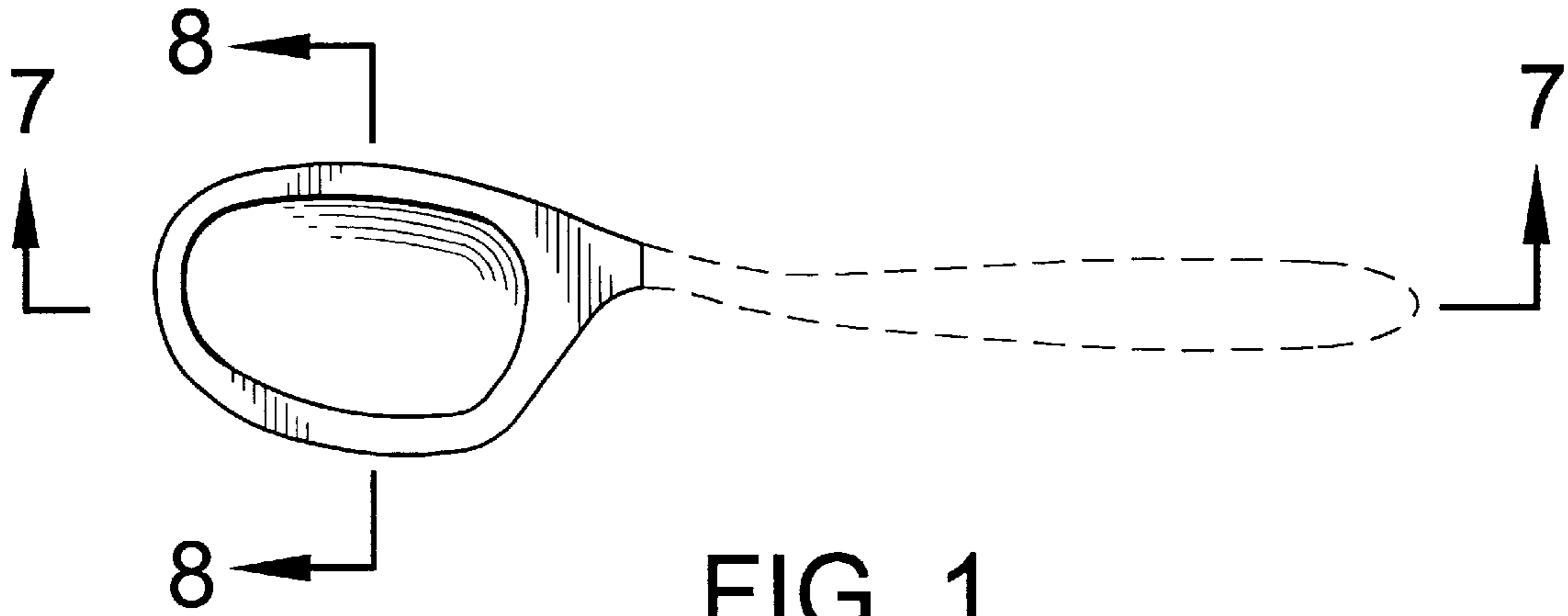


FIG. 2

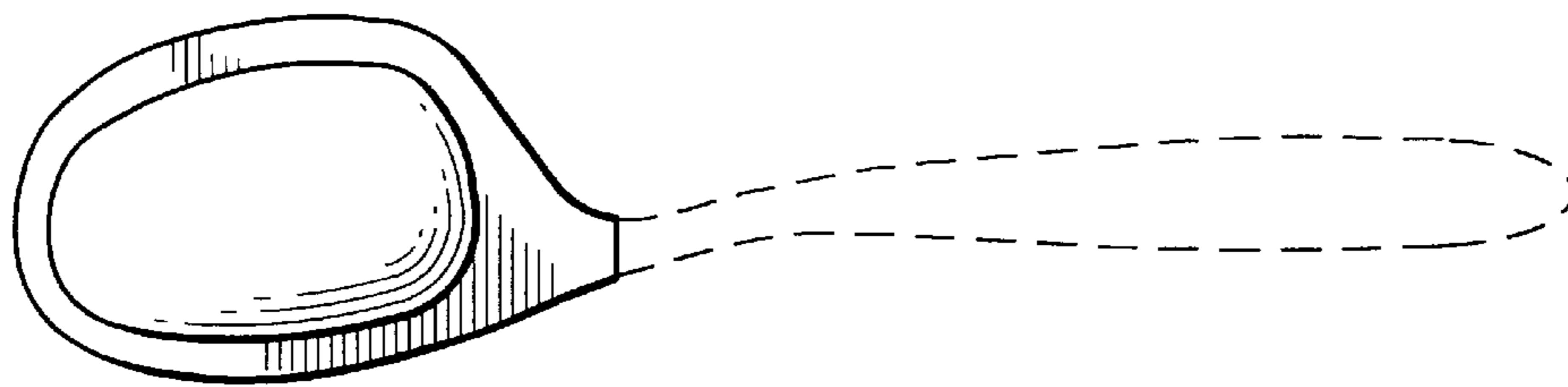


FIG. 3

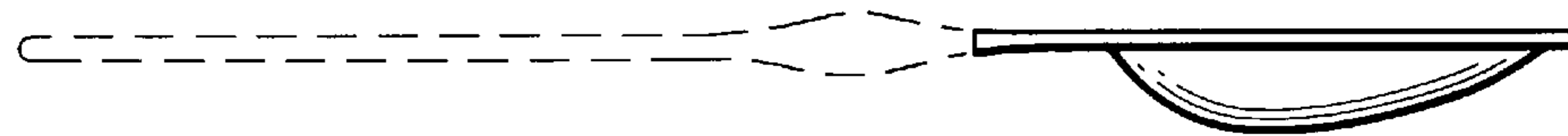


FIG. 4

FIG. 5



FIG. 6



FIG. 7

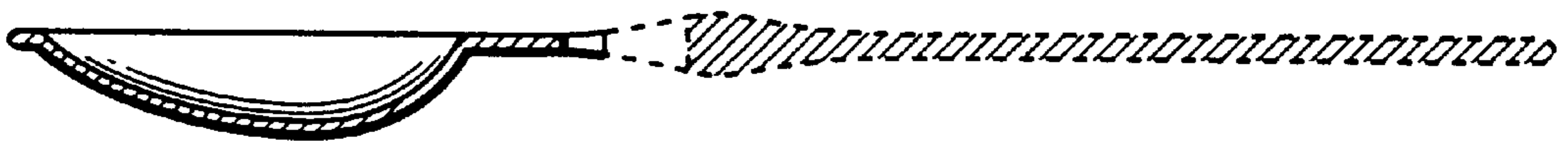
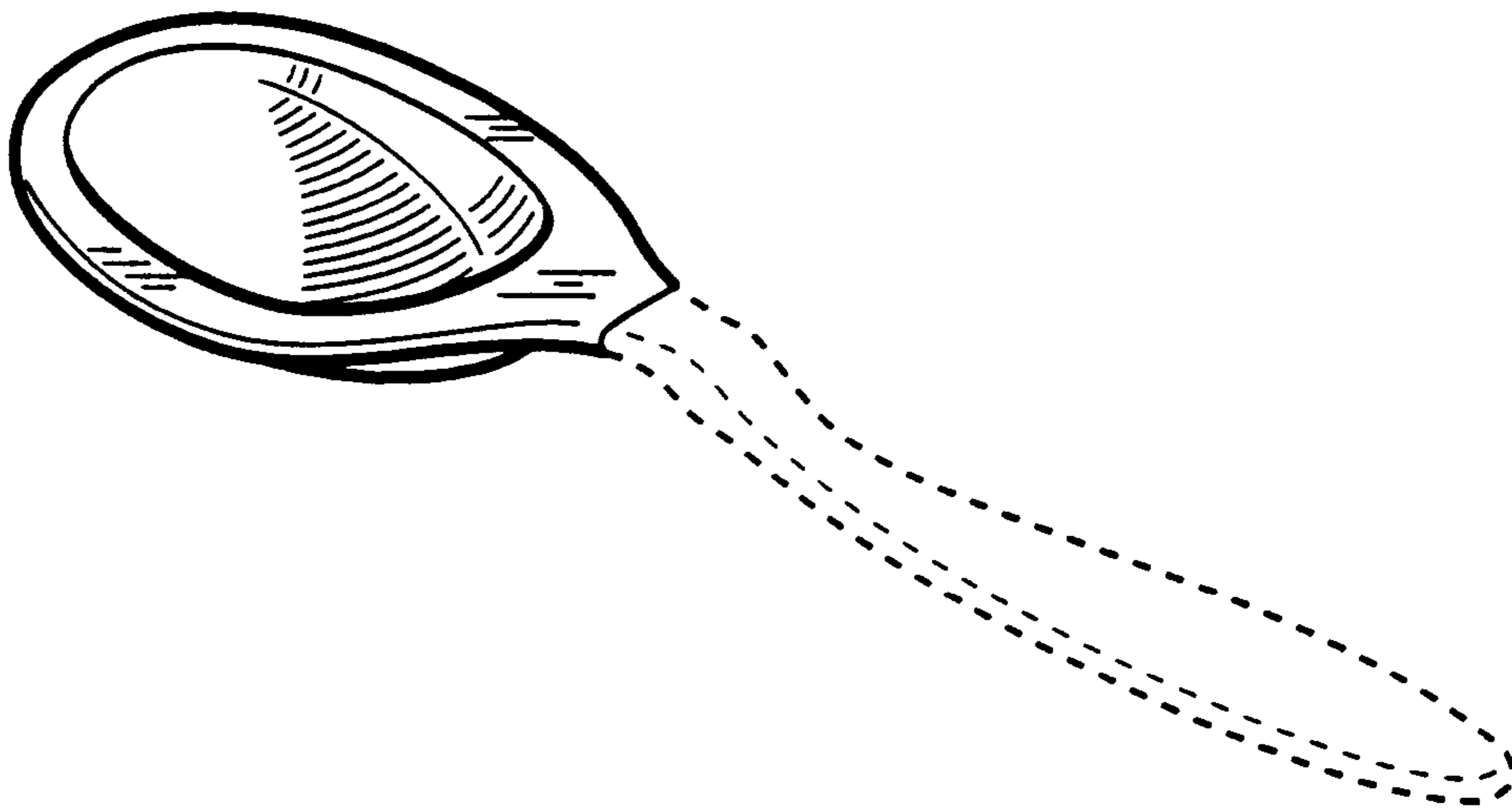


FIG. 8



FIG. 9



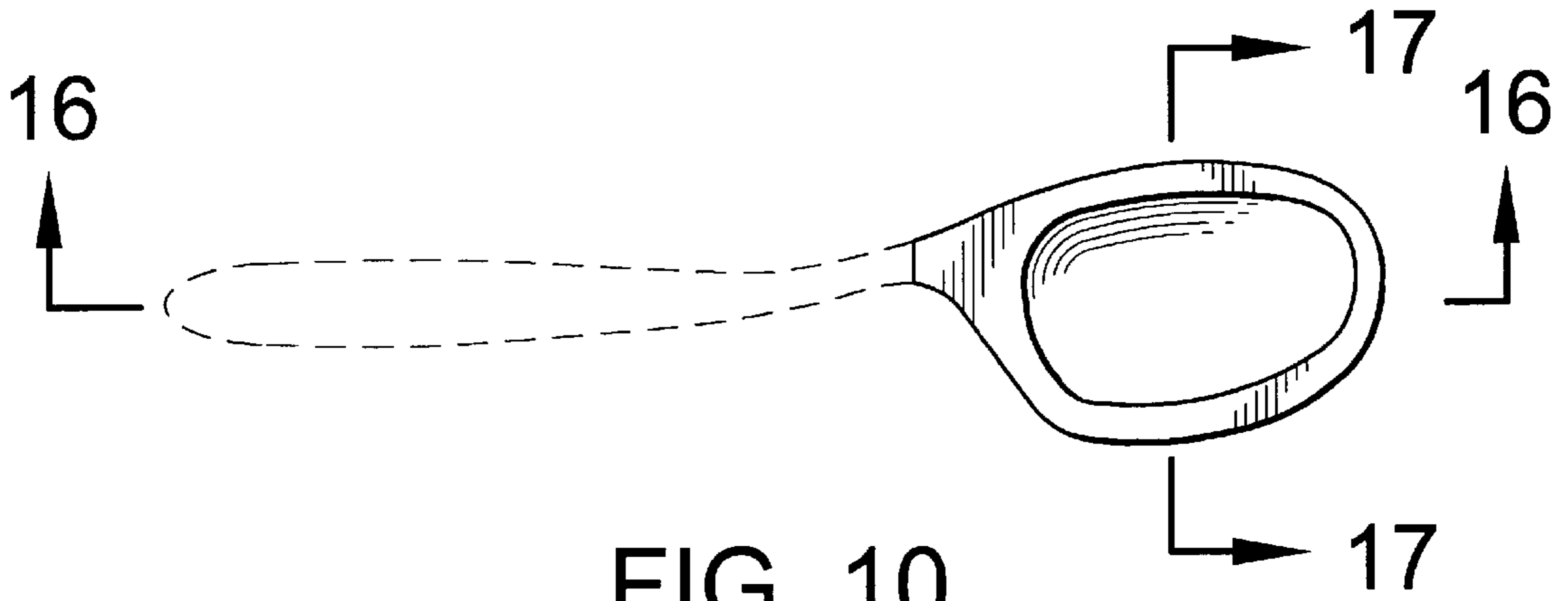


FIG. 10

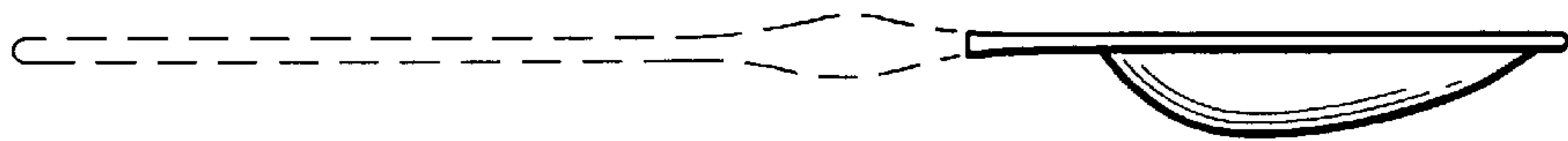


FIG. 11

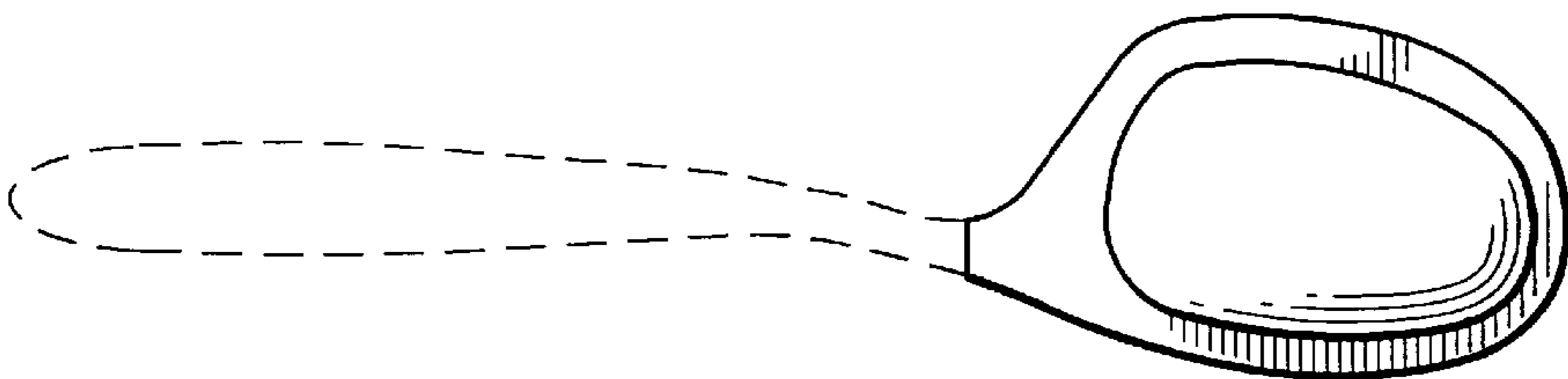


FIG. 12

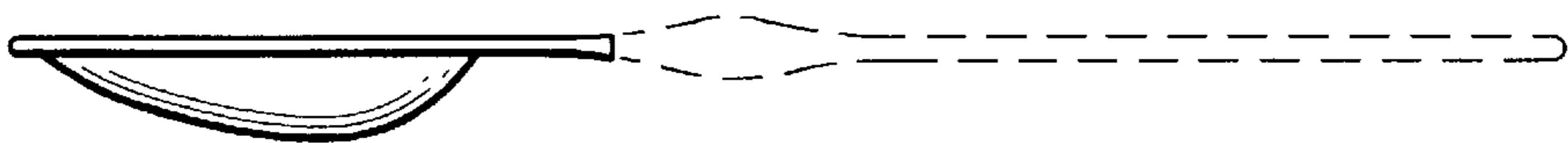


FIG. 13

FIG. 14

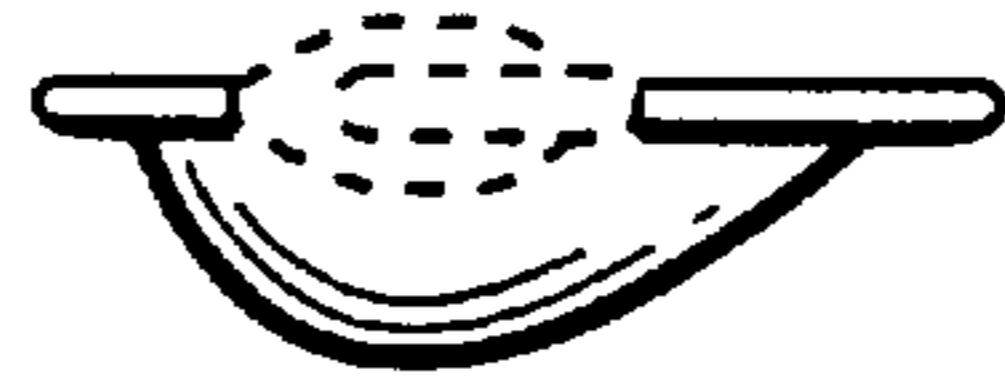


FIG. 15



FIG. 16

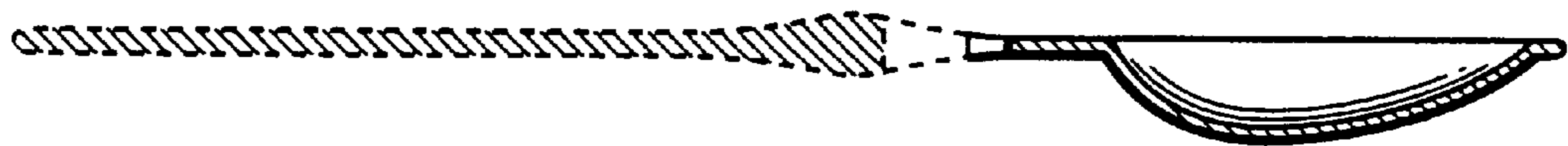


FIG. 17



FIG. 18

