



US00D435390S

**United States Patent** [19]  
**Mittmann**

[11] **Patent Number: Des. 435,390**

[45] **Date of Patent: \*\* Dec. 26, 2000**

[54] **PAN CORNER**

[75] Inventor: **Jeffrey C. Mittmann**, Plymouth, Wis.

[73] Assignee: **The Vollrath Company, L.L.C.**,  
Sheboygan, Wis.

[\*\*] Term: **14 Years**

[21] Appl. No.: **29/108,839**

[22] Filed: **Aug. 4, 1999**

**Related U.S. Application Data**

[62] Division of application No. 29/085,301, Mar. 19, 1998.

[51] **LOC (7) Cl.** ..... **07-02**

[52] **U.S. Cl.** ..... **D7/354**

[58] **Field of Search** ..... D7/354-361; D8/18,  
D8/34; D9/345, 415, 423-426, 434, 435;  
206/216, 427, 459.5, 508, 515, 518, 564,  
592, 593; 220/4.21, 200, 212, 309.1, 309.2,  
256, 380, 780-788, 790, 801, 912; 229/406

[56] **References Cited**

**U.S. PATENT DOCUMENTS**

- D. 191,565 10/1961 Wolf et al. .
- D. 202,964 11/1965 Benes et al. .
- D. 277,993 3/1985 Sinchok .
- D. 282,520 2/1986 Schrage .
- D. 291,526 8/1987 Heaney et al. .
- D. 365,273 12/1995 Indekeu ..... D9/434
- D. 387,986 12/1997 Hayes et al. .... D9/435
- 2,170,040 8/1939 Stuart .
- 2,605,929 8/1952 Bloomfield .
- 2,656,066 10/1953 Riemenschneider .
- 2,673,003 3/1954 Stewart .
- 2,738,915 3/1956 Clair .
- 2,814,427 11/1957 Emery .
- 3,064,849 11/1962 Ferm .
- 3,098,597 7/1963 Johnson et al. .
- 3,326,408 6/1967 Ringlen .
- 3,420,431 1/1969 Donovan .
- 3,442,377 5/1969 Angelus ..... 220/801
- 3,451,588 6/1969 Weber .
- 3,539,552 11/1970 Mounts et al. .
- 3,558,002 1/1971 Lindgren .

- 3,563,445 2/1971 Clayton .
- 3,583,623 6/1971 Golner et al. .
- 3,700,096 10/1972 Reifers .

(List continued on next page.)

**FOREIGN PATENT DOCUMENTS**

- 1253019 12/1960 France .
- 267337 11/1988 France .

(List continued on next page.)

*Primary Examiner*—Caron D. Veynar  
*Attorney, Agent, or Firm*—Foley & Lardner

[57] **CLAIM**

The ornamental design for a pan corner, as shown.

**DESCRIPTION**

FIG. 1 is a top perspective view of a pan corner showing my new design;

FIG. 2 is a top plan view thereof; the bottom plan view being a mirror image thereof;

FIG. 3 is a front elevational view thereof;

FIG. 4 is an auxiliary elevational view thereof taken along lines 4—4 of Fig. 2;

FIG. 5 is a right side elevational view thereof;

FIG. 6 is a sectional view thereof taken along lines 6—6 of FIG. 2;

FIG. 7 is a top perspective view of a second embodiment of my new design;

FIG. 8 is a top plan view of the second embodiment; the bottom plan view being a mirror image thereof;

FIG. 9 is a front elevational view of the second embodiment;

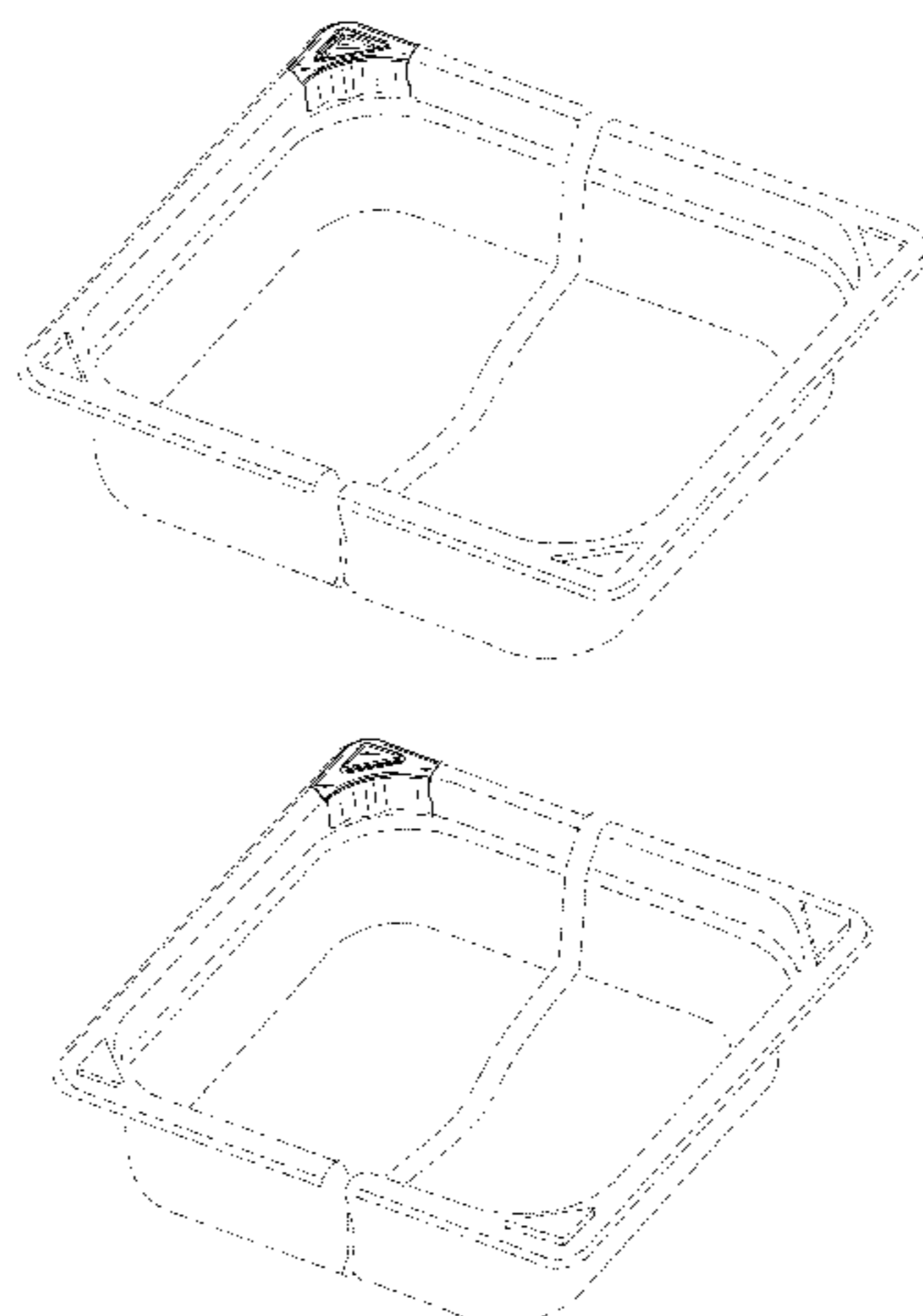
FIG. 10 is an auxiliary elevational view of the second embodiment taken along lines 10—10 of FIG. 8;

FIG. 11 is a right side elevational view of the second embodiment; and

FIG. 12 is a sectional view of the second embodiment taken along lines 12—12 of FIG. 8.

One of the broken lines in FIGS. 1-5 and 7-11 indicates indeterminate length while the other broken lines are for illustrative purposes only and forms no part of the claimed design.

**1 Claim, 4 Drawing Sheets**



U.S. PATENT DOCUMENTS

3,938,727	2/1976	Andersson .	
4,113,095	9/1978	Dietz et al. .	
4,183,435	1/1980	Thompson et al. .	
4,494,650	1/1985	Cullen .	
5,035,327	7/1991	Denzin et al. ....	206/518
5,244,094	9/1993	Graff, Jr. et al. ....	206/564
5,375,719	12/1994	Mittmann et al. ....	206/518
5,377,860	1/1995	Littlejohn et al. .	
5,641,090	6/1997	Kowalski et al. ....	220/782

FOREIGN PATENT DOCUMENTS

0348866	9/1993	France .
0348867	9/1993	France .
0348868	9/1993	France .
0348869	9/1993	France .
0348870	9/1993	France .
0348871	9/1993	France .
0348872	9/1993	France .
0348873	9/1993	France .
DM 038746	1/1997	Germany .

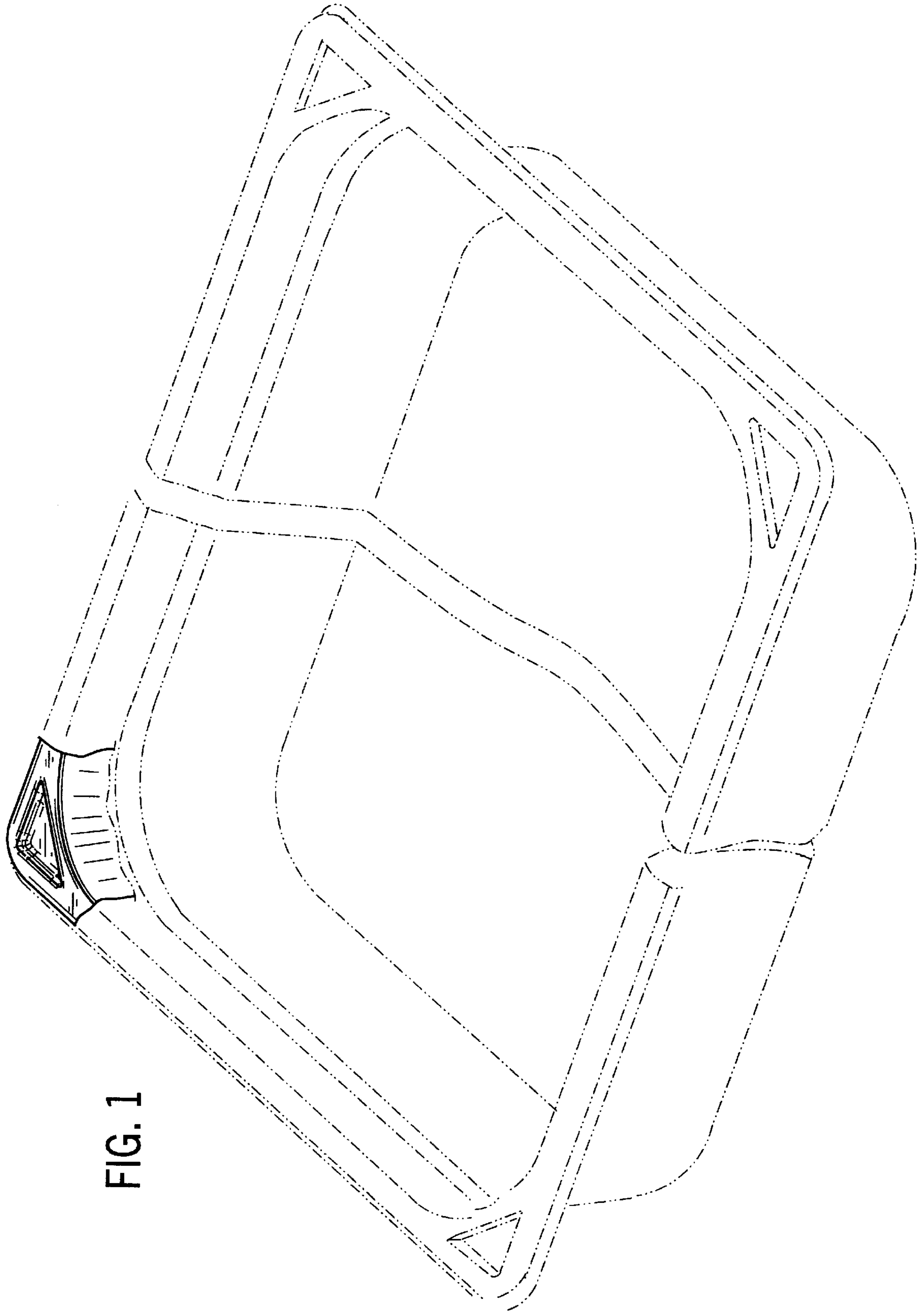
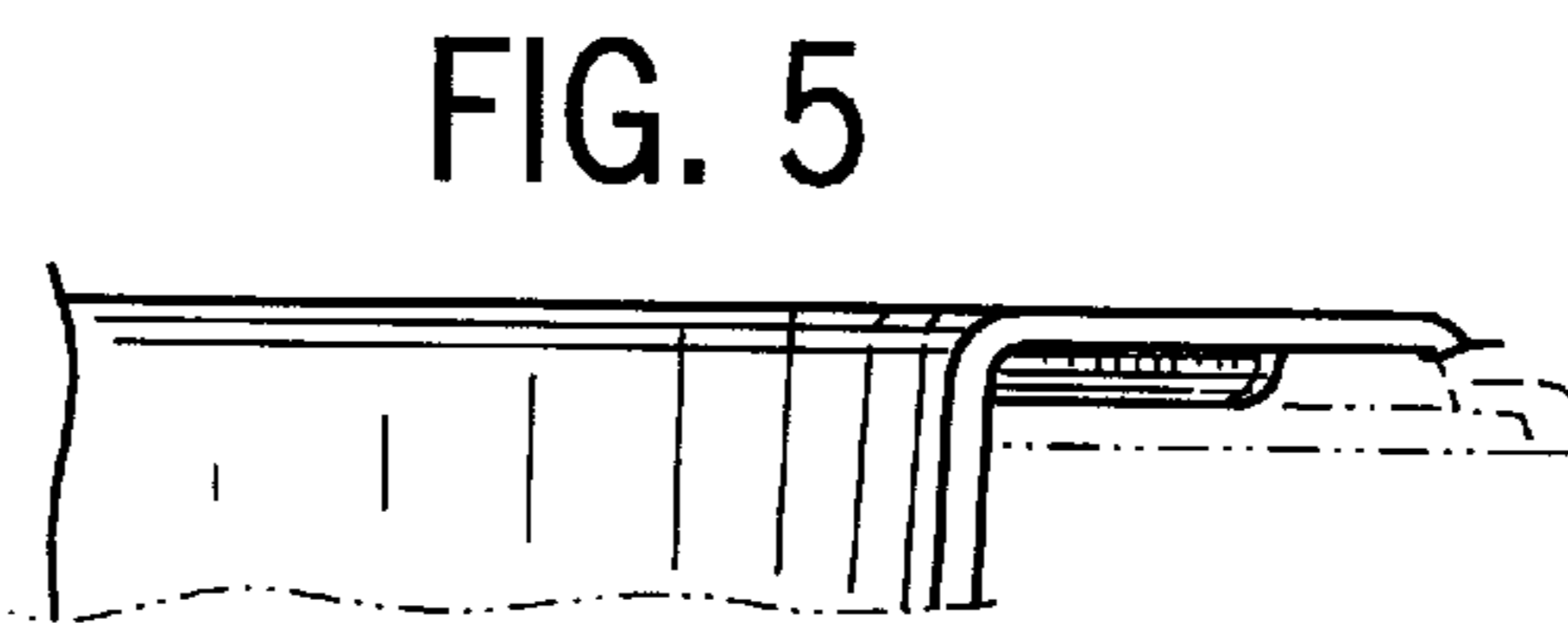
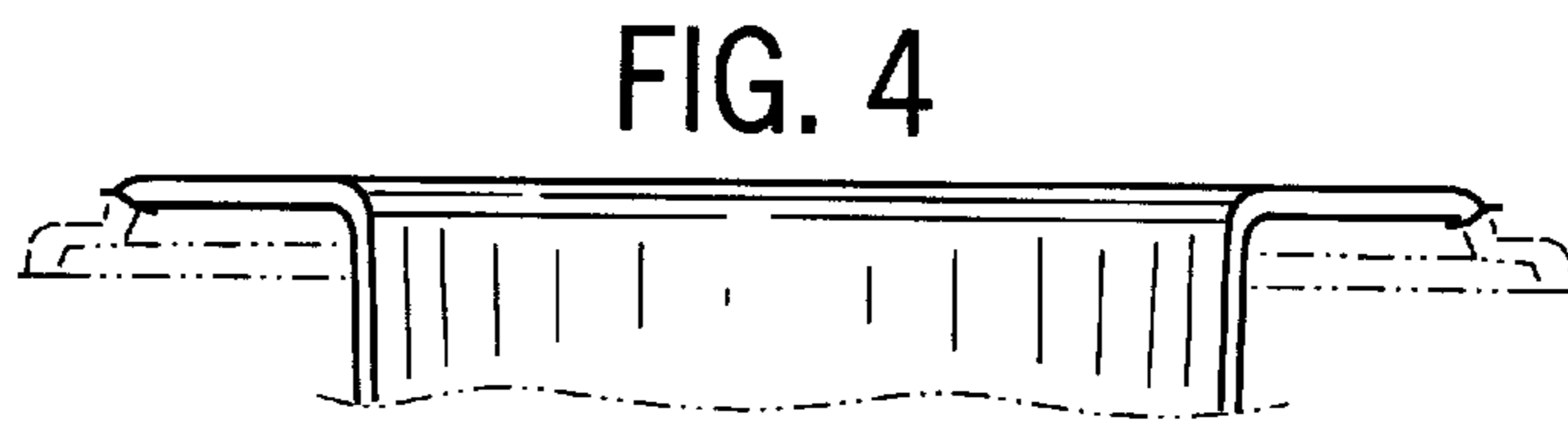
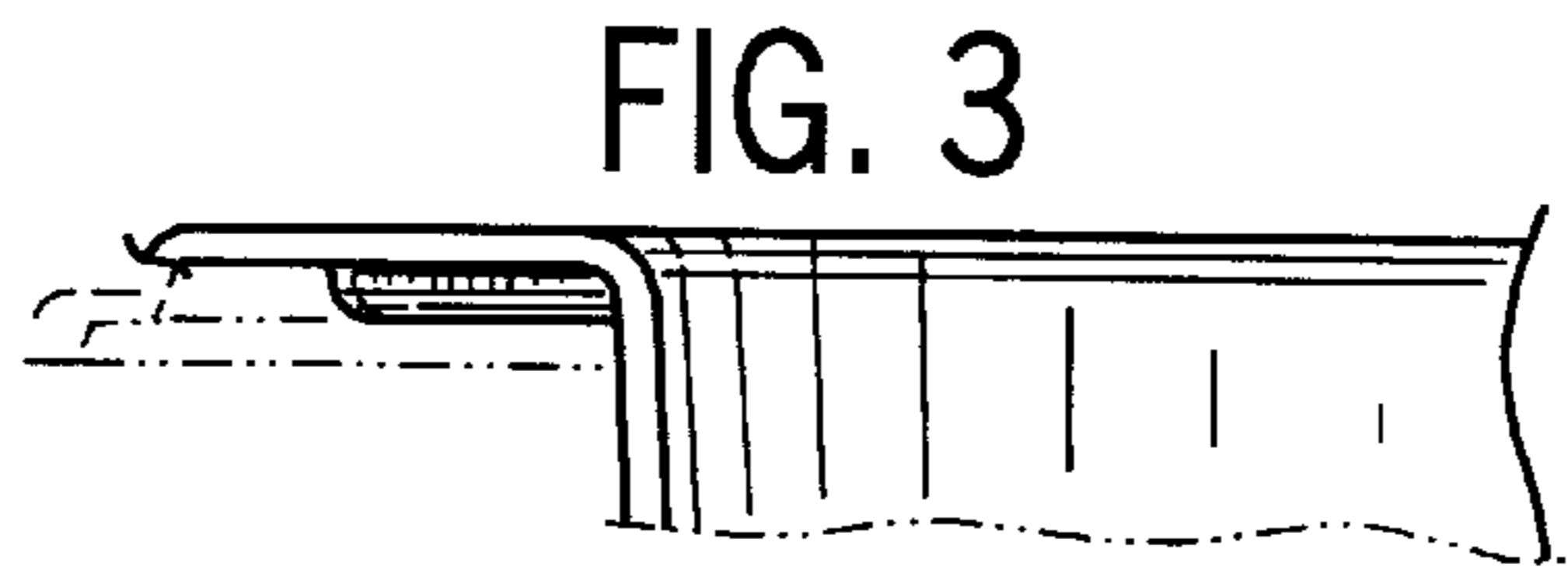
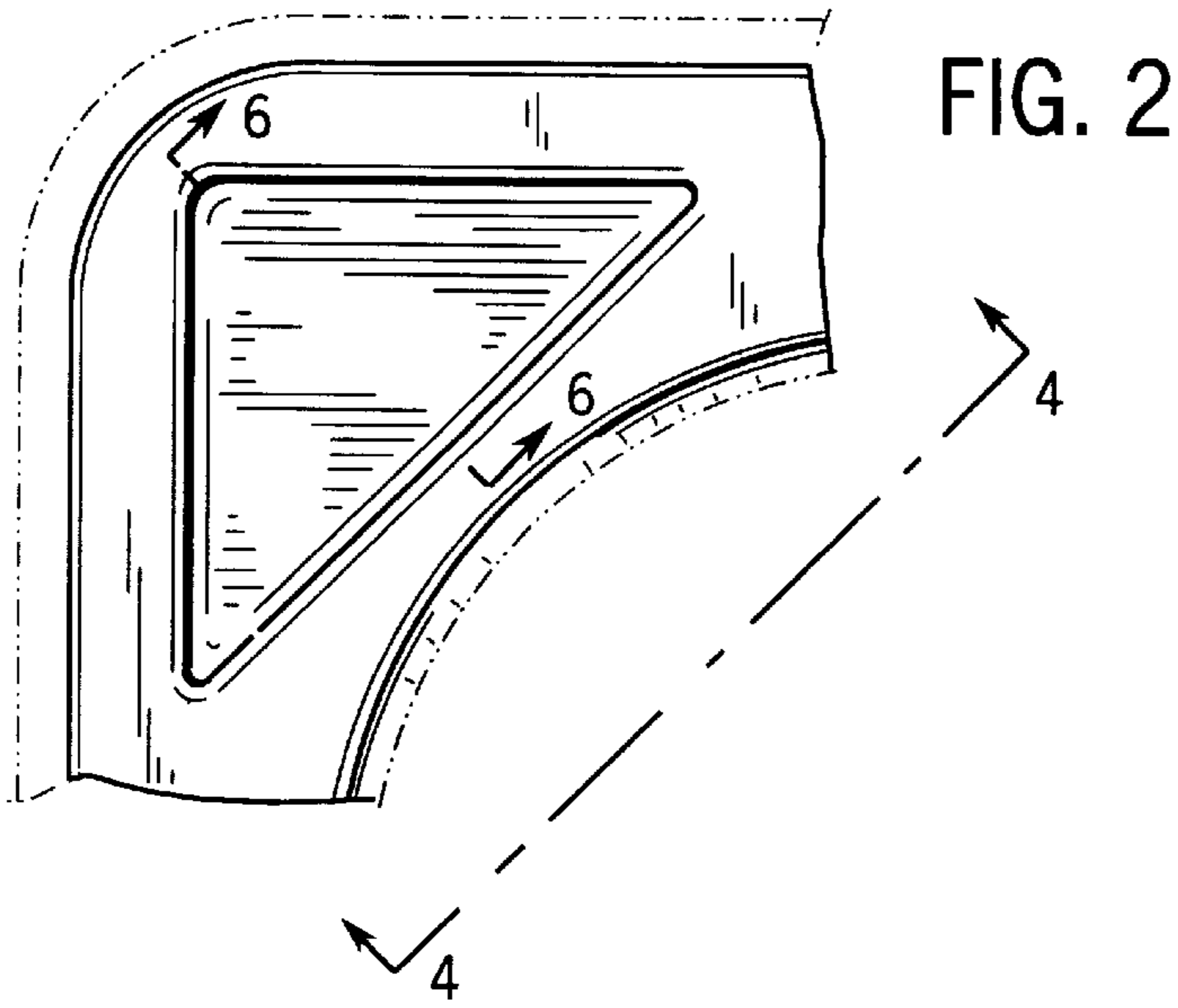


FIG. 1



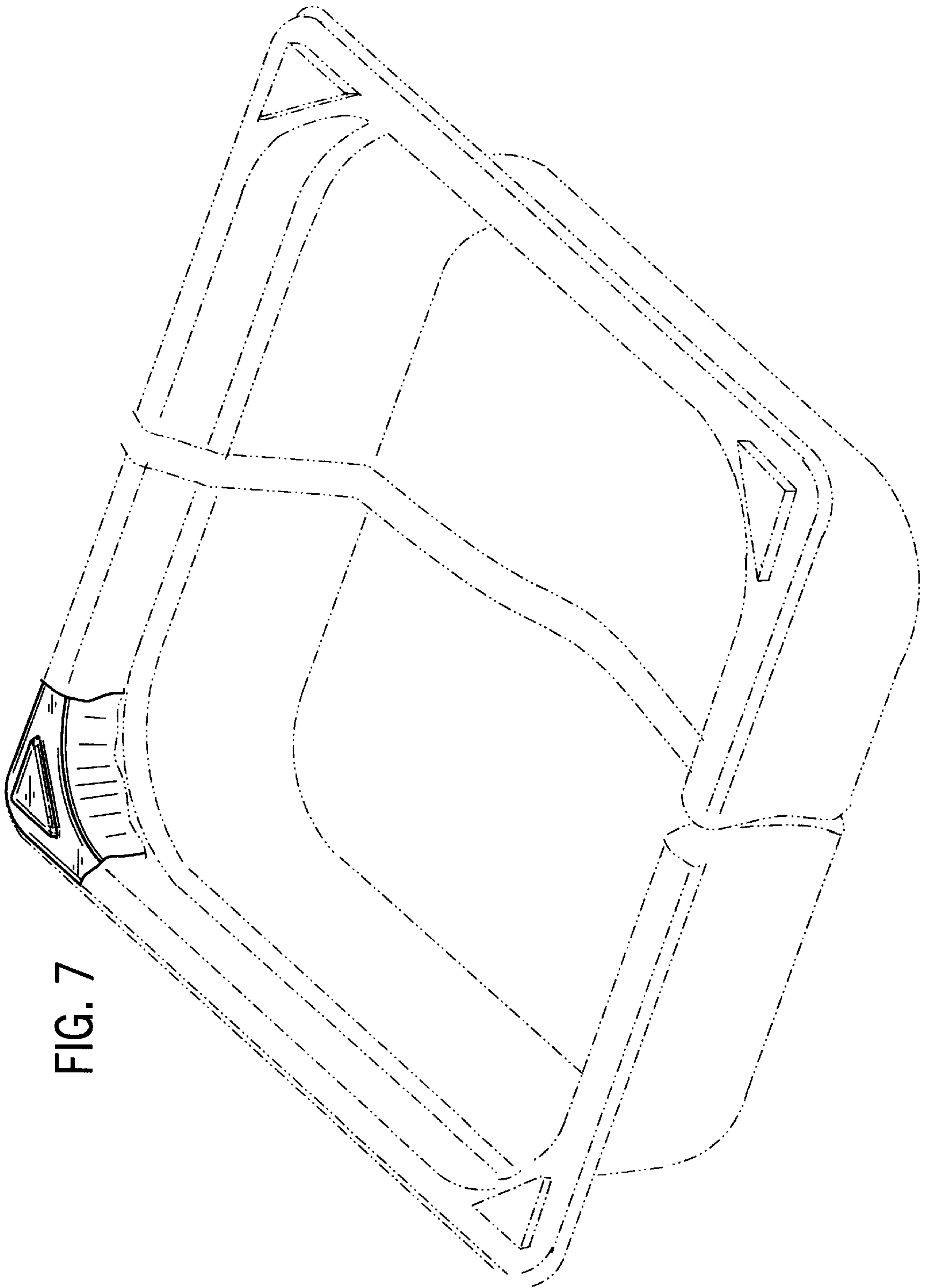


FIG. 7



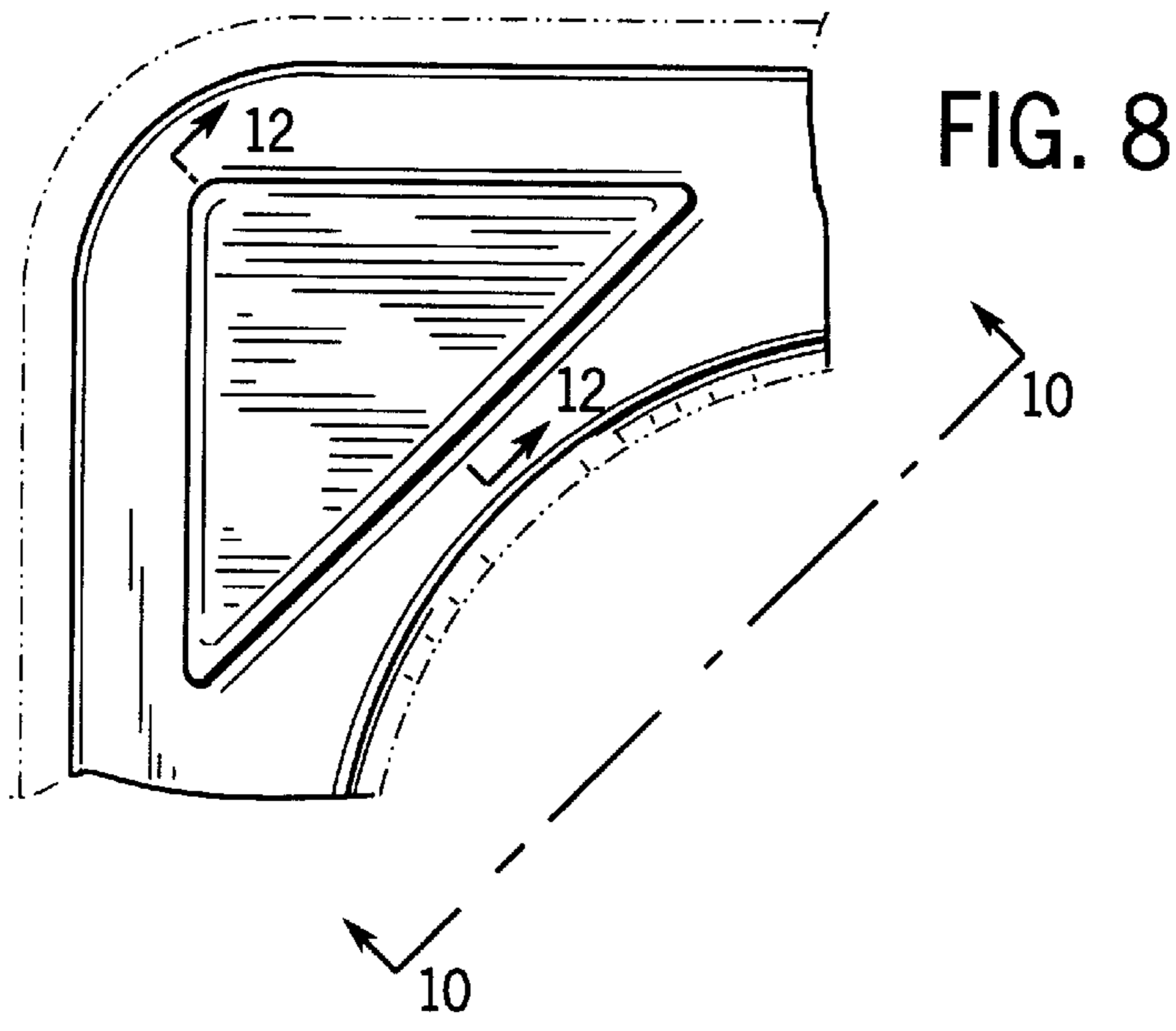


FIG. 8

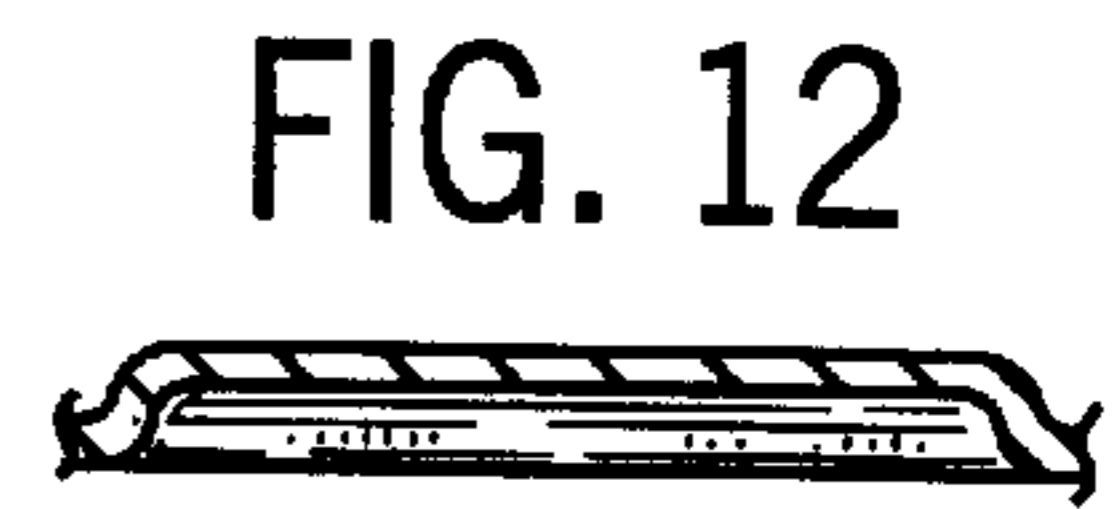


FIG. 12

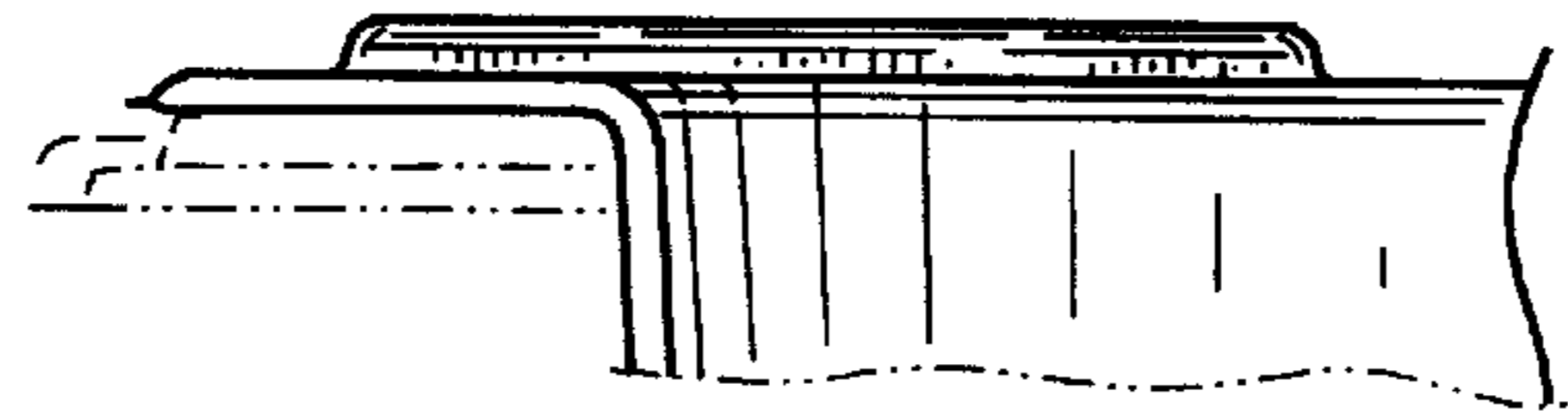


FIG. 9

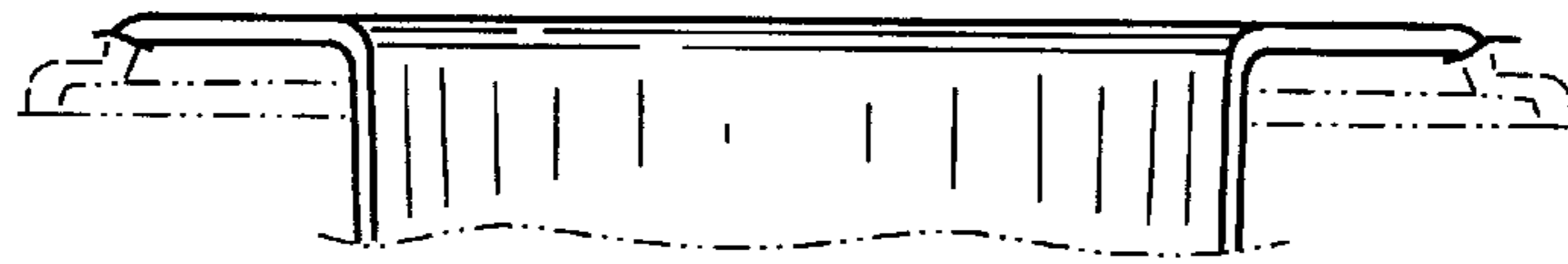


FIG. 10

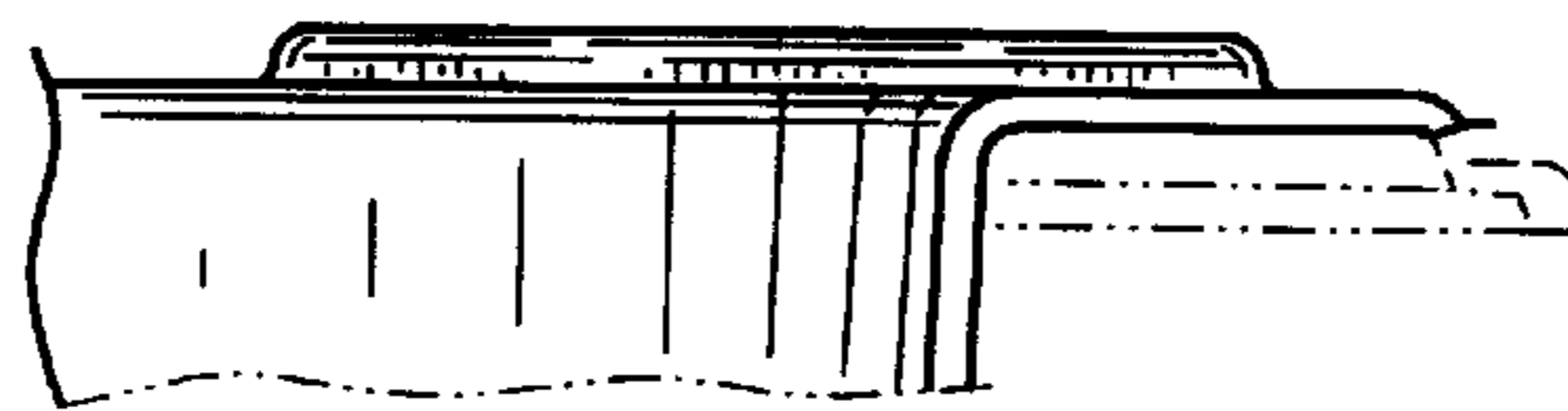


FIG. 11