



US00D435388S

United States Patent [19] Simon

[11] **Patent Number: Des. 435,388**

[45] **Date of Patent: ** Dec. 26, 2000**

[54] **COOKING PLATE**

[75] Inventor: **Frederic Simon**, Clamart, France

[73] Assignee: **Eurokera, Societe en Nom Collectif**,
Jouarre, France

[**] Term: **14 Years**

[21] Appl. No.: **29/104,495**

[22] Filed: **May 6, 1999**

[30] **Foreign Application Priority Data**

Nov. 10, 1998 [FR] France 98 6490

[51] **LOC (7) Cl.** **07-02**

[52] **U.S. Cl.** **D7/346**

[58] **Field of Search** D7/339, 340, 341,
D7/346, 347, 348, 402, 405, 407, 408;
126/39 H, 39 J, 214 A; 219/443.1, 446.1,
466.1, 478, 480

[56] **References Cited**

U.S. PATENT DOCUMENTS

D. 145,030 6/1946 Niemann D7/407

D. 326,387 5/1992 Monitto et al. D7/346

Primary Examiner—Robert M. Spear
Attorney, Agent, or Firm—Oblon, Spivak, McClelland,
Maier & Neustadt, P.C.

[57] **CLAIM**

The ornamental design for cooking plate, as shown and described.

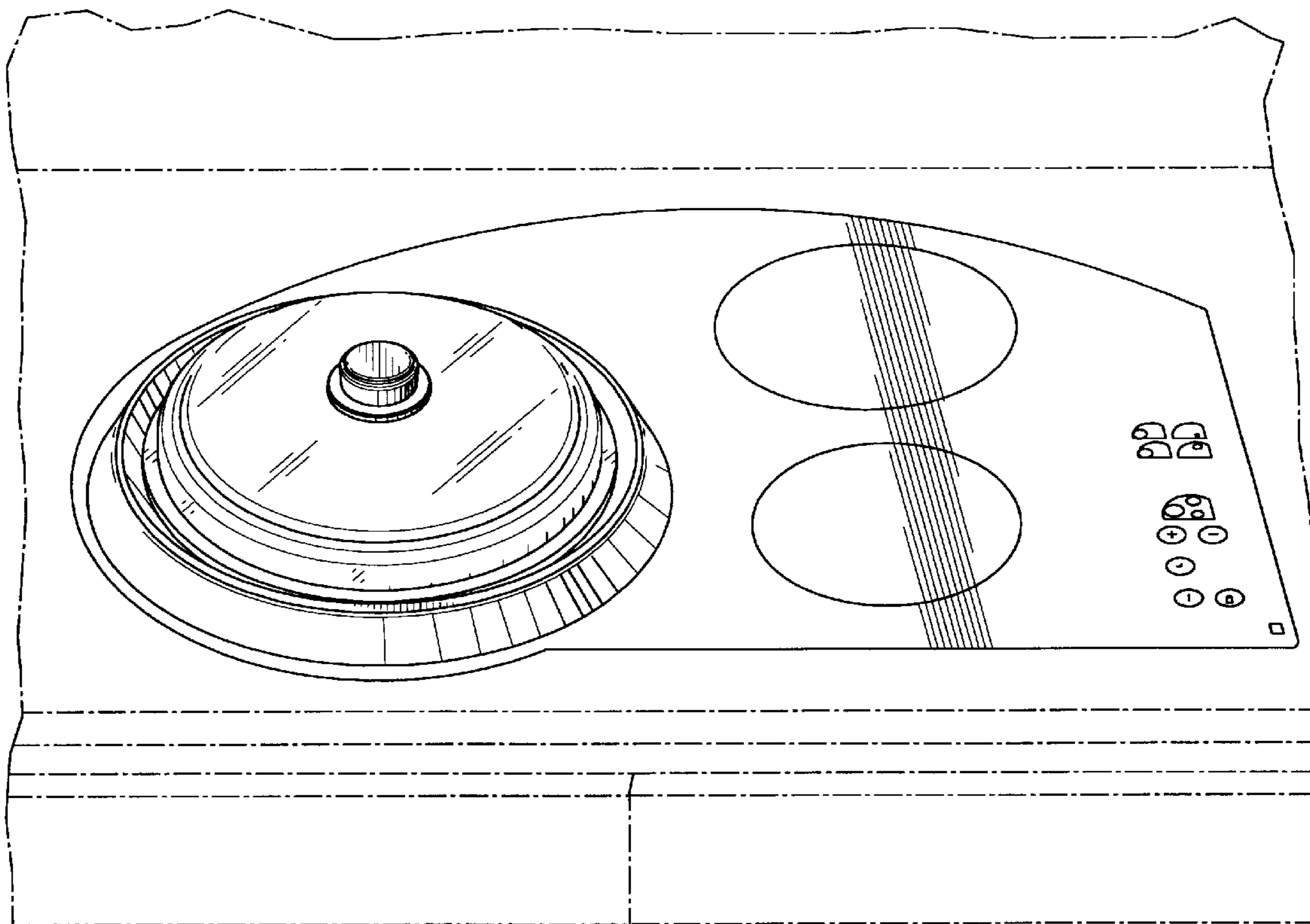
DESCRIPTION

The design of the present application is directed to a cooking plate which can be utilized on a counter top for the preparation of food to be consumed.

FIG. 1 is a top, front and left side perspective view of cooking plate embodying my new design; and, FIG. 2 is a top front and left side perspective view thereof showing the lid thereof removed.

The phantom line showing in the drawings is for illustrative purposes only and forms no part of the claimed design. The surfaces or portions of the article not shown in the drawing or described in the specification also form no part of the claimed design.

1 Claim, 2 Drawing Sheets



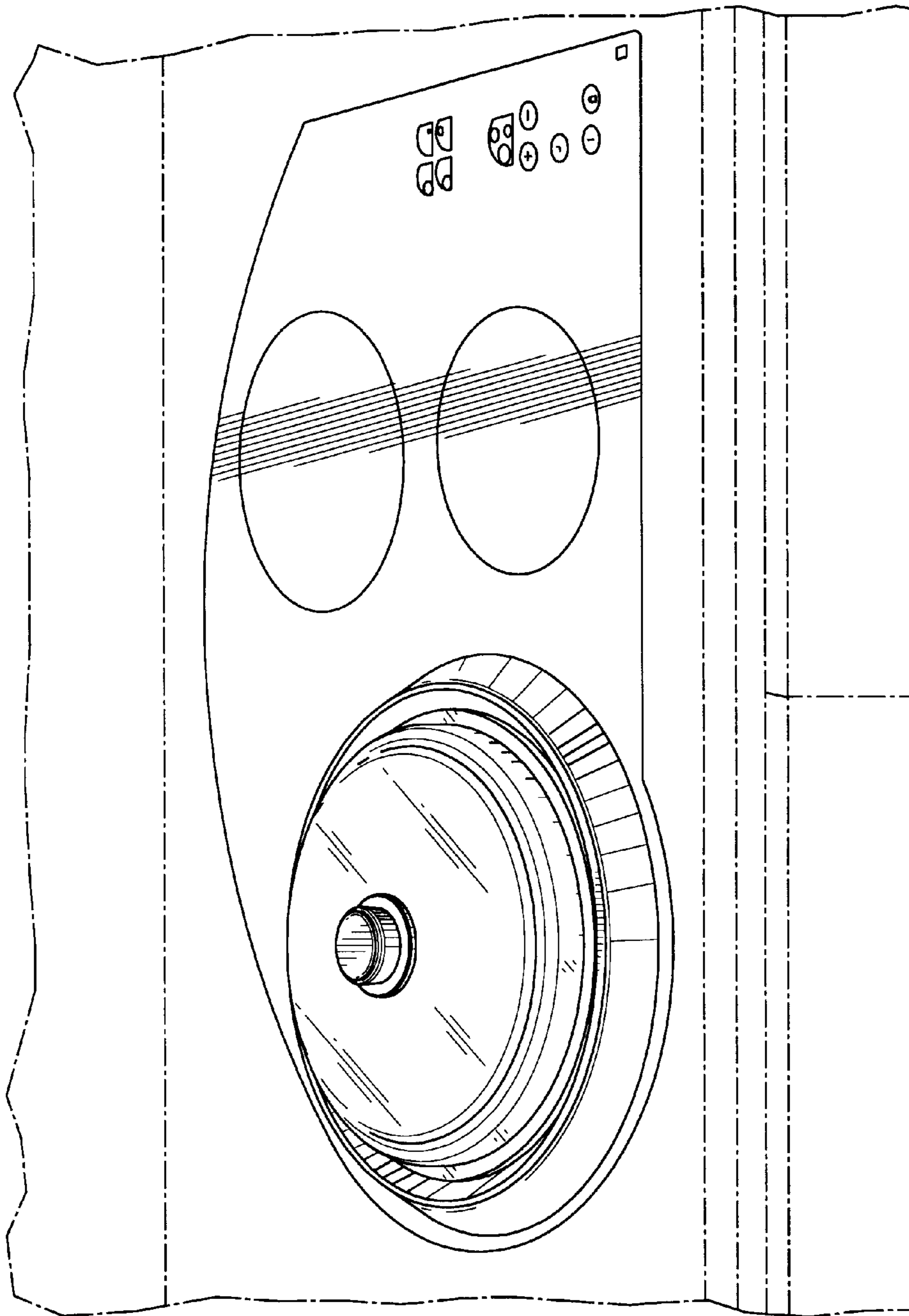


FIG. 1

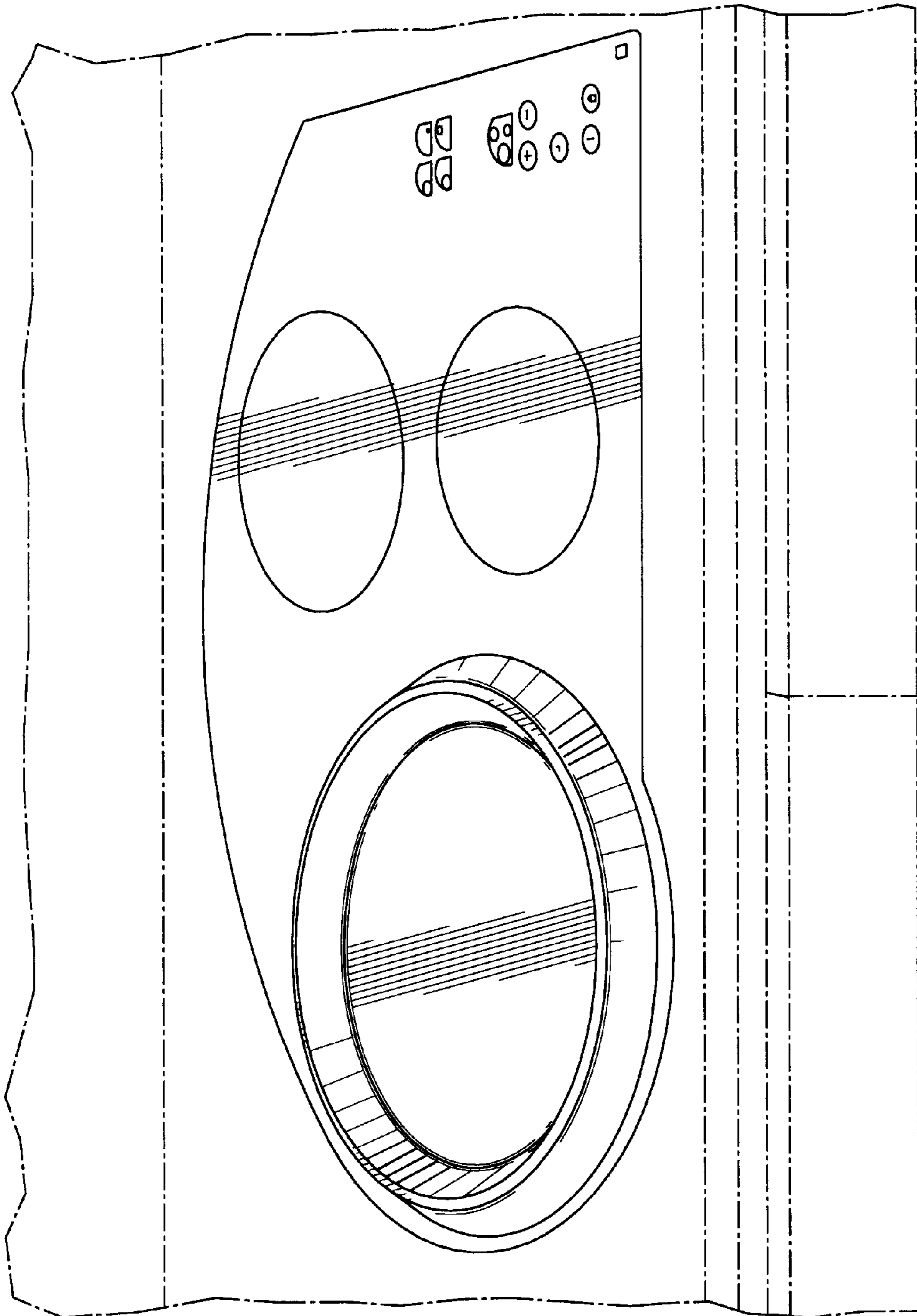


FIG. 2