



US00D435386S

# United States Patent [19]

[11] Patent Number: Des. 435,386

Ancona et al.

[45] Date of Patent: \*\* Dec. 26, 2000

[54] LOW PROFILE TEA KETTLE

[75] Inventors: **Bruce E. Ancona; Anthony Leo; Janet Villano**, all of New York, N.Y.

[73] Assignee: **B. Via International Housewares, Inc.**, Franklin Park, Ill.

[\*\*] Term: **14 Years**

[21] Appl. No.: **29/110,357**

[22] Filed: **Sep. 3, 1999**

[51] LOC (7) Cl. .... **07-01**

[52] U.S. Cl. .... **D7/322; D7/321; D7/312**

[58] Field of Search ..... **D7/300, 312, 313, D7/321, 322; 222/238, 185.1, 472, 146.6; 99/283**

D. 380,929	7/1997	Wheeler	.....	D7/322
D. 380,930	7/1997	Wheeler	.....	D7/322
D. 381,239	7/1997	Chen	.....	D7/322
D. 396,988	8/1998	Lien	.....	D7/322
D. 414,979	10/1999	de Bergen	.....	D7/320
1,092,056	3/1914	Jennings	.	
2,027,537	1/1936	Kircher	.....	219/44
2,590,596	3/1952	Ziskin	.....	222/474
2,620,948	12/1952	Ziskin et al.	.....	222/473
2,666,556	1/1954	Ziskin et al.	.....	222/473
2,696,332	12/1954	Felver	.....	222/473
3,155,270	11/1964	Taft	.....	220/55.7
4,026,274	5/1977	Gutierrez	.....	126/390
4,141,473	2/1979	Hudson	.....	222/473
4,385,585	5/1983	Lebowitz	.....	116/67 R

Primary Examiner—M. N. Pandozzi  
Attorney, Agent, or Firm—Wolf, Greenfield & Sacks, P.C.

### [57] CLAIM

The ornamental design for a low profile tea kettle, as shown and described.

### [56] References Cited

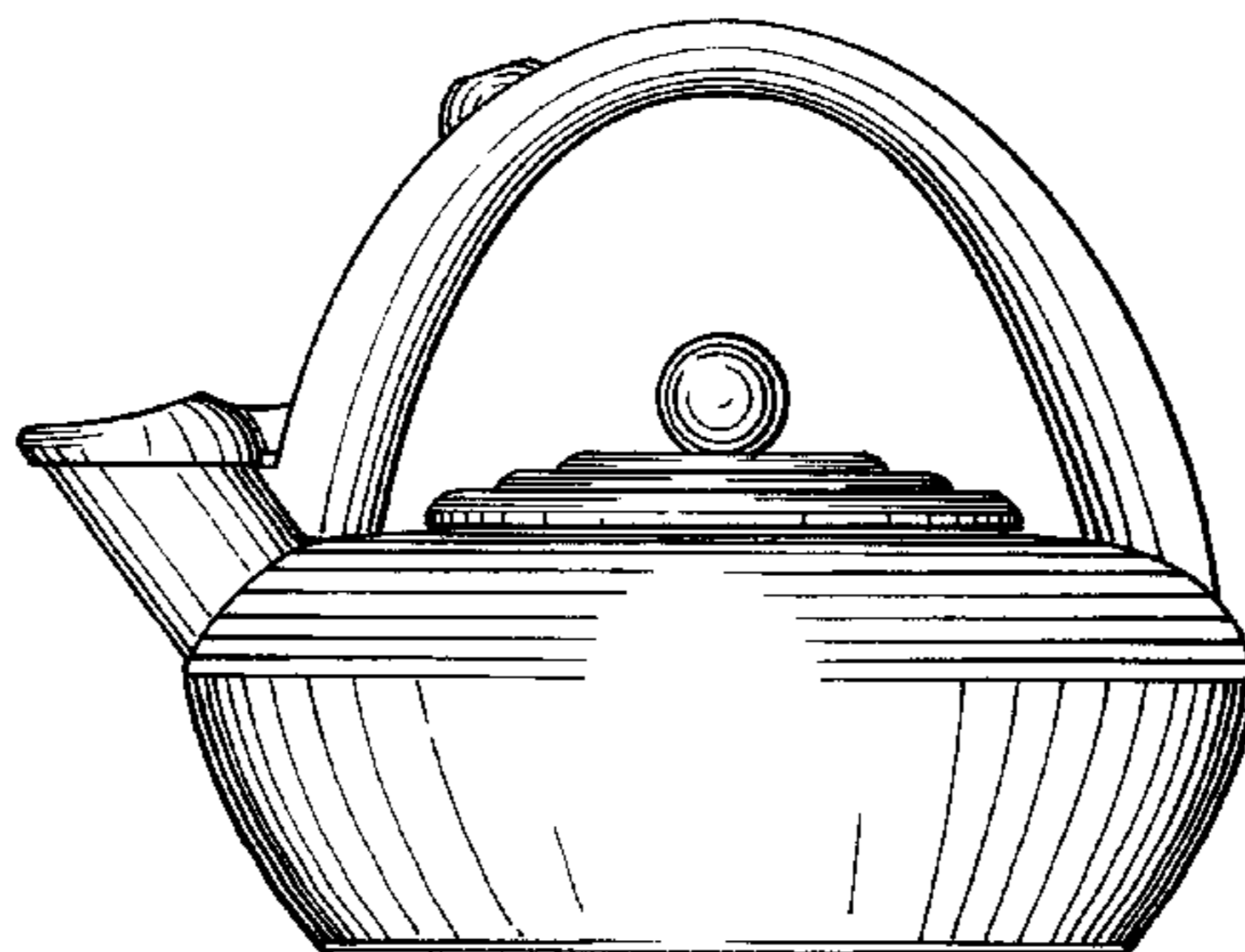
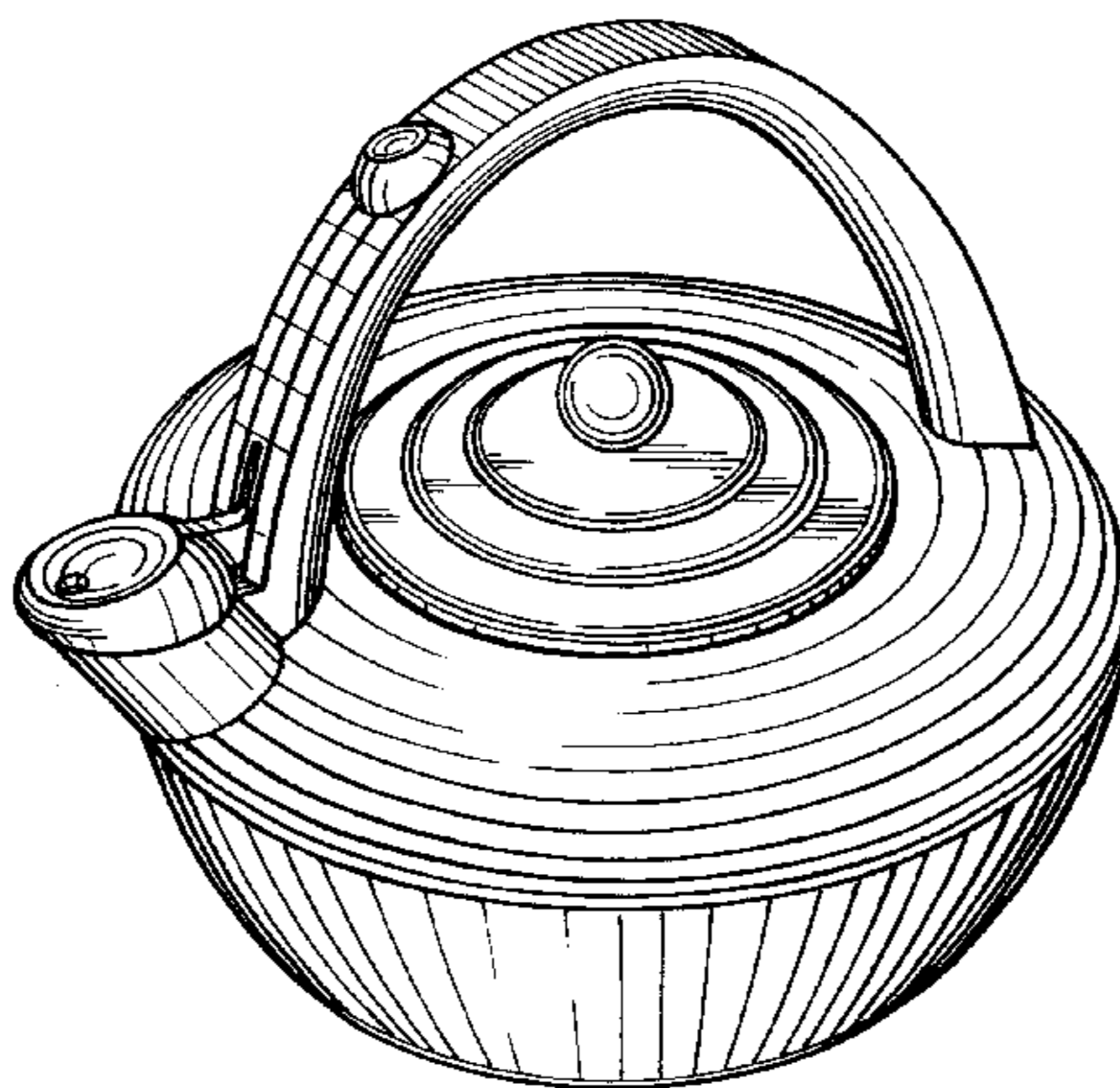
#### U.S. PATENT DOCUMENTS

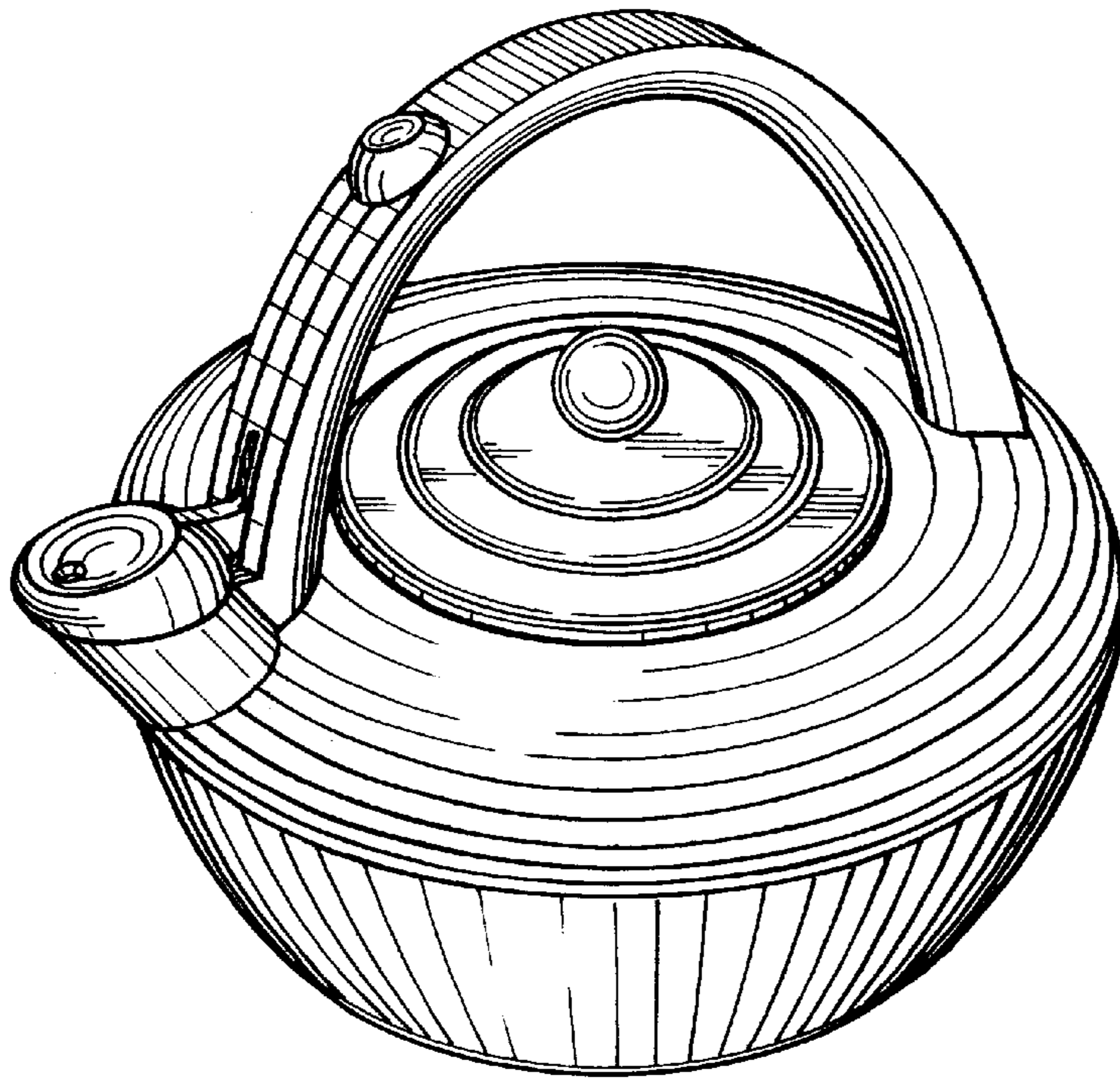
D. 95,278	4/1935	Mills	.....	D7/321
D. 117,856	11/1939	Thorley	.....	D7/322
D. 274,595	7/1984	Lebowitz	.....	D7/322
D. 282,810	3/1986	Urich	.....	D7/322
D. 308,797	6/1990	Ancona et al.	.....	D7/322
D. 322,734	12/1991	Solomon	.....	D7/322
D. 336,006	6/1993	Lebowitz	.....	D7/322
D. 336,013	6/1993	Lebowitz	.....	D7/322
D. 338,799	8/1993	Lebowitz	.....	D7/322
D. 361,692	8/1995	Lee	.....	D7/322
D. 380,337	7/1997	Lien	.....	D7/322

### DESCRIPTION

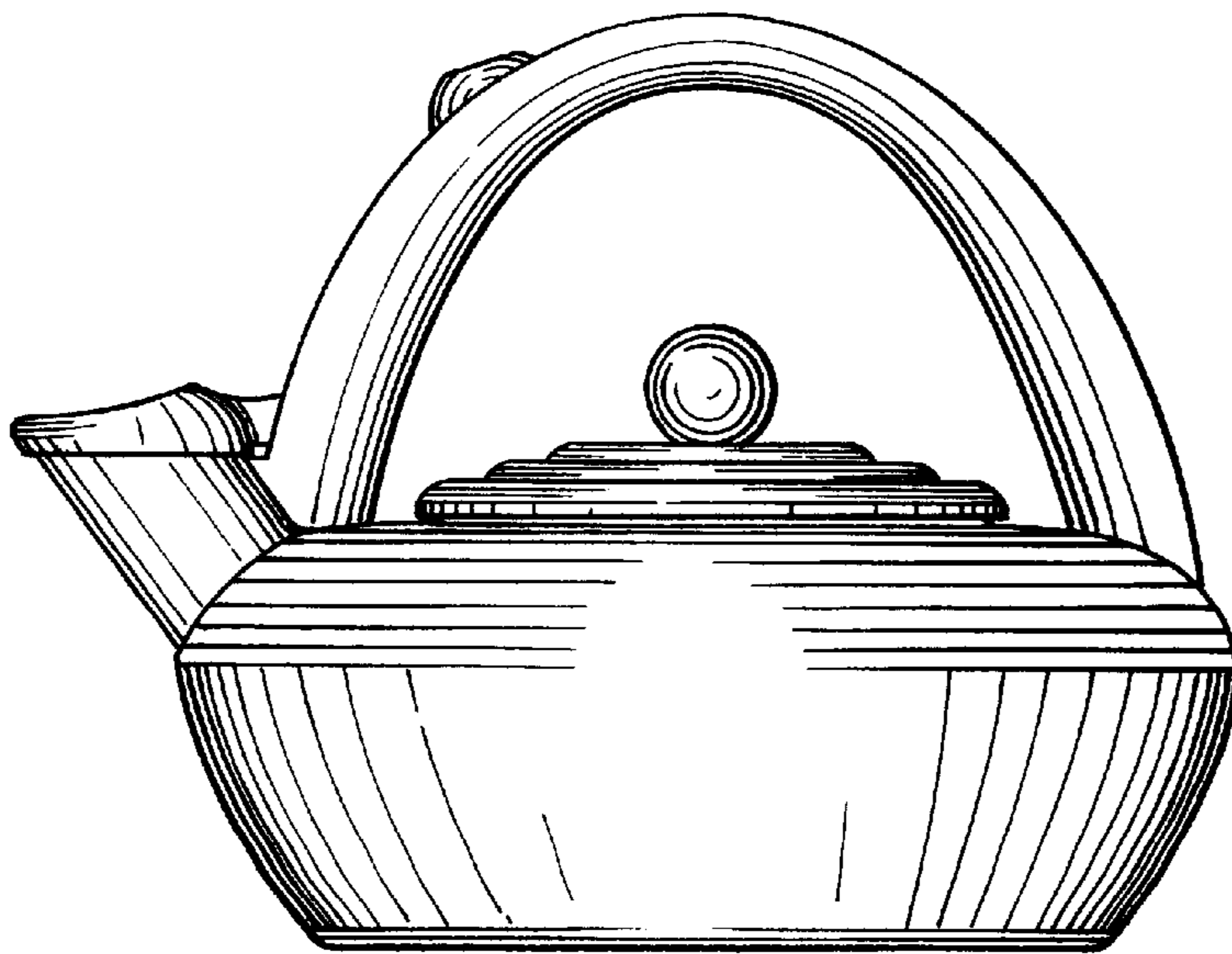
FIG. 1 is a side, top, perspective view of the low profile tea kettle;  
FIG. 2 is a left side view thereof, the right side view thereof being a mirror image of the left side view thereof;  
FIG. 3 is a front view thereof;  
FIG. 4 is a rear view thereof;  
FIG. 5 is a top view thereof; and,  
FIG. 6 is a bottom view thereof.

1 Claim, 3 Drawing Sheets

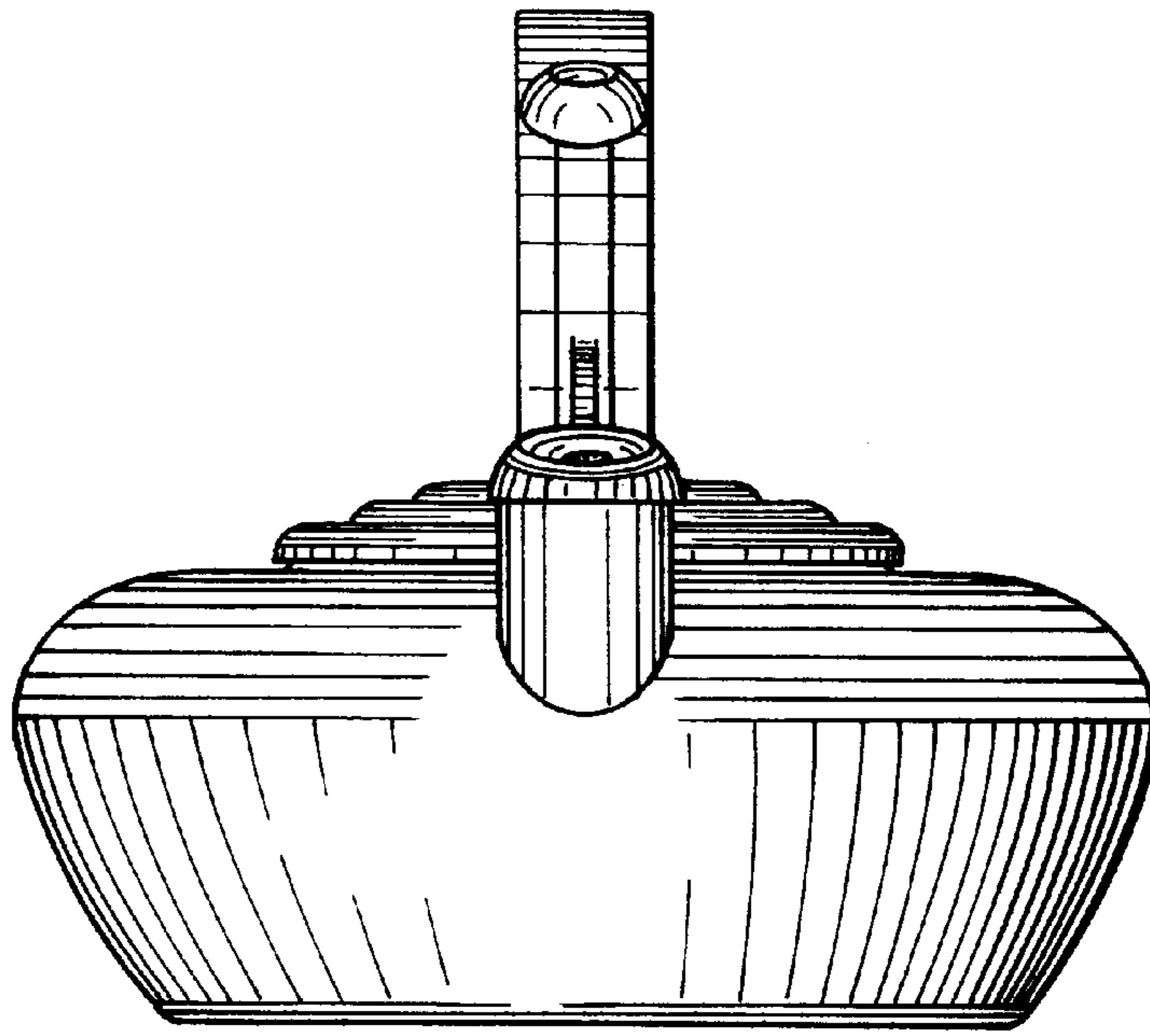




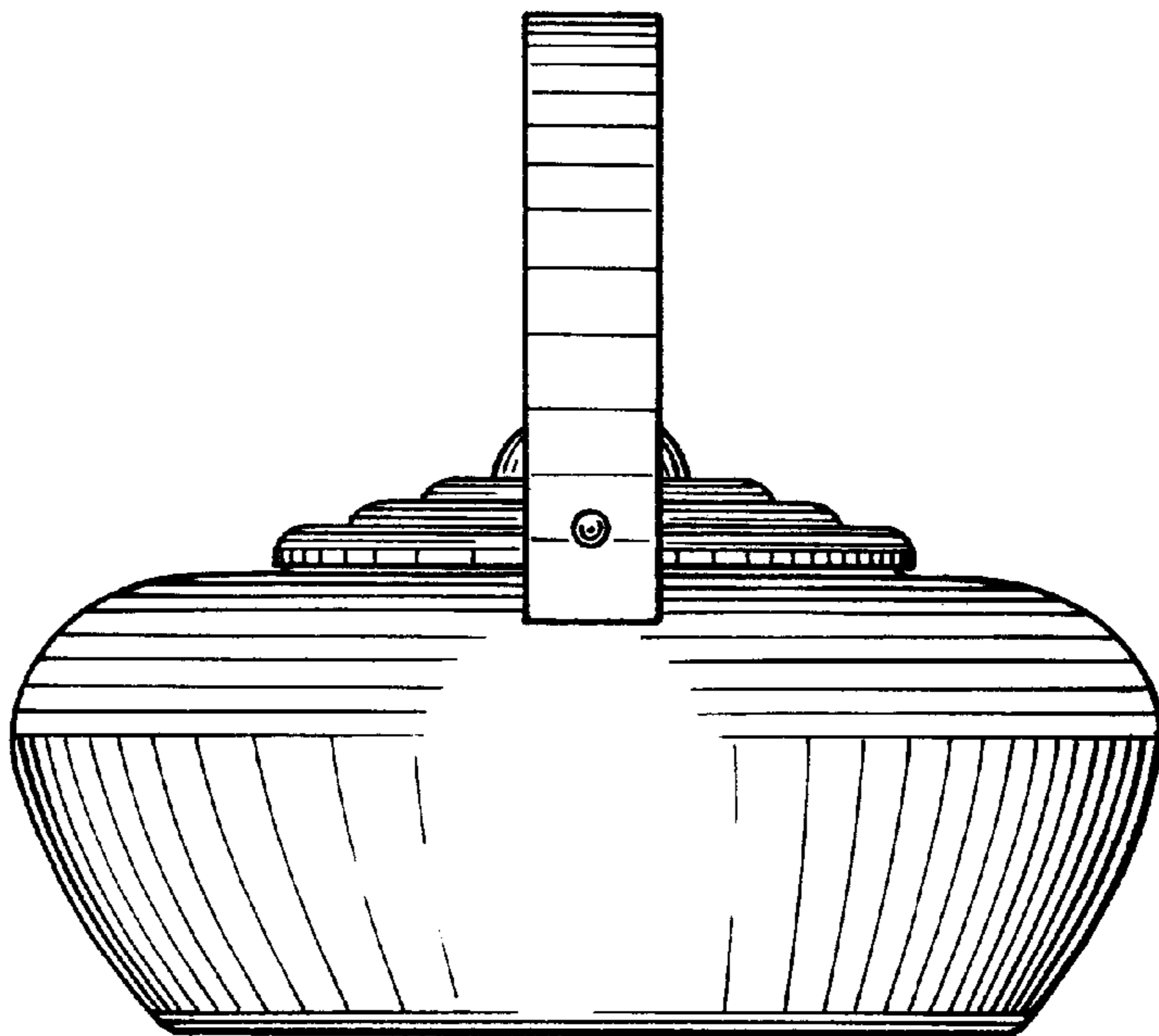
*Fig. 1*



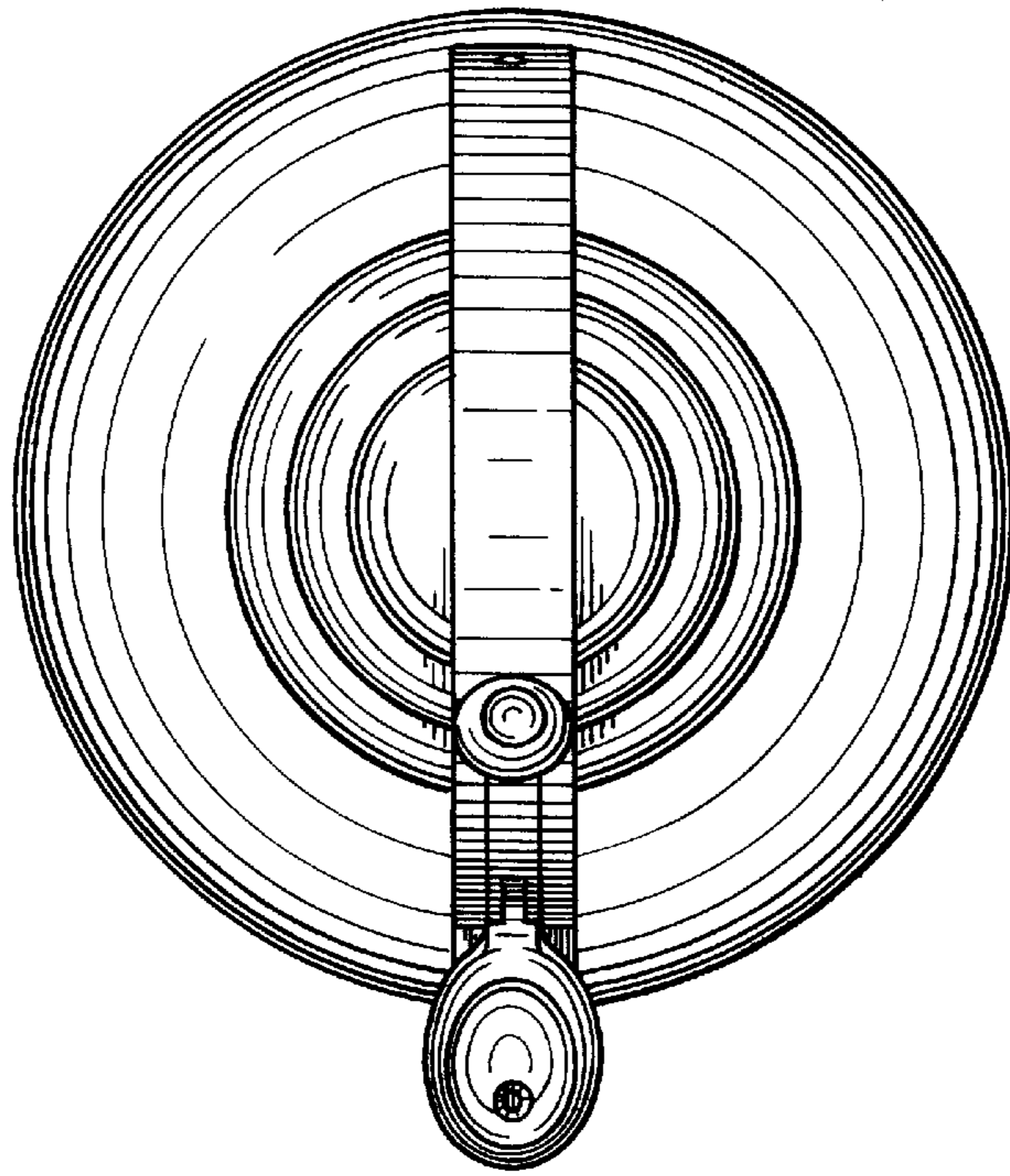
*Fig. 2*



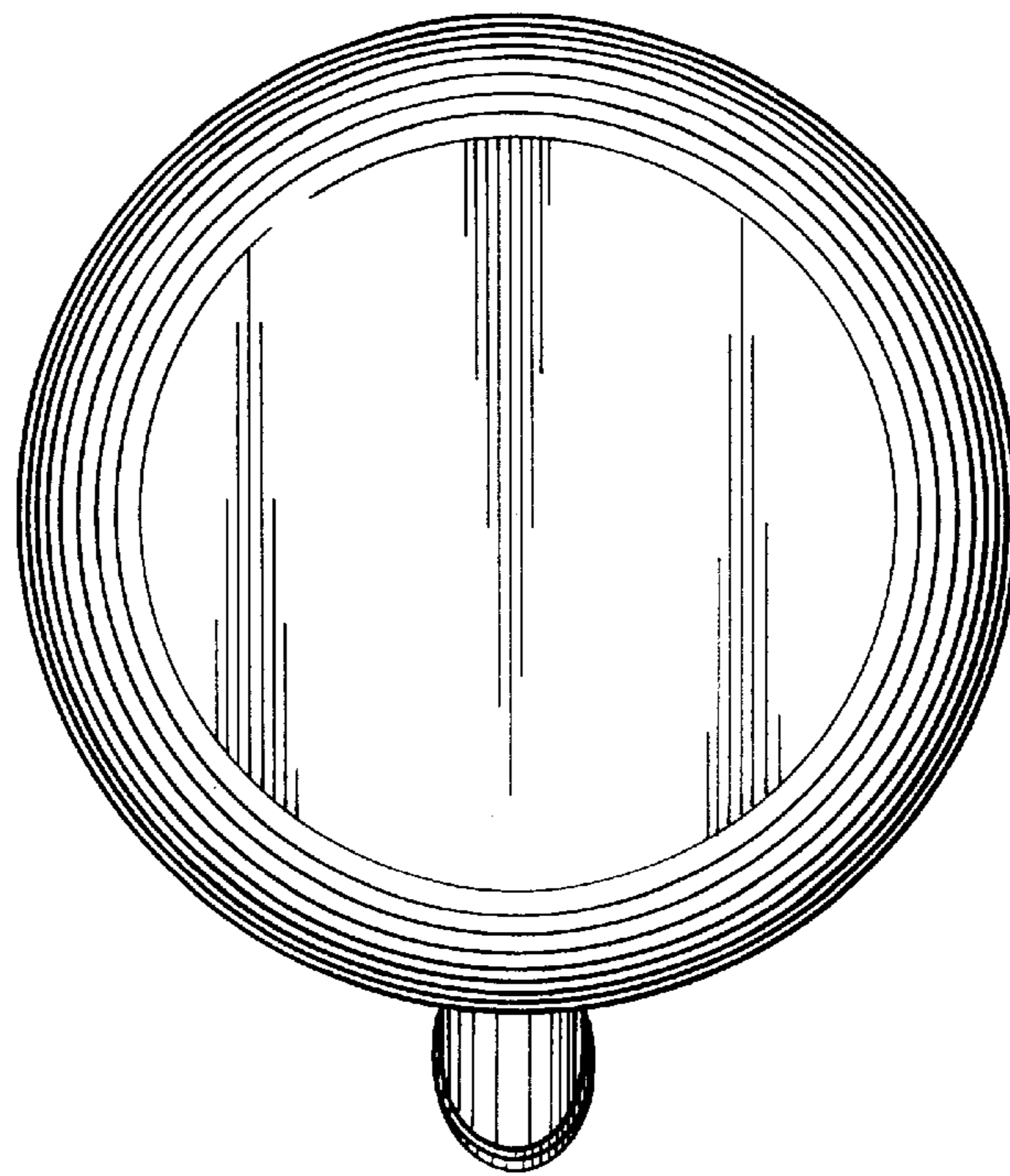
*Fig. 3*



*Fig. 4*



*Fig. 5*



*Fig. 6*