



US00D435384S

United States Patent [19] Finkelstein

[11] **Patent Number: Des. 435,384**

[45] **Date of Patent: ** Dec. 26, 2000**

[54] **MULTI-PURPOSE MAT**

4,862,638 9/1989 Stevenson 428/40.1
5,053,262 10/1991 Kerr .
5,712,012 1/1998 Forman et al. .

[76] Inventor: **Andrea K. Finkelstein**, 10470 N. 106th Pl., Scottsdale, Ariz. 85258

[**] Term: **14 Years**

Primary Examiner—Louis S. Zarfes
Assistant Examiner—Inga-Maria Hyttinen
Attorney, Agent, or Firm—Snell & Wilmer, L.L.P.

[21] Appl. No.: **29/101,567**

[57] **CLAIM**

[22] Filed: **Mar. 8, 1999**

The design for the multi-purpose mat, as shown and described.

[51] **LOC (7) Cl. 06-13**

[52] **U.S. Cl. D6/613**

[58] **Field of Search** D6/613, 616, 617,
D6/610; 428/40.1; 108/90; 52/782.2, 800.1,
764, 800.14; D18/32

DESCRIPTION

FIG. 1 is a perspective view of the multi-purpose placemat showing my new design;
FIG. 2 is a bottom plan view thereof;
FIG. 3 is a side elevational view thereof;
FIG. 4 is the opposite side elevational view thereof;
FIG. 5 is a front elevational view thereof; and,
FIG. 6 is a top plan view thereof.

[56] **References Cited**

U.S. PATENT DOCUMENTS

D. 122,496 9/1940 Marghab D6/616
2,757,478 8/1956 Borland D6/616
4,840,841 6/1989 Madsen .

1 Claim, 1 Drawing Sheet

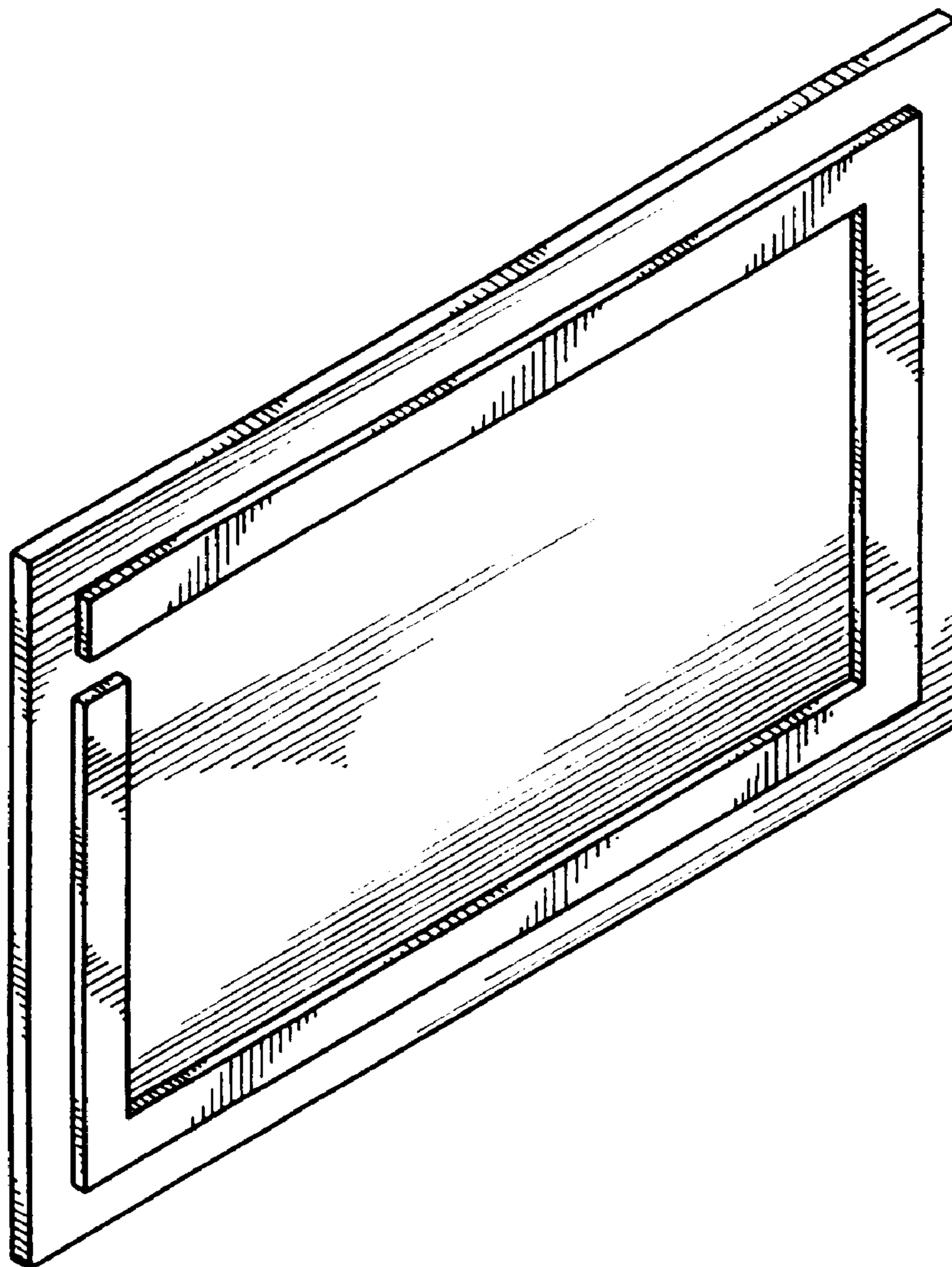


FIG. 1

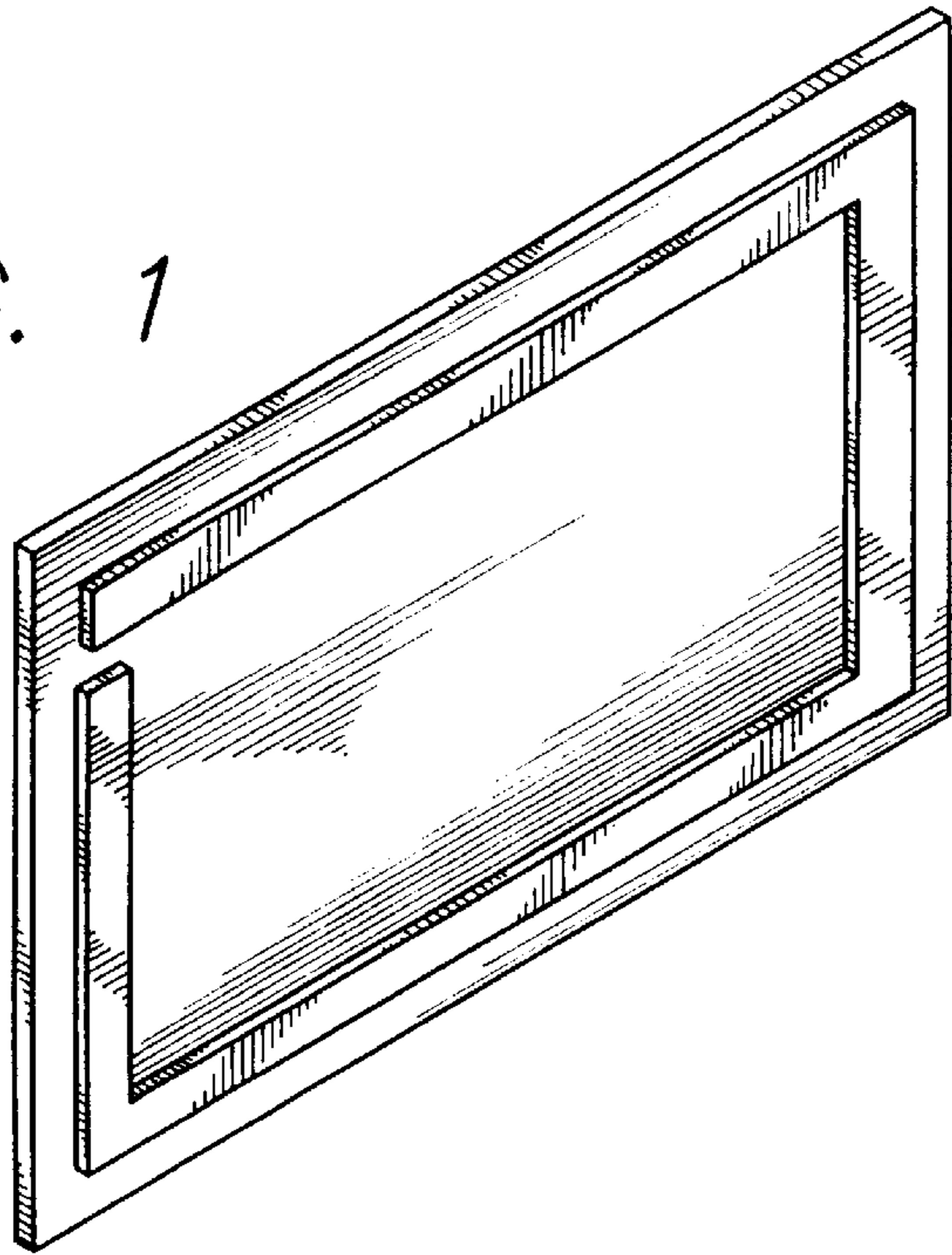


FIG. 3



FIG. 2

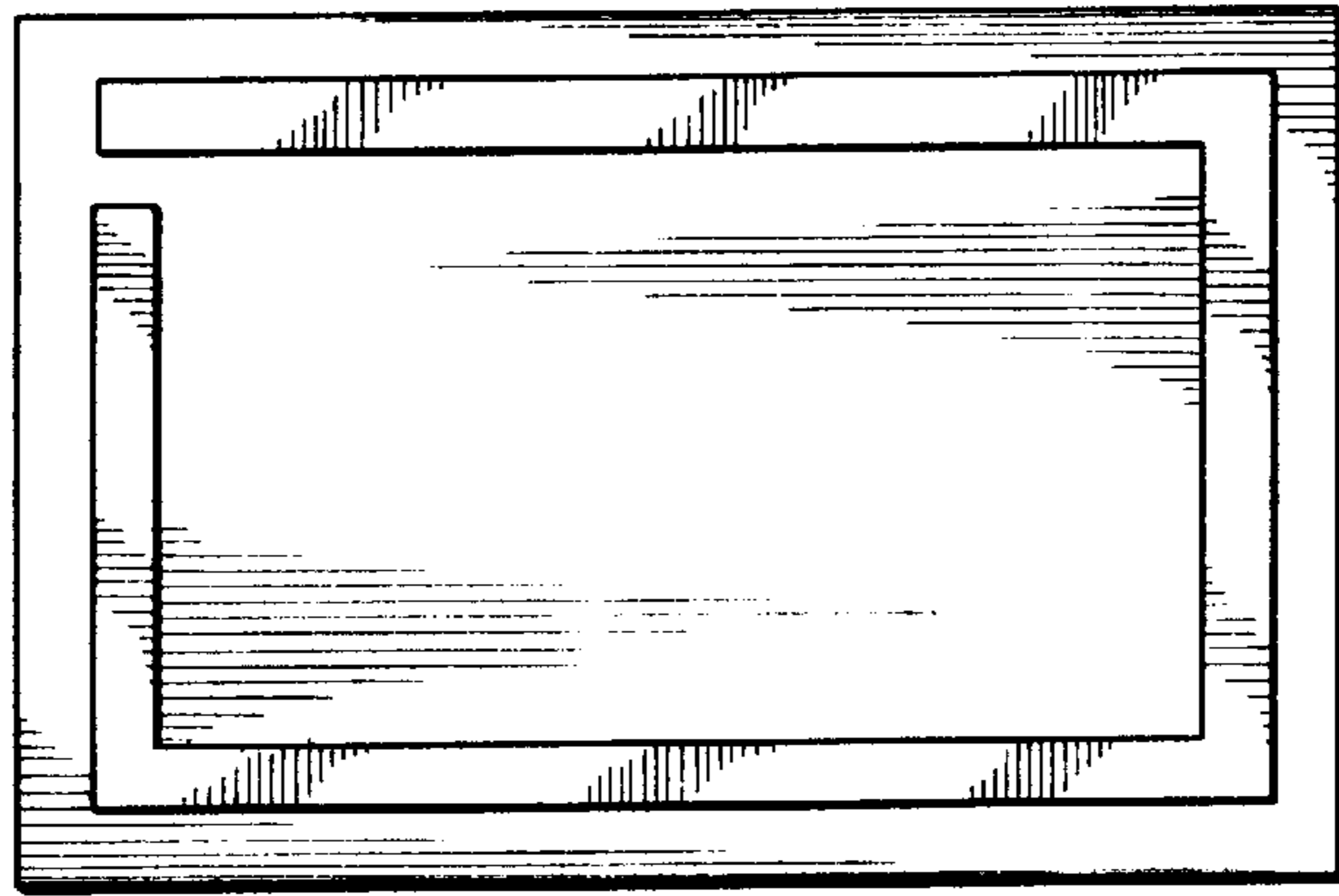


FIG. 4

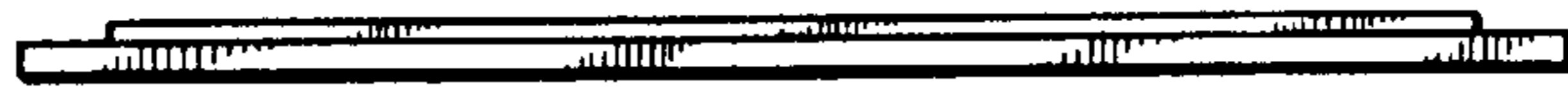


FIG. 5

FIG. 6

