



US00D435380S

United States Patent [19]

Smith et al.

[11] **Patent Number: Des. 435,380**

[45] **Date of Patent: ** Dec. 26, 2000**

[54] **TV CADDY**

[75] Inventors: **Steven A. Smith**, Louisville, Ky.;
Bruce L. Winkler, Madison, Wis.

[73] Assignee: **Steven Smith**, Louisville, Ky.

[**] Term: **14 Years**

[21] Appl. No.: **29/070,997**

[22] Filed: **May 19, 1997**

[51] **LOC (7) Cl.** **06-06**

[52] **U.S. Cl.** **D6/529**; D6/511; D6/336;
D14/217; D7/552.1; D19/86

[58] **Field of Search** D6/509-511, 366;
D14/217; D7/552.1; D19/86, 92; 211/88.01,
126.1, 90.01, 133.6, 186, 26.1; 108/42,
152, 157.11, 157.13; 248/239, 245, 250,
235; 297/135, 160, 161

[56] **References Cited**

U.S. PATENT DOCUMENTS

D. 186,181 9/1959 Silkenat D7/552.1

D. 292,352 10/1987 Hampshire et al. D6/418
D. 377,275 1/1997 Diletto D6/418
3,744,645 7/1973 Hochman 211/126.1

Primary Examiner—Cathron B. Matta
Attorney, Agent, or Firm—Carrithers Law Office; David W. Carrithers

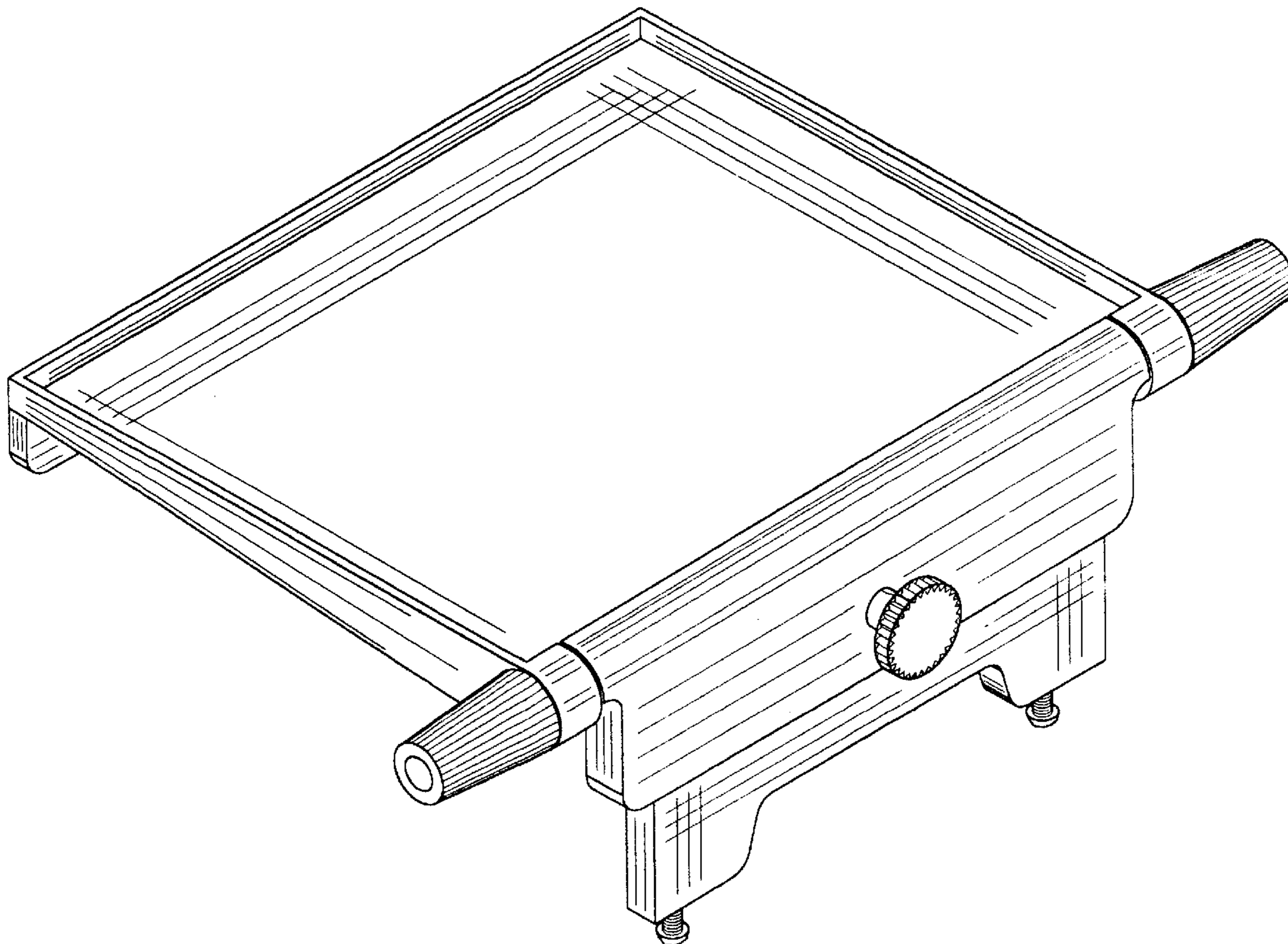
[57] **CLAIM**

The ornamental design for a TV caddy, as shown and described.

DESCRIPTION

FIG. 1 is a perspective view of my design for a TV caddy; FIG. 2 is a top plan view thereof; FIG. 3 is a bottom plan view thereof; FIG. 4 is a front elevational view thereof; FIG. 5 is a rear elevational view thereof; FIG. 6 is a right elevational side view thereof; and, FIG. 7 is a left elevational side view thereof.

1 Claim, 7 Drawing Sheets



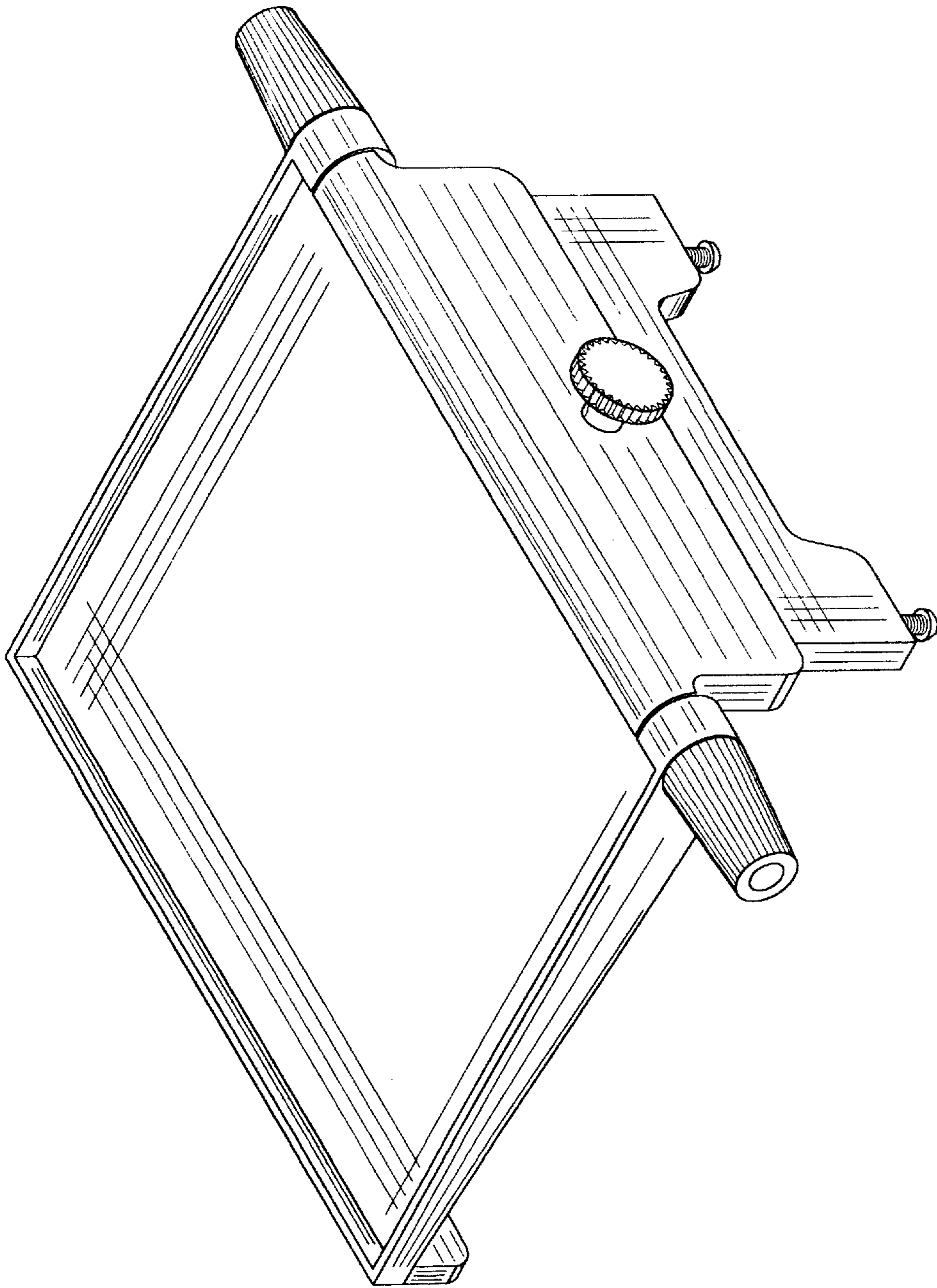


FIGURE 1

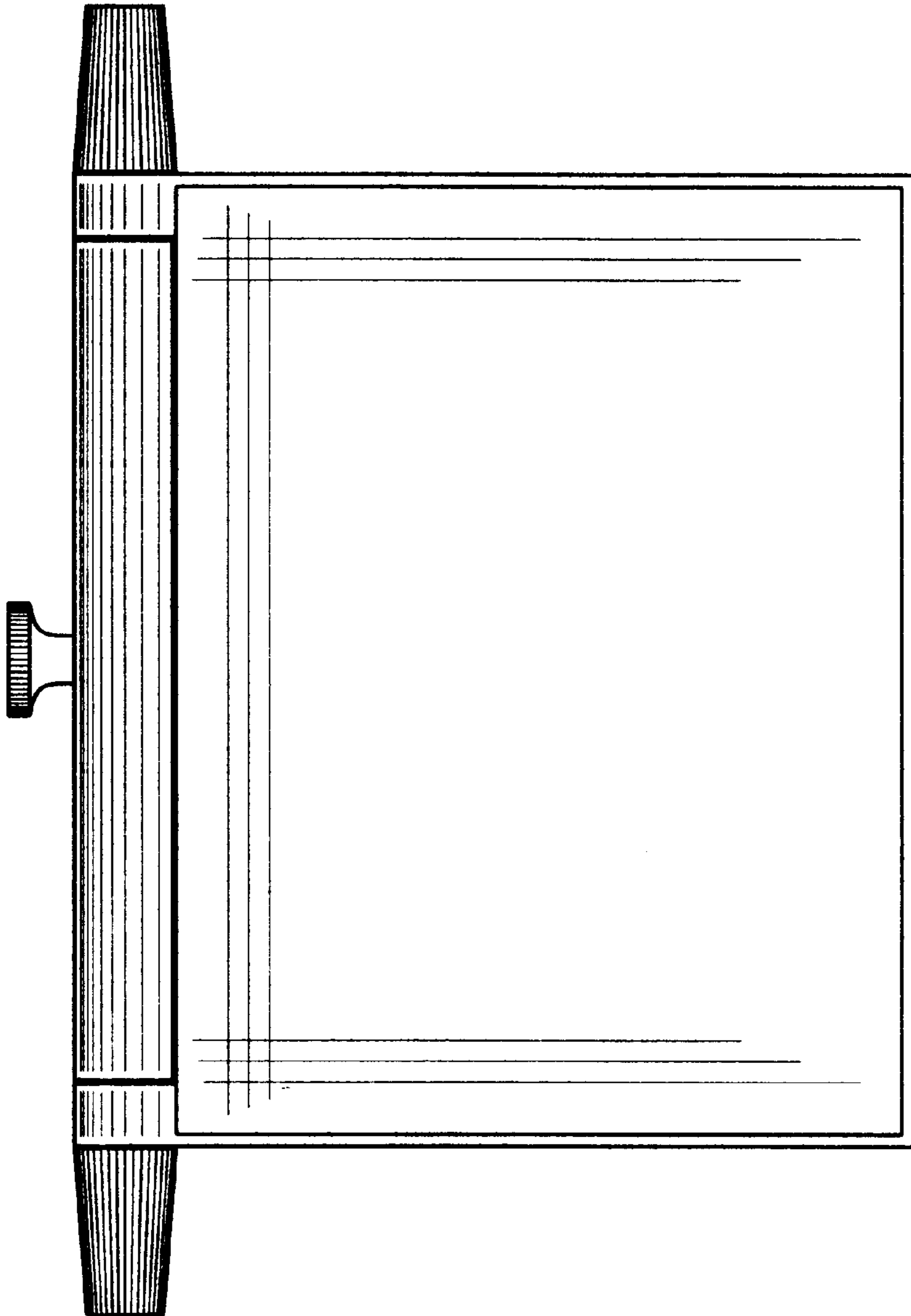


FIGURE 2

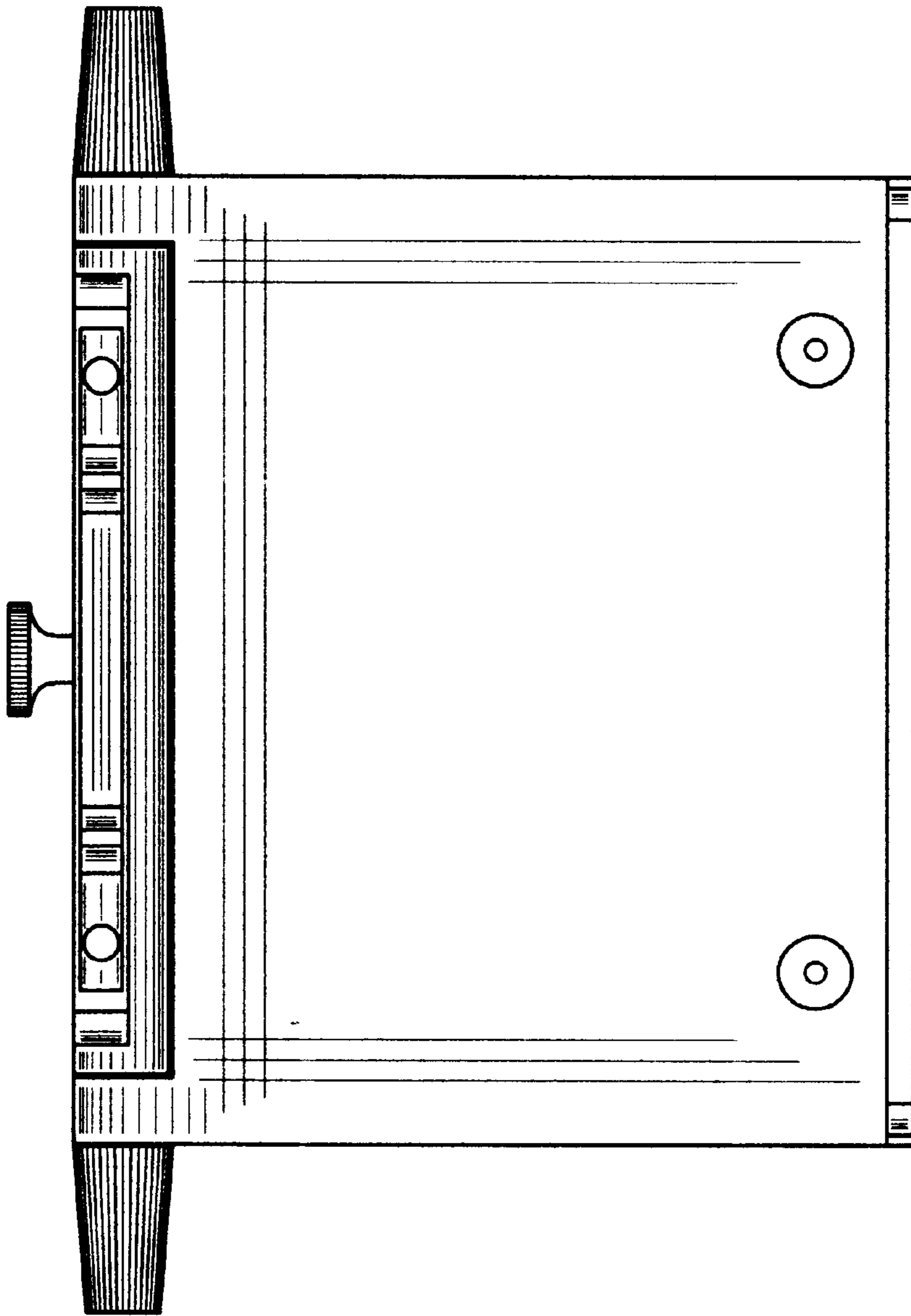


FIGURE 3

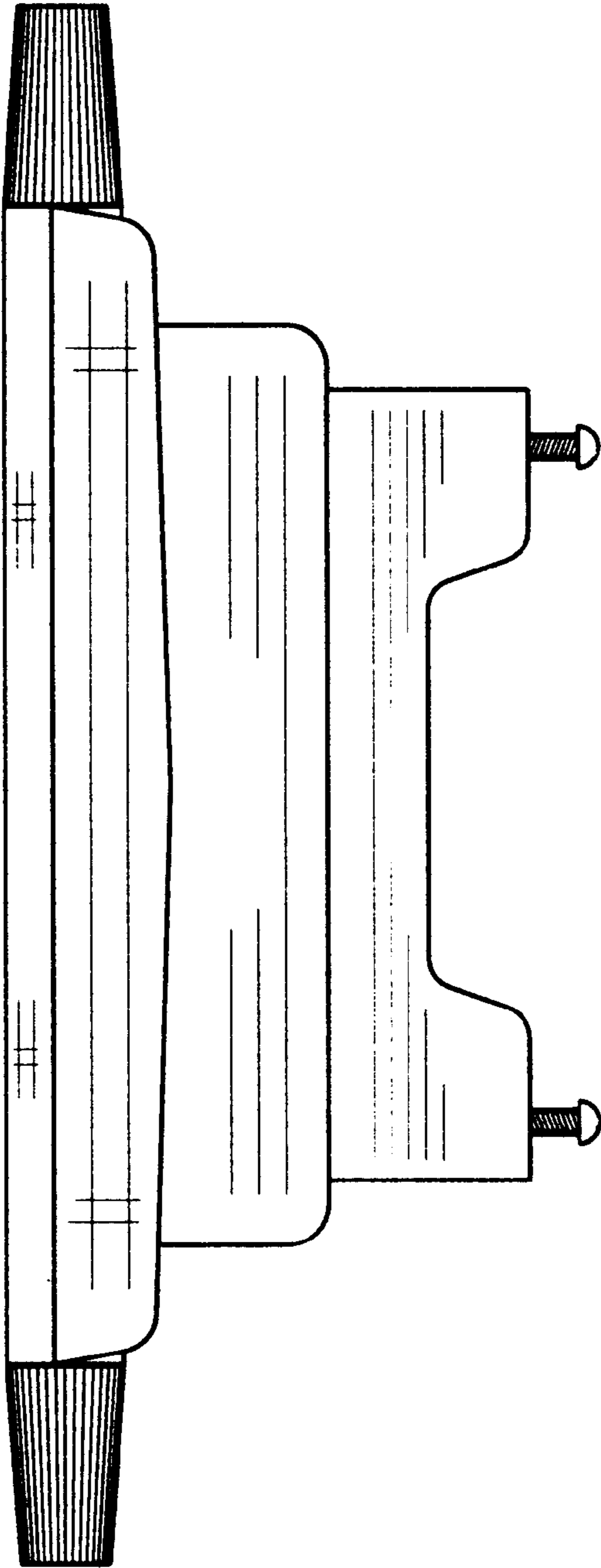


FIGURE 4

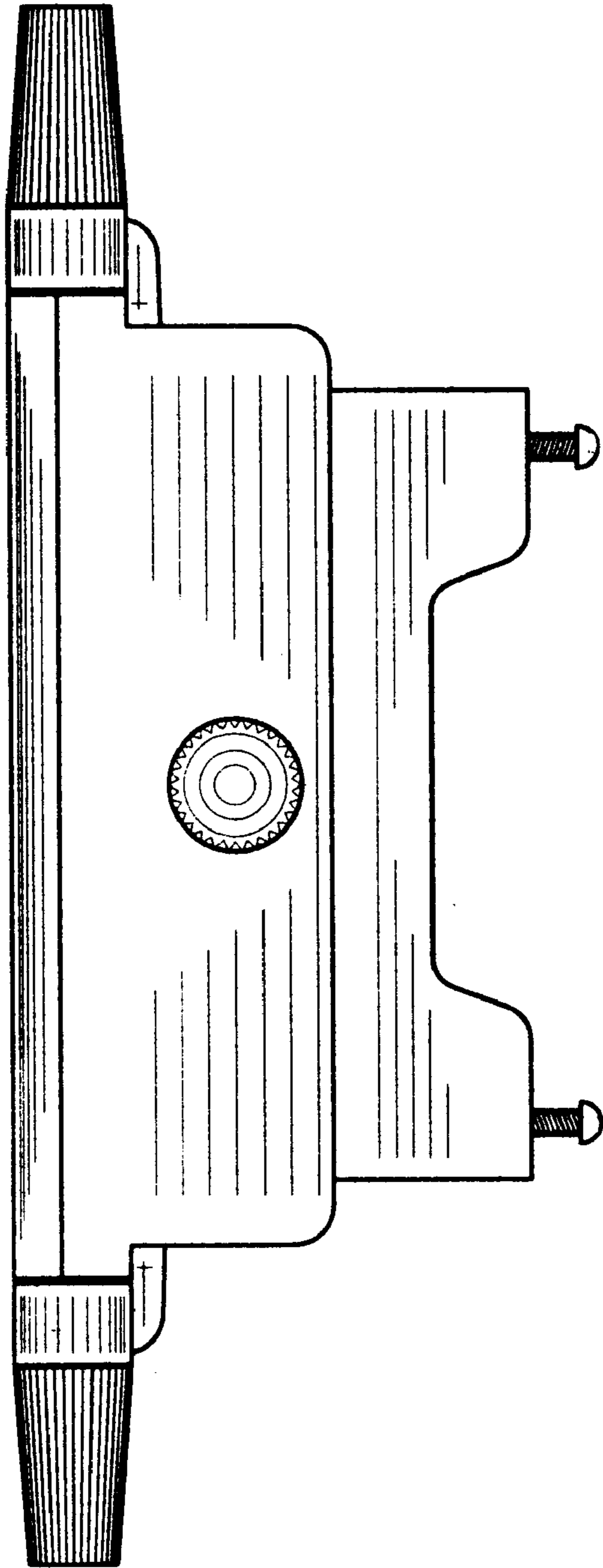


FIGURE 5

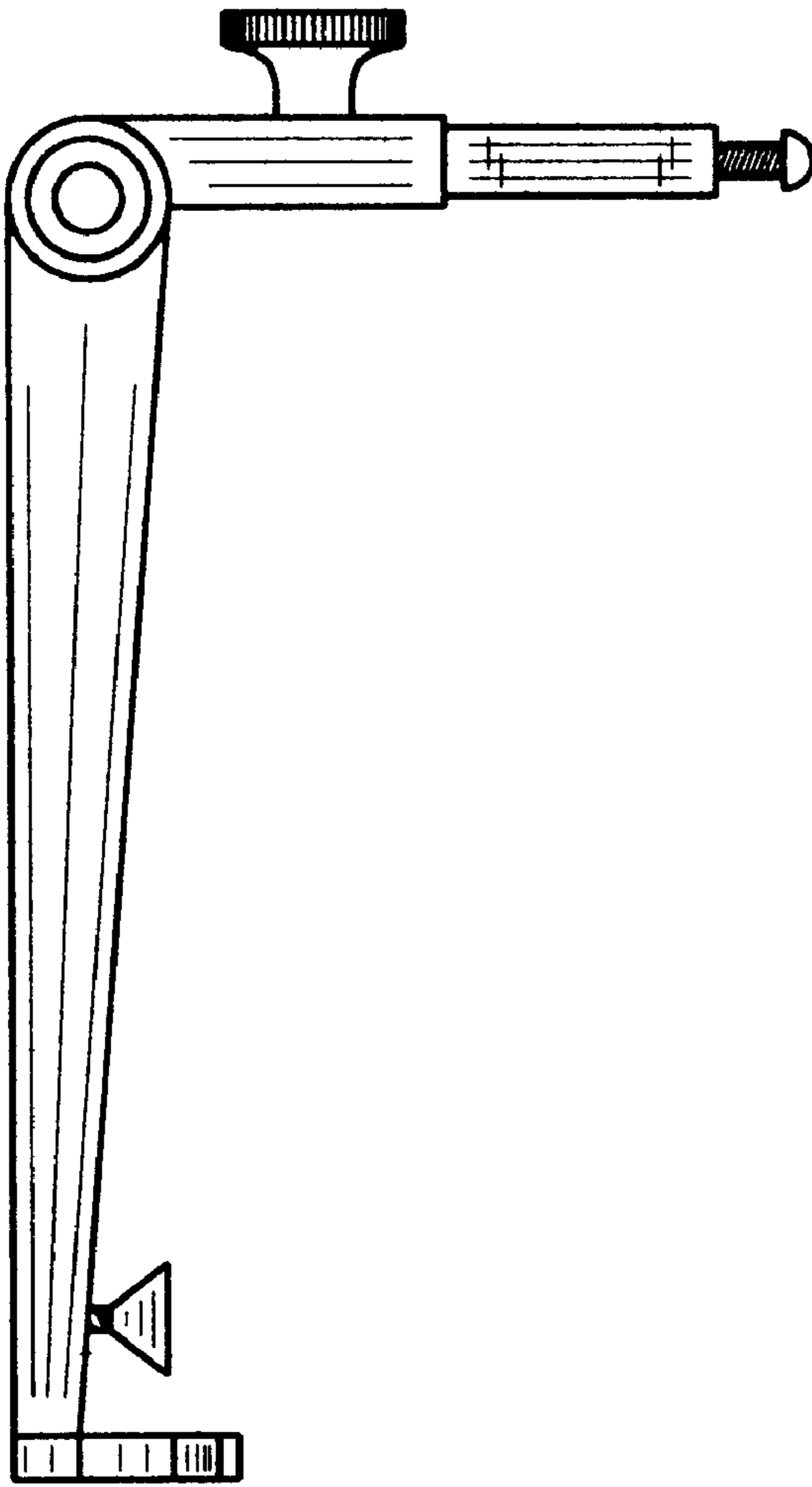


FIGURE 6

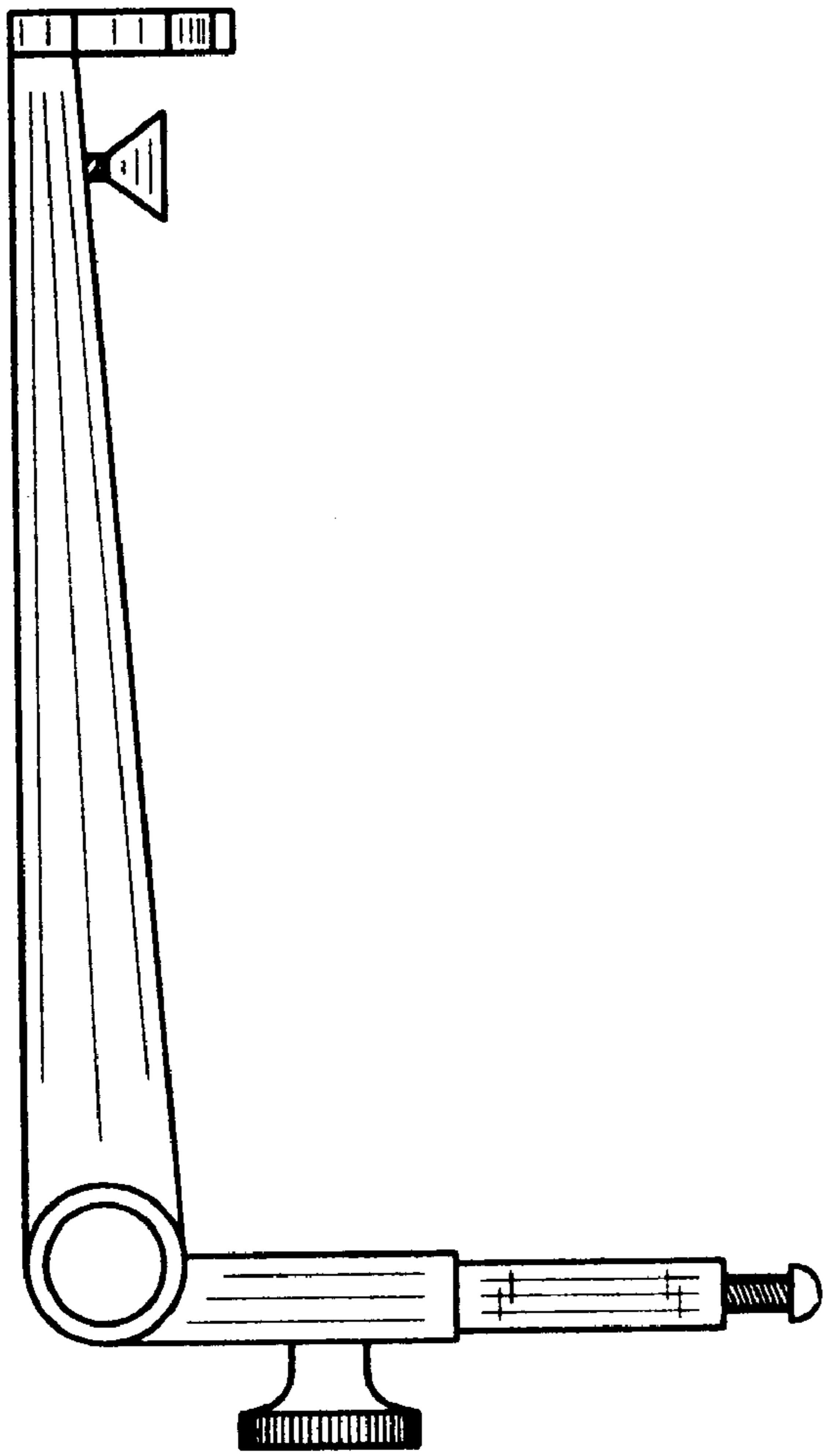


FIGURE 7