



US00D435377S

United States Patent [19]

Galati, Jr. et al.

[11] Patent Number: Des. 435,377

[45] Date of Patent: ** Dec. 26, 2000

[54] TRAY FOR A SALON CHAIR

[75] Inventors: **Joseph J. Galati, Jr.**, Brookfield; **John Meyerovich**, Fox Point; **Lev Yakubovich**, Milwaukee; **Glenn T. Walters**, Port Washington; **Dean R. Holzberger**, Belgium, all of Wis.

[73] Assignee: **European Touch Ltd., II**, Butler, Wis.

[**] Term: **14 Years**

[21] Appl. No.: **29/119,663**

[22] Filed: **Mar. 3, 2000**

Related U.S. Application Data

[62] Division of application No. 29/076,574, Sep. 10, 1997, Pat. No. Des. 424,819.

[51] **LOC (7) Cl.** **06-06**

[52] **U.S. Cl.** **D6/511; D6/500**

[58] **Field of Search** D6/333, 334, 335, D6/336, 338, 339, 360, 361, 367, 491, 500, 501, 502, 511, 406.3, 406.5, 406.6; D7/553.1, 552.2; 297/188.01, 188.09, 182, 243.21, 310, 148, 149, 174; 108/6, 157.1, 157.11

[56] **References Cited**

U.S. PATENT DOCUMENTS

D. 274,488	7/1984	Howitt	D6/406.6
D. 376,928	12/1996	Lorenzana et al.	D6/406.5
D. 418,327	1/2000	Sullins et al.	D6/406.3
5,720,226	2/1998	Padovano	108/25

Primary Examiner—Doris V. Coles
Assistant Examiner—Mimosa De
Attorney, Agent, or Firm—Greenberg, Traurig, LLP

[57] **CLAIM**

The ornamental design for a tray for a salon chair, as shown and described.

DESCRIPTION

FIG. 1 is a perspective view of a tray for a salon chair showing our new design; FIG. 2 is a front elevational view thereof; FIG. 3 is a side elevational view thereof; FIG. 4 is a rear elevational view thereof; FIG. 5 is a top plan view thereof; and, FIG. 6 is a bottom plan view thereof. The broken lines showing a portion of a chair are for the purpose of illustrating unclaimed environmental structure only.

1 Claim, 5 Drawing Sheets

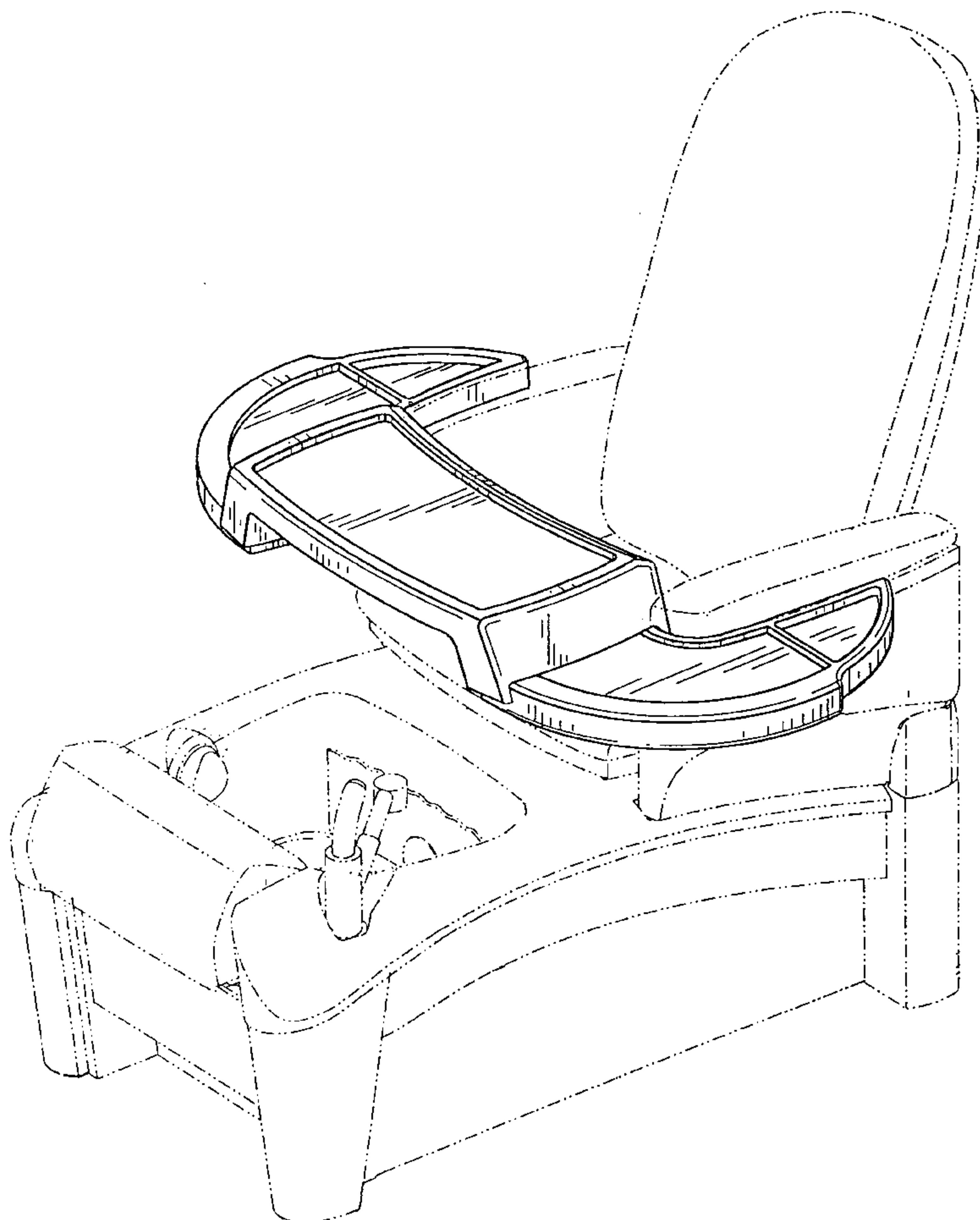


FIG. 1

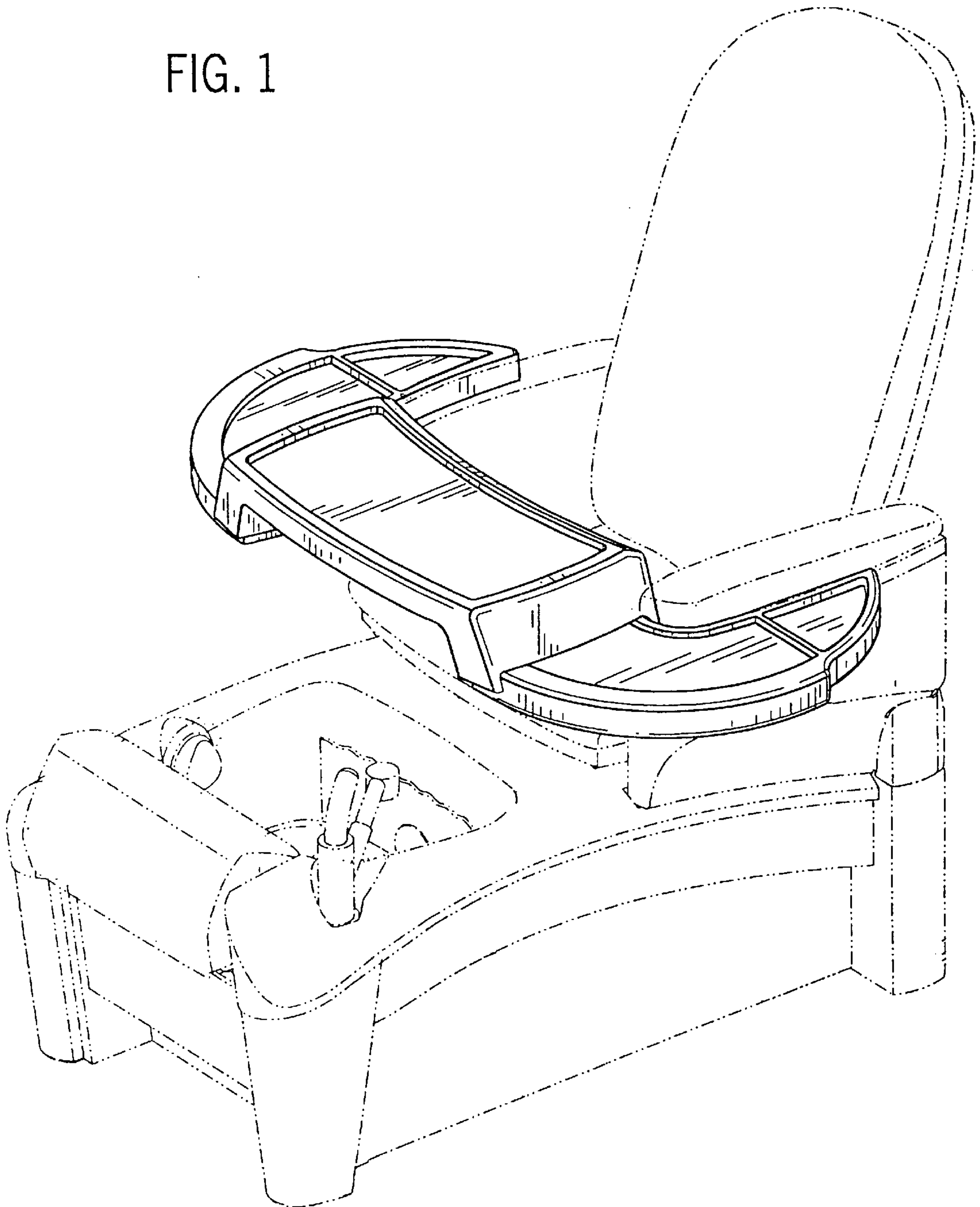


FIG. 2

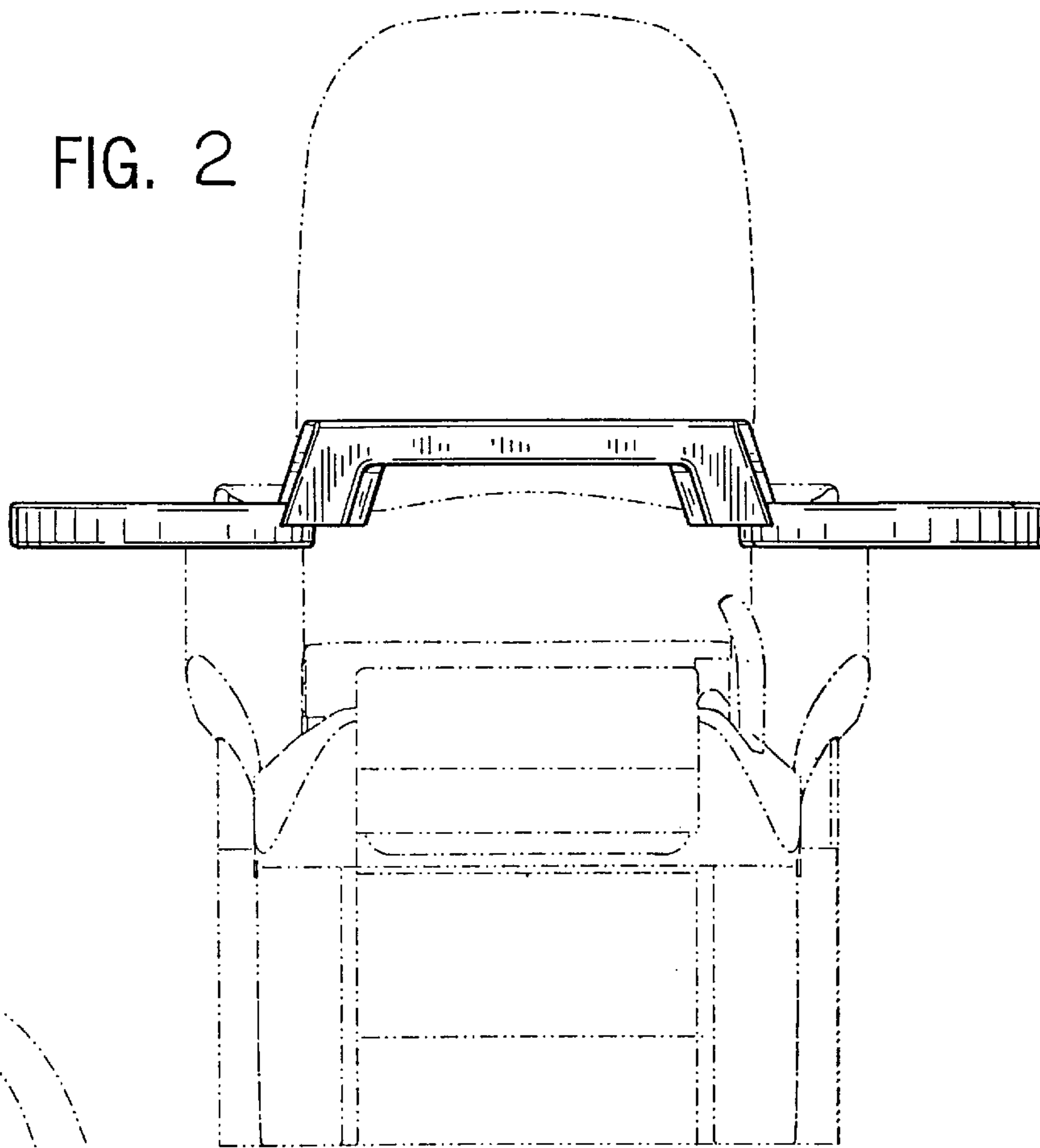


FIG. 4

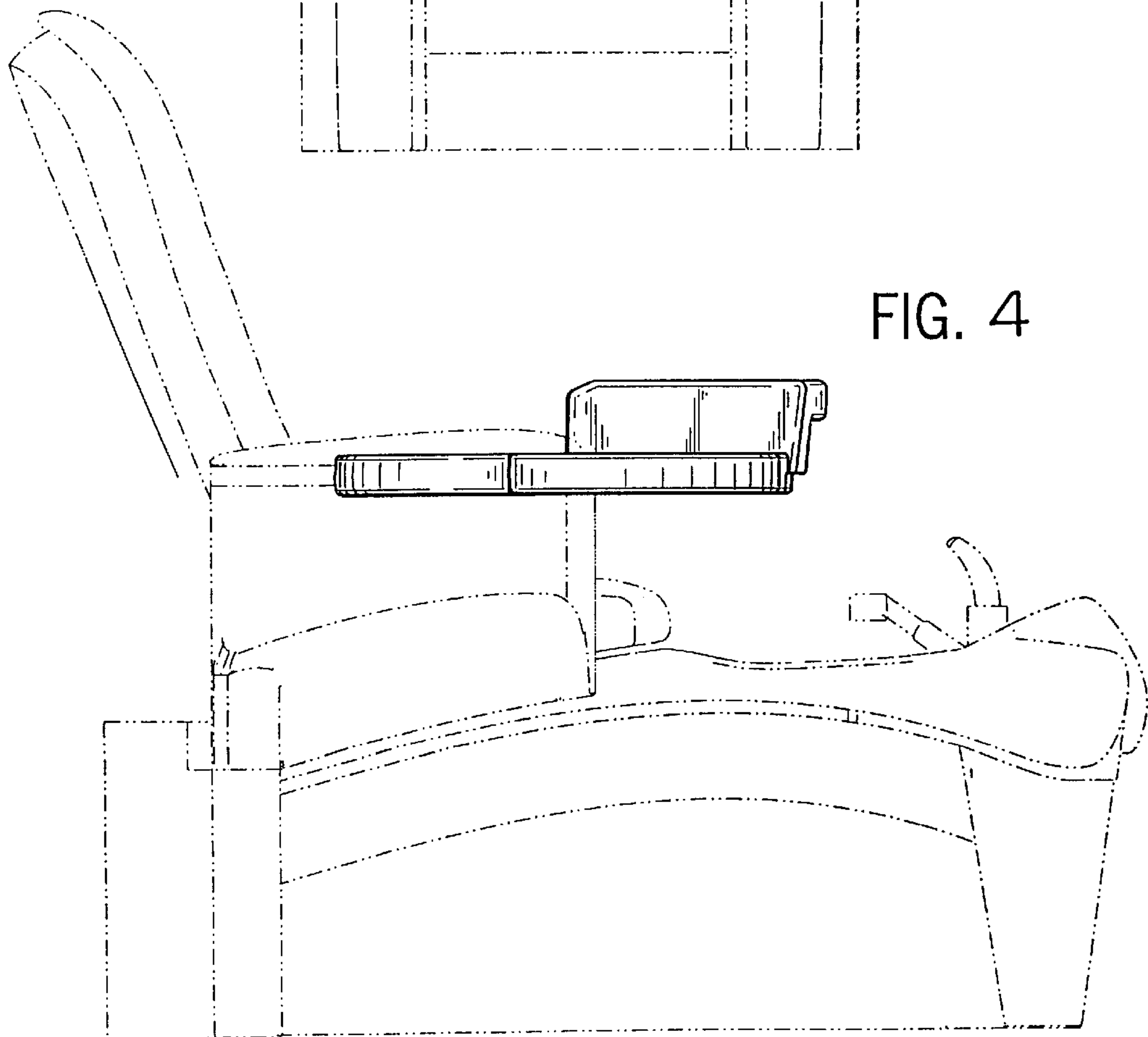


FIG. 3

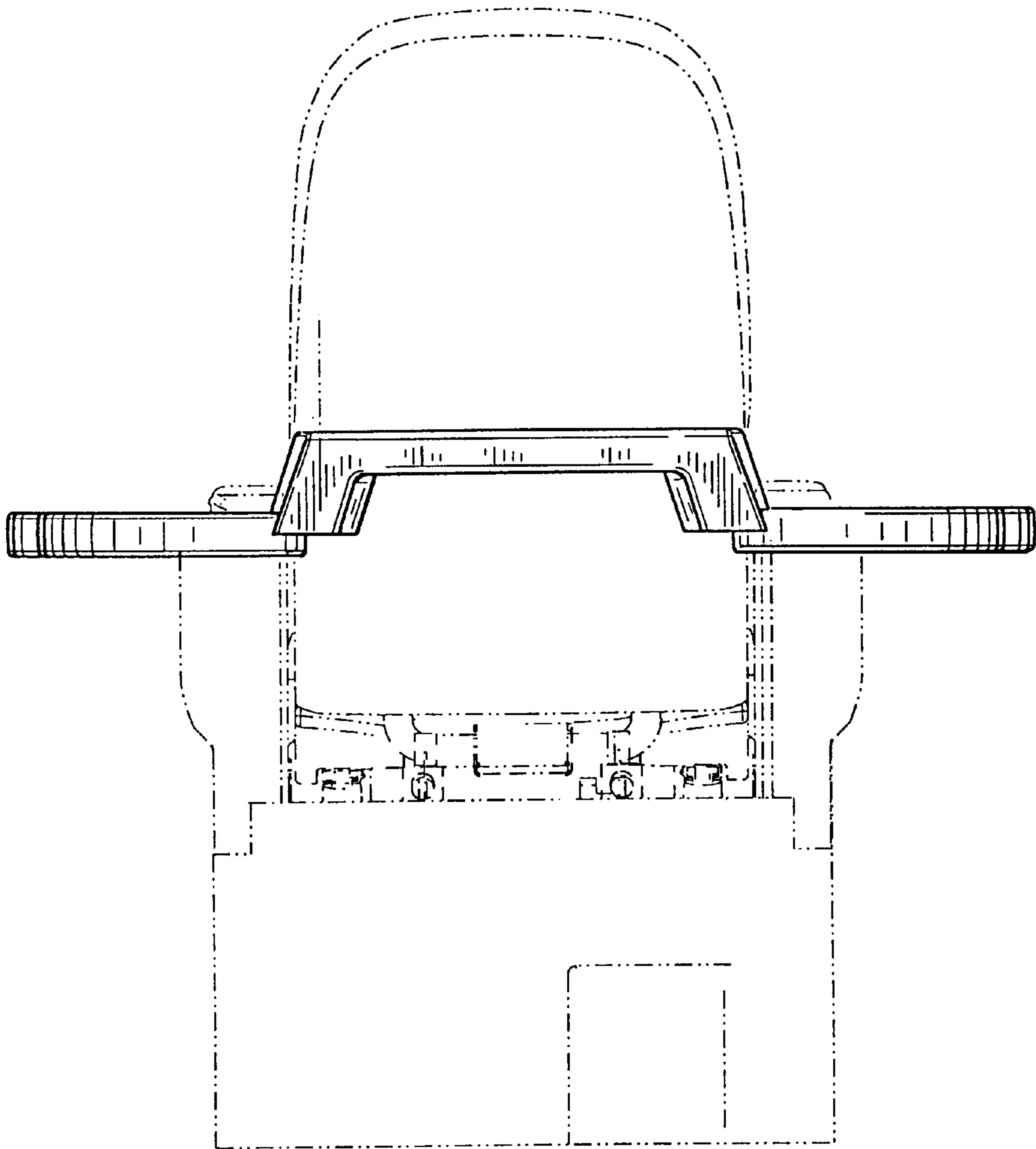


FIG. 5

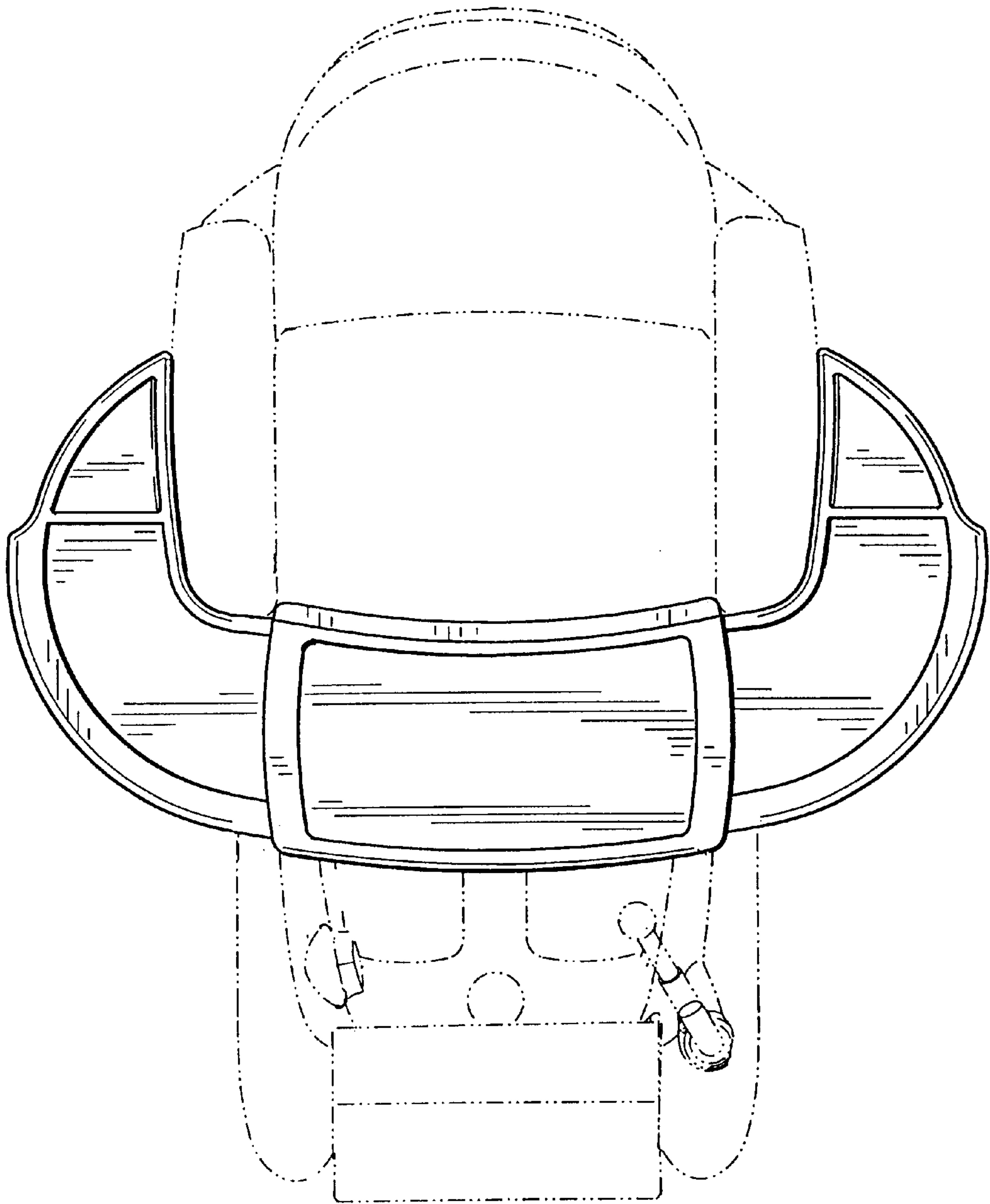


FIG. 6

