



US00D435373S

United States Patent [19]

[11] Patent Number: Des. 435,373

Perl

[45] Date of Patent: ** Dec. 26, 2000

[54] SLEEVE AND CORNER COVER FOR A HEIGHT ADJUSTABLE ARM REST

[75] Inventor: Ludovic A. Perl, Thornhill, Canada

[73] Assignee: Shepherd Products, Inc., Ontario, Canada

[**] Term: 14 Years

[21] Appl. No.: 29/102,193

[22] Filed: Mar. 19, 1999

[51] LOC (7) Cl. 06-06

[52] U.S. Cl. D6/501; D6/366

[58] Field of Search D6/334, 364, 365, D6/366, 367, 379, 491, 500, 501, 502; 297/411.2, 411.27, 411.35, 411.36

[56] References Cited

U.S. PATENT DOCUMENTS

D. 358,064	5/1995	Larkin	D6/366
D. 362,973	10/1995	Schultz	D6/366
D. 369,259	4/1996	Breen	D6/500
D. 372,595	8/1996	Schultz et al.	D6/366
D. 390,712	2/1998	Koepke et al.	D6/366
D. 395,761	7/1998	Saul	D6/366
D. 401,771	12/1998	Goodworth et al.	D6/366
D. 411,396	6/1999	Stumpf	D6/501
D. 411,929	7/1999	Stumpf	D6/501
455,168	6/1891	Case	.	
2,325,292	7/1943	Westrope	.	
4,036,525	7/1977	Howk	.	
4,438,975	3/1984	Williams	.	
4,452,487	6/1984	Plowman	.	
4,546,668	10/1985	Mattsson	.	
4,659,135	4/1987	Johnson	.	
4,660,885	4/1987	Suhr et al.	.	

4,828,323	5/1989	Brodersen et al.	.
5,265,938	11/1993	Melhuish et al.	.
5,318,347	6/1994	Tseng	.
5,324,096	6/1994	Schultz	.
5,368,365	11/1994	Feldberg	.
5,382,079	1/1995	Wilson et al.	.
5,388,892	2/1995	Tornero	.
5,393,125	2/1995	Watson et al.	.
5,435,626	7/1995	Lai	.
5,586,811	12/1996	Tornero	.

Primary Examiner—Gary D. Watson
Attorney, Agent, or Firm—Lee, Mann, Smith, McWilliams, Sweeney and Ohlson

[57] CLAIM

The ornamental design for a sleeve and corner cover for a height adjustable arm rest, as shown and described.

DESCRIPTION

FIG. 1 is a perspective view of the sleeve and corner cover for a height adjustable arm rest incorporating the design of the present invention.

FIG. 2 is a front elevational view of the sleeve and corner cover for a height adjustable arm rest.

FIG. 3 is a side view of the sleeve and corner cover for a height adjustable arm rest.

FIG. 4 is a top plan view of the sleeve and corner cover for a height adjustable arm rest.

FIG. 5 is a bottom plan view of the sleeve and corner cover for a height adjustable arm rest; and,

FIG. 6 is a rear elevational view of the sleeve and corner cover for a height adjustable arm rest.

The broken lines shown in FIGS. 1, 2, 3 and 6 are for illustrative purposes only and form no part of the claimed design.

1 Claim, 2 Drawing Sheets

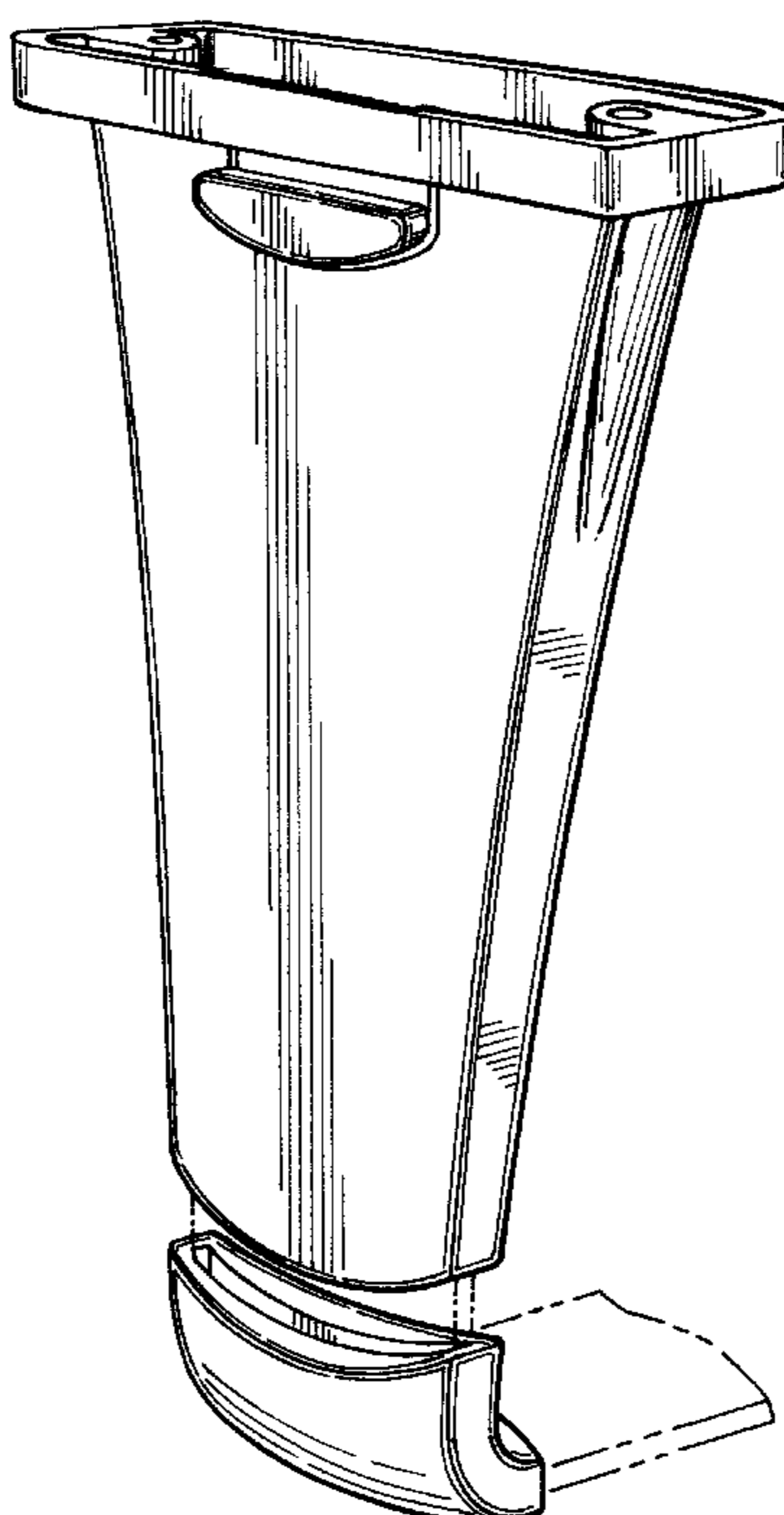


FIG. 1

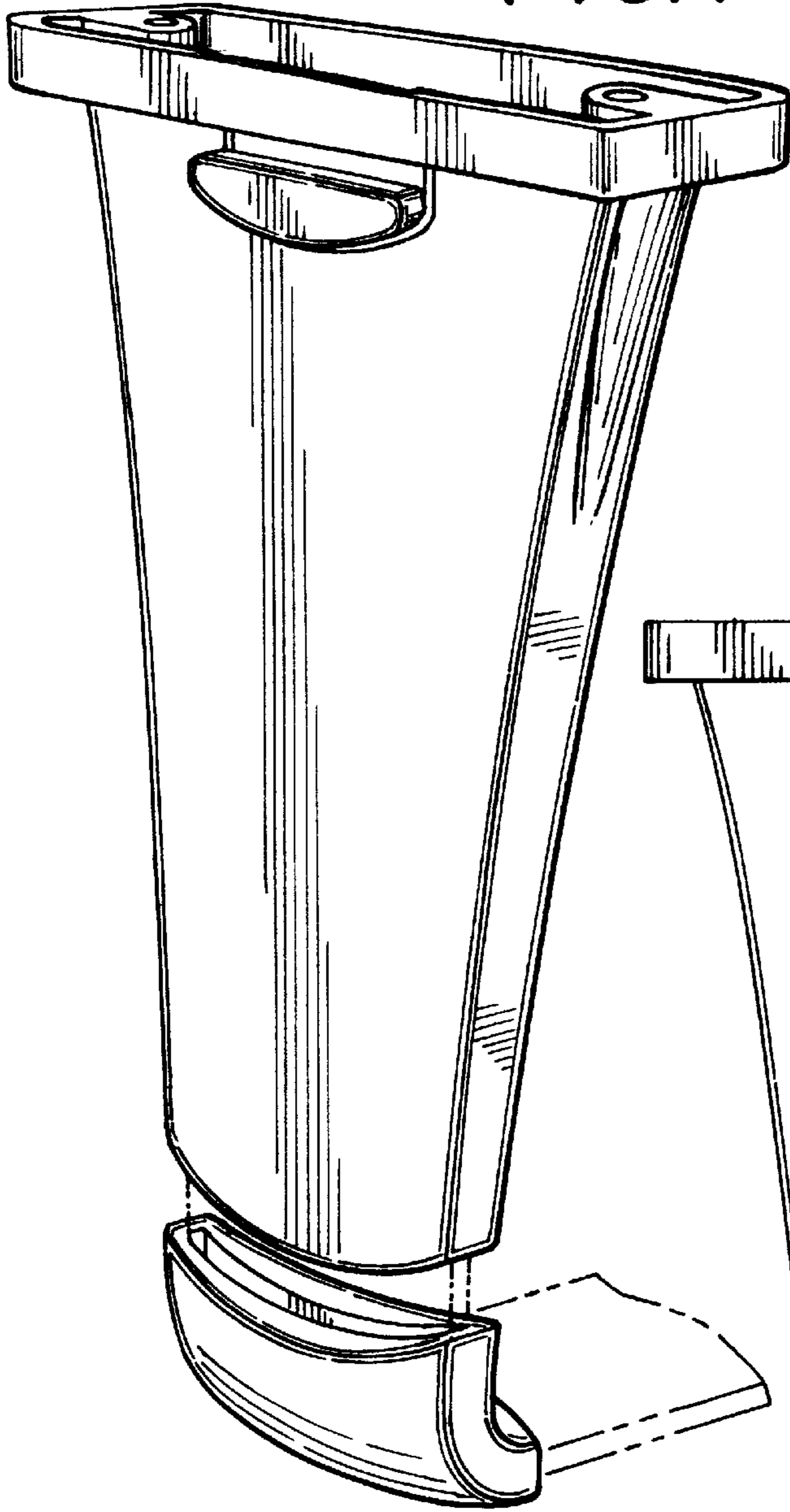


FIG. 2

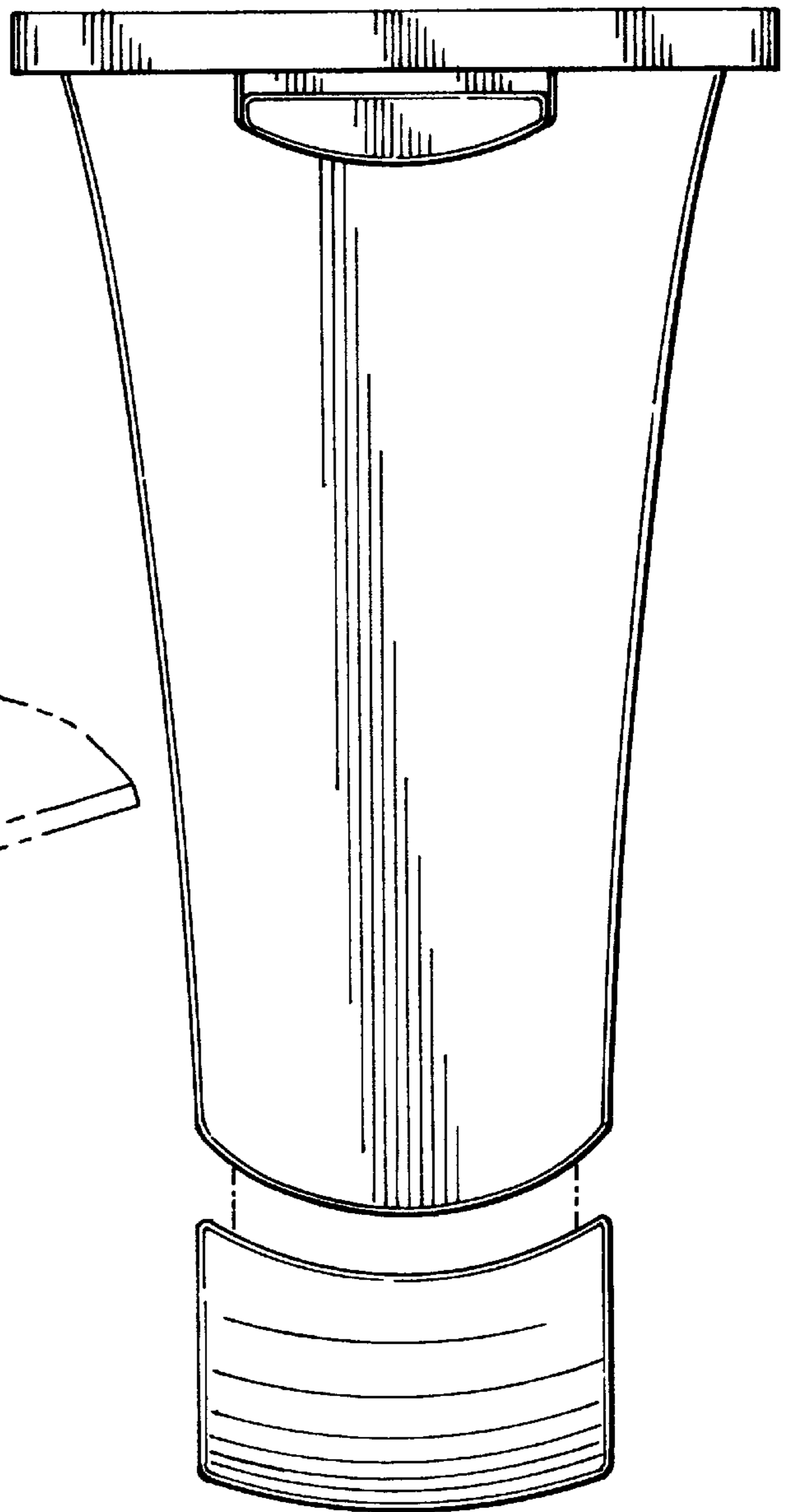


FIG.3

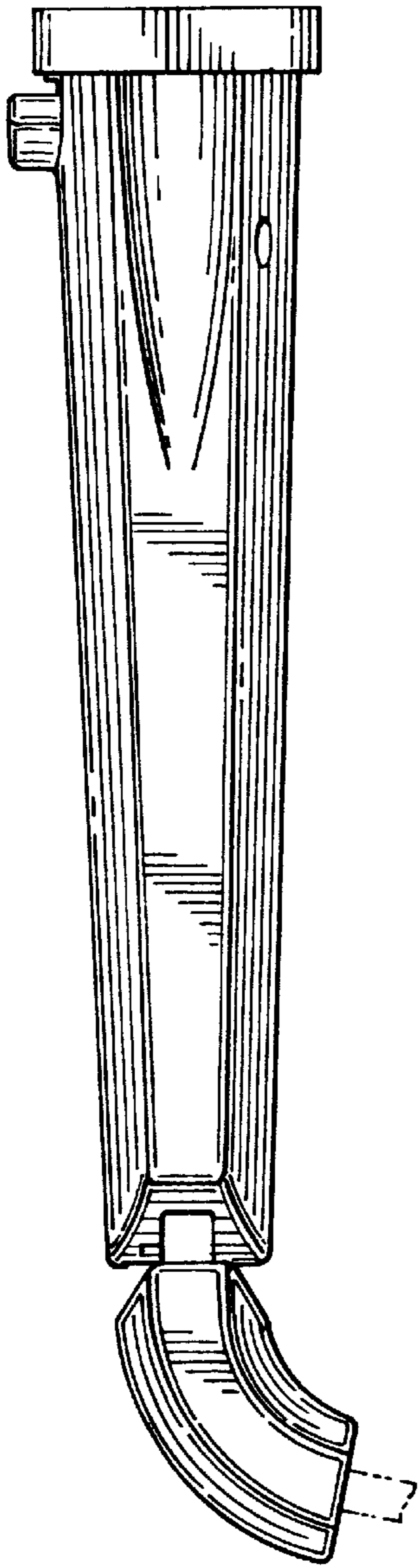


FIG.4

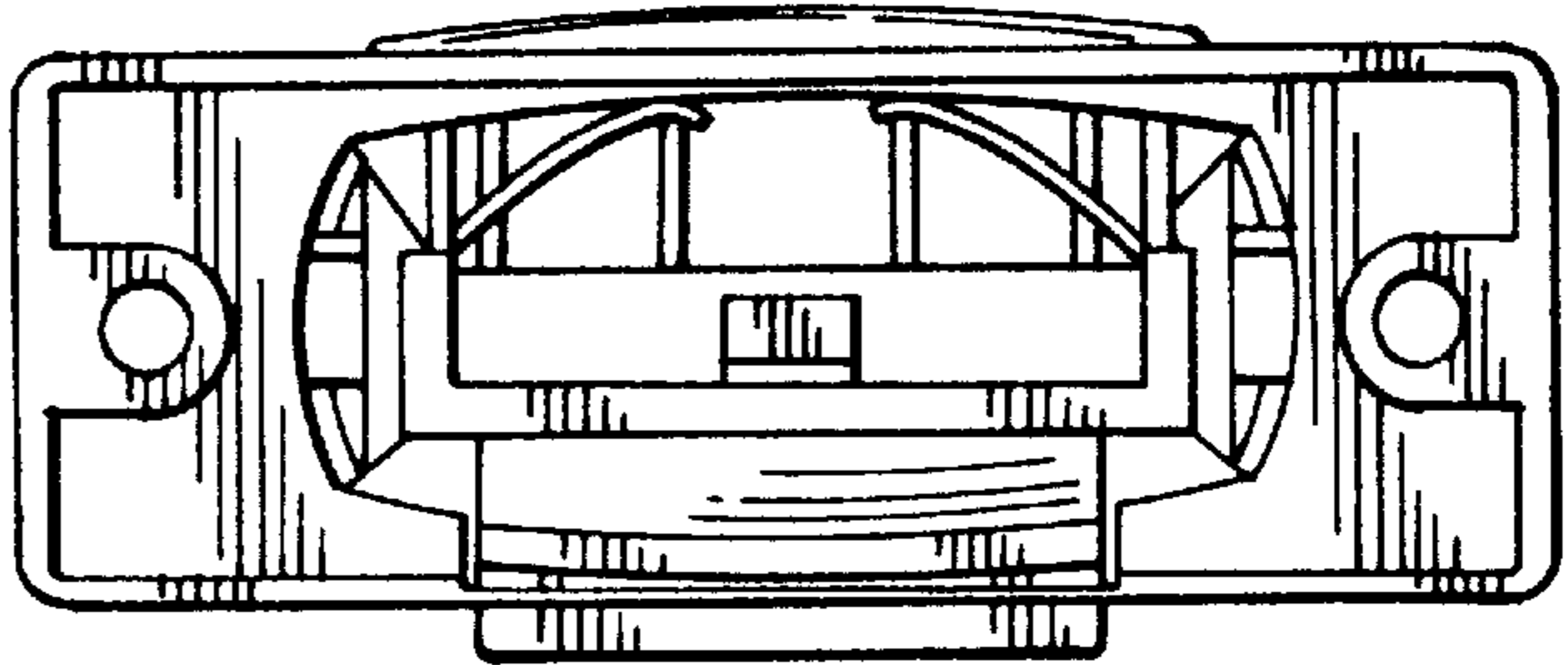


FIG.6

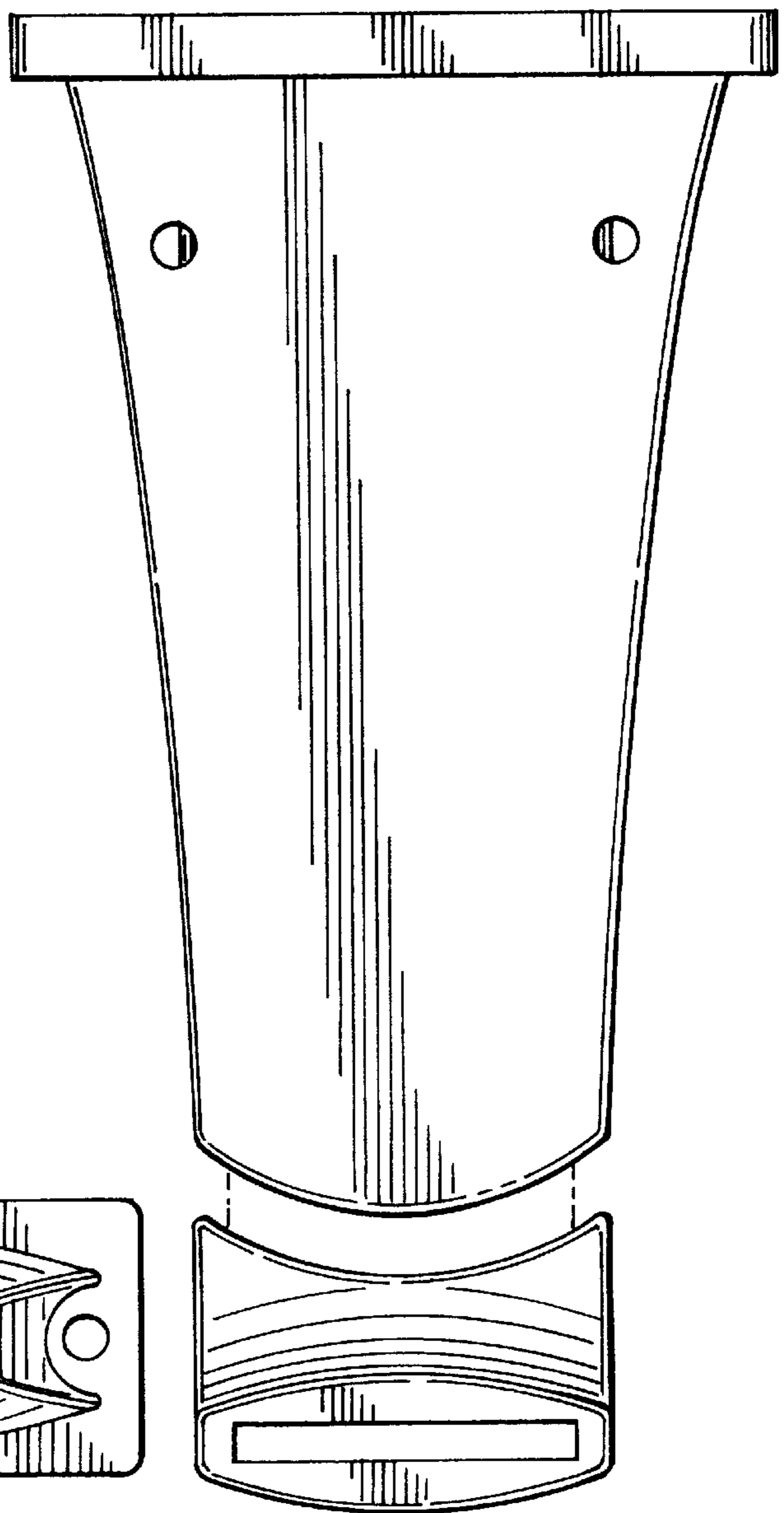


FIG.5

