



US00D435370S

United States Patent [19] Gutgsell

[11] **Patent Number: Des. 435,370**

[45] **Date of Patent: ** Dec. 26, 2000**

[54] **TABLE LEG SUPPORT**

[75] Inventor: **David R. Gutgsell, Jasper, Ind.**

[73] Assignee: **Ditto Sales, Inc., Jasper, Ind.**

[**] Term: **14 Years**

[21] Appl. No.: **29/115,413**

[22] Filed: **Dec. 14, 1999**

D. 379,127	5/1997	Schacht	D6/495
D. 412,256	7/1999	Gutgsell	D6/495
D. 424,844	5/2000	Gutgsell	D6/495

Primary Examiner—Janice E. Seeger
Attorney, Agent, or Firm—Baker & Daniels

[57] CLAIM

The ornamental design for a table leg support, as shown and described.

DESCRIPTION

FIG. 1 is an enlarged fragmentary view of a table leg support, showing the central mesh feature for convenience of illustration;

FIG. 2 is a perspective view of the table leg support;

FIG. 3 is an end elevational view;

FIG. 4 is an end elevational view, showing the opposite end of that shown in FIG. 3;

FIG. 5 is a side elevational view, the opposite side being identical thereto;

FIG. 6 is a top plan view; and,

FIG. 7 is a bottom plan view thereof.

The broken lines are for environmental purposes only and form no part of the claimed design.

Related U.S. Application Data

[62] Division of application No. 29/106,132, Jun. 9, 1999, Pat. No. Des. 424,844, which is a division of application No. 29/087,418, May 1, 1998, Pat. No. Des. 412,256.

[51] **LOC (7) Cl.** **06-06**

[52] **U.S. Cl.** **D6/498; D6/495**

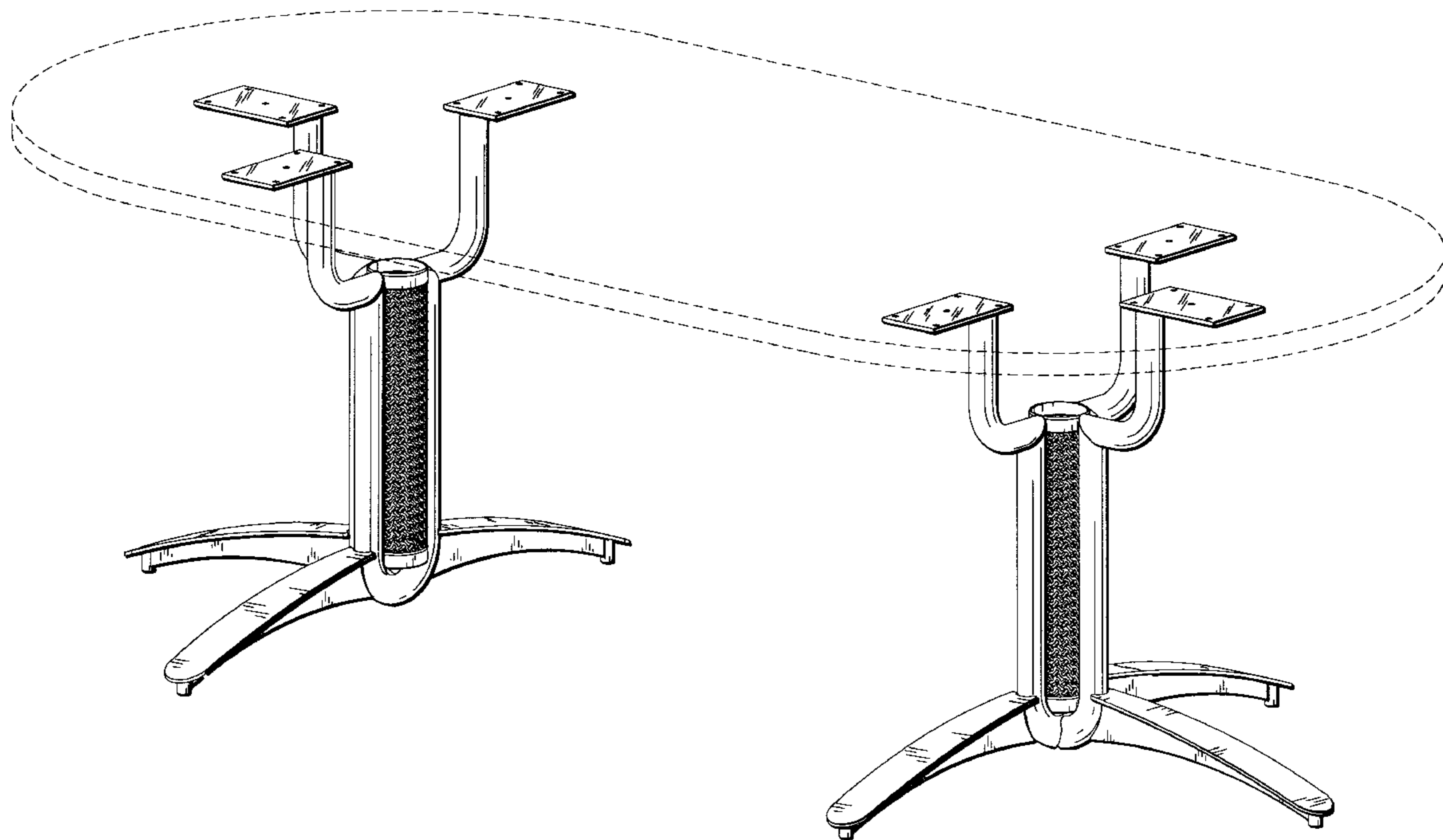
[58] **Field of Search** D6/480-489, 495-499;
108/150, 153.1, 155, 156, 157.1, 161; 248/188,
188.1, 188.7

[56] References Cited

U.S. PATENT DOCUMENTS

D. 350,446	9/1994	Sauvage	D6/480
D. 350,660	9/1994	Klein	D6/480

1 Claim, 7 Drawing Sheets



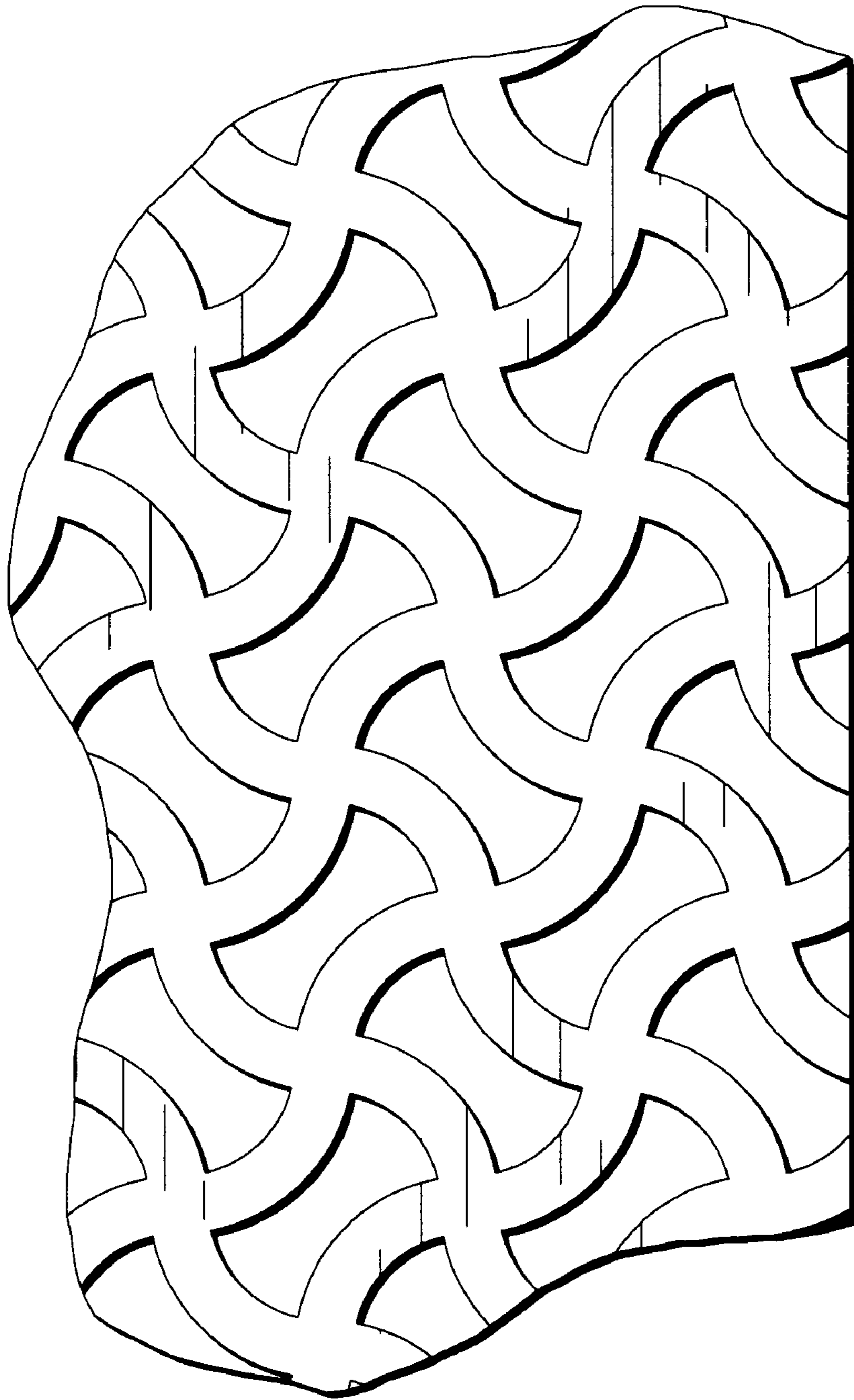


Fig. 1

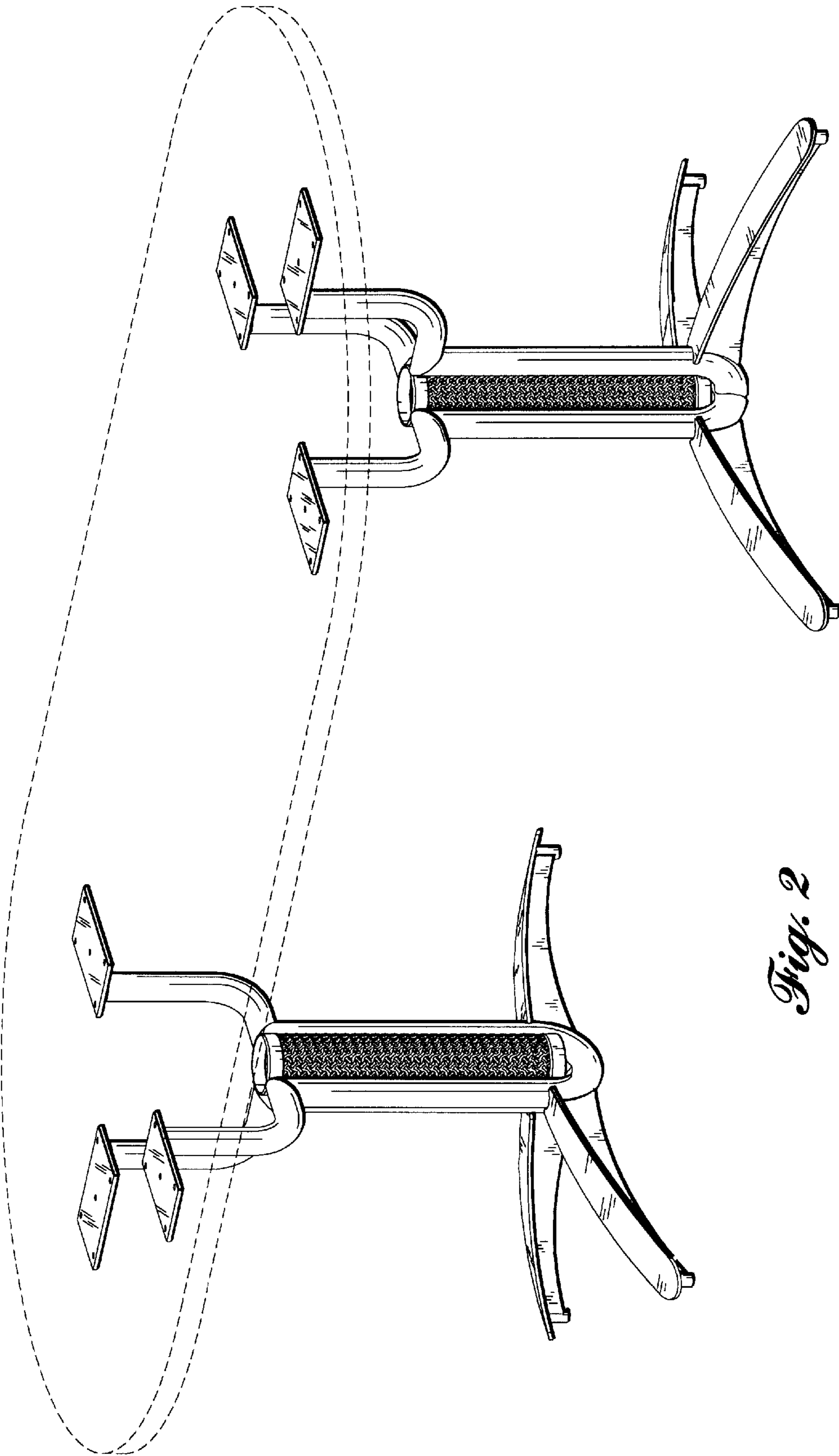


Fig. 2

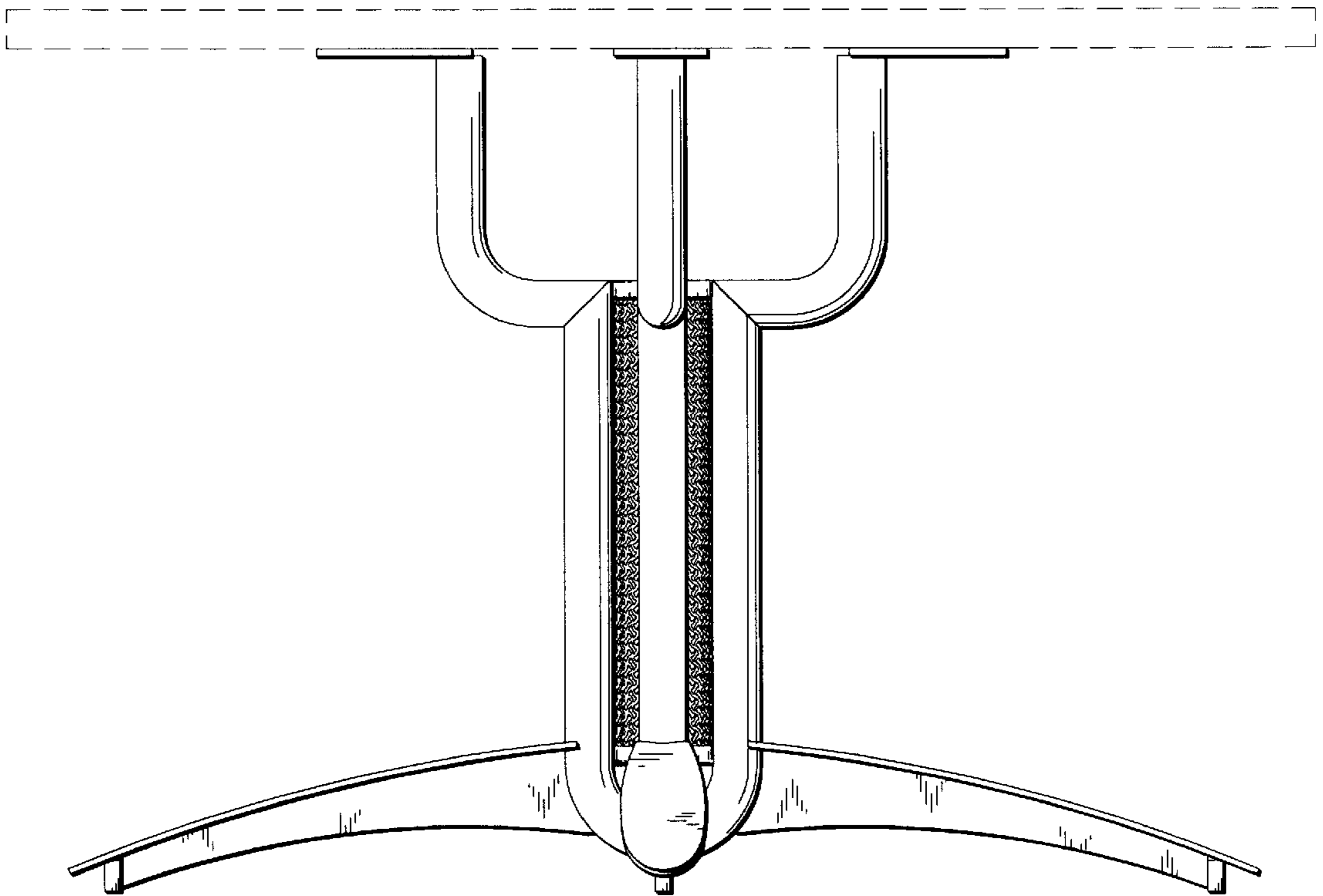


Fig. 3

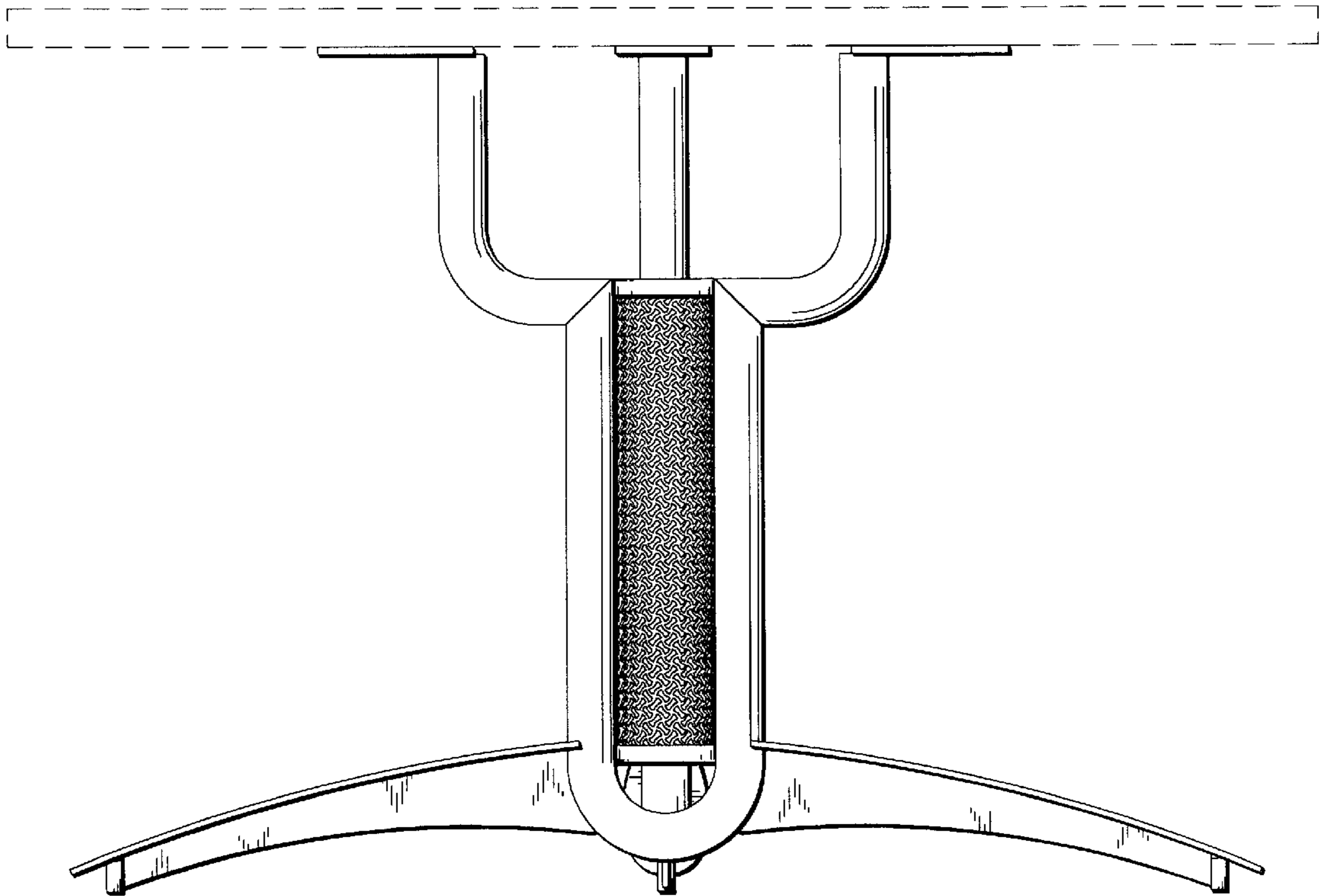


Fig. 4

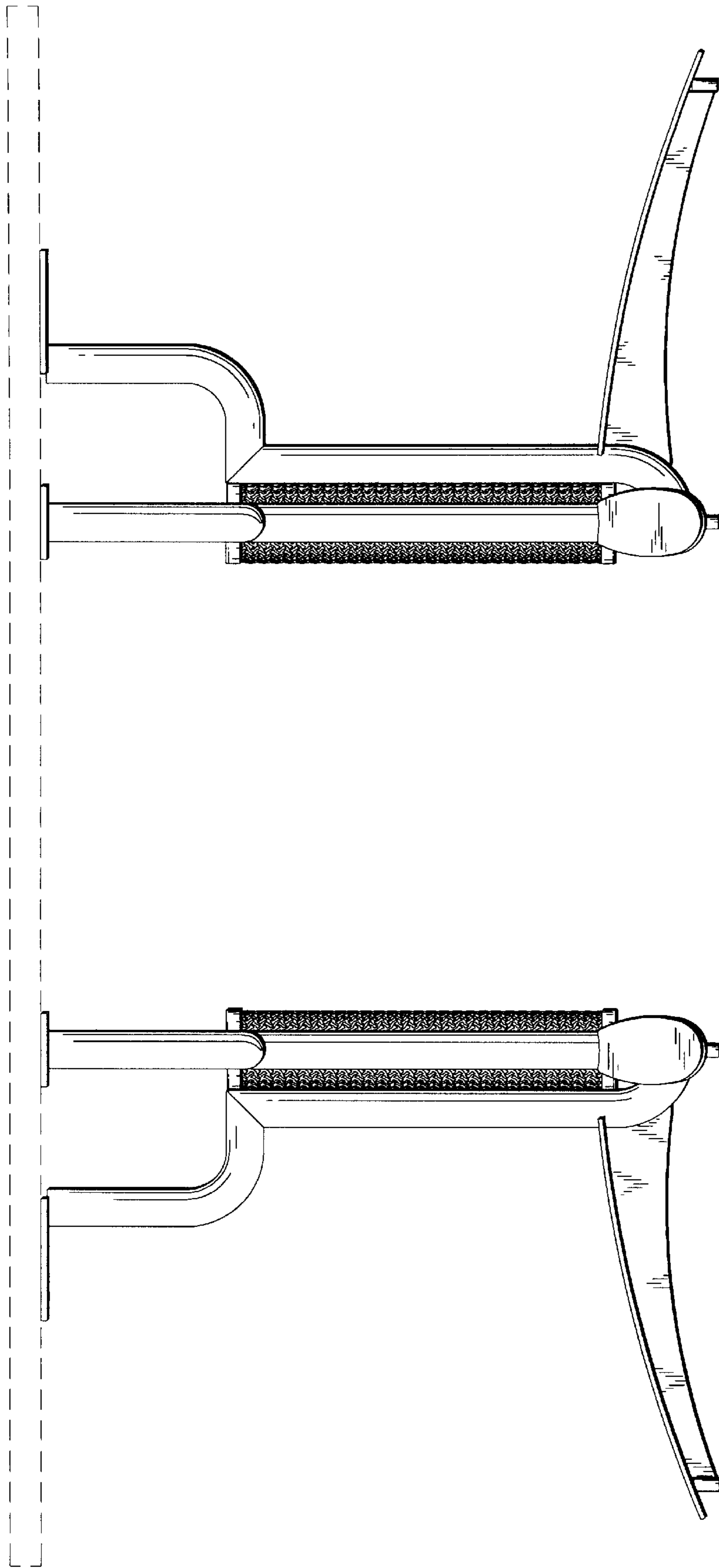


Fig. 5

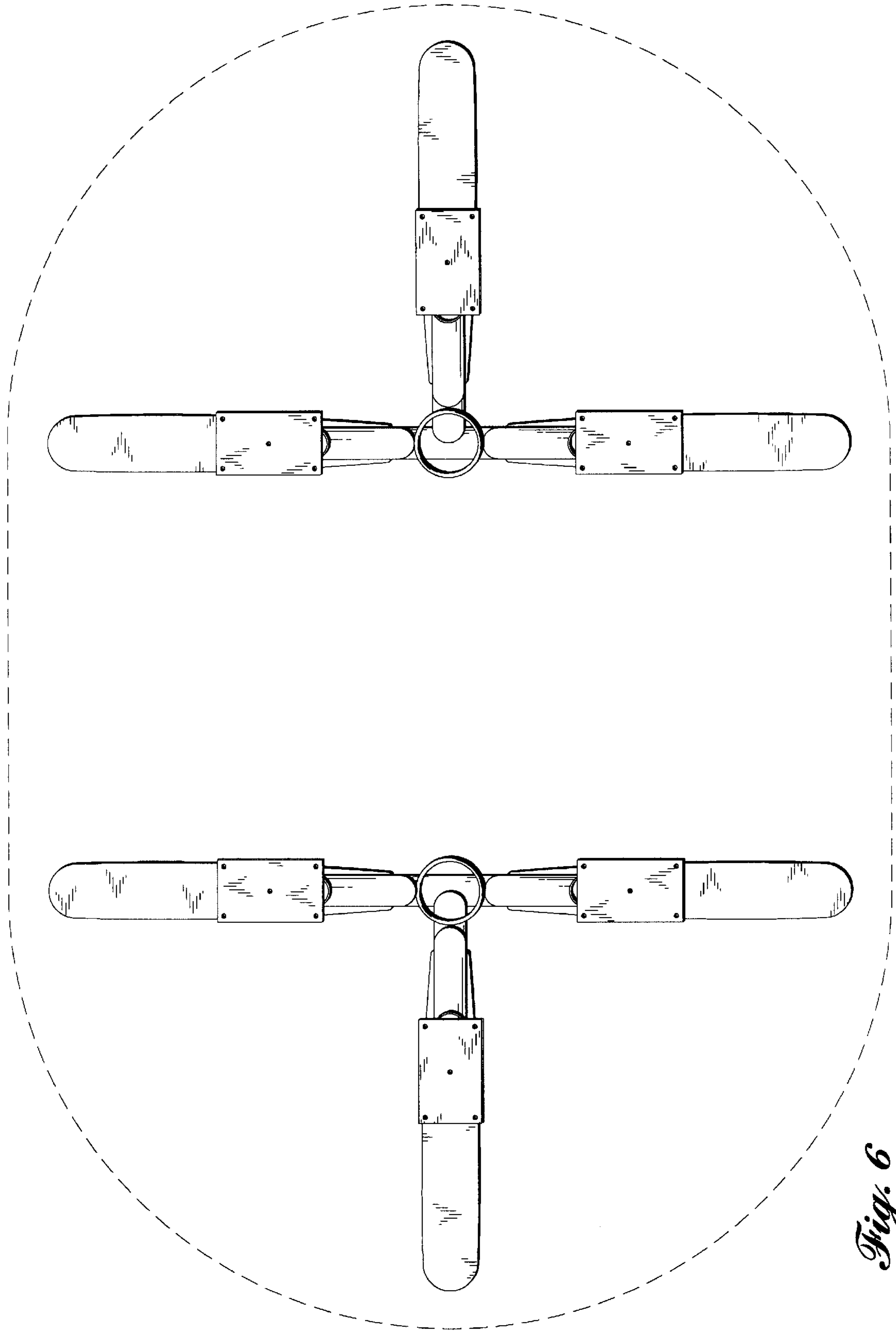


Fig. 6

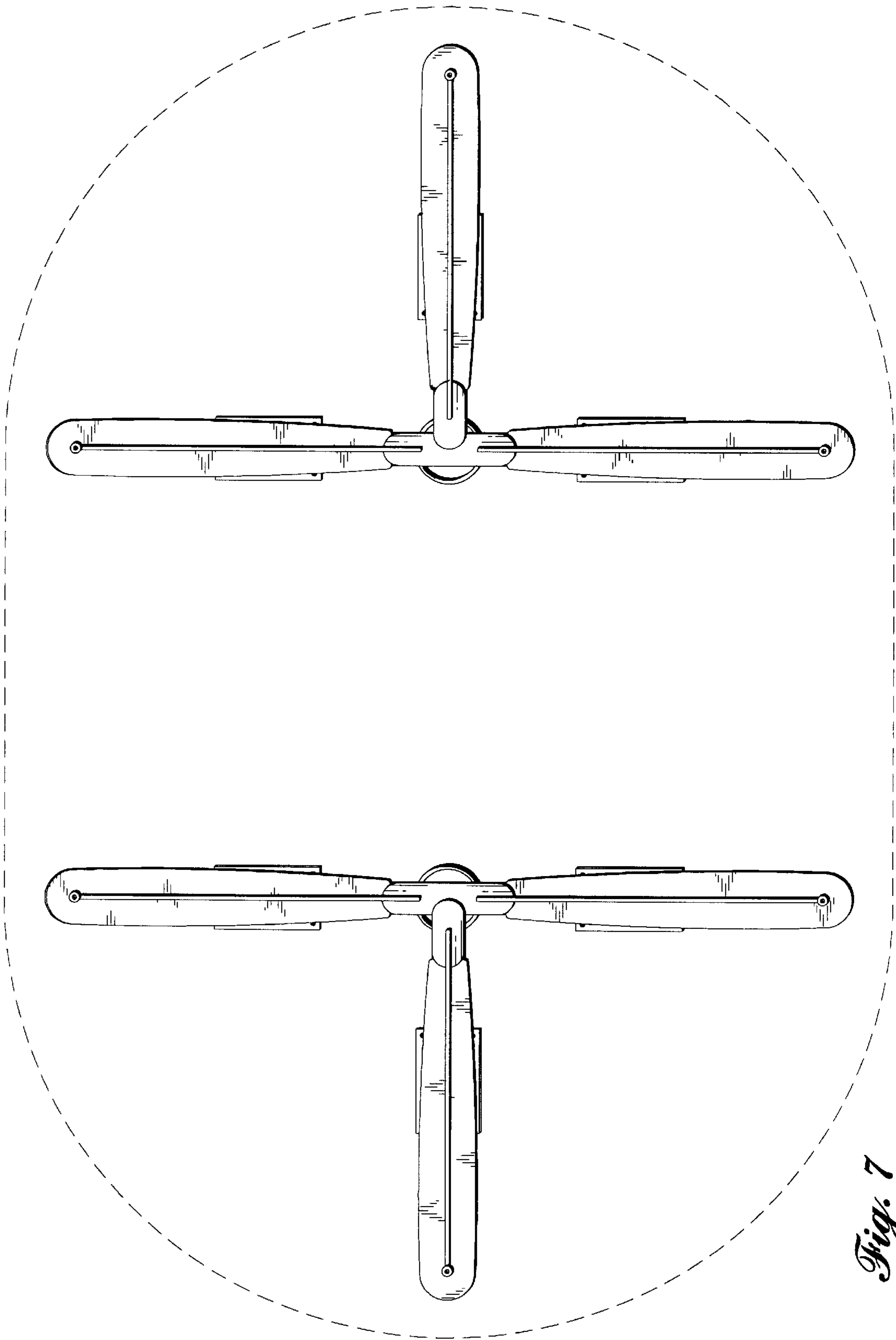


Fig. 7