



US00D435368S

United States Patent [19] Tzeng

[11] **Patent Number: Des. 435,368**

[45] **Date of Patent: ** Dec. 26, 2000**

[54] **COMPUTER DESK**

[76] Inventor: **Ren Ju Tzeng**, 4-2Chung Liao Road,
Pei Tou Township, Changhua Hsien,
Taiwan

[**] Term: **14 Years**

[21] Appl. No.: **29/122,940**

[22] Filed: **May 8, 2000**

[51] **LOC (7) Cl.** **06-03**

[52] **U.S. Cl.** **D6/480; D6/426**

[58] **Field of Search** D6/422, 423, 426-428,
D6/429, 480-485, 511; 108/59, 50.01, 50.02;
312/194-196, 208.1

[56] **References Cited**

U.S. PATENT DOCUMENTS

- D. 278,108 3/1985 Lyman et al. D6/426
- D. 302,890 8/1989 Ng et al. D34/21
- D. 315,261 3/1991 Ng et al. D6/426

- D. 334,856 4/1993 Sielaff D6/474
- D. 414,350 9/1999 Fear et al. D6/426
- 5,845,586 12/1998 Moore 108/50.01

Primary Examiner—Janice E. Seeger
Attorney, Agent, or Firm—Rabin & Champagne, P.C.

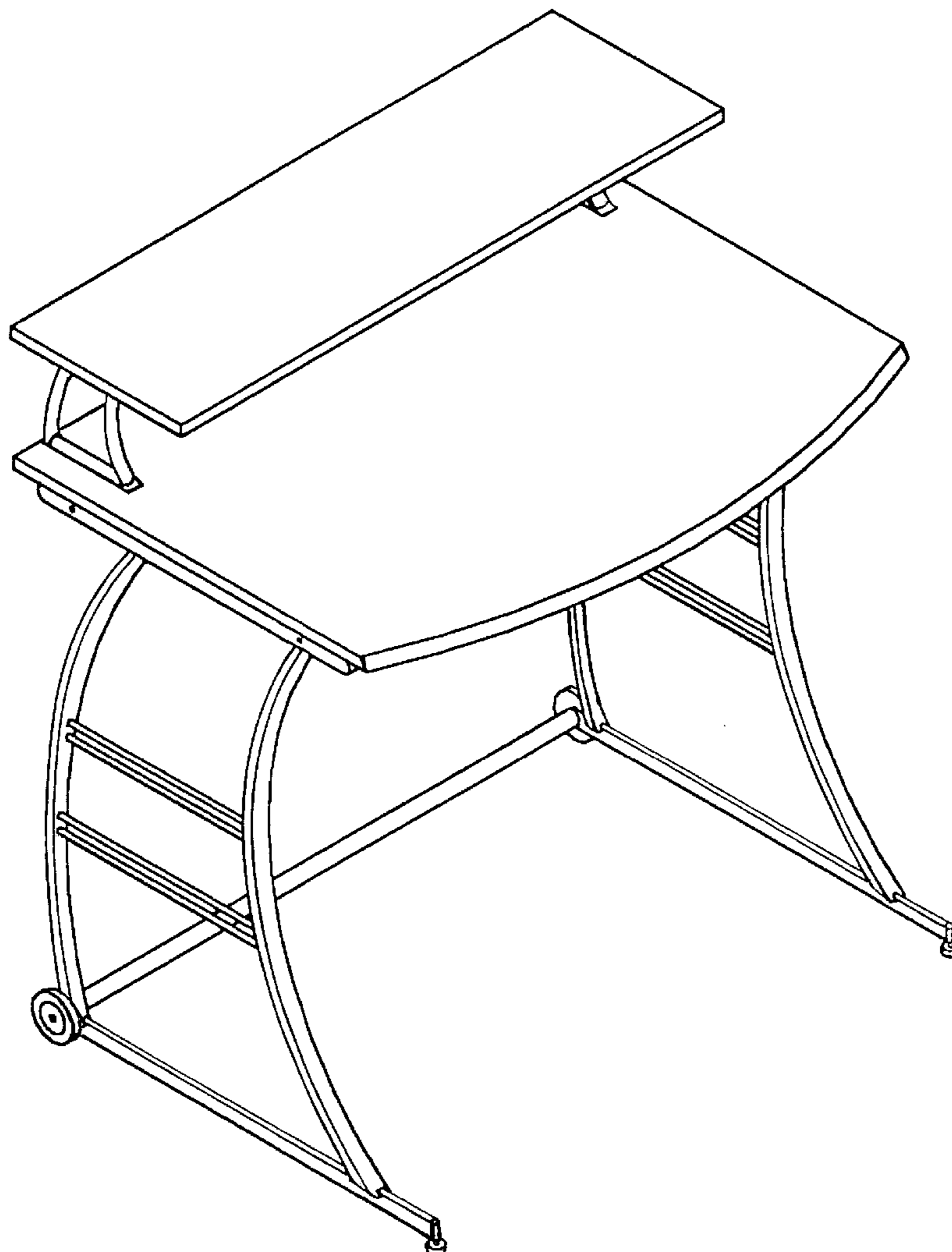
[57] **CLAIM**

The ornamental design for a computer desk, as shown and described.

DESCRIPTION

FIG. 1 is a front view of a computer desk showing my new design;
FIG. 2 is a rear view thereof;
FIG. 3 is a left side view thereof;
FIG. 4 is a right side view thereof;
FIG. 5 is a top view thereof;
FIG. 6 is a bottom view thereof; and,
FIG. 7 is a perspective view thereof.

1 Claim, 6 Drawing Sheets



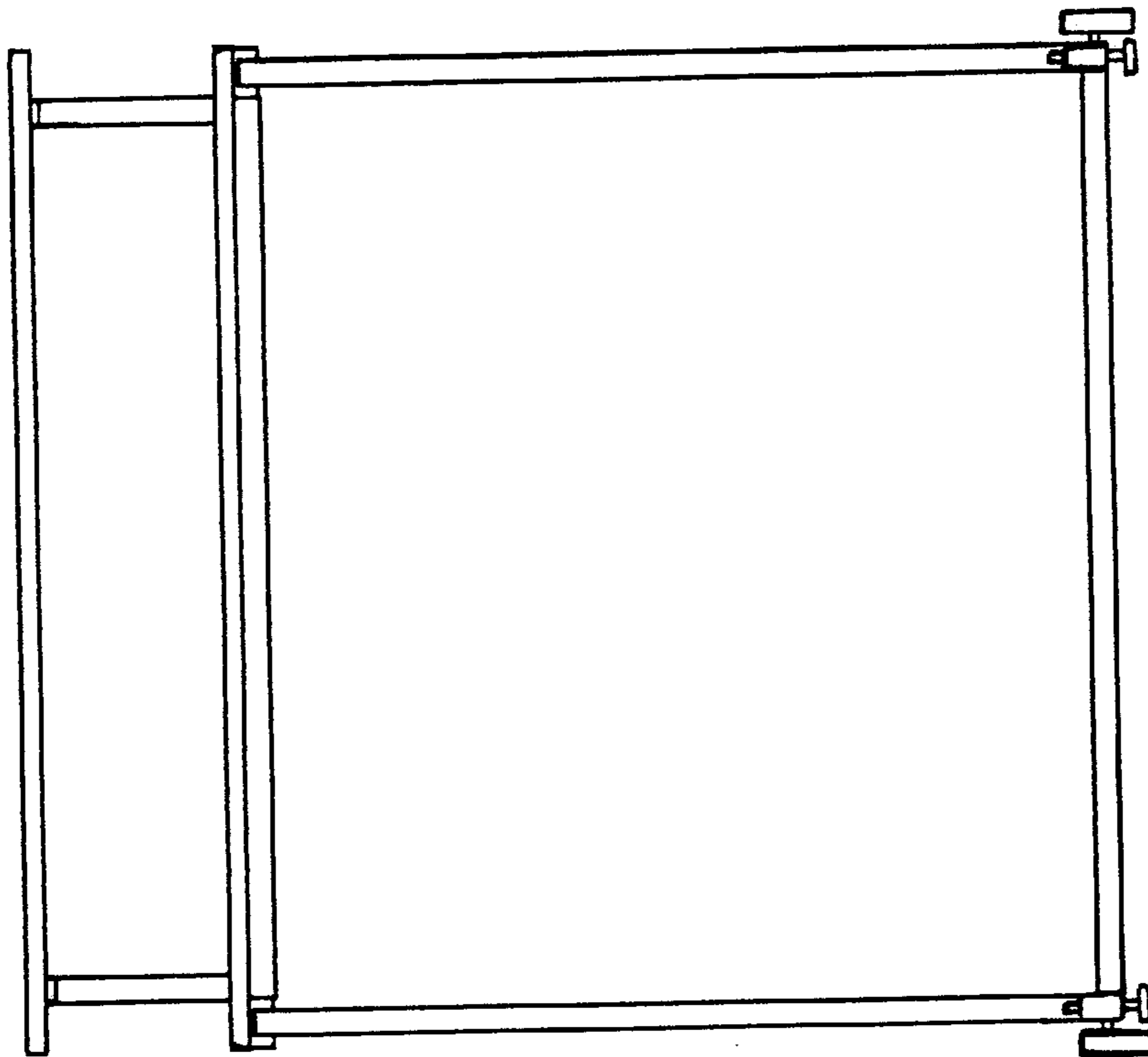


FIG. 1

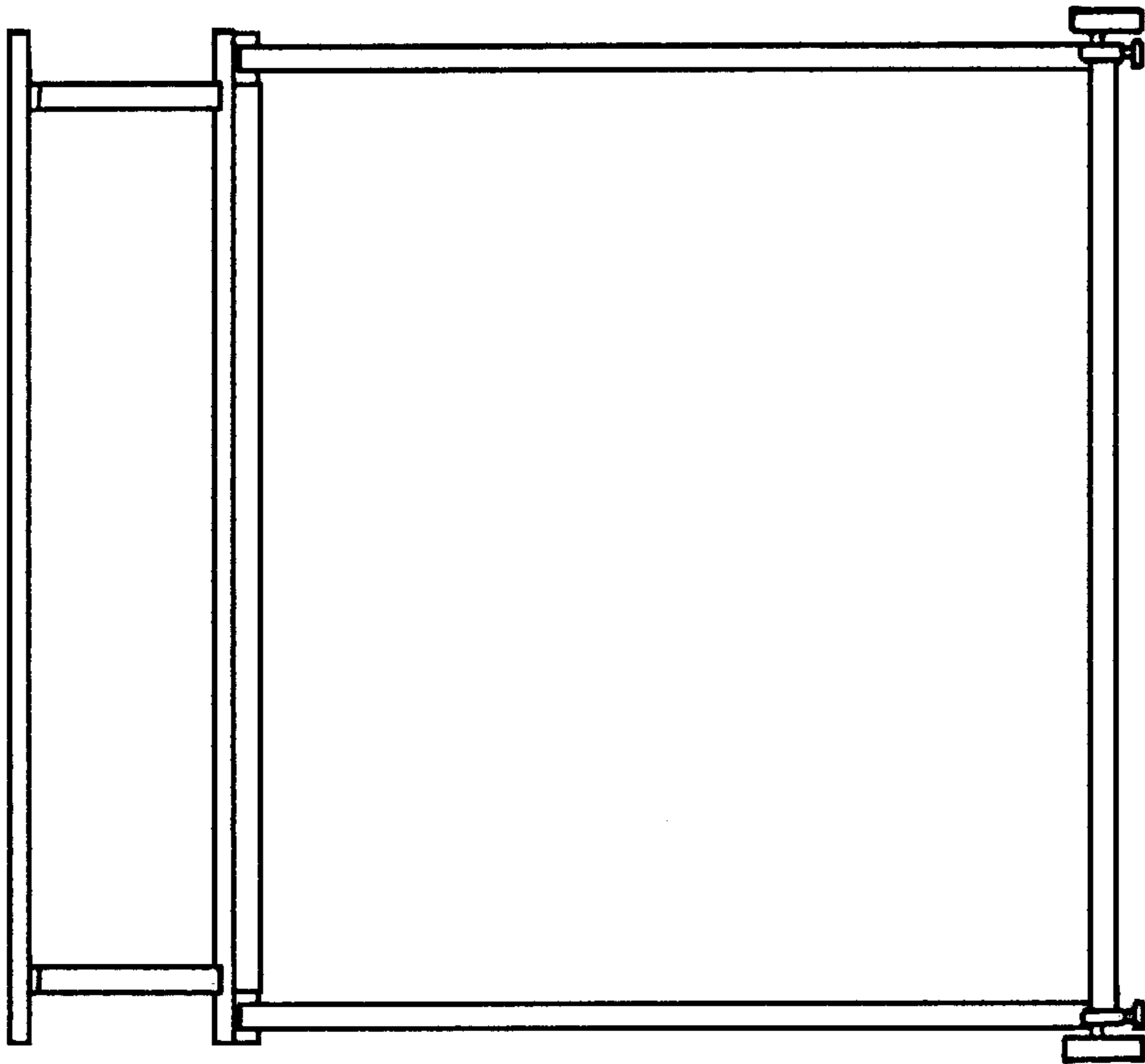


FIG. 2

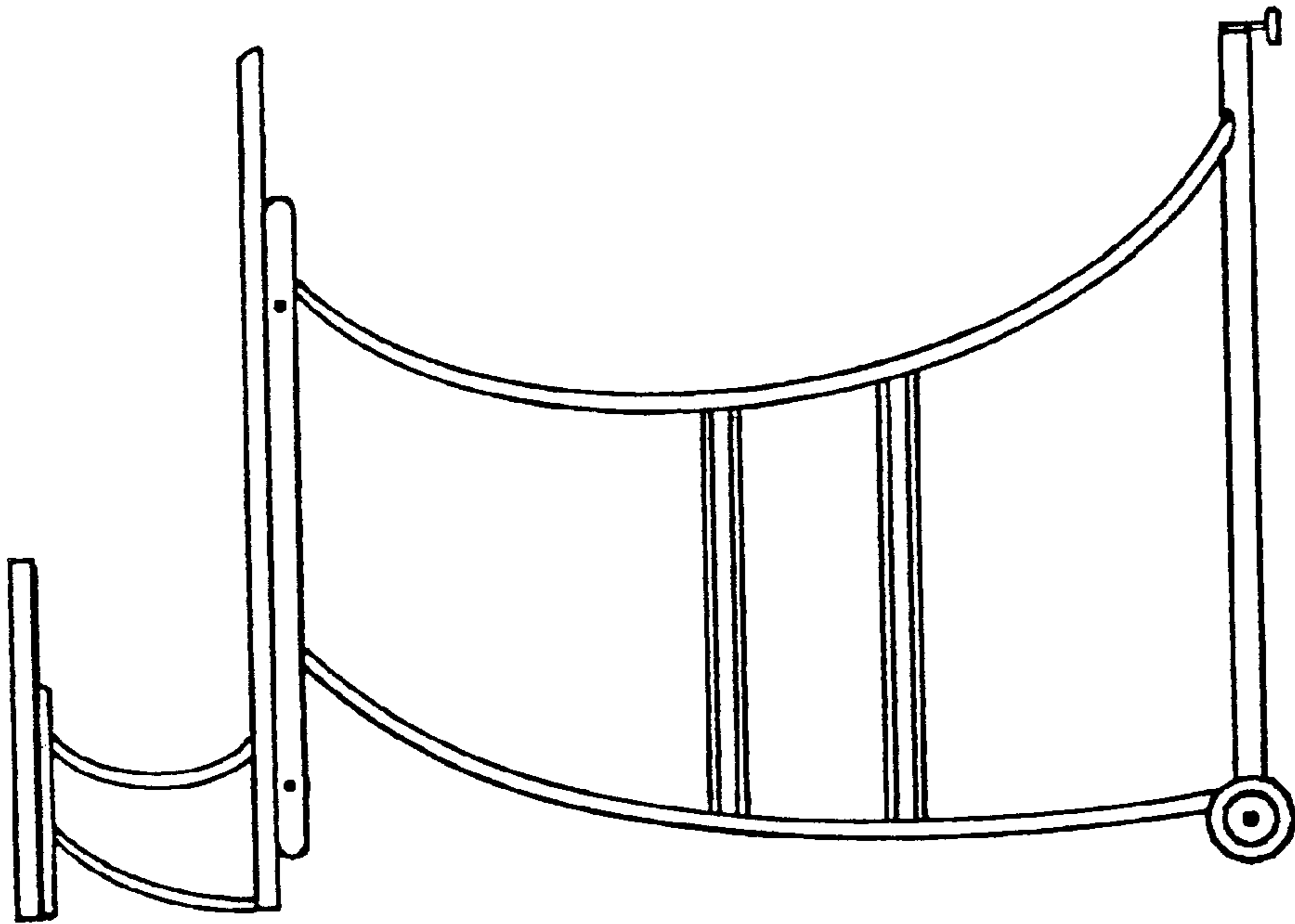


FIG. 3

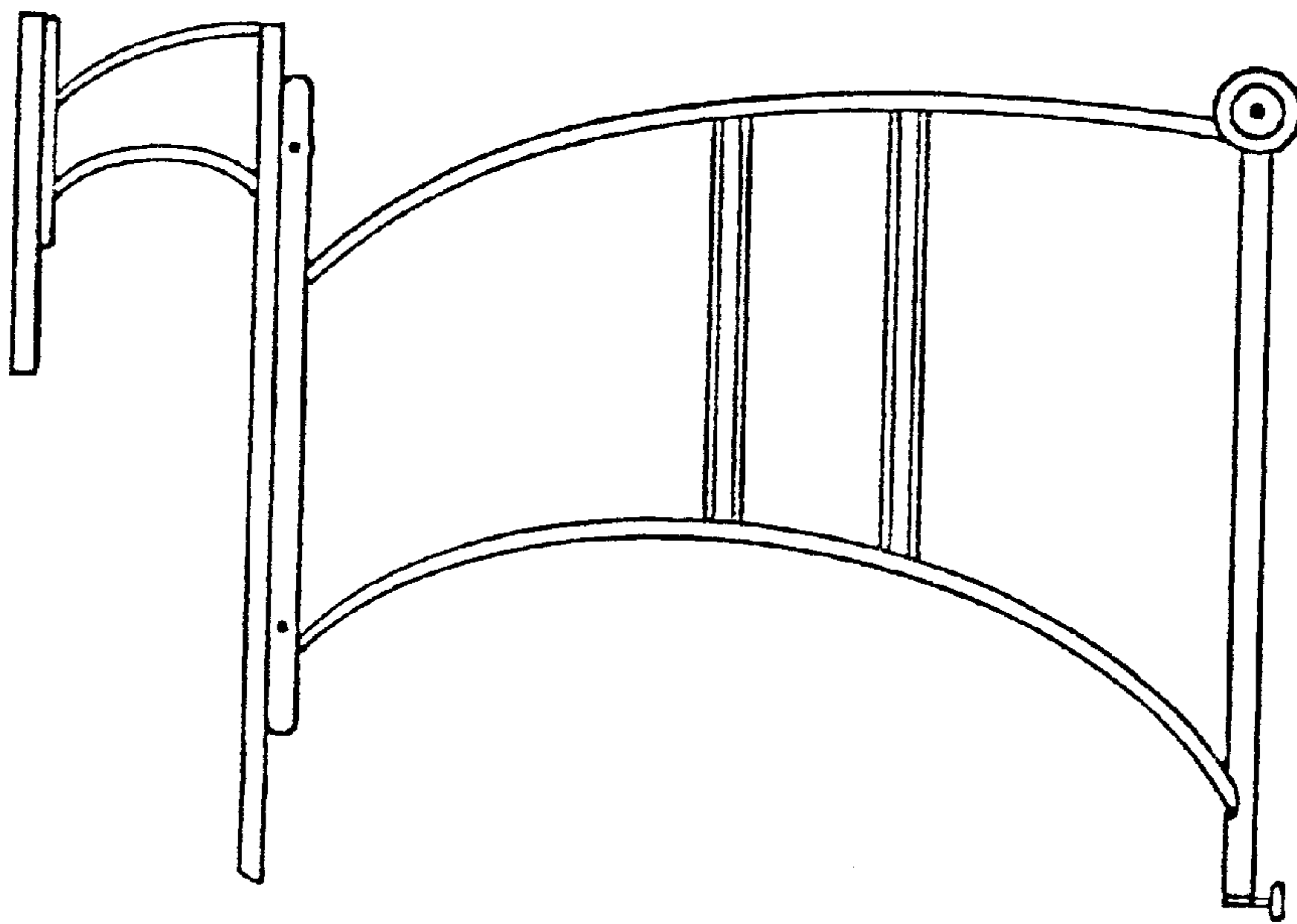


FIG. 4

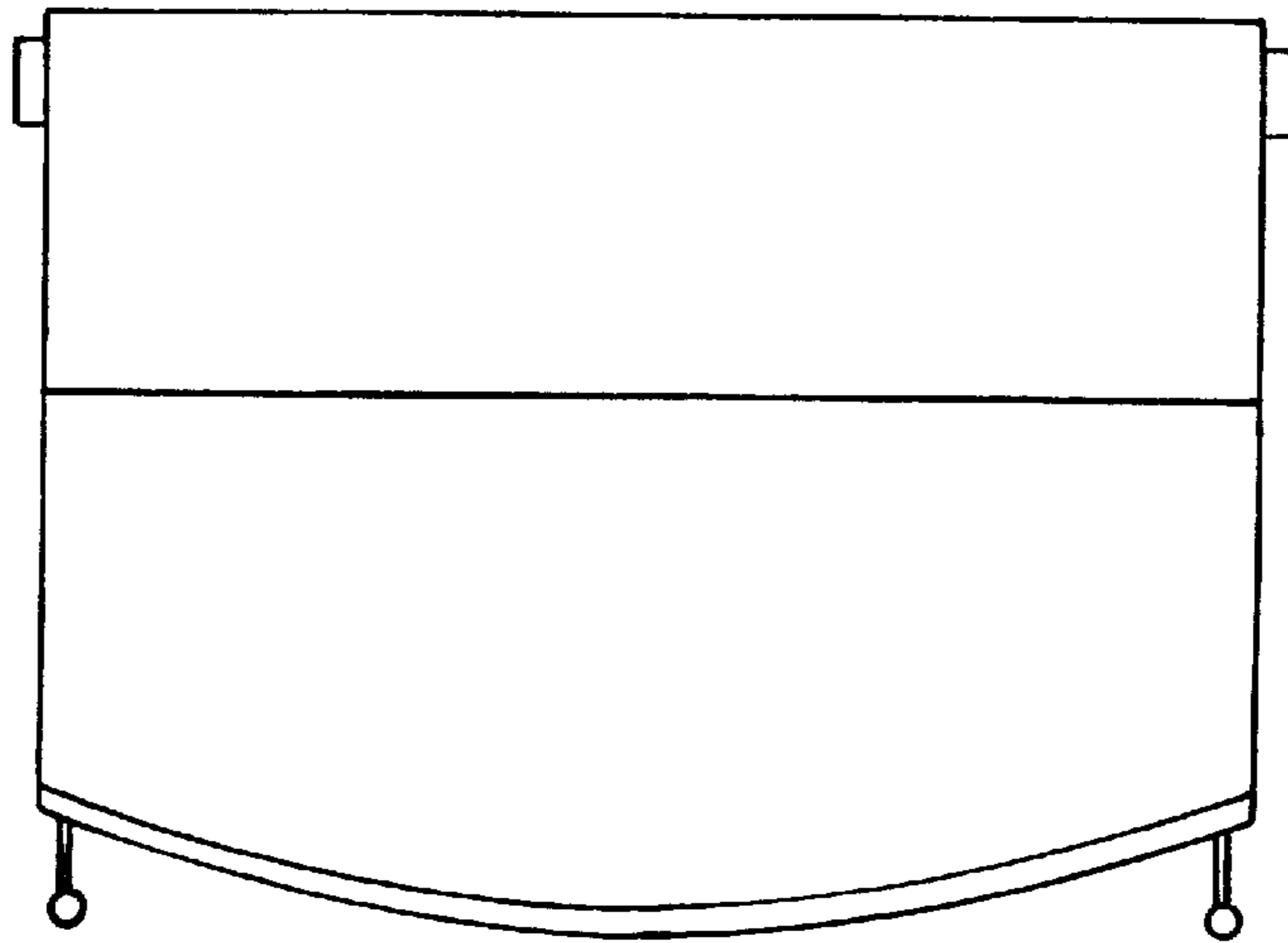


FIG. 5

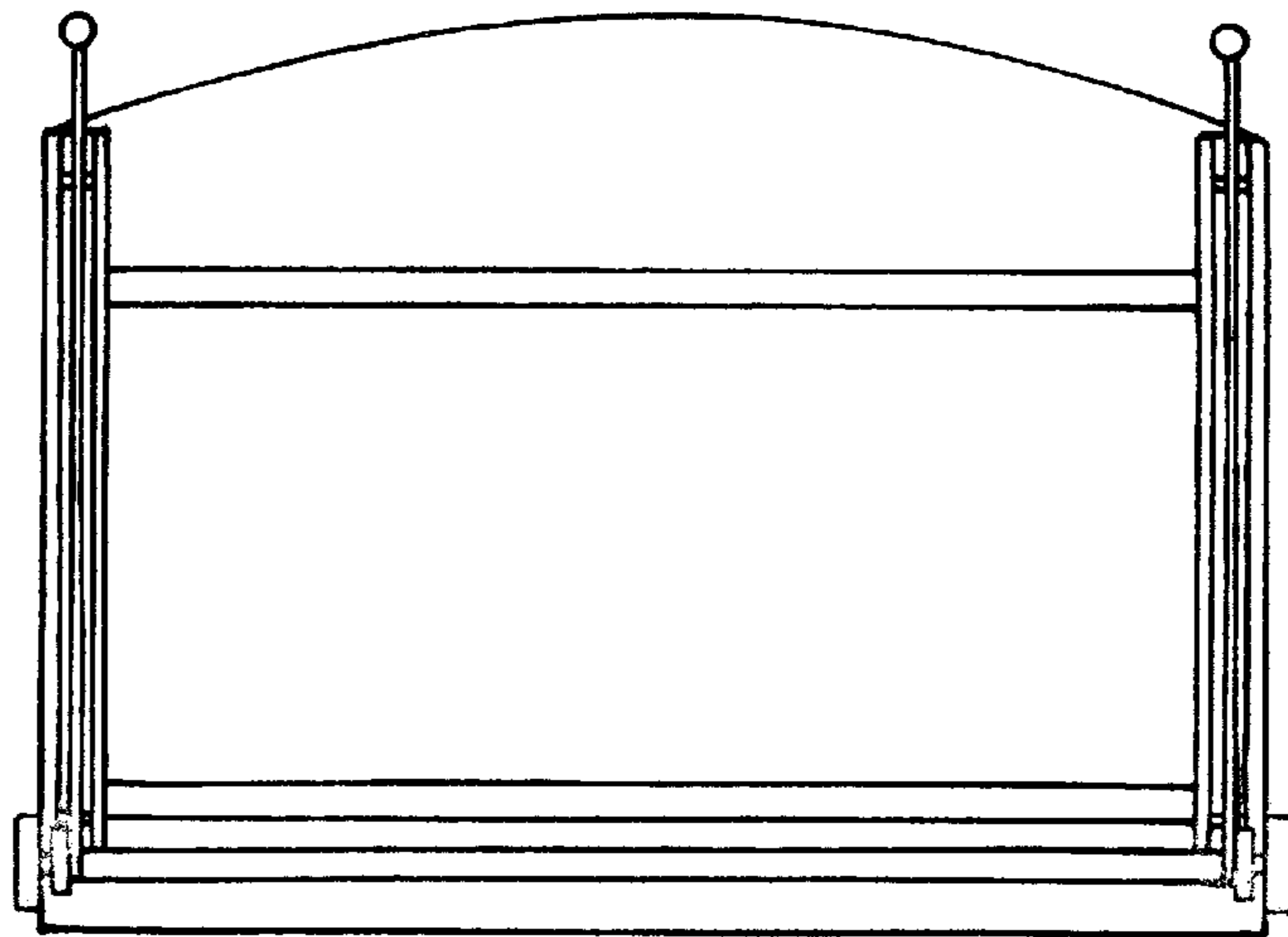


FIG. 6

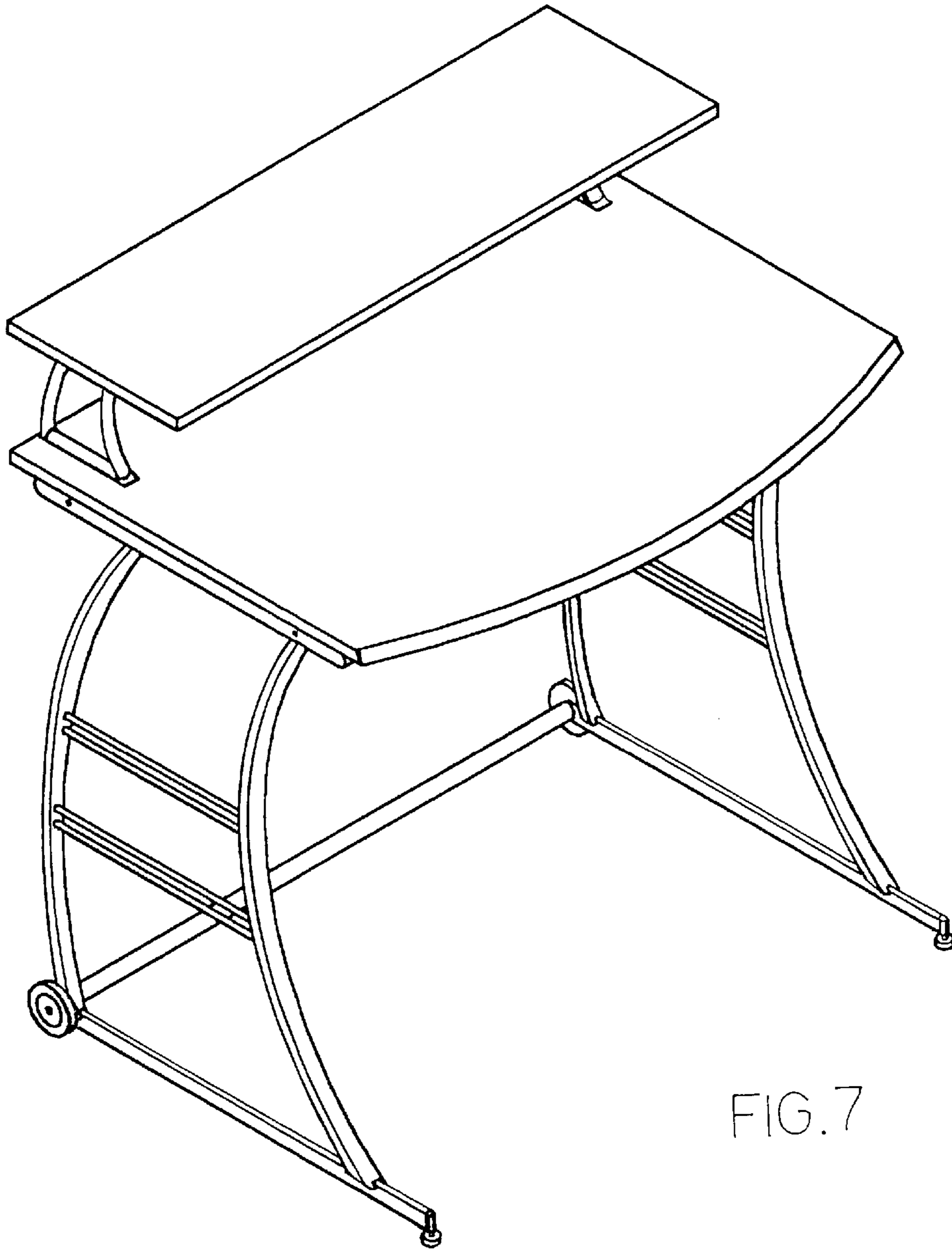


FIG. 7