



US00D435367S

United States Patent [19] Tzeng

[11] Patent Number: **Des. 435,367**

[45] Date of Patent: **** Dec. 26, 2000**

[54] **COMPUTER DESK**

D. 414,350 9/1999 Fear et al. D6/426
5,845,586 12/1998 Moore 108/50.01

[76] Inventor: **Ren-Ju Tzeng**, 4-2, Chung Liao Road,
Pei Tou Township, Changhua Hsien,
Taiwan

Primary Examiner—Janice E. Seeger
Attorney, Agent, or Firm—Rabin & Champagne, P.C.

[**] Term: **14 Years**

[57] **CLAIM**

The ornamental design for a computer desk, as shown and described.

[21] Appl. No.: **29/120,841**

[22] Filed: **Mar. 28, 2000**

DESCRIPTION

[51] **LOC (7) Cl.** **06-03**

FIG. 1 is a front view of a computer desk showing my new design;

[52] **U.S. Cl.** **D6/480**; D6/426

FIG. 2 is a right side view thereof;

[58] **Field of Search** D6/422, 423, 426-428,

FIG. 3 is a left side view thereof;

D6/429, 511, 480, 482-485; 108/59, 50.01,

FIG. 4 is a rear view thereof;

50.02, 92; 312/194-196, 208.1

FIG. 5 is a top view thereof;

[56] **References Cited**

FIG. 6 is a bottom view thereof;

U.S. PATENT DOCUMENTS

FIG. 7 is a perspective view thereof; and,

D. 278,108 3/1985 Lyman et al. D6/426

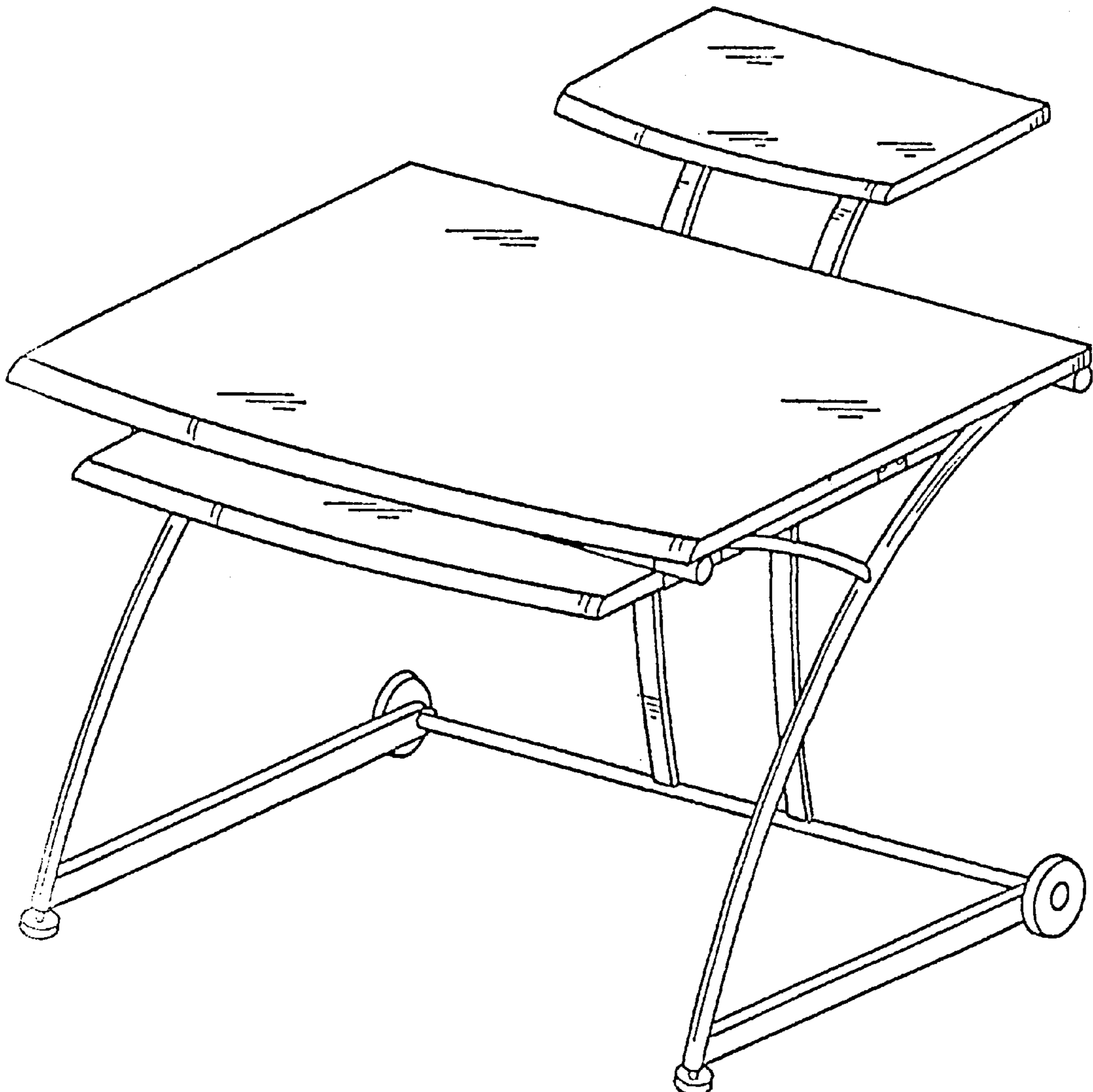
FIG. 8 is an in-use perspective view thereof, the movable

D. 315,261 3/1991 Ng et al. D6/426

plate for keyboard being pulled out.

D. 334,856 4/1993 Sielaff D6/474

1 Claim, 7 Drawing Sheets



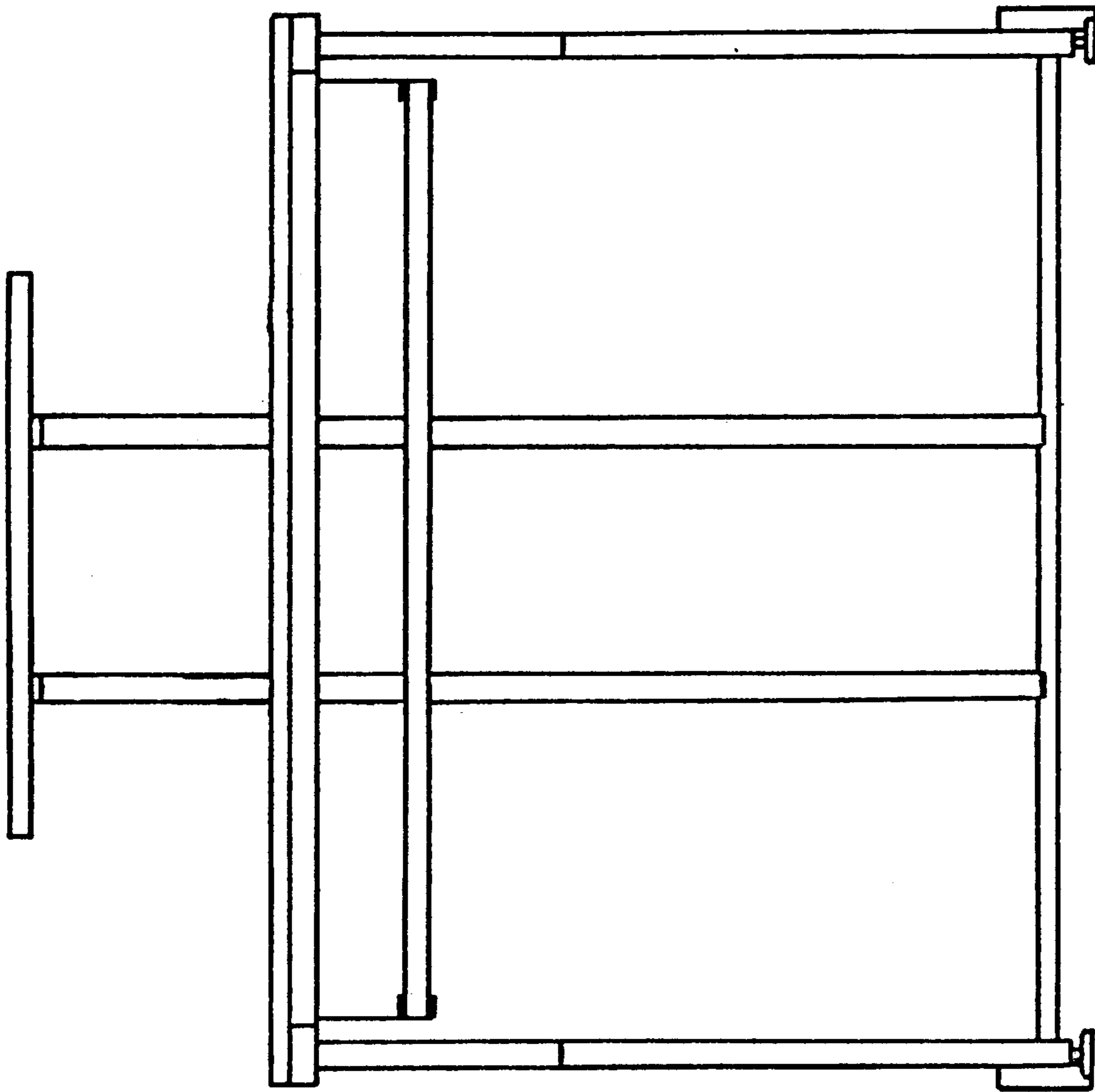


FIG. 1

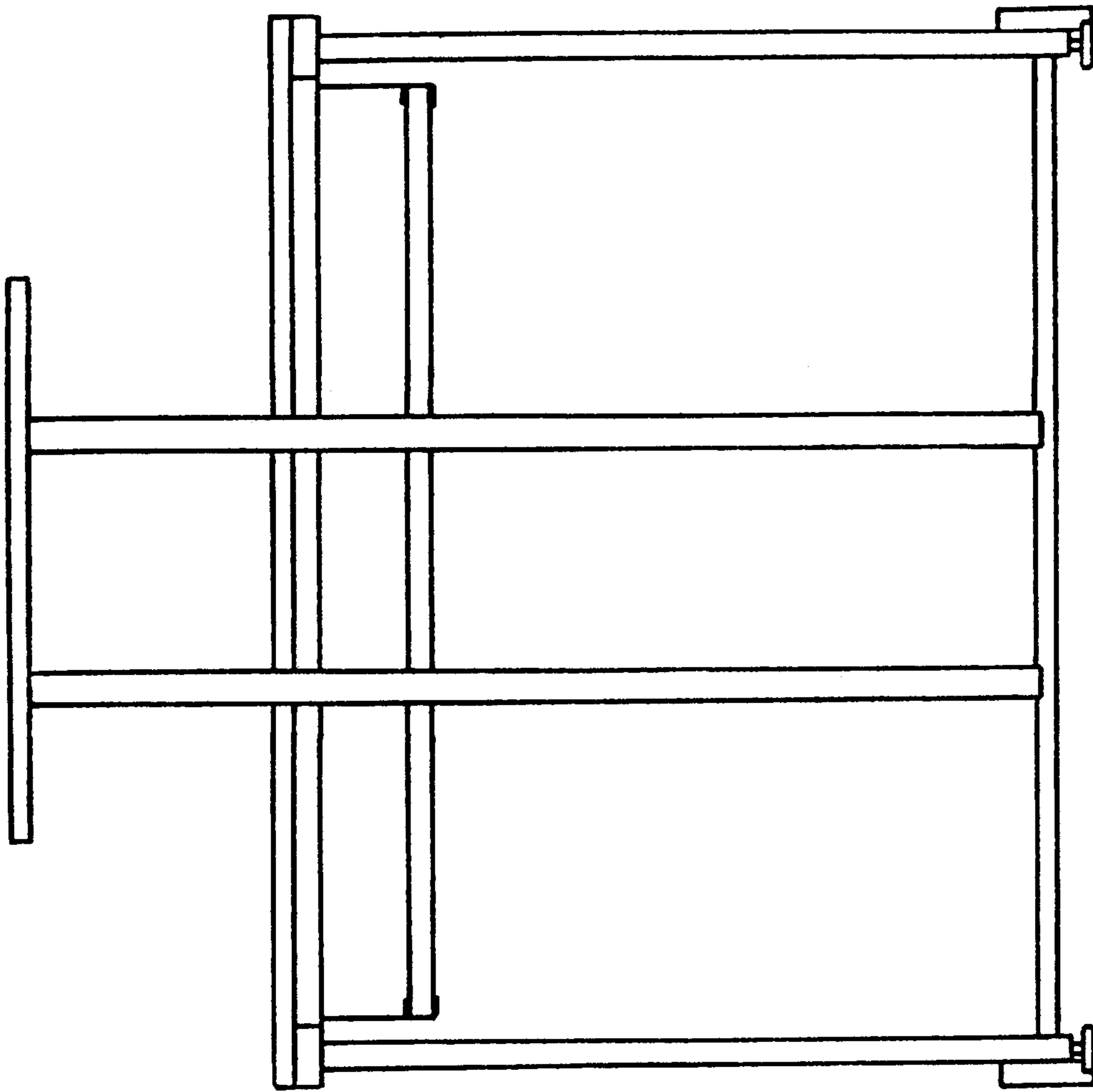


FIG.2

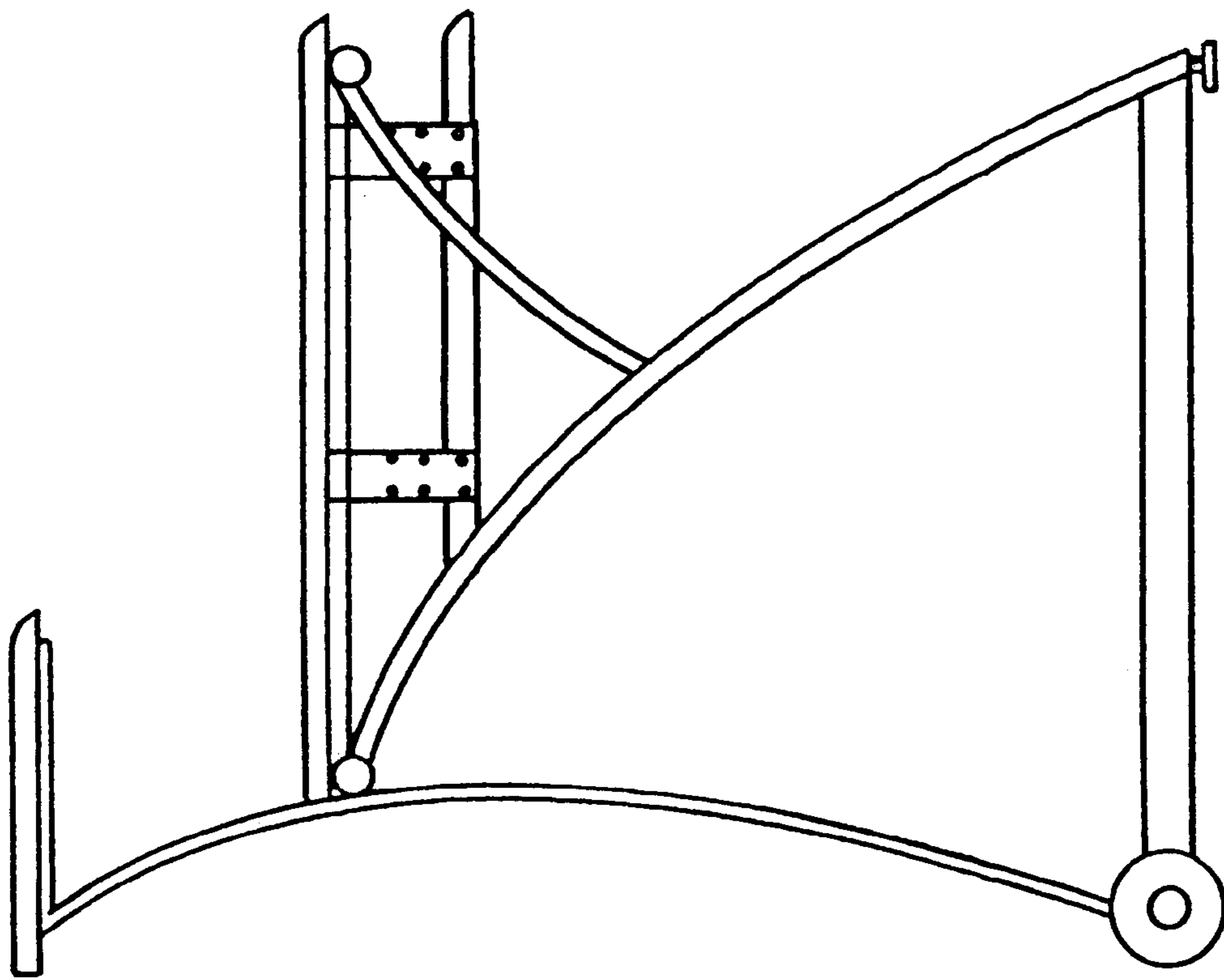


FIG. 3

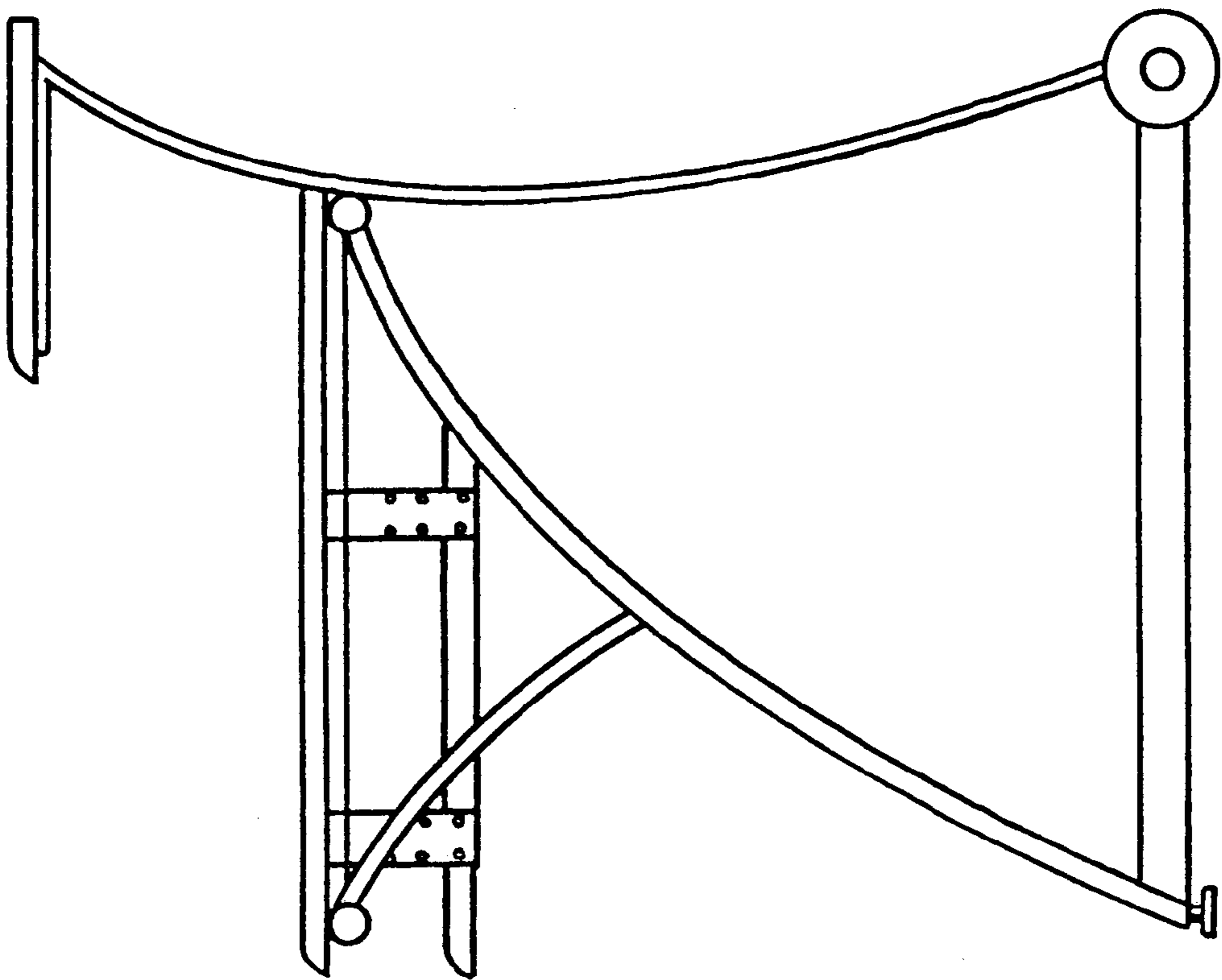


FIG. 4

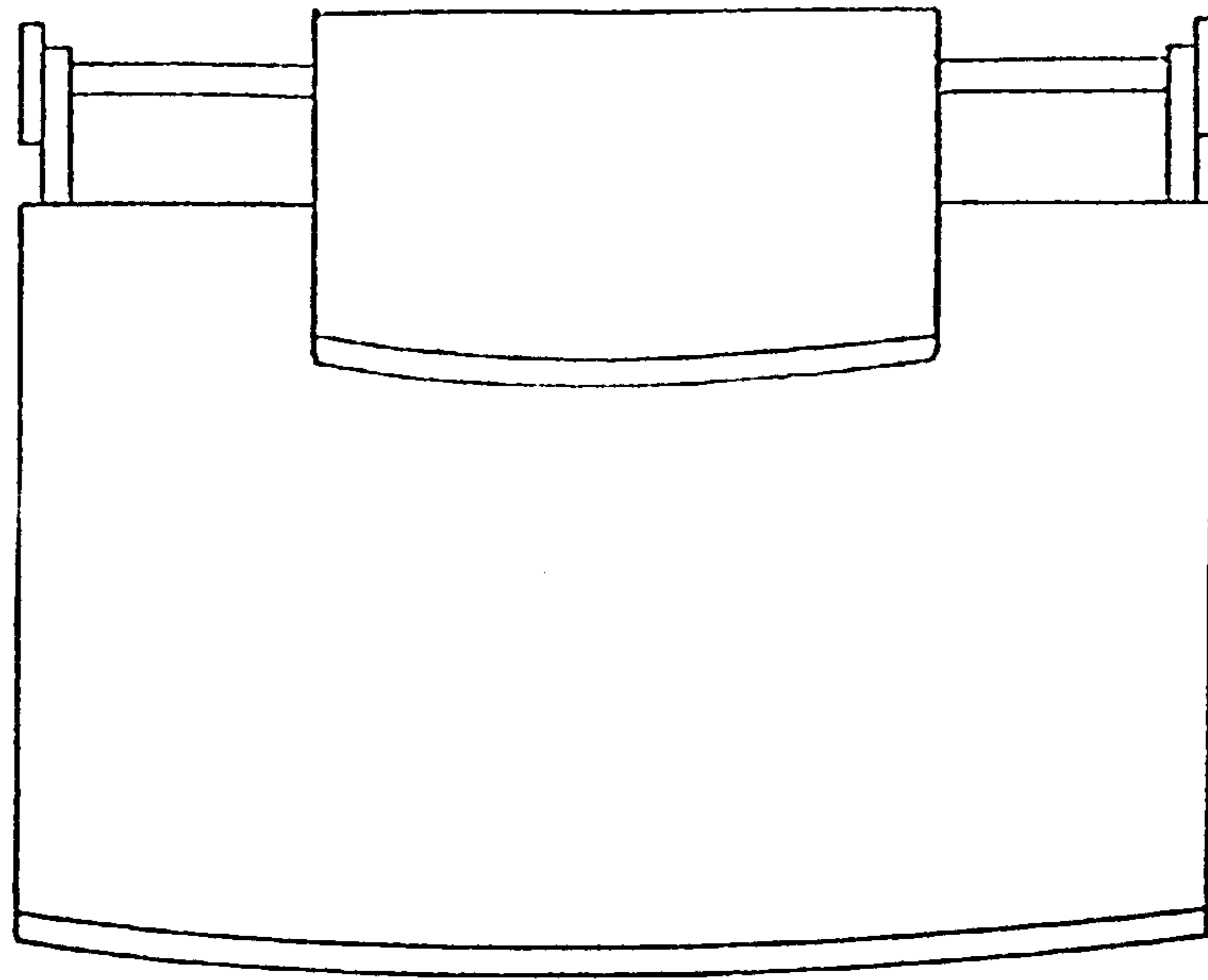


FIG. 5

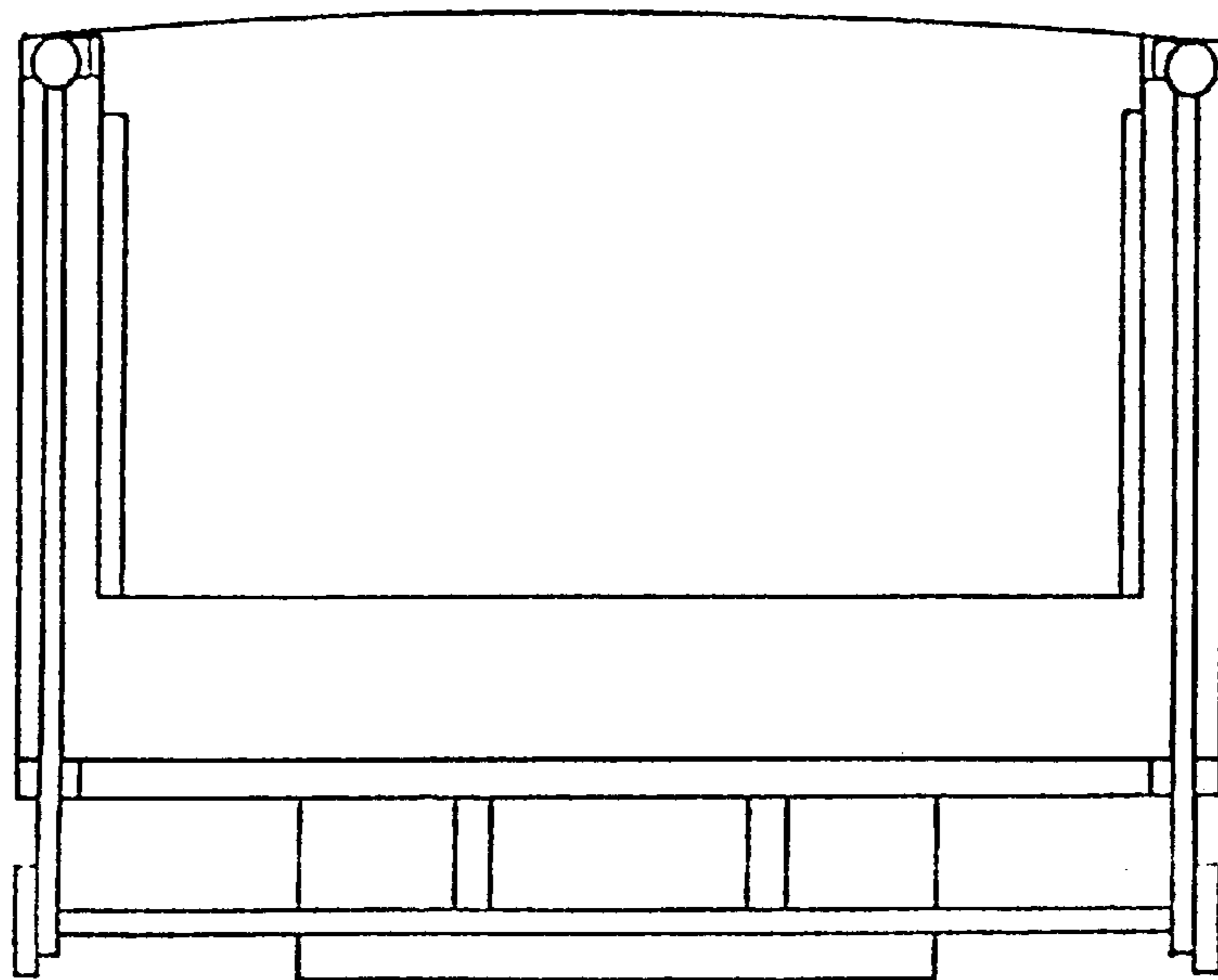


FIG. 6

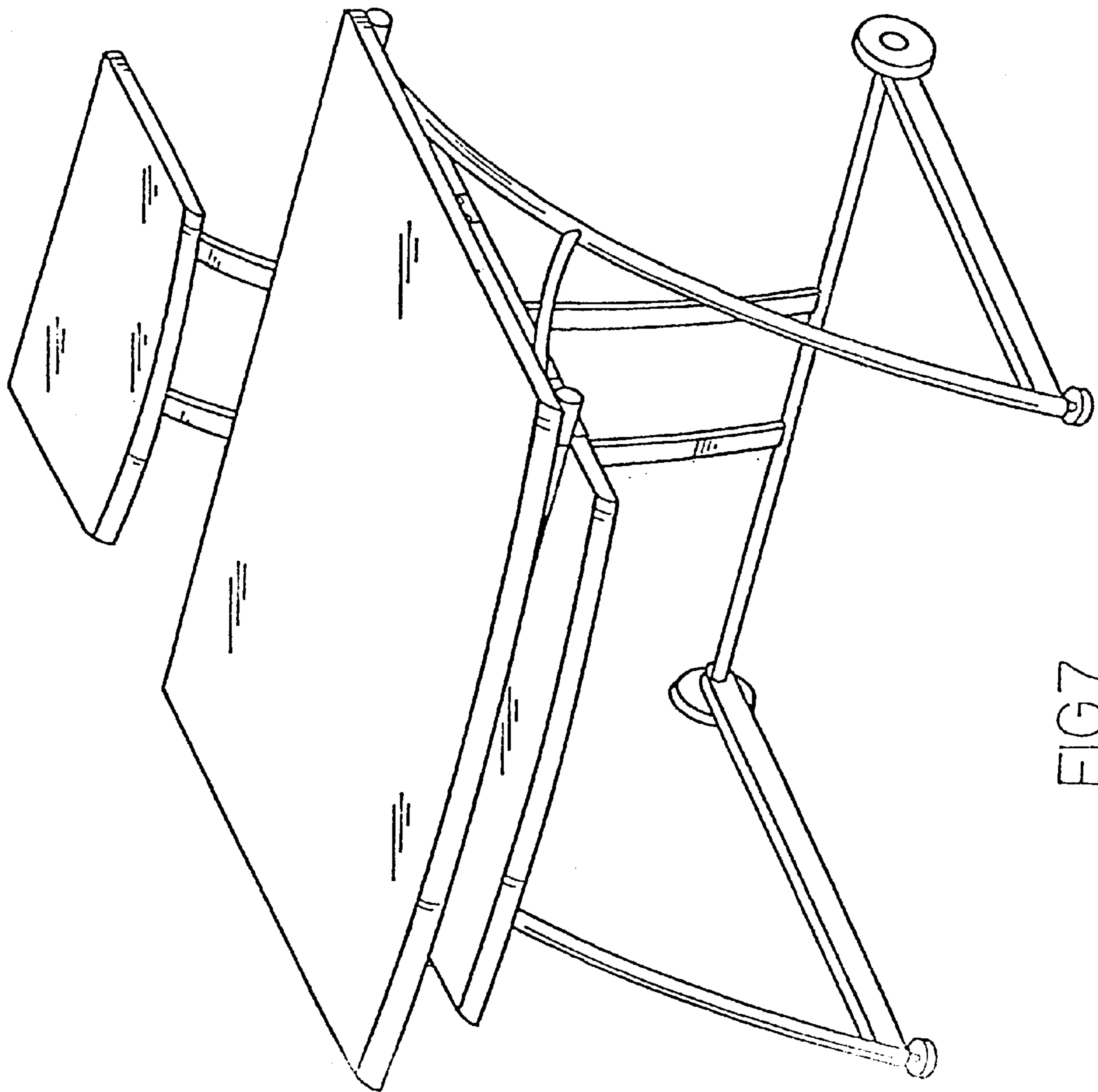


FIG. 7

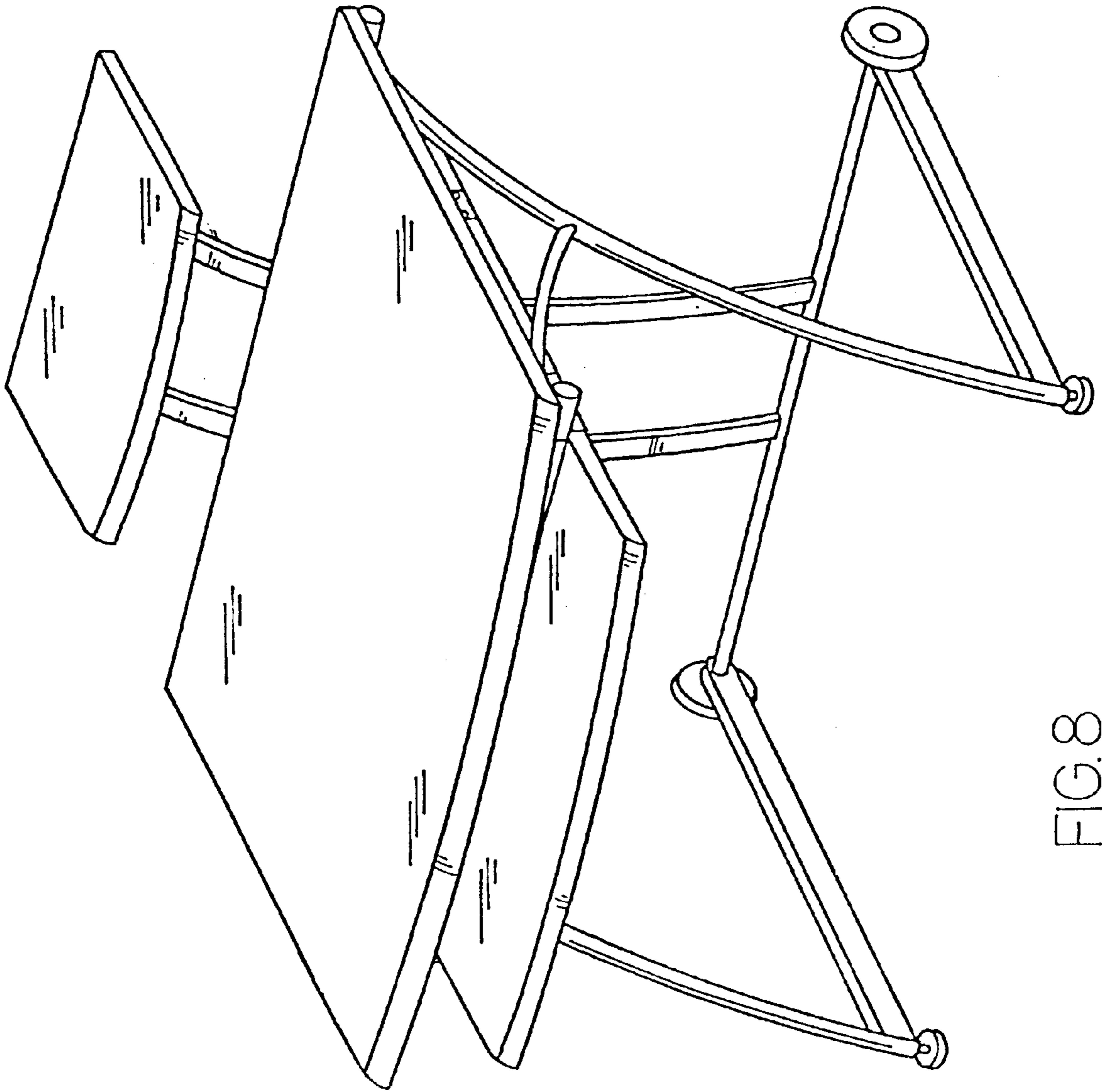


FIG. 8