



US00D435365S

United States Patent [19]

Eason et al.

[11] Patent Number: **Des. 435,365**

[45] Date of Patent: **** Dec. 26, 2000**

[54] **INSTRUMENT STAND**

[75] Inventors: **Donald H. Eason**, Fort Collins;
Douglas A Kempel, Wellington; **Robin R. Slaton**, Fort Collins, all of Colo.

[73] Assignee: **Ultimate Support Systems, Inc.**, Fort Collins, Colo.

[**] Term: **14 Years**

[21] Appl. No.: **29/110,378**

[22] Filed: **Sep. 3, 1999**

[51] **LOC (7) Cl.** **06-06**

[52] **U.S. Cl.** **D6/466; D17/99; D16/244**

[58] **Field of Search** **D6/396, 400, 449, D6/457, 462, 466; D16/244; D17/20, 90; 211/85.6; 248/166, 170, 175, 177.1, 178.1, 431, 435, 440.1**

4,712,756	12/1987	Kester et al.	248/166 X
4,744,536	5/1988	Bancalari .	
4,785,708	11/1988	Vaughan .	
4,807,837	2/1989	Gawlik et al. .	
4,890,531	1/1990	Tischer .	
4,923,156	5/1990	Linneusson .	
5,060,894	10/1991	Hillinger	248/170
5,213,296	5/1993	Lee .	
5,340,066	8/1994	Ditch .	
5,375,497	12/1994	Pirchio et al. .	
5,454,473	10/1995	Hennessey .	
5,505,413	4/1996	Hennessey .	
5,664,756	9/1997	Liao .	
5,713,547	2/1998	Yu .	
5,744,735	4/1998	Kiao .	
5,934,628	8/1999	Bosnakovic	248/177.1

OTHER PUBLICATIONS

Hamilton Stands, Inc., Monroe, OH, www.hamiltonstands.com KB31, KB37 and KB38 guitar stands.
 Quik Lok, TAM s.r.l., Italy, www.quiklok.com Quik Lok GS-412 guitar stand.
 Monteleone Instruments, Islip, NY, www.guitarvings.com Monteleone Grand Stand.
 Konig & Meyer GmbH & Co. KG, Wertheim/Main, Germany, www.k-m.de 175, 175/1, 176/1, 17660 guitar stands.

Primary Examiner—Cathron B. Matta

[57] **CLAIM**

The ornamental design for an instrument stand, as shown and described.

DESCRIPTION

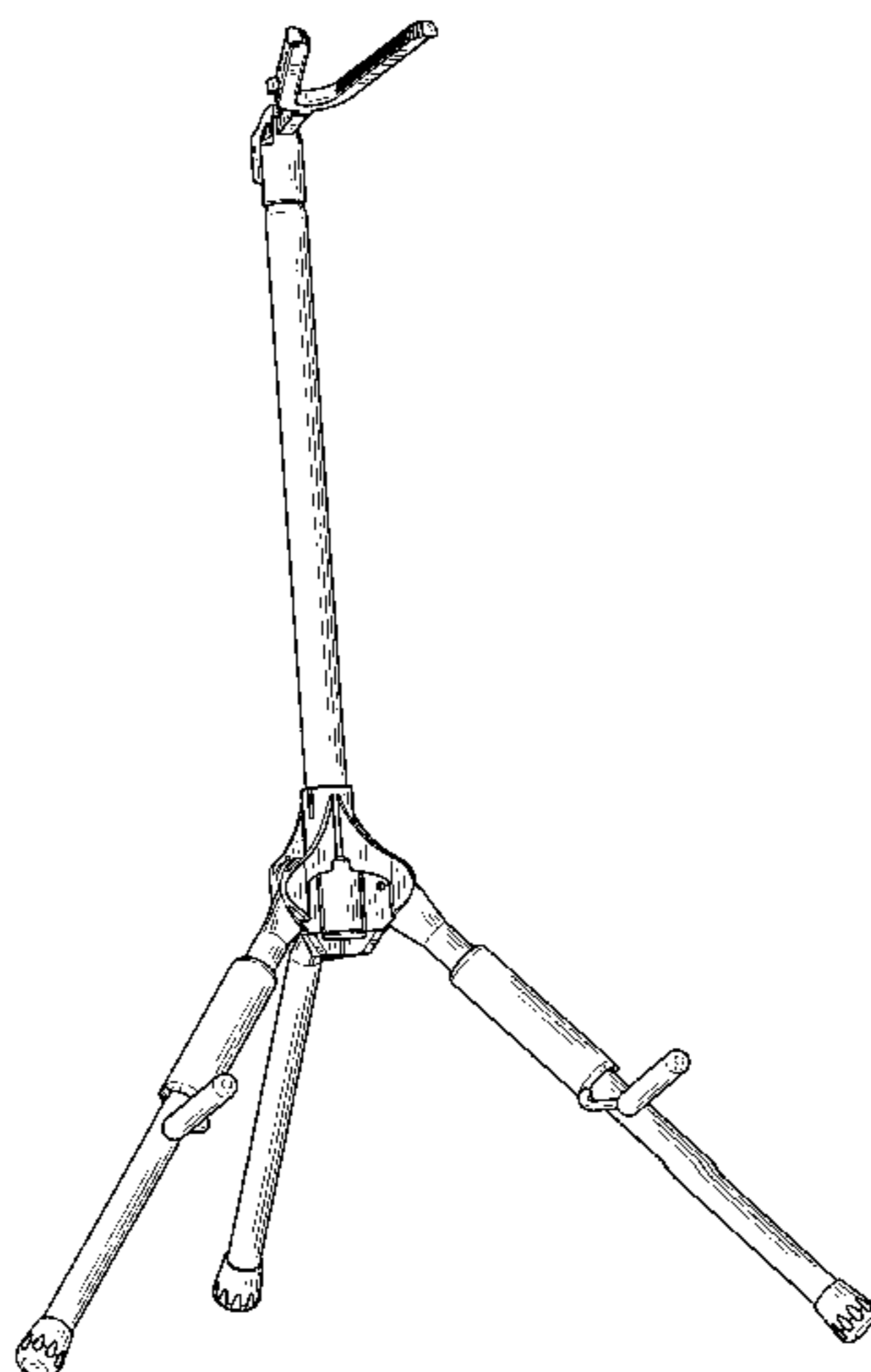
FIG. 1 is a front perspective view of the instrument stand showing our new design;
 FIG. 2 is a front elevational view of the instrument stand;
 FIG. 3 is a bottom plan view of the instrument stand;
 FIG. 4 is a top plan view thereof;
 FIG. 5 is a right side elevational view of the instrument stand;
 FIG. 6 is a rear elevational view thereof; and,
 FIG. 7 is a right side perspective view of the instrument stand.

1 Claim, 7 Drawing Sheets

[56] **References Cited**

U.S. PATENT DOCUMENTS

230,851	8/1880	Anthony .	
D. 236,227	8/1975	Kester	D6/462
D. 299,244	1/1989	Jones et al.	D16/244
D. 332,882	2/1993	Graves .	
D. 356,901	4/1995	Schoenig et al.	D6/400
368,426	8/1887	Ruttman et al. .	
D. 414,962	10/1999	Welsh	D17/99 X
730,062	6/1903	Widmer .	
1,673,205	6/1928	Romao .	
1,684,912	9/1928	Dunklau .	
1,863,756	6/1932	Lufkin .	
2,727,708	12/1955	Lorenzen .	
3,526,380	9/1970	Tong .	
3,709,454	1/1973	Hyde .	
3,804,355	4/1974	Uroshevich .	
3,881,675	5/1975	Matchett .	
3,958,786	5/1976	Mann .	
4,010,922	3/1977	Heller et al. .	
4,061,302	12/1977	Boone .	
4,352,480	10/1982	Gathright .	
4,671,479	6/1987	Johnson et al. .	
4,691,610	9/1987	Gilbert .	
4,693,161	9/1987	Uhrig .	
4,695,021	9/1987	Leinfelder .	



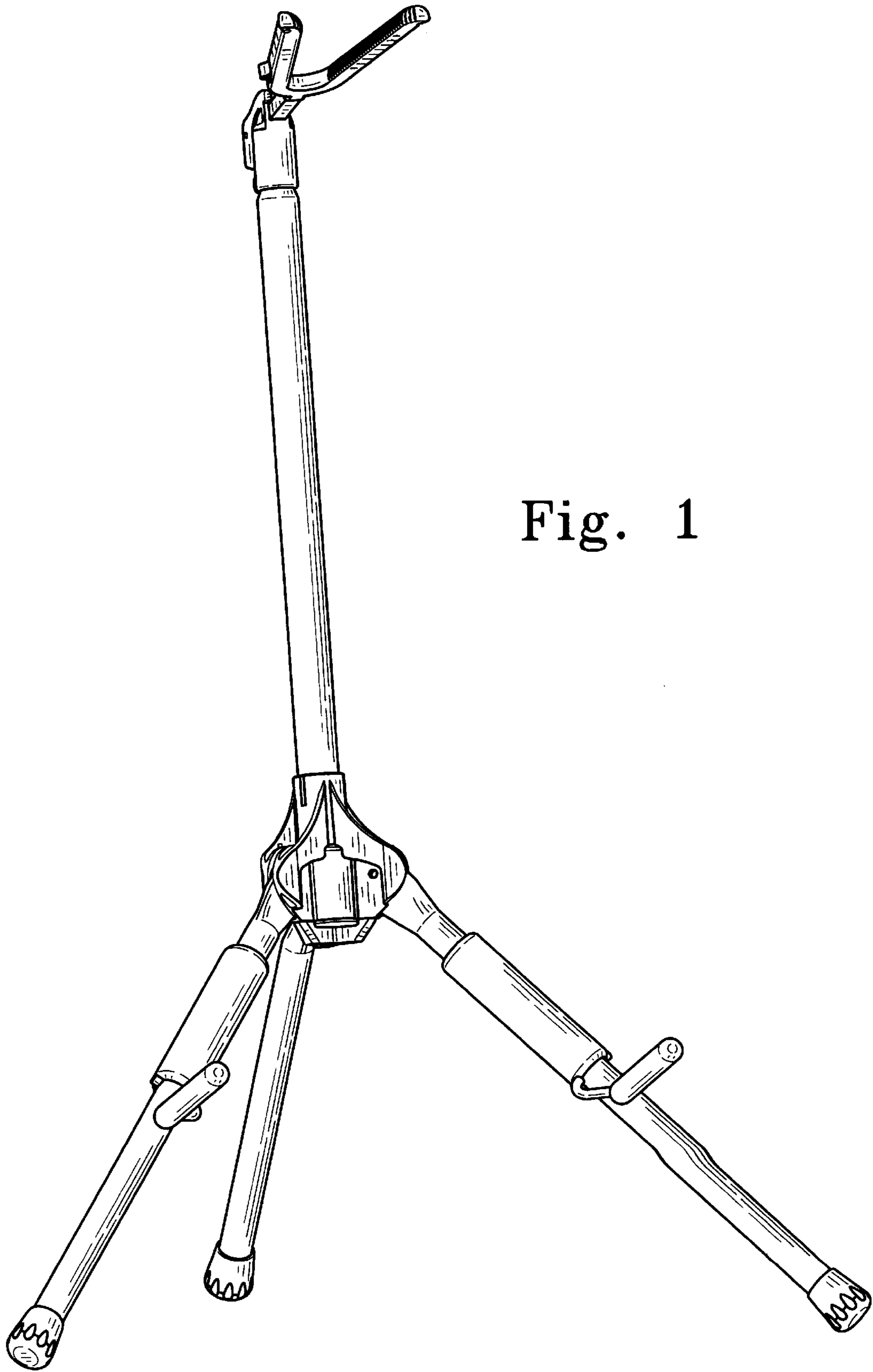


Fig. 1

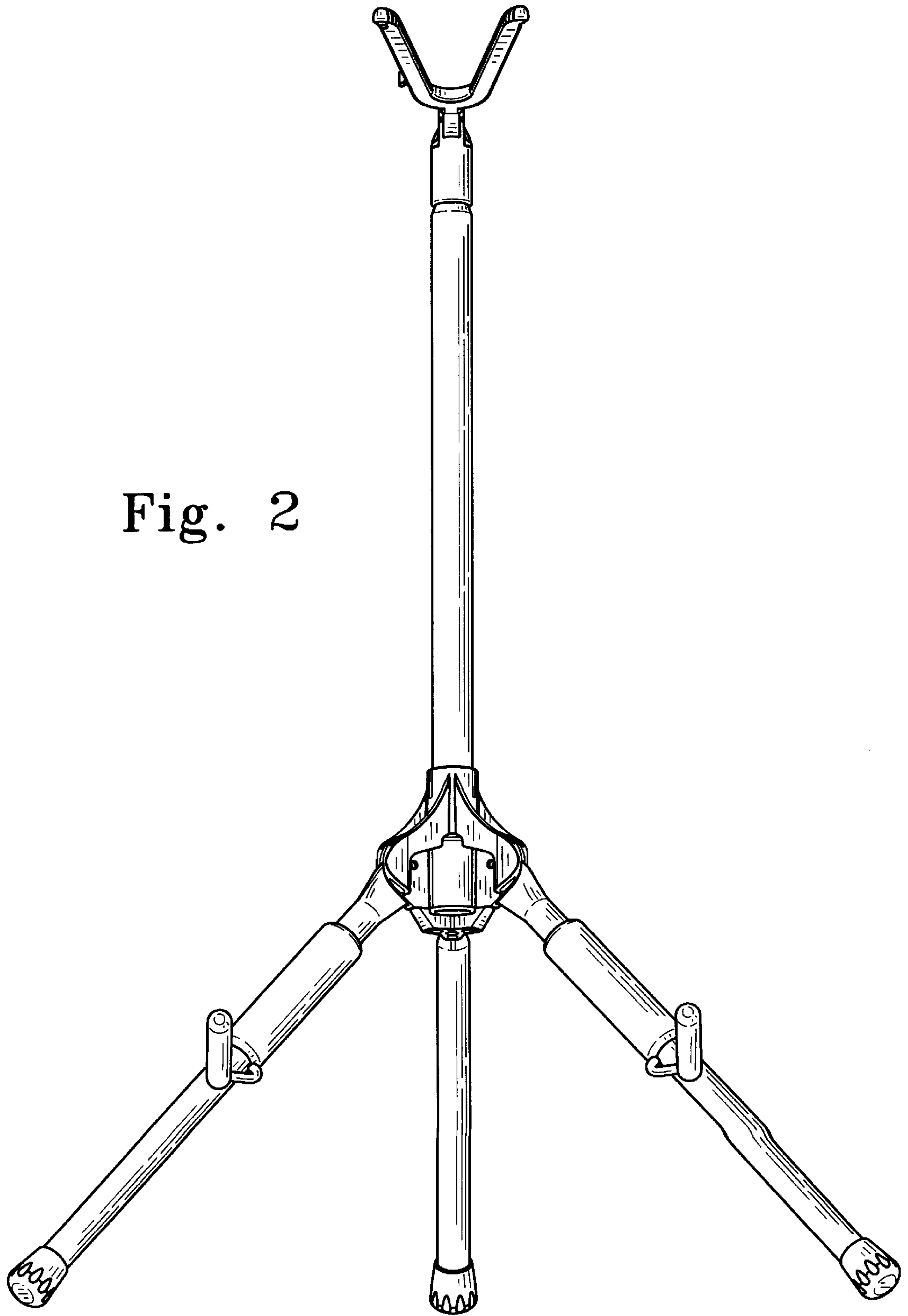


Fig. 2

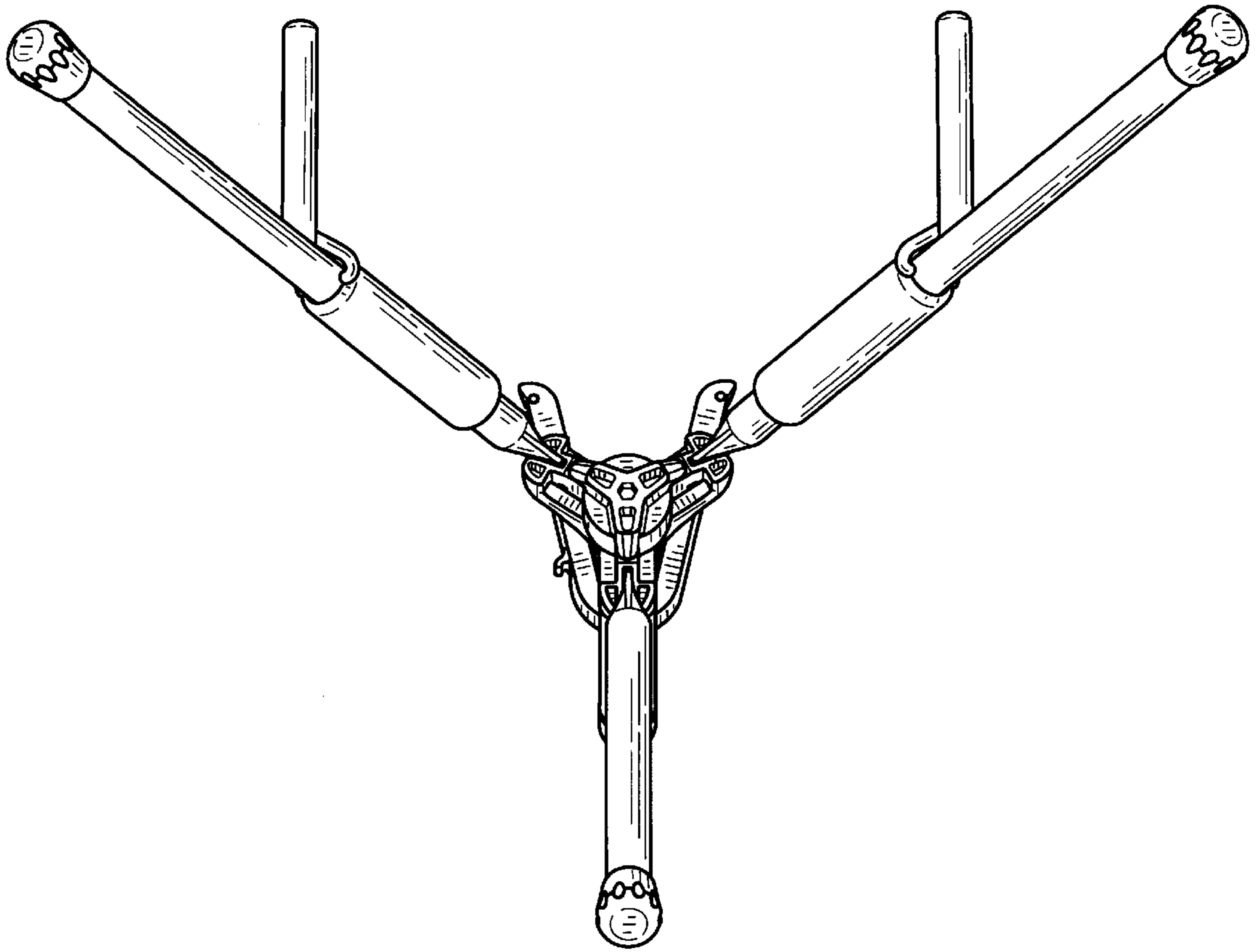


Fig. 3

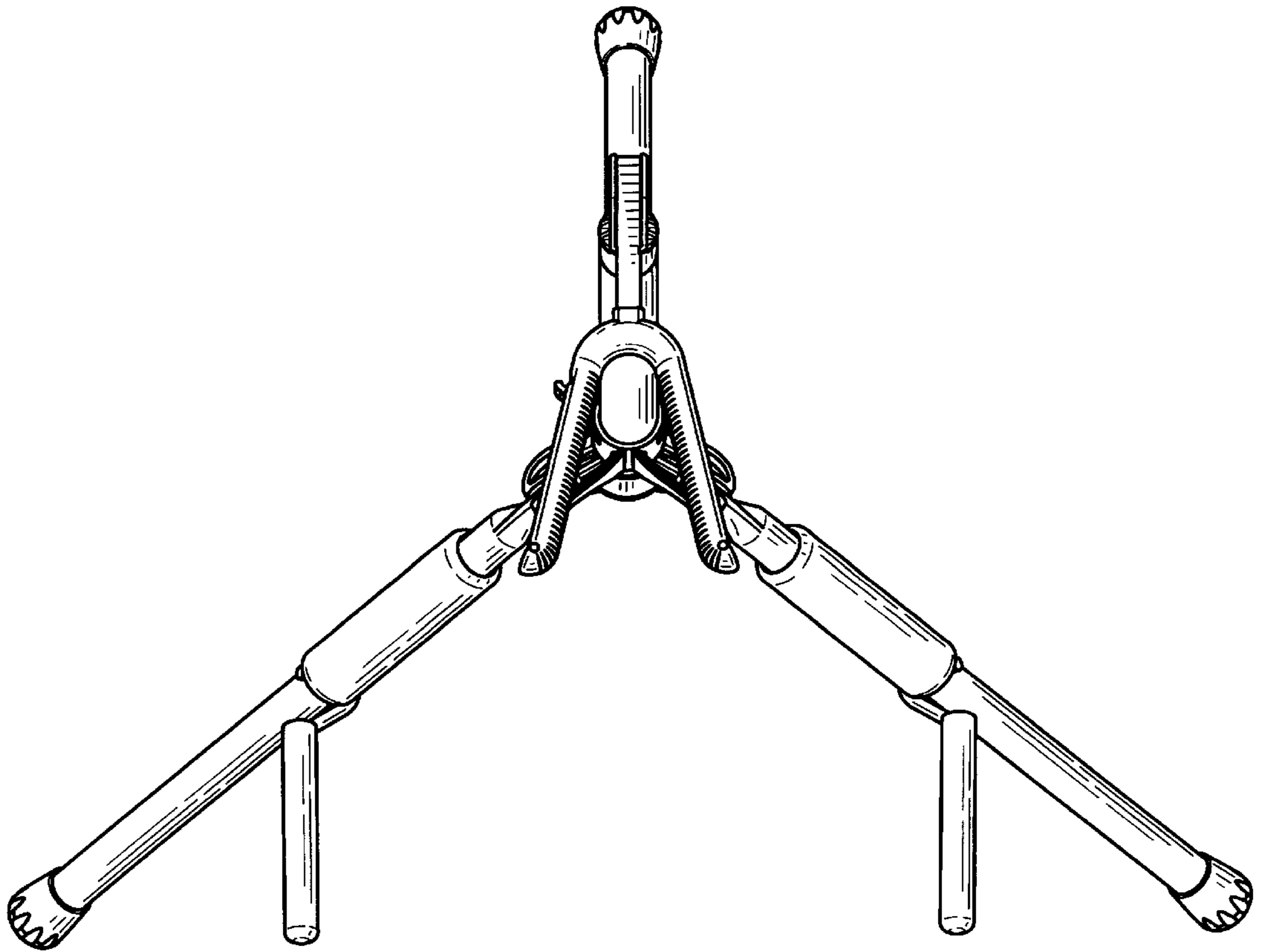


Fig. 4

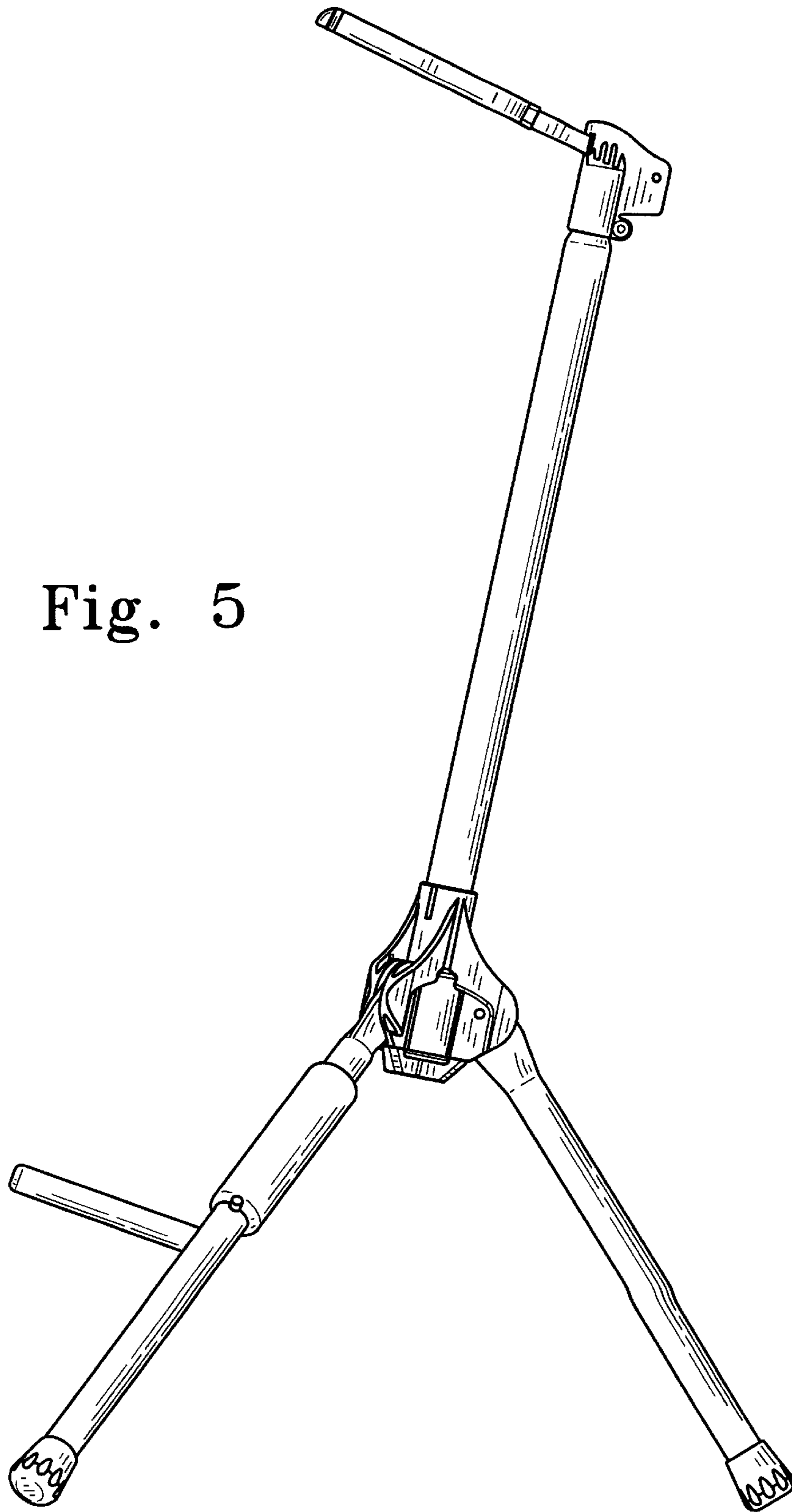
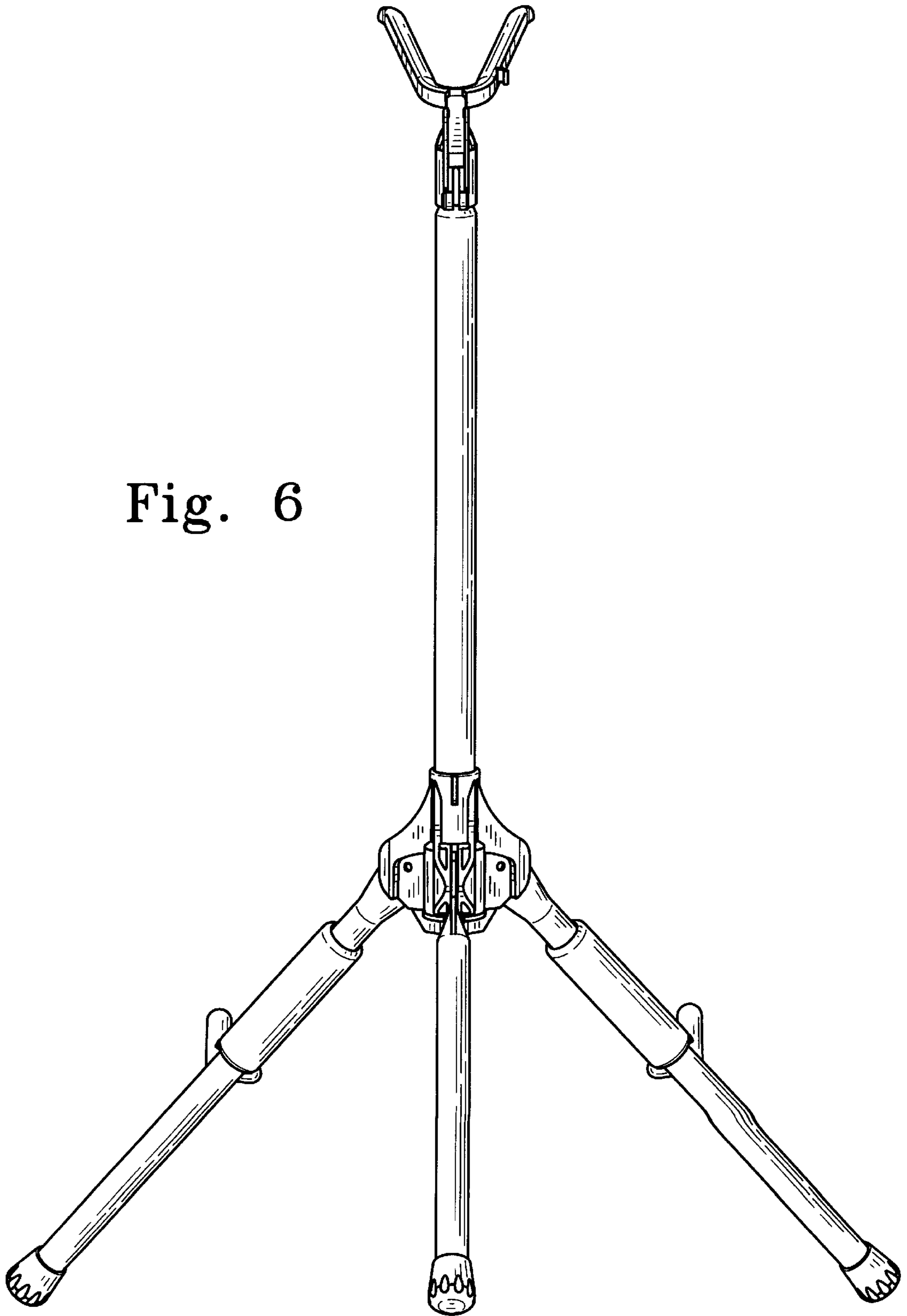


Fig. 5

Fig. 6



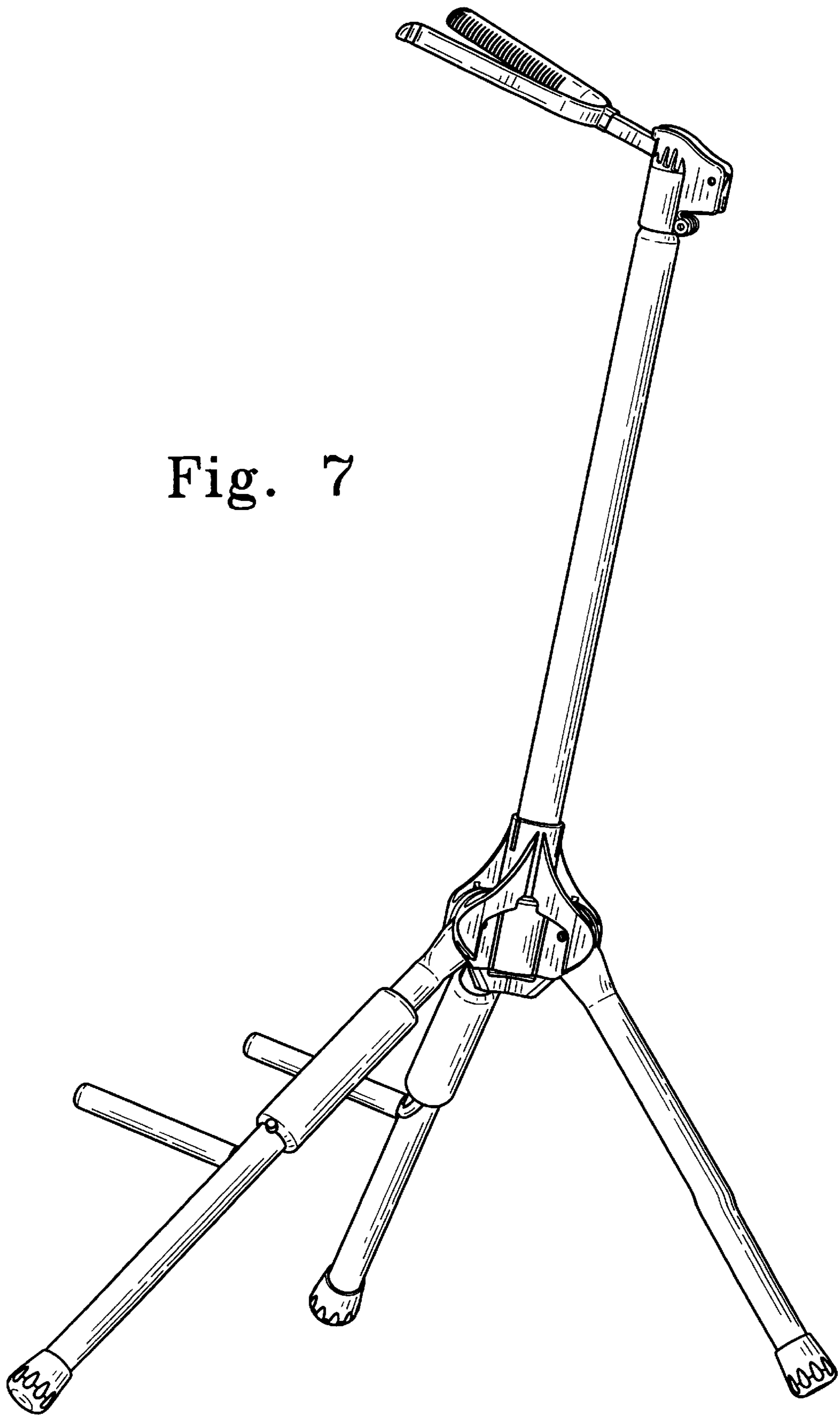


Fig. 7