



US00D435362S

# United States Patent [19] Goza

[11] Patent Number: Des. 435,362

[45] Date of Patent: \*\* Dec. 26, 2000

## [54] RETRACTABLE DESK

[76] Inventor: **Roger Goza**, 14118 W. Cypress Forest Dr., Houston, Tex. 77070

[\*\*] Term: **14 Years**

[21] Appl. No.: **29/113,039**

[22] Filed: **Oct. 28, 1999**

[51] LOC (7) Cl. .... **06-04**

[52] U.S. Cl. .... **D6/425**

[58] Field of Search ..... D6/422, 425, 426,  
D6/428, 429, 430, 438, 439, 445, 555;  
312/196, 204, 313, 314, 223.1, 223.3; 108/1,  
6

## [56] References Cited

### U.S. PATENT DOCUMENTS

D. 182,833	5/1958	Lubberts et al. ....	D6/425
D. 250,868	1/1979	Ornatek .....	D6/445
D. 282,421	2/1986	Lewellen et al. ....	D6/425
D. 293,284	12/1987	Wright et al. ....	D6/425
D. 293,403	12/1987	Umanoff et al. ....	D6/555
D. 407,916	4/1999	Zaidman et al. ....	D6/397

### OTHER PUBLICATIONS

Design drawing: "Workstation for Monorail Computer." RG&A Products, Houston, Texas.

Design drawing: "Workstation w/ Short Door and Fenders." Proximity Systems, Inc., Houston, Texas. Oct. 28, 1998.

Design drawing: "Workstation for Planar Computer." Proximity Systems, Inc., Houston, Texas. Dec. 3, 1998.

*Primary Examiner*—Cathron Brooks

*Attorney, Agent, or Firm*—Browning Bushman

## [57] CLAIM

The ornamental design for a retractable desk, as shown and described.

## DESCRIPTION

FIG. 1 is a front perspective view of the retractable desk of the present invention with accompanying work surface in the opened position and accompanying bottom doors in the closed position;

FIG. 2 is a front elevational view thereof with accompanying work surface in the opened position and accompanying bottom doors in the closed position;

FIG. 3 is a right side elevational view thereof with accompanying work surface in the opened position and accompanying bottom doors in the closed position, the left side being a mirror image thereof;

FIG. 4 is a top plan view thereof with accompanying work surface in the opened position and accompanying bottom doors in the closed position;

FIG. 5 is a bottom plan view thereof with accompanying work surface in the opened position and accompanying bottom doors in the closed position;

FIG. 6 is a front elevational view thereof with accompanying work surface and bottom doors in the closed position;

FIG. 7 is a right side elevational view thereof with accompanying work surface and bottom doors in the closed position, the left side being a mirror image thereof;

FIG. 8 is a top plan view thereof with accompanying work surface and bottom doors in the closed position;

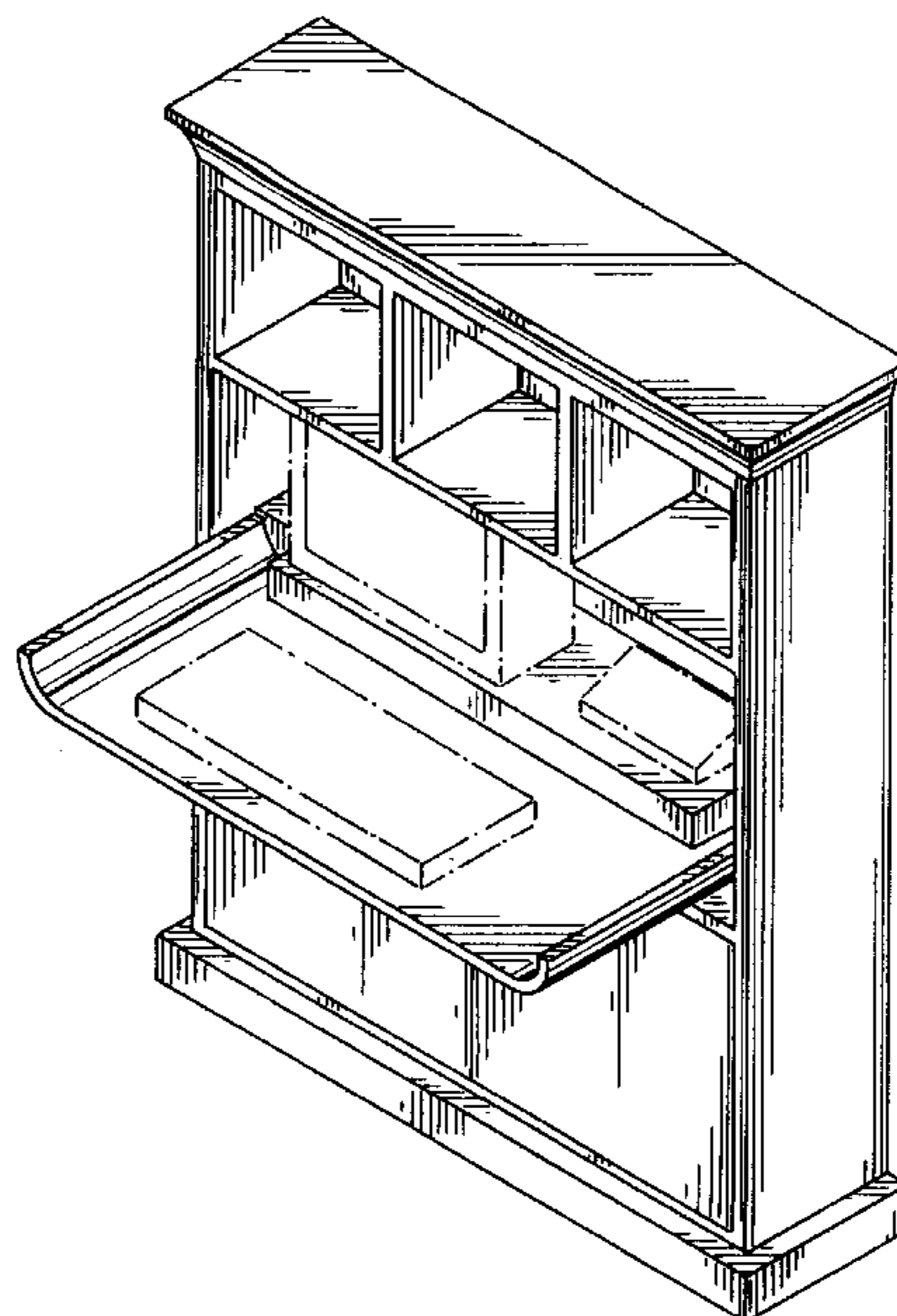
FIG. 9 is a bottom plan view thereof with accompanying work surface and bottom doors in the closed position; and,

FIG. 10 is a bottom perspective view thereof with accompanying work surface and bottom doors in the opened position.

The surface(s) or portion(s) of the article not shown in the drawing or described in the specification form(s) no part of the claimed design.

The broken lines shown are for illustrative purposes only and form no part of the claimed design.

**1 Claim, 3 Drawing Sheets**



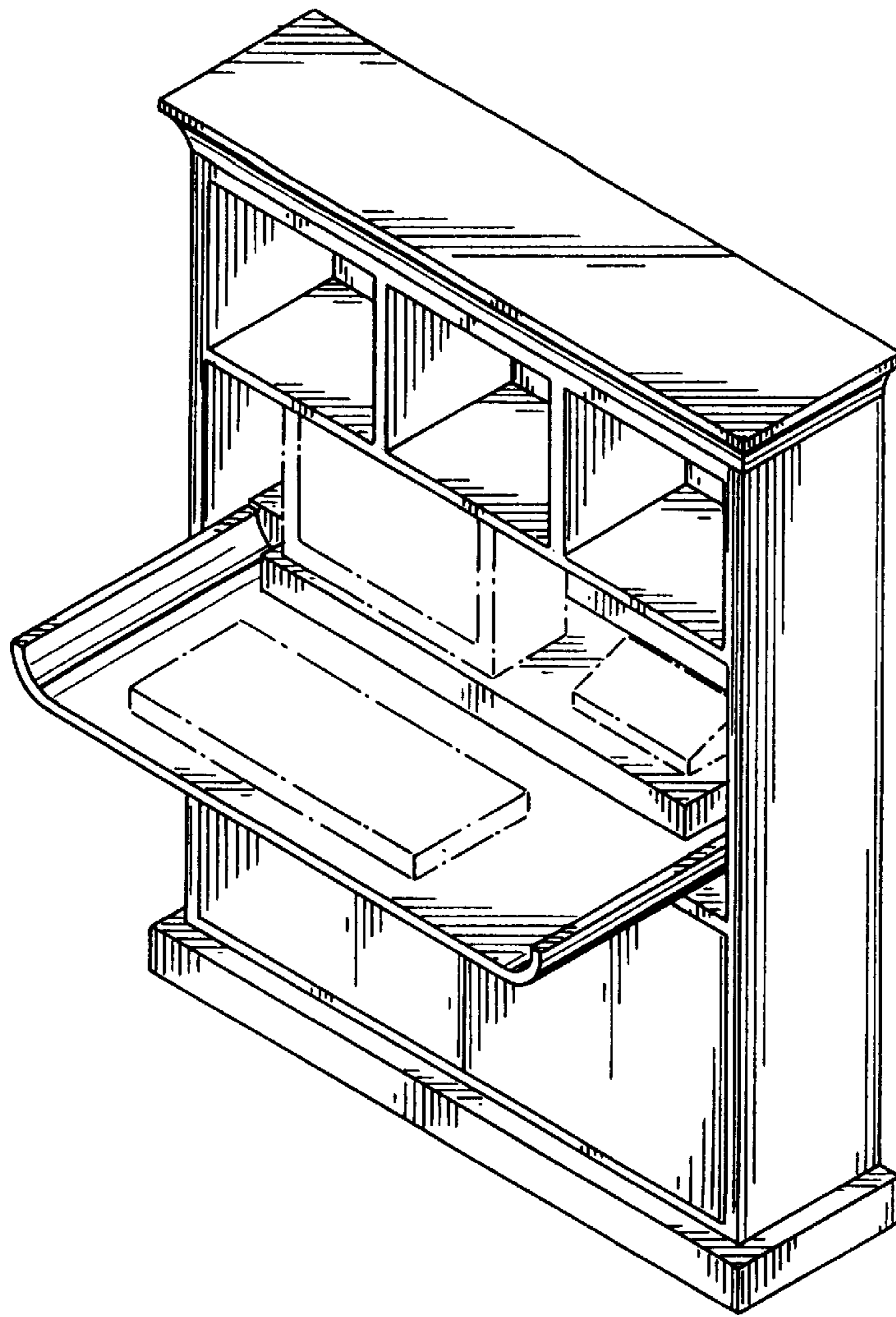


FIG. 1

FIG. 4

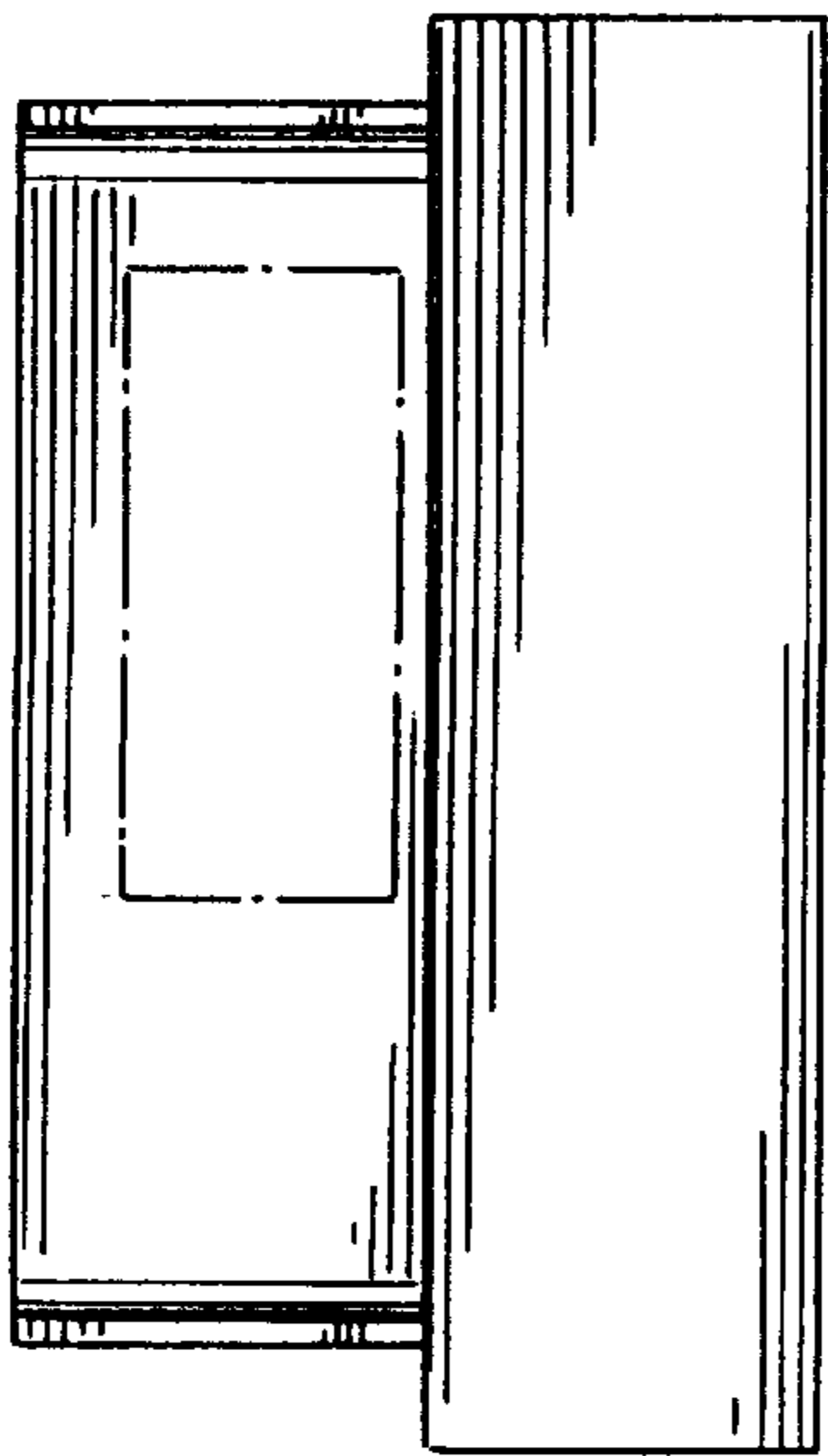
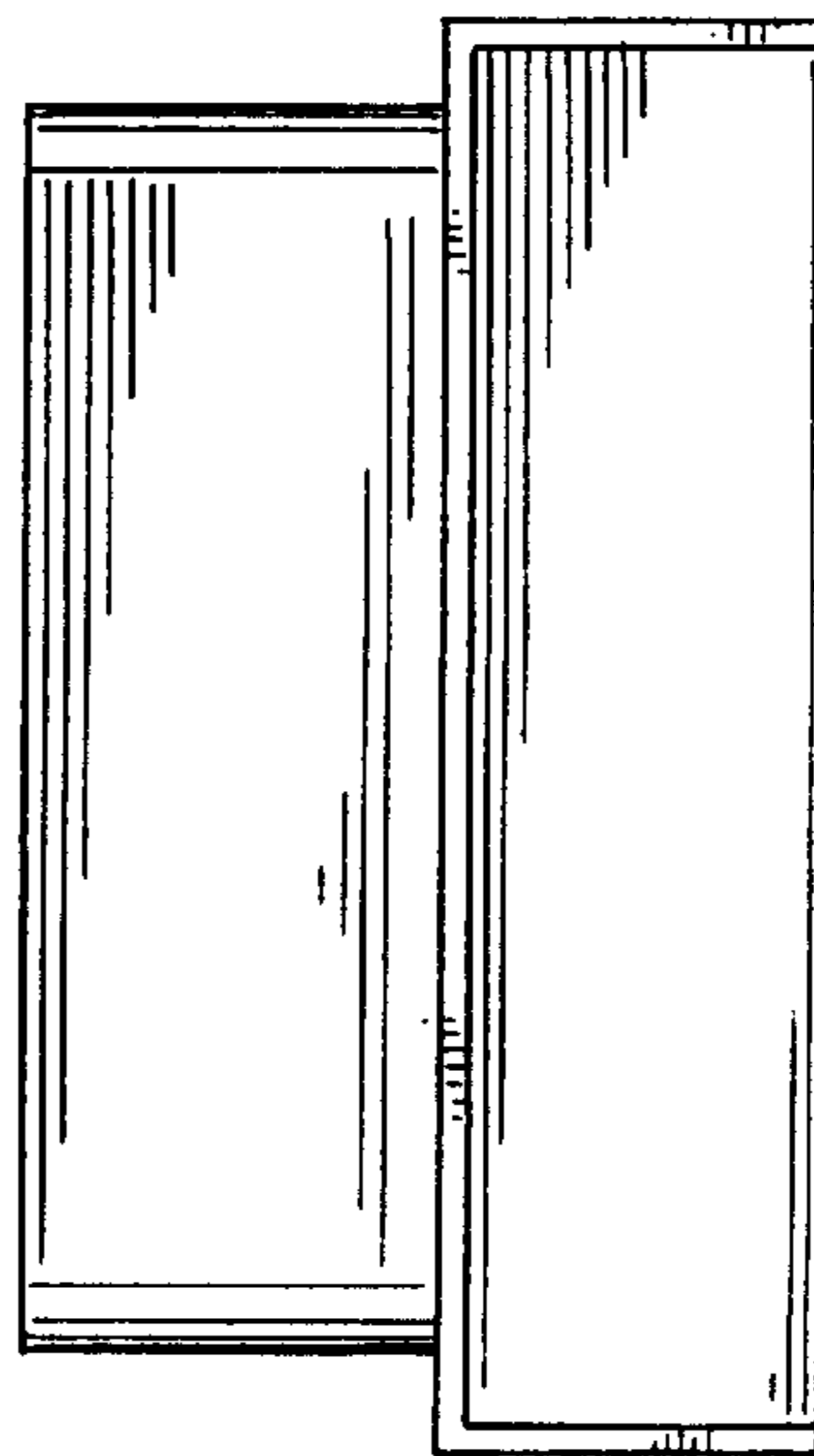
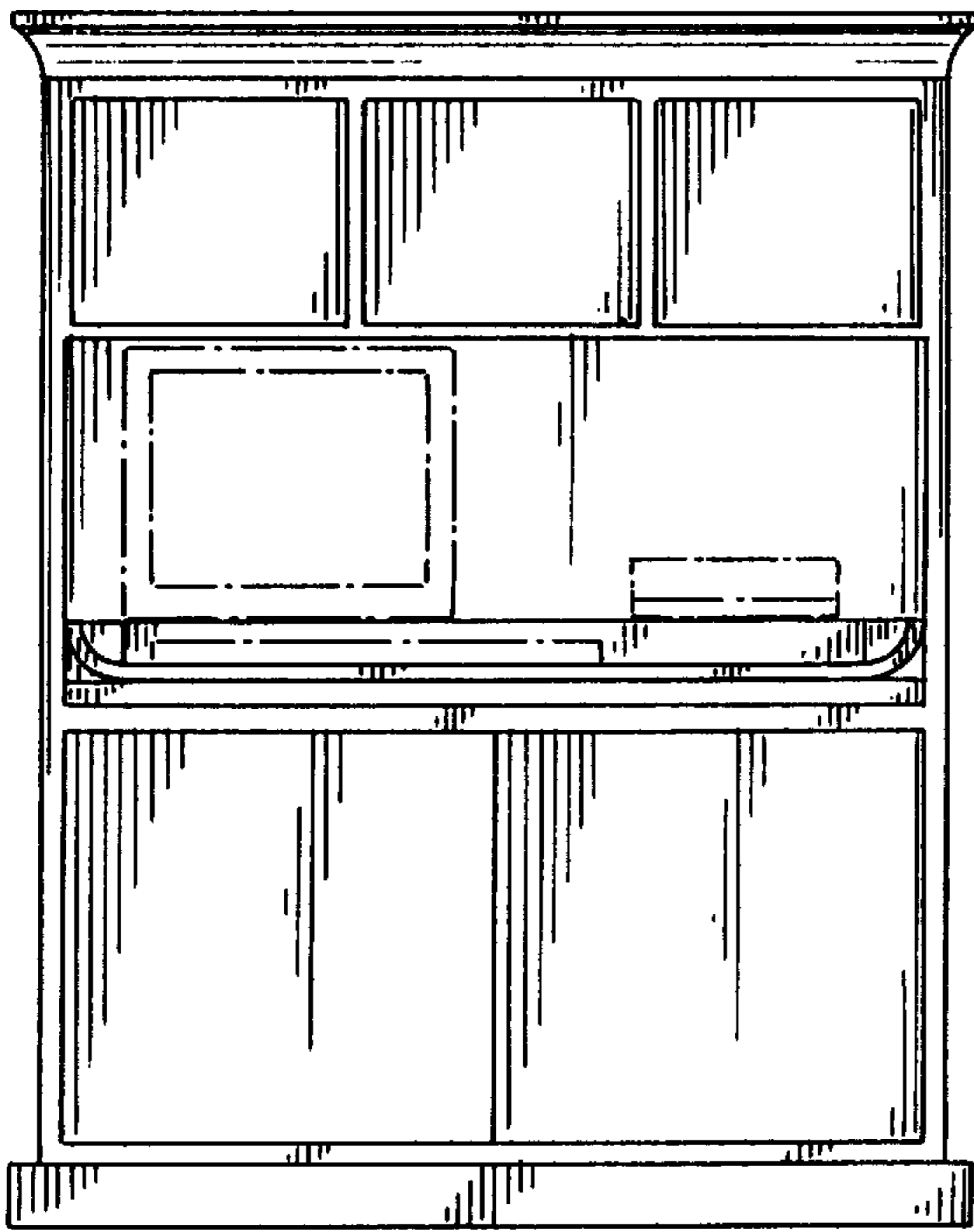


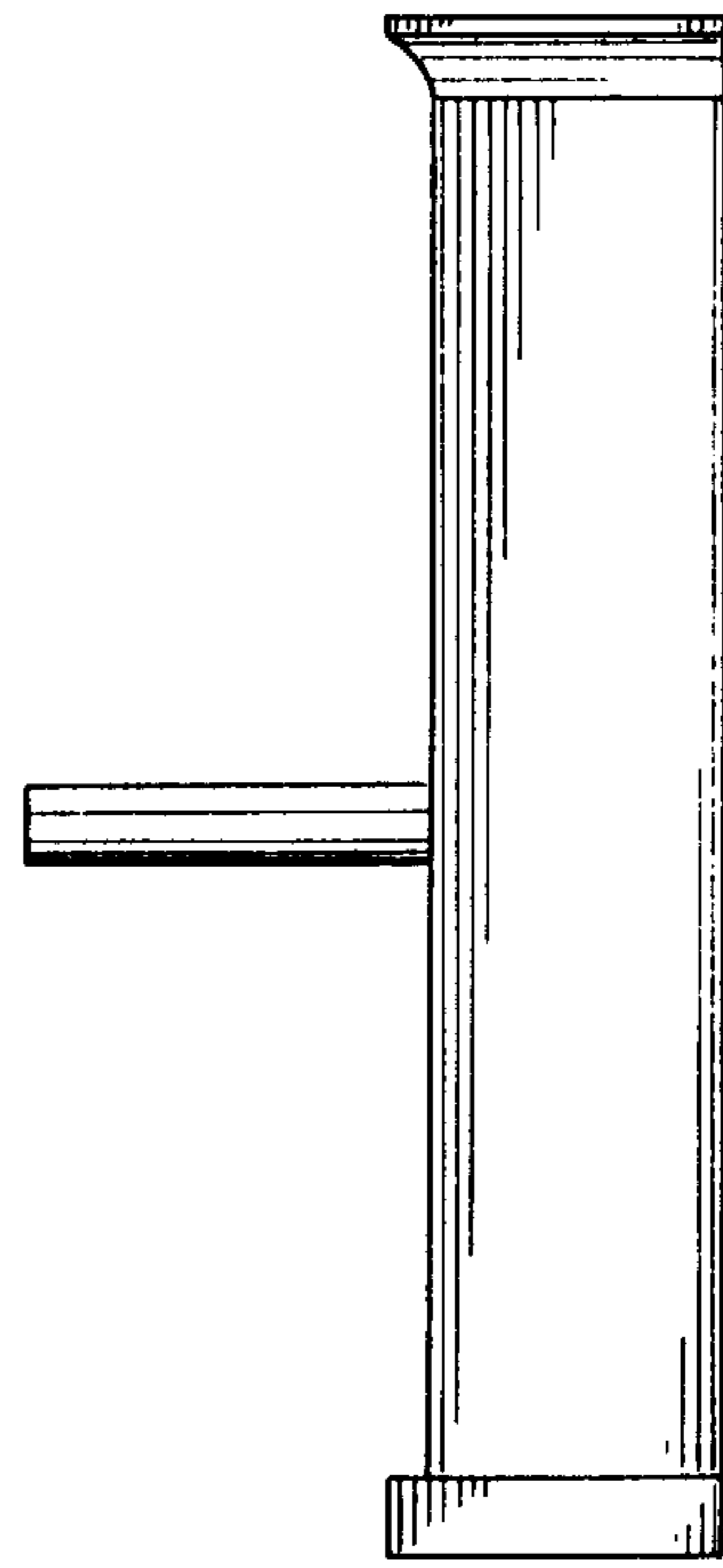
FIG. 5



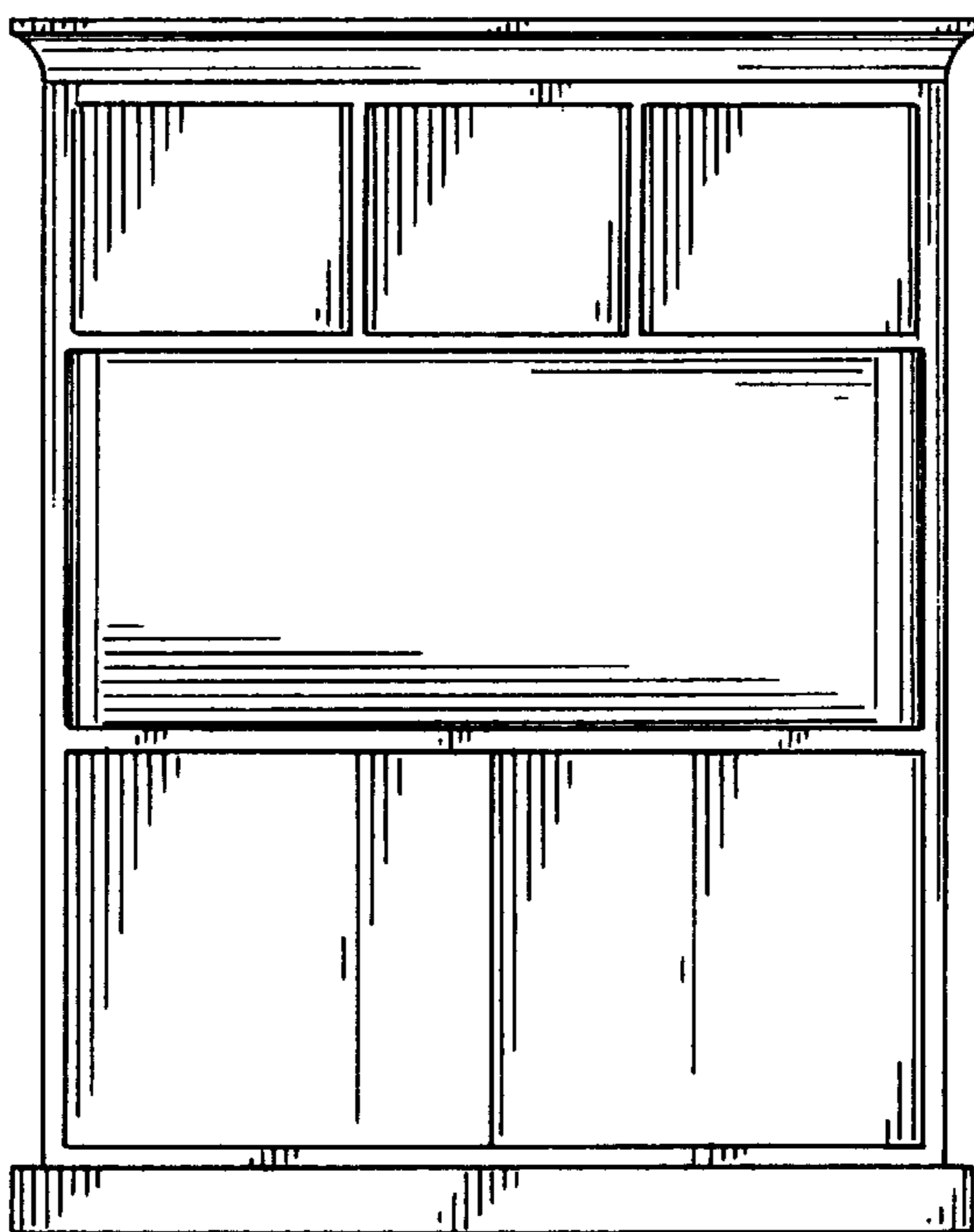
*FIG. 2*



*FIG. 3*



*FIG. 6*



*FIG. 7*



FIG. 8

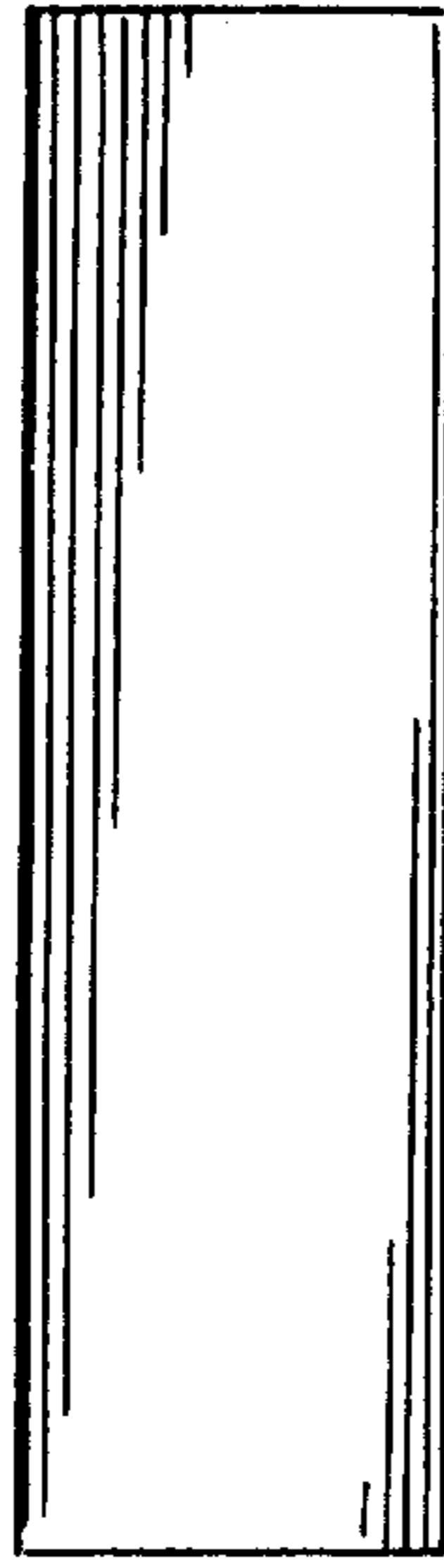


FIG. 9

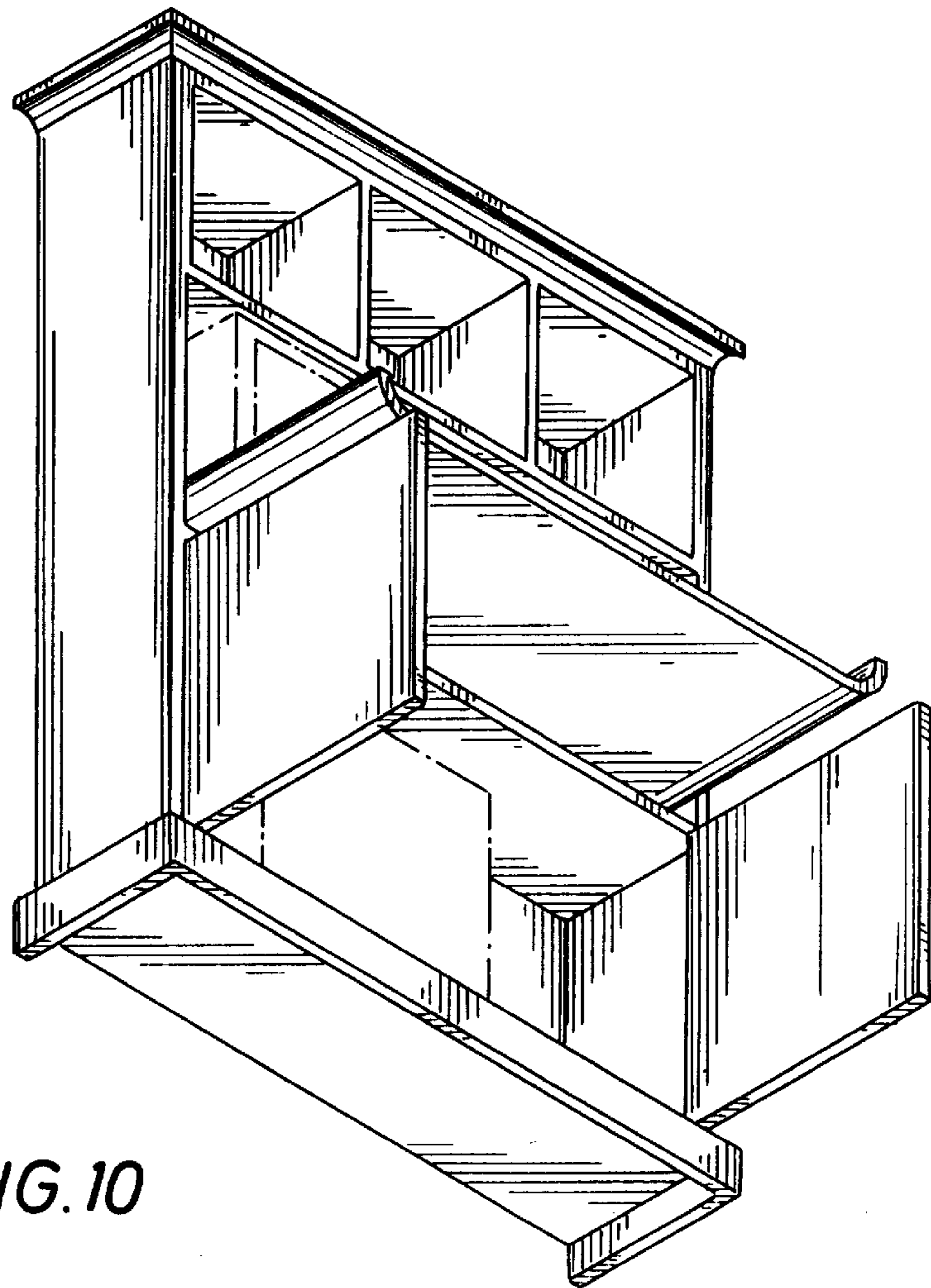
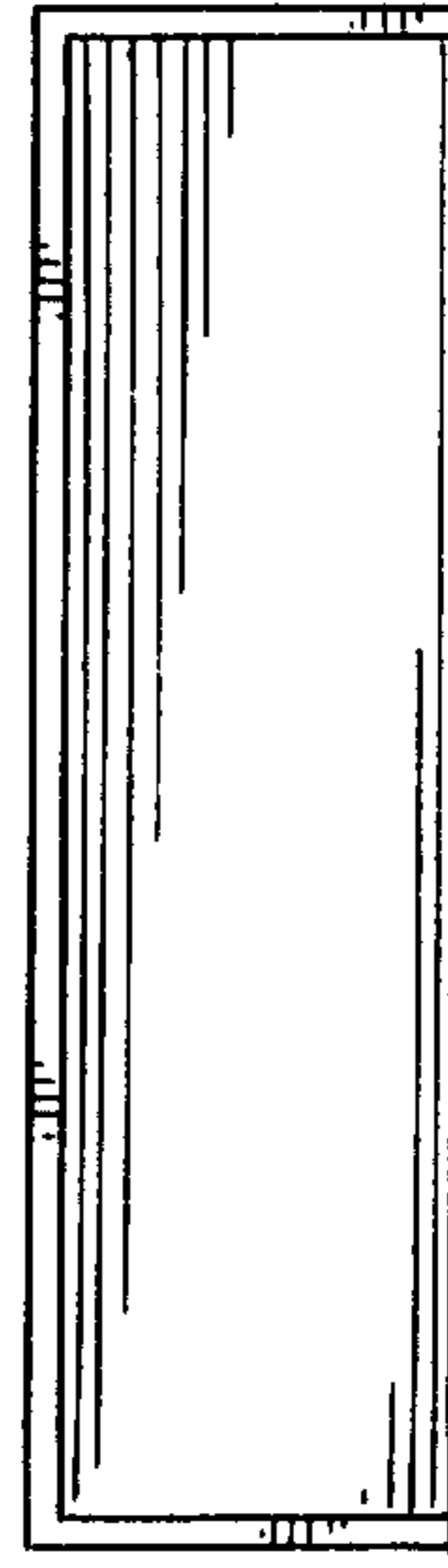


FIG. 10