



US00D435360S

United States Patent [19]

Gentile et al.

[11] Patent Number: Des. 435,360

[45] Date of Patent: ** Dec. 26, 2000

[54] PORTABLE DESK

5,516,072 5/1996 Shinno 248/460

[75] Inventors: **Luigi Gentile**, 122 Fremont Pl., Los Angeles, Calif. 90005; **Bradford T. Sorensen**, Glendale, Calif.

Primary Examiner—Janice E. Seeger
Attorney, Agent, or Firm—Sheldon & Mak

[73] Assignee: **Luigi Gentile**, Los Angeles, Calif.

[57] CLAIM

[**] Term: 14 Years

The ornamental design for a portable desk, as shown and described.

[21] Appl. No.: 29/106,552

DESCRIPTION

[22] Filed: Jun. 17, 1999

[51] LOC (7) Cl. 06-06

[52] U.S. Cl. D6/419

[58] Field of Search D6/419, 420, 300, D6/301, 302, 310-314; 248/441.1, 456, 460, 454, 463, 447; 40/700, 721, 722, 790, 798

FIG. 1 is a perspective view of a portable desk, according to the present invention, having a support leg, the support leg being in a use position.

FIG. 2 is a top plan view of the portable desk as shown in FIG. 1.

FIG. 3 is a side elevation view of the portable desk as shown in FIG. 1, wherein the opposing side is not shown since it is a mirror image of the view of FIG. 3.

FIG. 4 is a rear elevation view of the portable desk as shown in FIG. 1.

FIG. 5 is a bottom plan view of the portable desk as shown in FIG. 1.

FIG. 6 is a perspective view of the portable desk of FIG. 1 in a storage configuration wherein the support leg is not in use.

FIG. 7 is a top plan view of the portable desk as shown in FIG. 6.

FIG. 8 is a side elevation view of the portable desk as shown in FIG. 6, wherein the opposing side is not shown since it is a mirror image of the view of FIG. 6.

FIG. 9 is a rear elevation view of the portable desk as shown in FIG. 6; and,

FIG. 10 is a bottom plan view of the portable desk as shown in FIG. 6.

[56] References Cited

U.S. PATENT DOCUMENTS

| | | | | |
|------------|---------|--------------|-------|-----------|
| D. 339,241 | 9/1993 | Gray | | D6/311 |
| D. 341,958 | 12/1993 | Allred | | D6/406 |
| D. 364,507 | 11/1995 | Schwartz | | D6/300 |
| 674,668 | 5/1901 | Bisler | . | |
| 1,485,786 | 3/1924 | Kraft | . | |
| 1,848,854 | 3/1932 | Urich | . | |
| 2,478,849 | 8/1949 | Thompson | | 45/69 |
| 3,147,949 | 9/1964 | Webster | | 248/463 |
| 3,652,051 | 3/1972 | McFarlane | | 248/444 |
| 3,813,074 | 5/1974 | Mulvaney | | 248/452 |
| 3,821,936 | 7/1974 | Morse | | 108/43 |
| 3,951,374 | 4/1976 | Quigley | | 248/451 |
| 5,129,715 | 7/1992 | Maynard, Jr. | | 312/351.9 |
| 5,165,648 | 11/1992 | Quigley | | 248/451 |
| 5,451,025 | 9/1995 | Hames | | 248/456 |

1 Claim, 4 Drawing Sheets

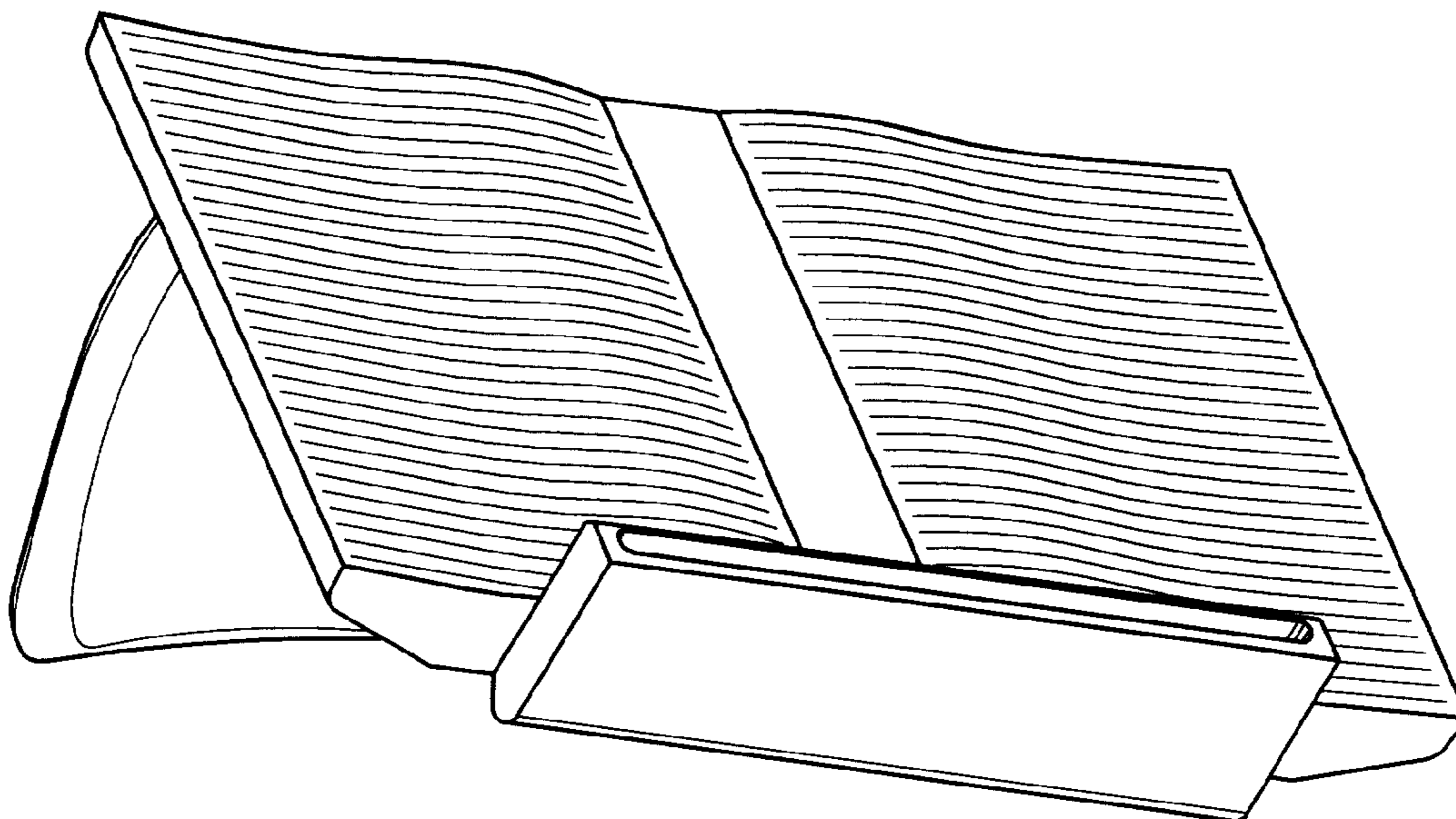


FIG. 1

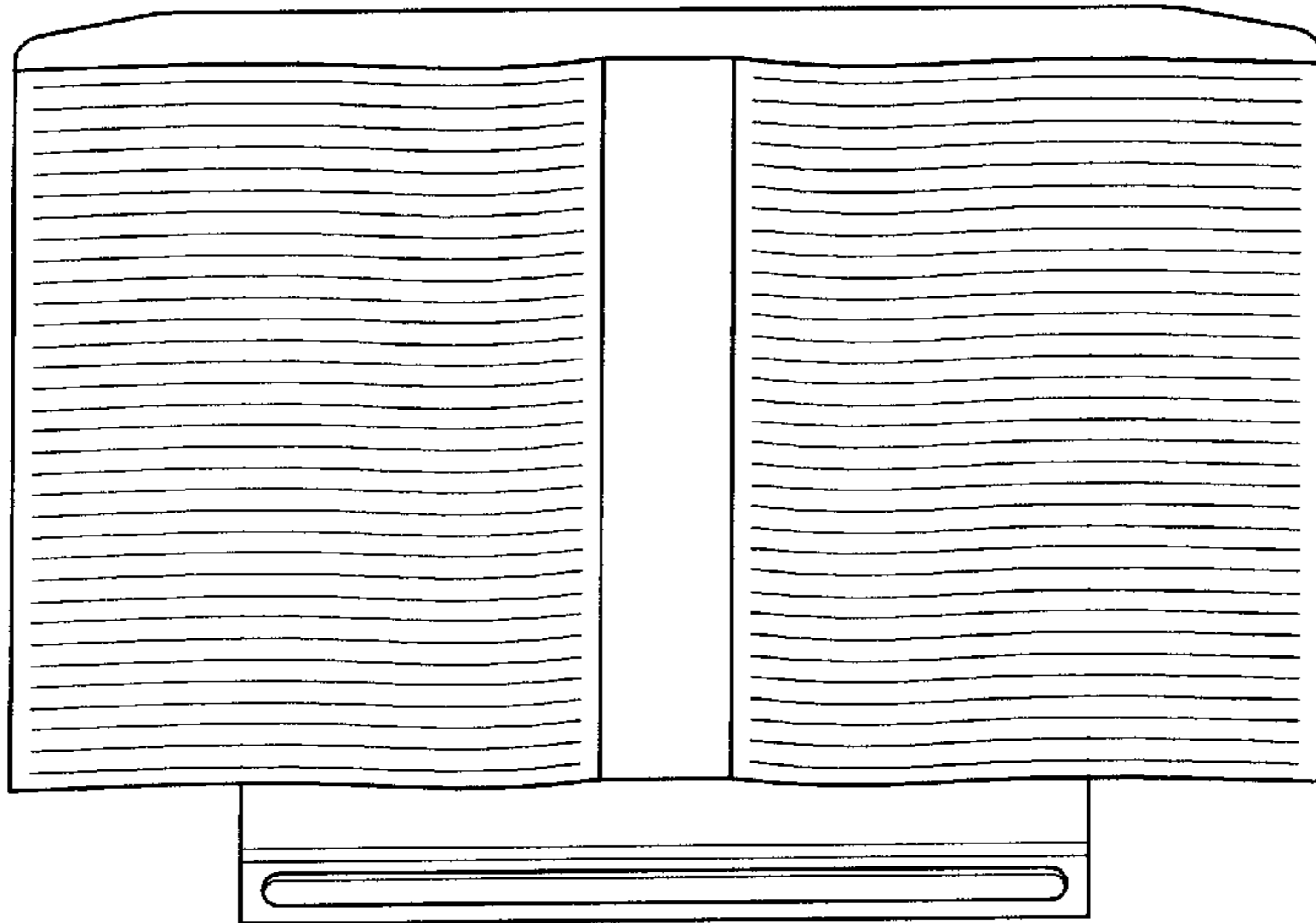
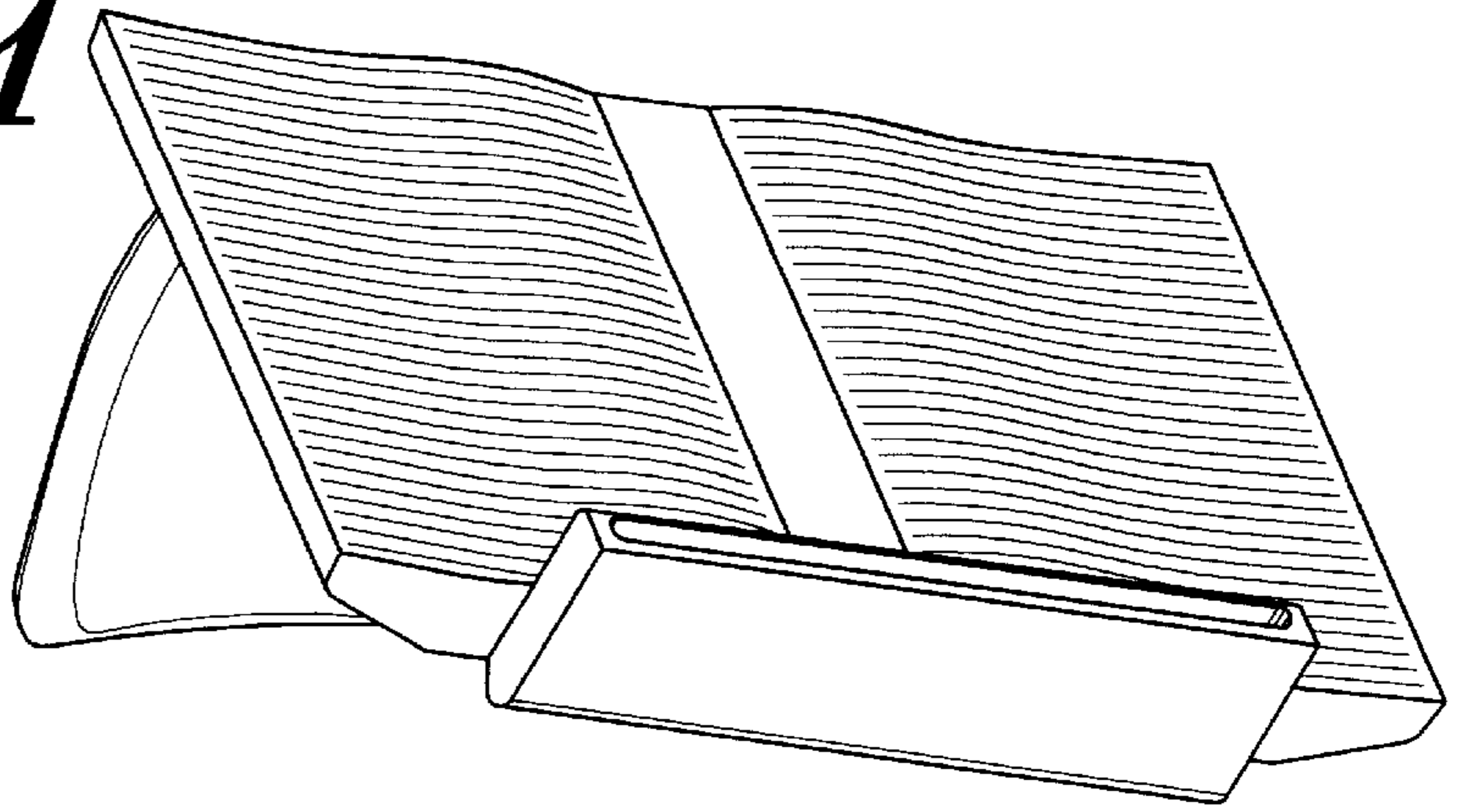
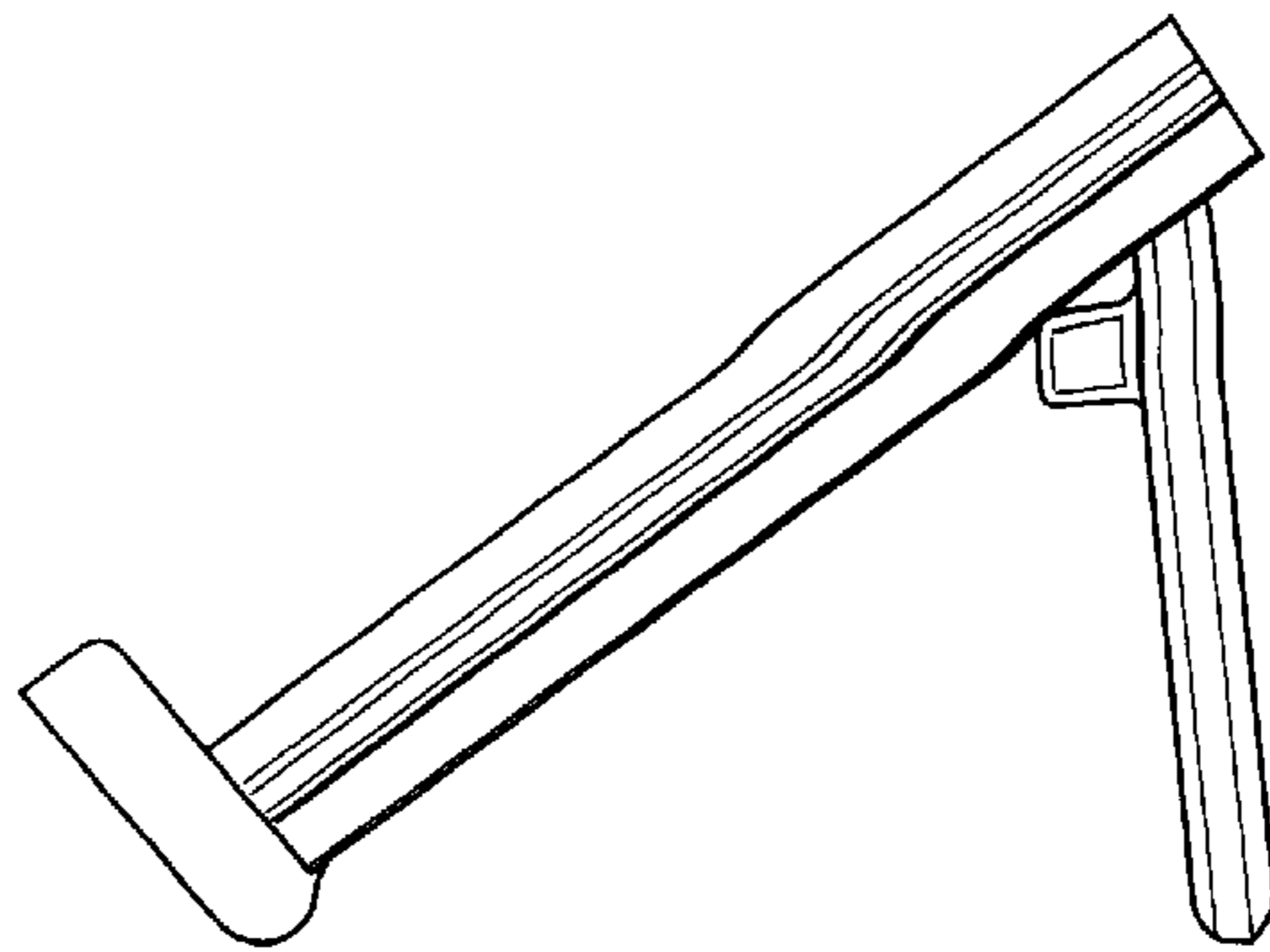


FIG. 2

FIG. 3



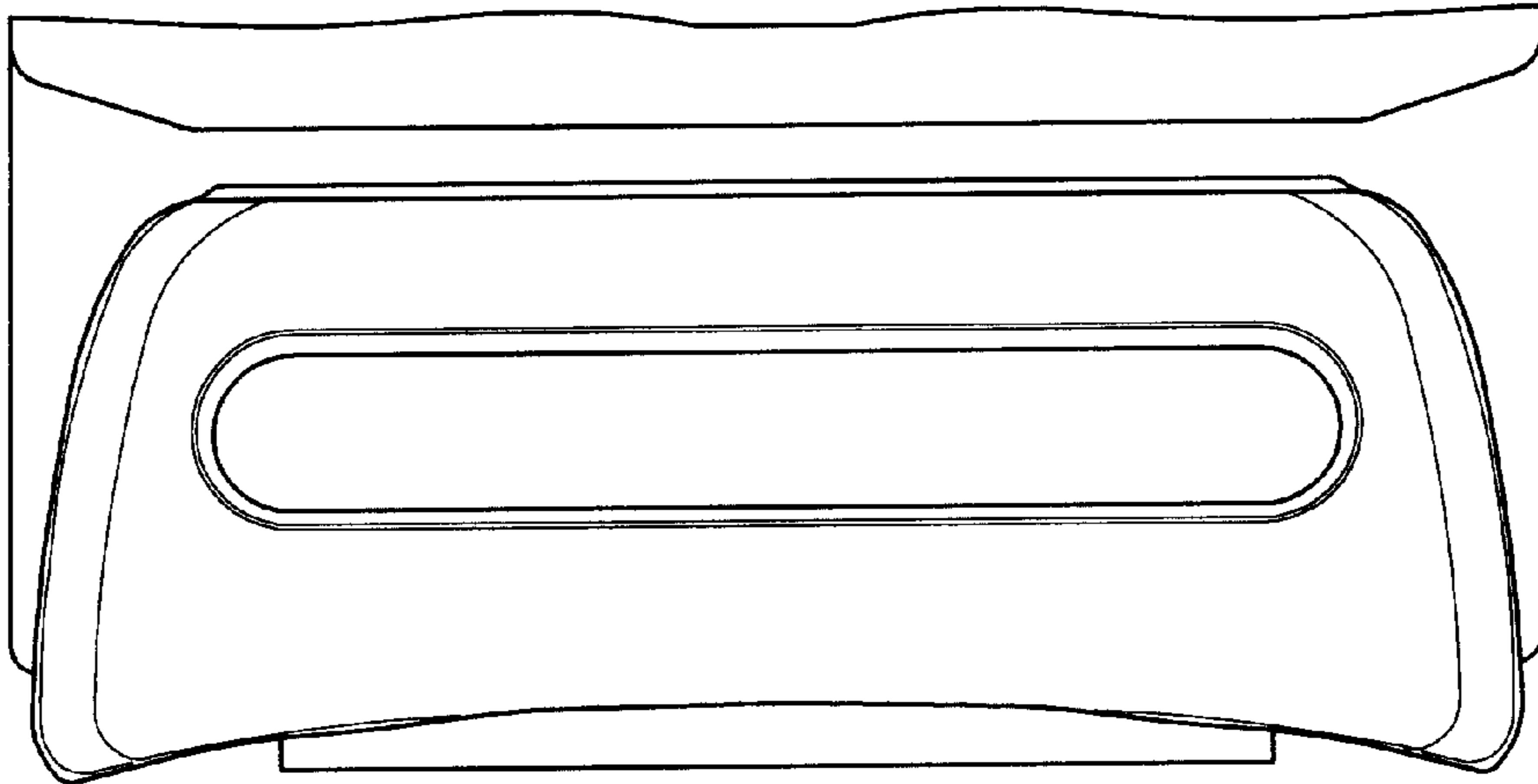


FIG. 4

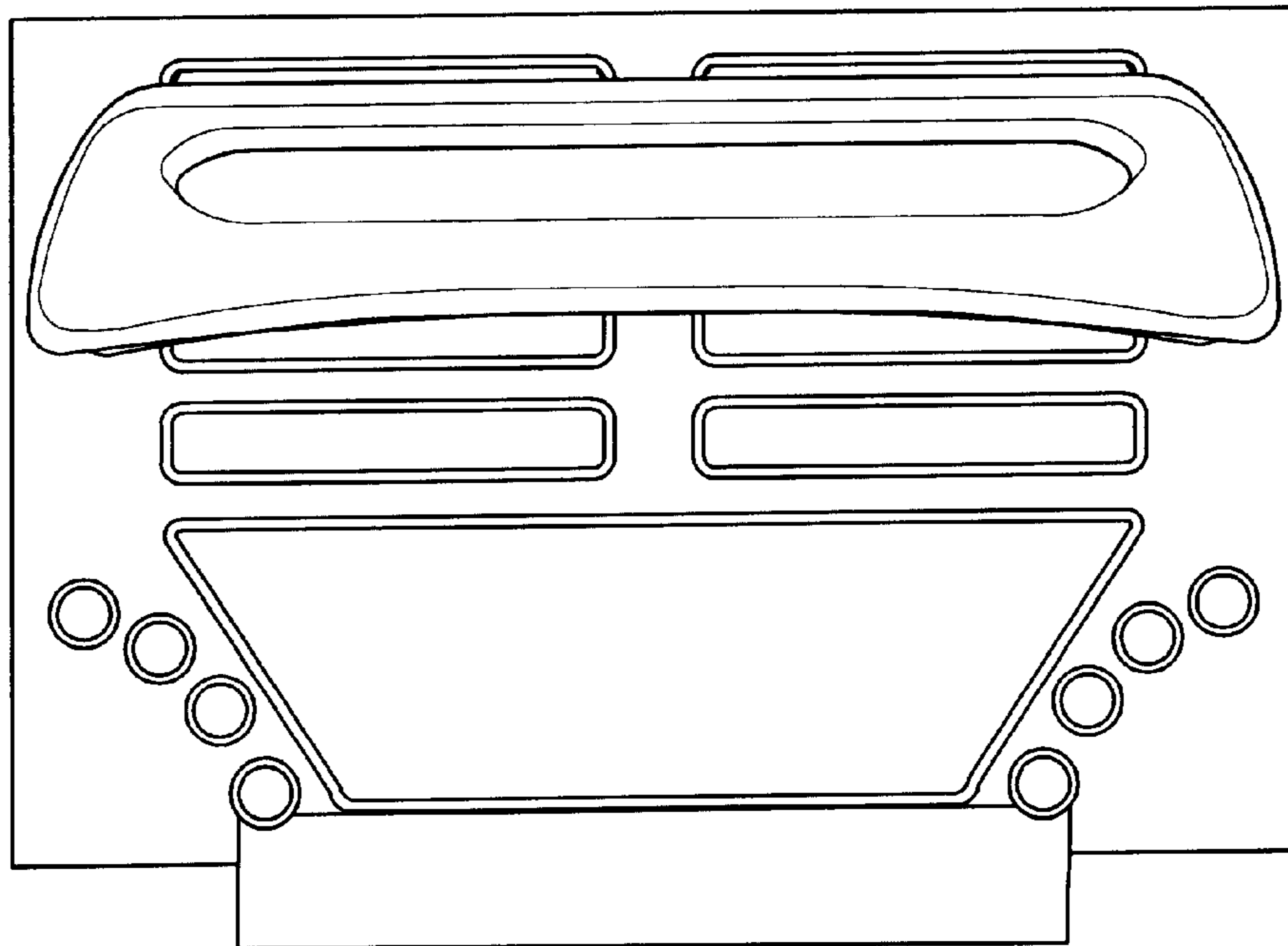


FIG. 5

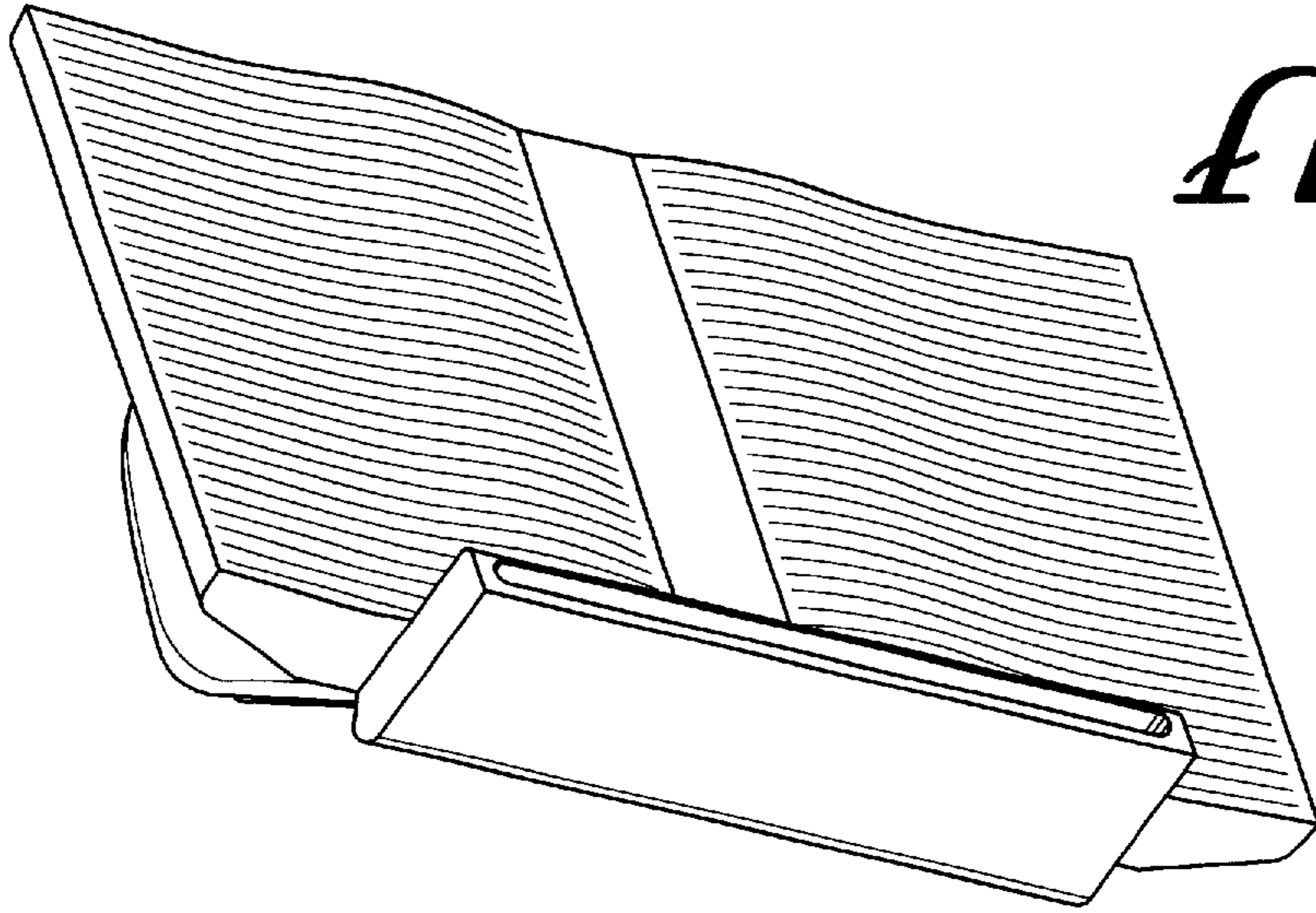


FIG. 6

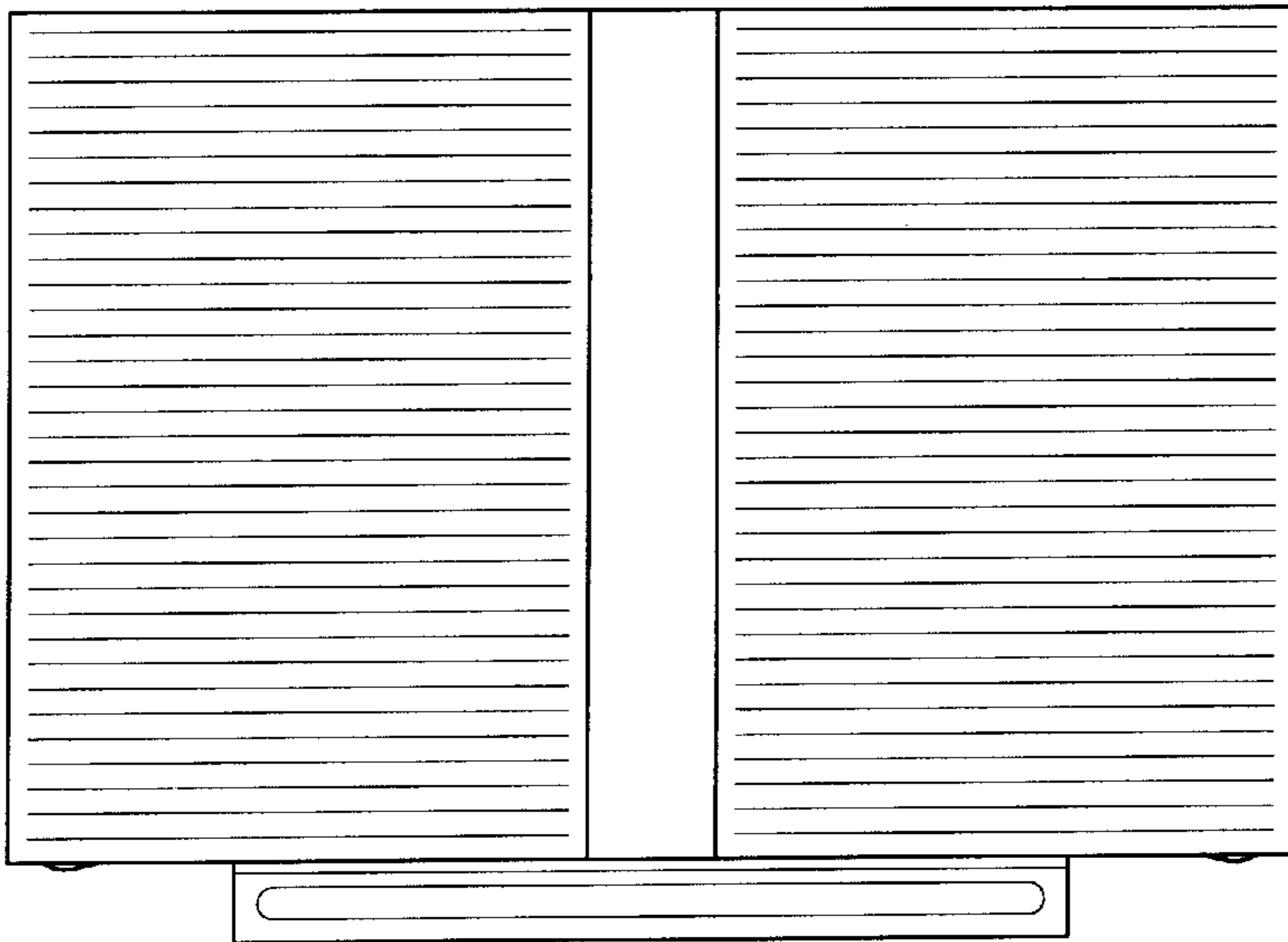


FIG. 7

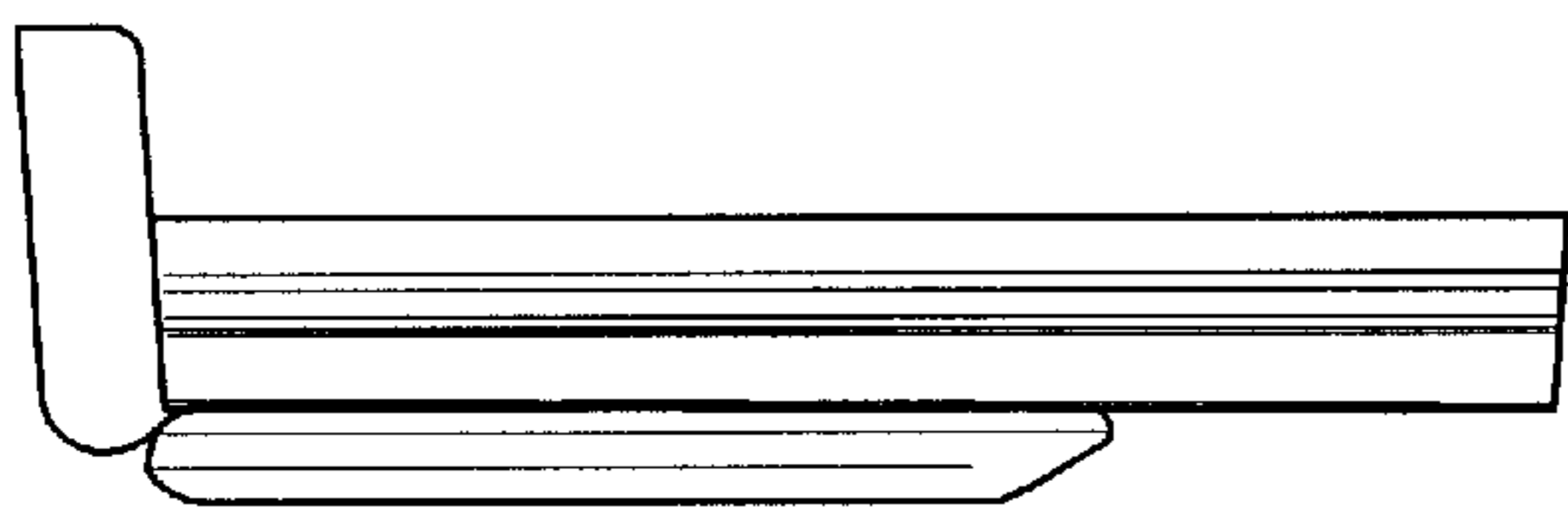


FIG. 8

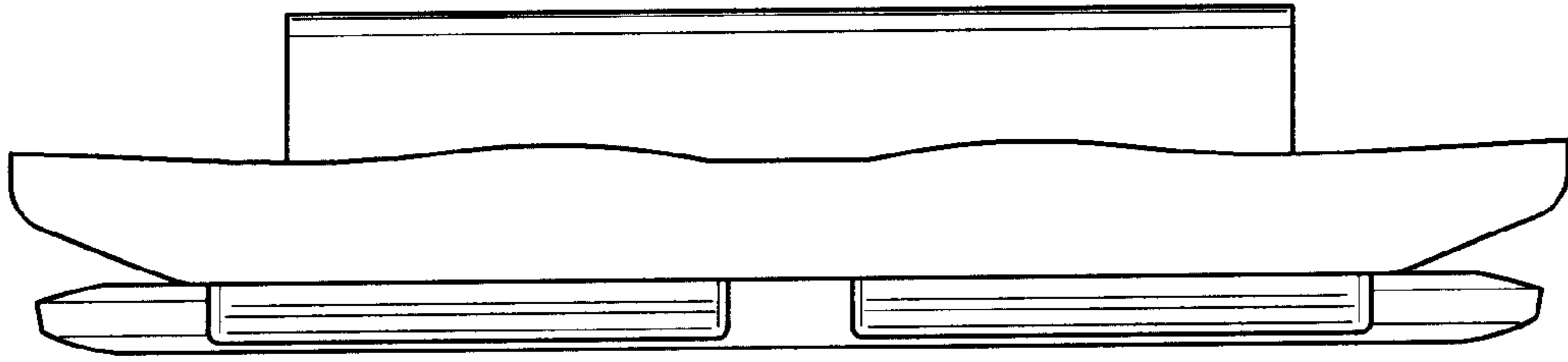


Fig. 9

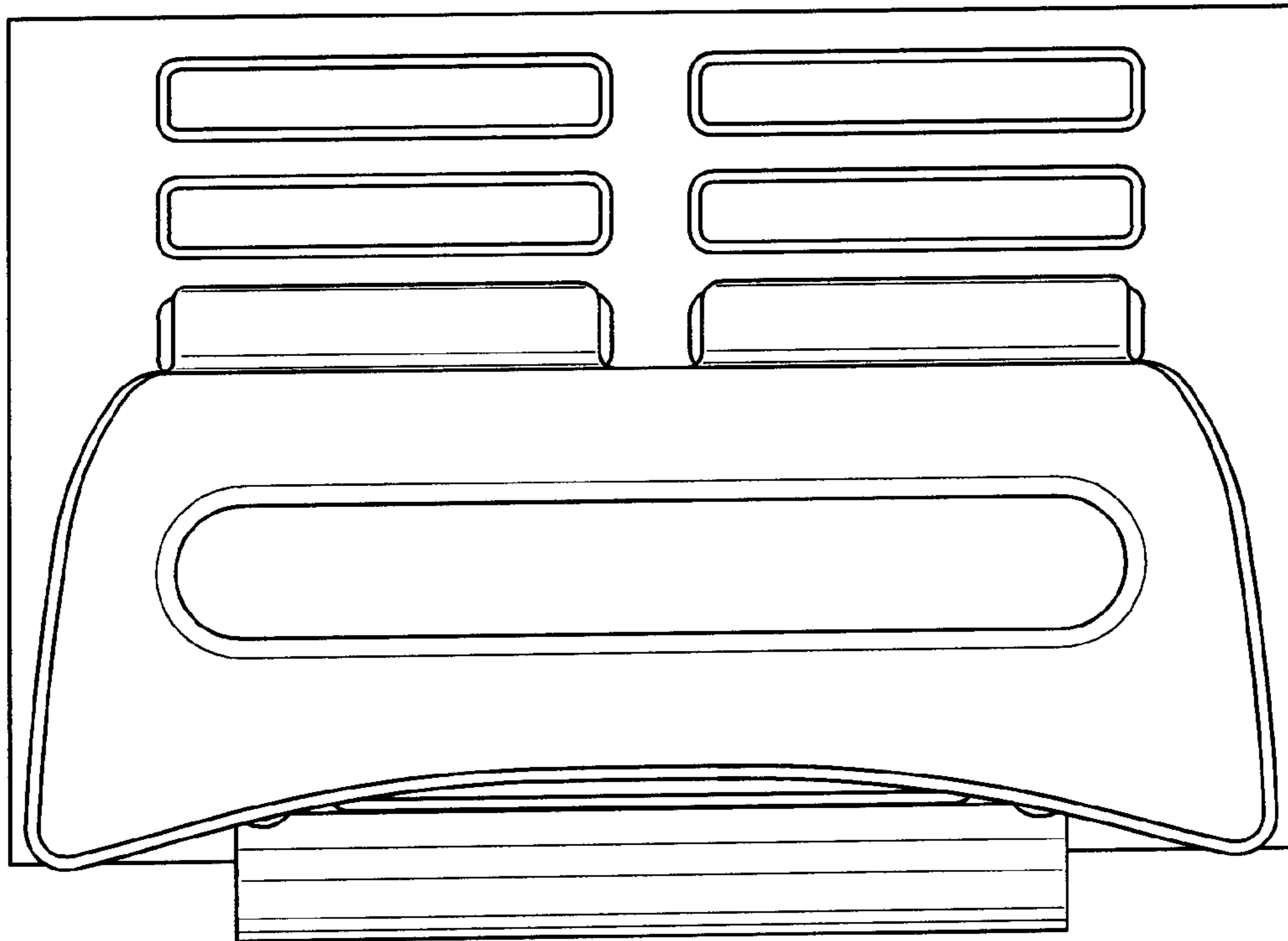


Fig. 10