



US00D435359S

United States Patent [19]
McCarron

[11] **Patent Number: Des. 435,359**

[45] **Date of Patent: ** Dec. 26, 2000**

[54] **PLANT AND FLOWER SUPPORT**

3,432,136 3/1969 Panney 248/27.8

OTHER PUBLICATIONS

[76] Inventor: **Patricia Ann Welsh McCarron**, 811
Aaron Ct., Great Falls, Va. 22066

WPS-25 Plant Stand, p. 8, Decorative Metalcroft catalog,
Jul. 1940.

[**] Term: **14 Years**

Primary Examiner—Doris V. Coles
Assistant Examiner—Mimosa De
Attorney, Agent, or Firm—McGinn & Gibb, P.C.

[21] Appl. No.: **29/115,445**

[57] **CLAIM**

[22] Filed: **Dec. 15, 1999**

The ornamental design for a plant and flower support, as
shown and described.

DESCRIPTION

[51] **LOC (7) Cl.** **06-99**

[52] **U.S. Cl.** **D6/403**

[58] **Field of Search** D6/403-405; D11/143-156;
47/39, 41.01, 41.11, 41.14, 41.15, 42, 44-47;
206/423; 211/85.31, 85.23; D7/601, 619

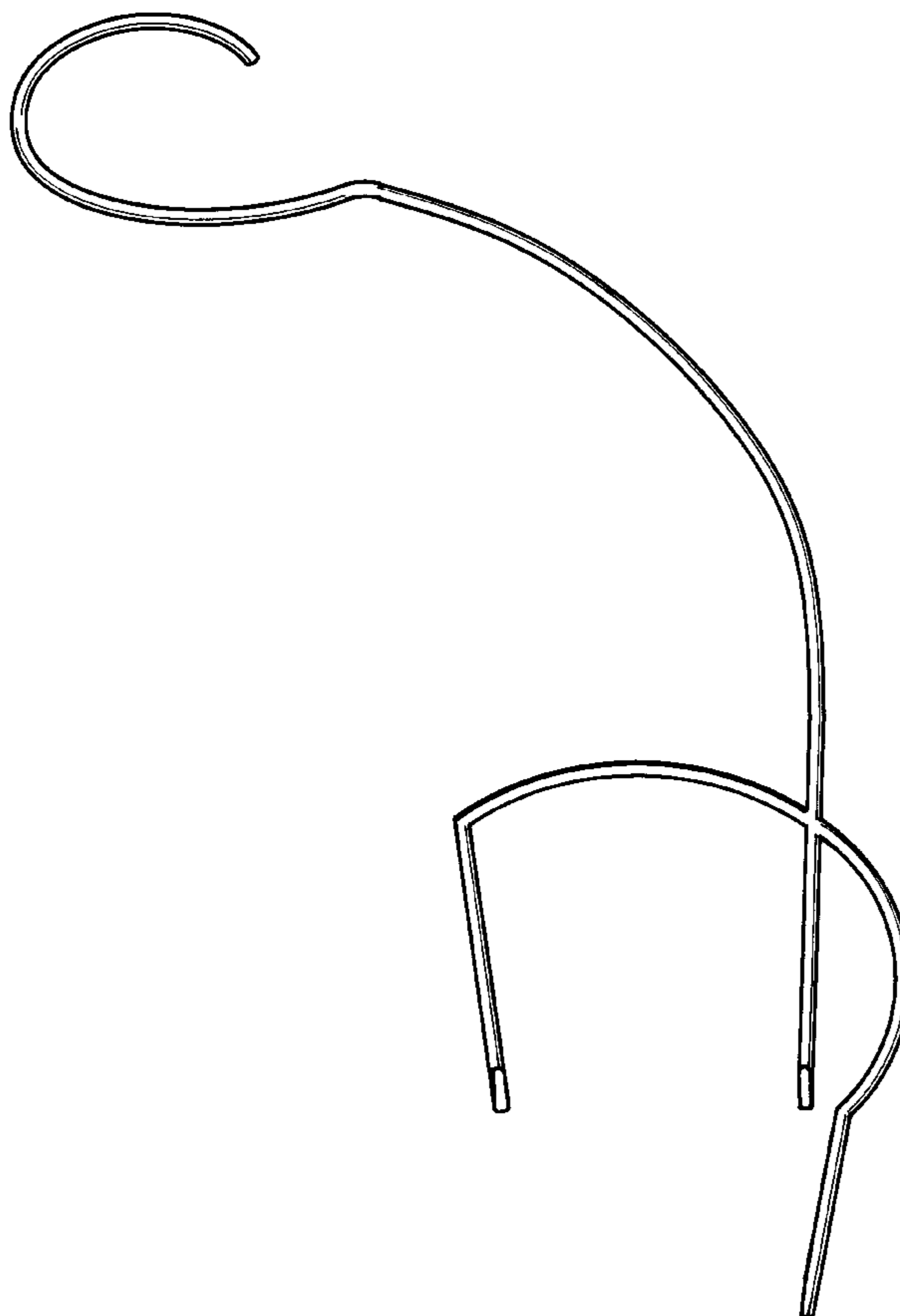
FIG. 1 is a front perspective view of a plant and flower
support of the design according to the present invention;
FIG. 2 is a side view of the plant and flower support from
the right of FIG. 1 according to the present invention;
FIG. 3 is a side view of the plant and flower support from
the left of FIG. 1 according to the present invention;
FIG. 4 is a front view of the plant and flower support of FIG.
1 according to the present invention;
FIG. 5 is a rear view of the plant and flower support of FIG.
1 according to the present invention;
FIG. 6 is a bottom plan view of the plant and flower support
of FIG. 1 according to the present invention; and,
FIG. 7 is a top plan view of the plant and flower support of
FIG. 1 according to the present invention.

[56] **References Cited**

U.S. PATENT DOCUMENTS

| | | | |
|------------|---------|----------------------|---------|
| D. 88,581 | 12/1932 | Scott et al. | D6/403 |
| D. 137,106 | 1/1944 | Caplan | D11/154 |
| D. 352,674 | 11/1994 | Richards et al. | D11/148 |
| D. 383,916 | 9/1997 | Richards et al. | D6/403 |
| D. 393,159 | 4/1998 | Richards et al. | D6/403 |
| D. 419,385 | 1/2000 | Send, Jr. | D7/601 |
| 1,406,893 | 2/1922 | Randall | 47/39 |
| 2,794,554 | 6/1957 | Donner | D11/148 |

1 Claim, 4 Drawing Sheets



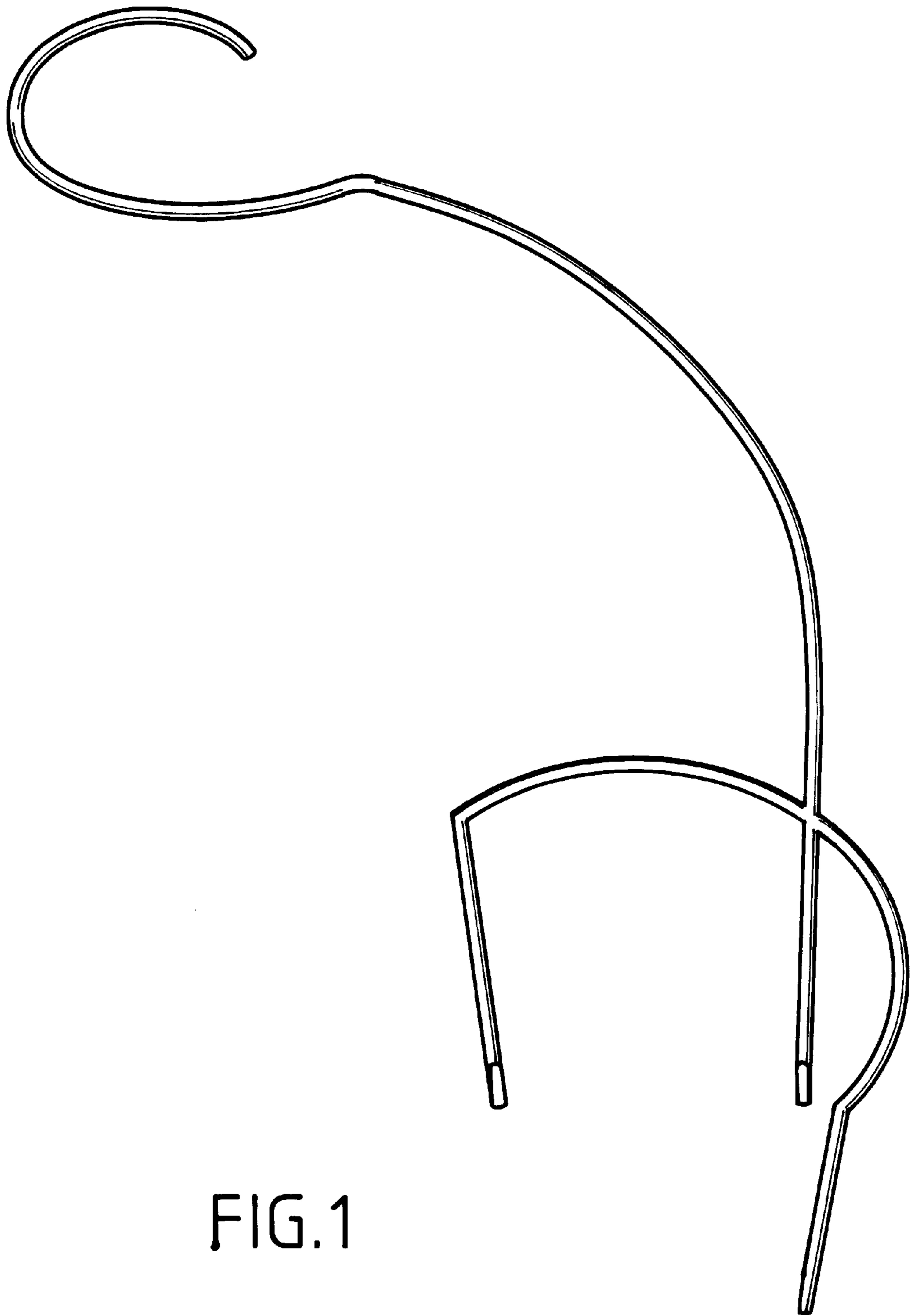


FIG.1

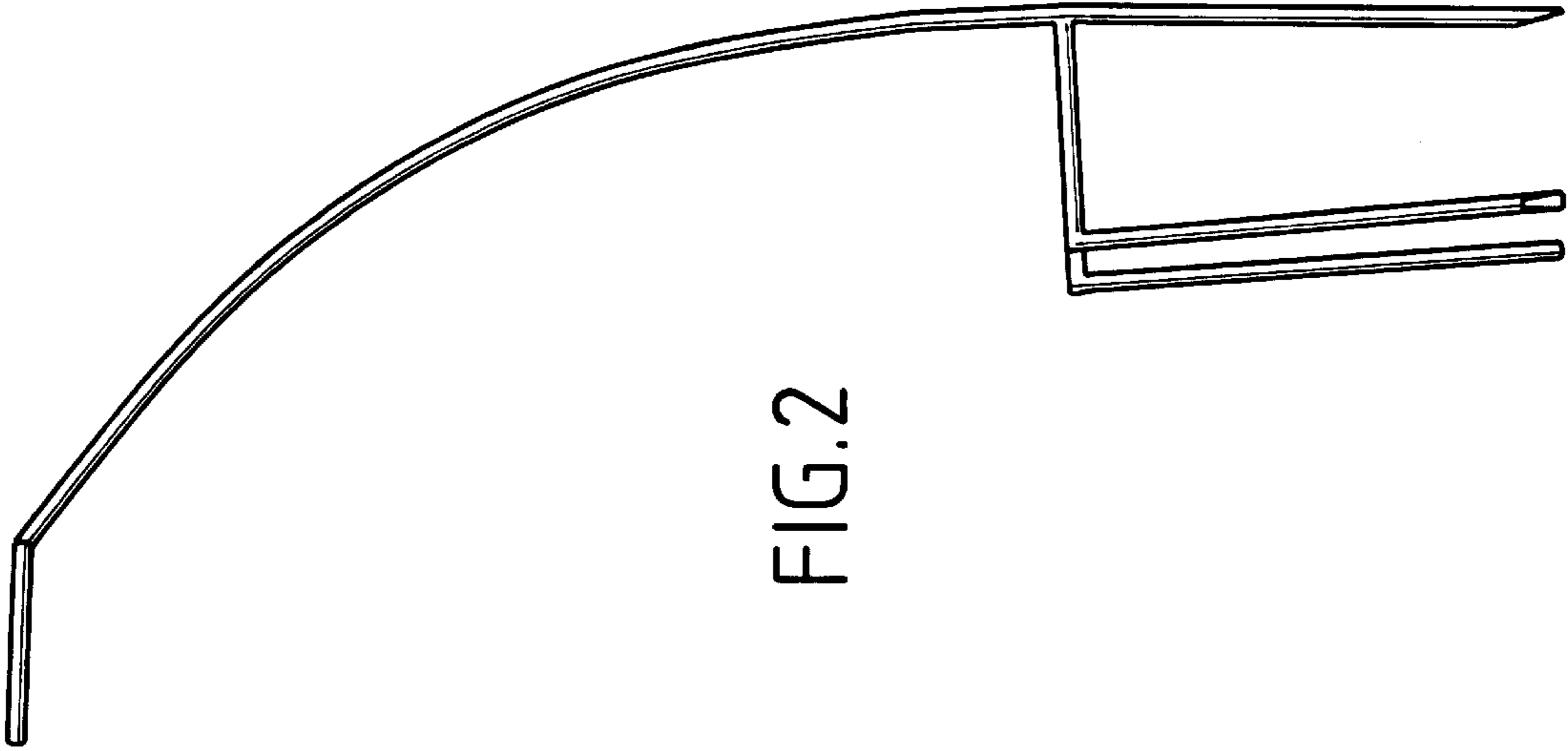


FIG. 2

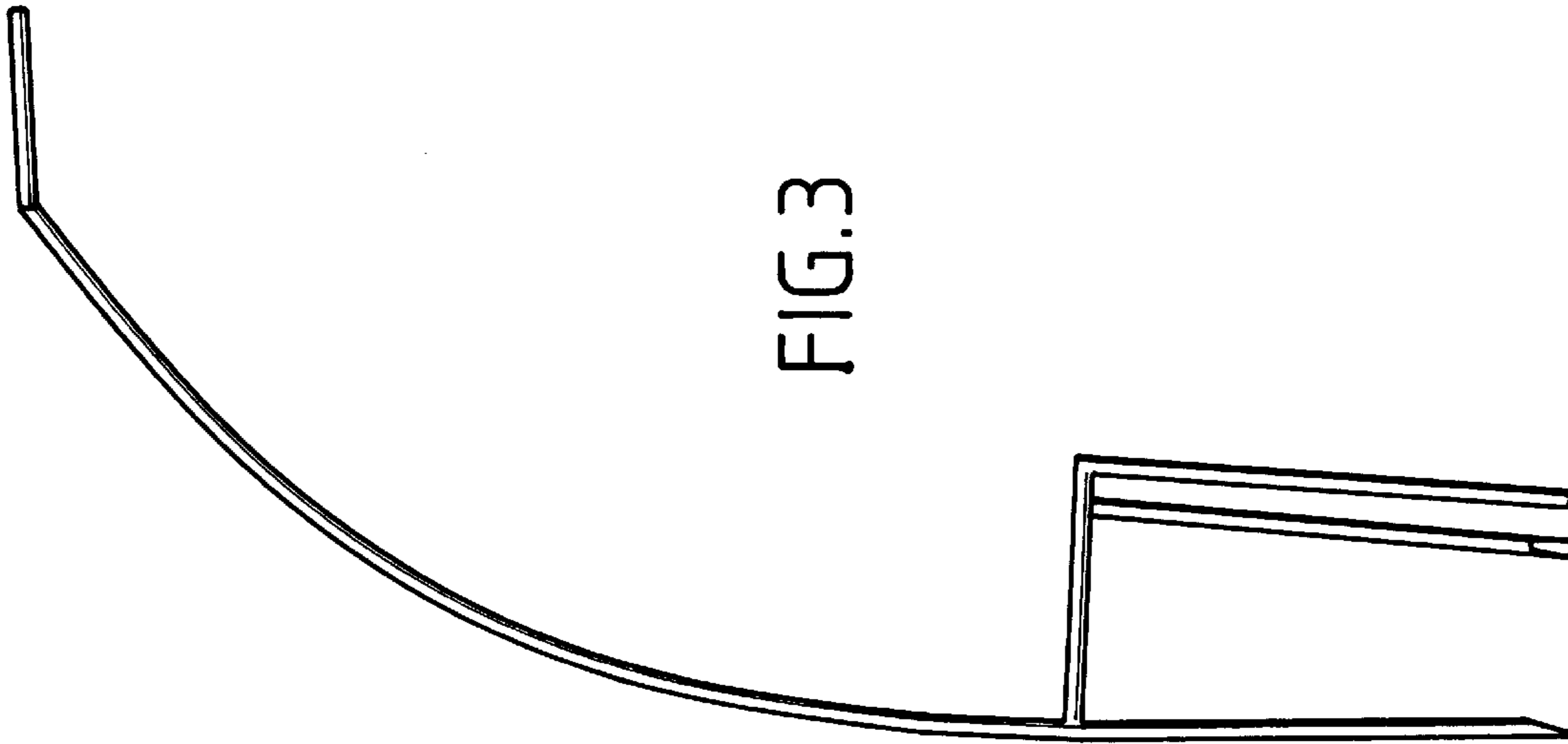


FIG. 3

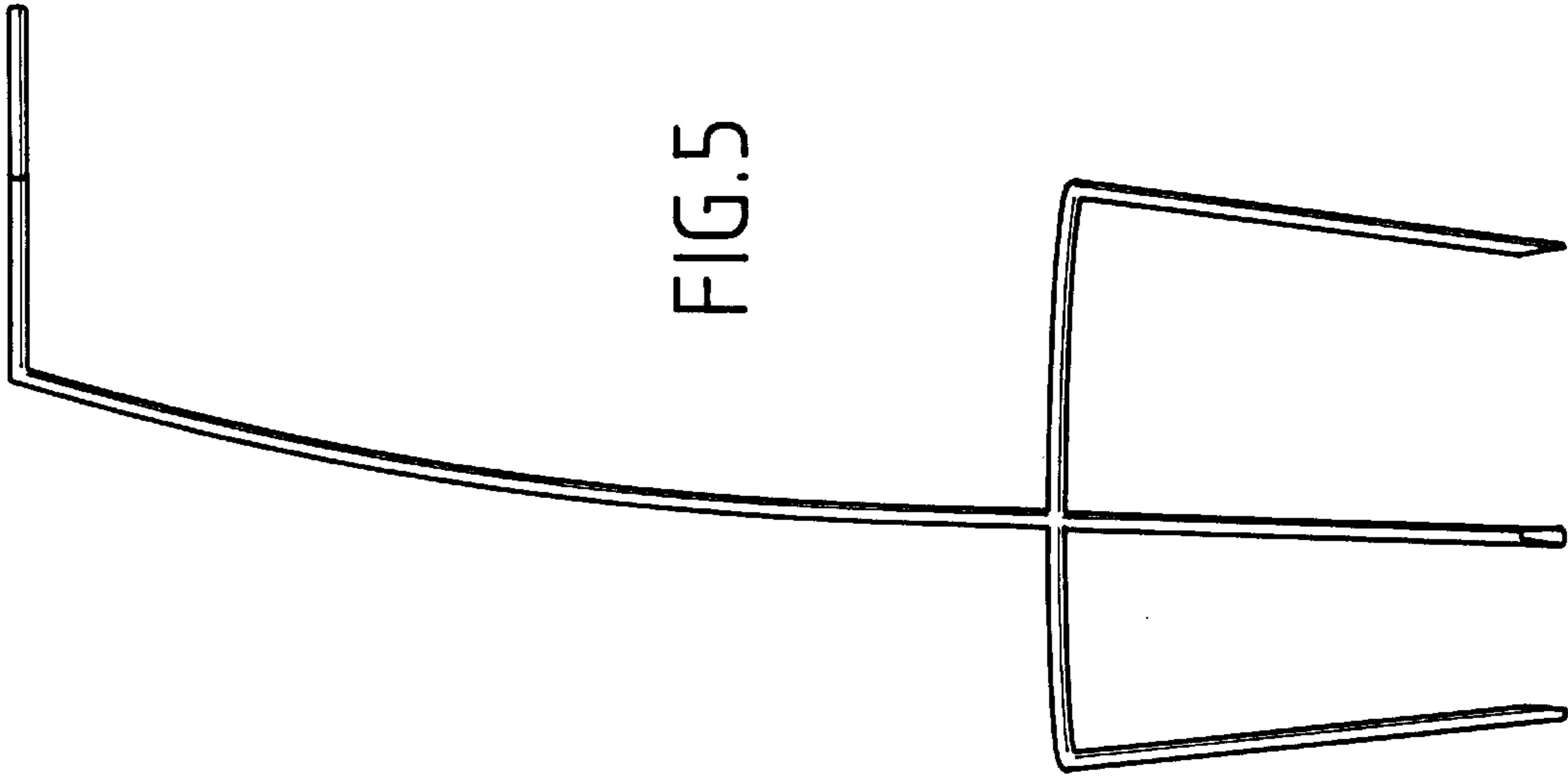


FIG. 5

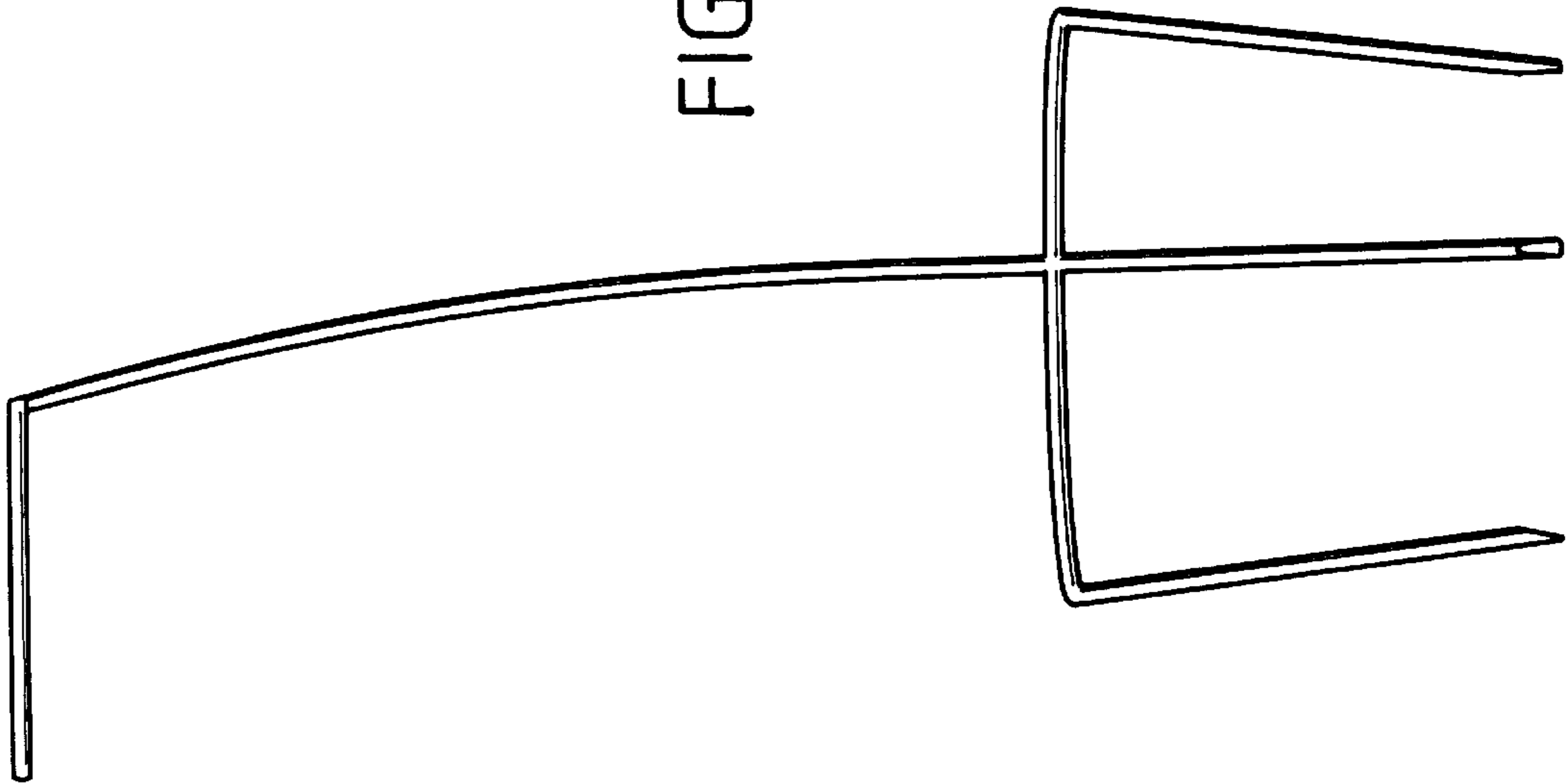


FIG. 4

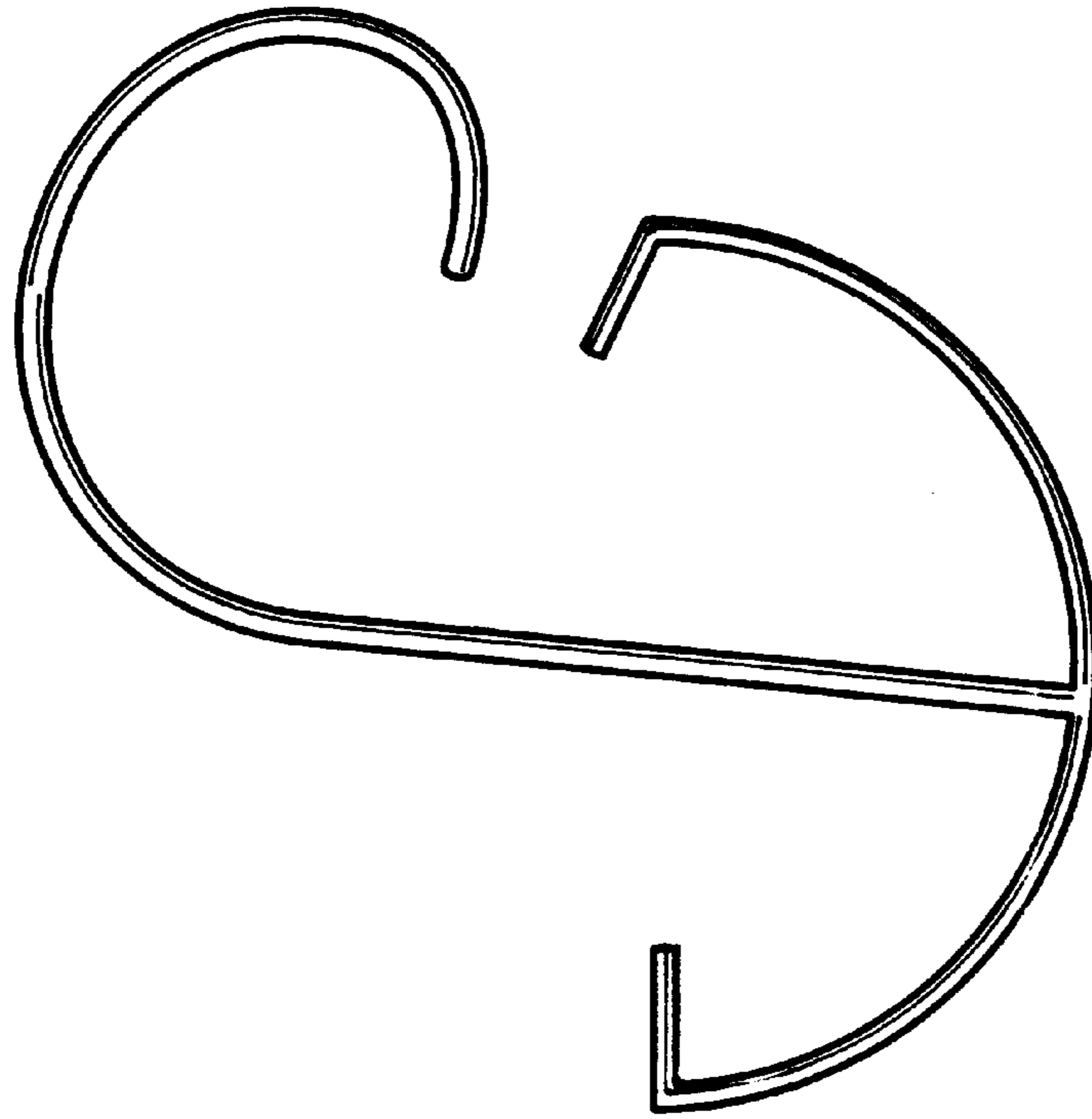


FIG. 7

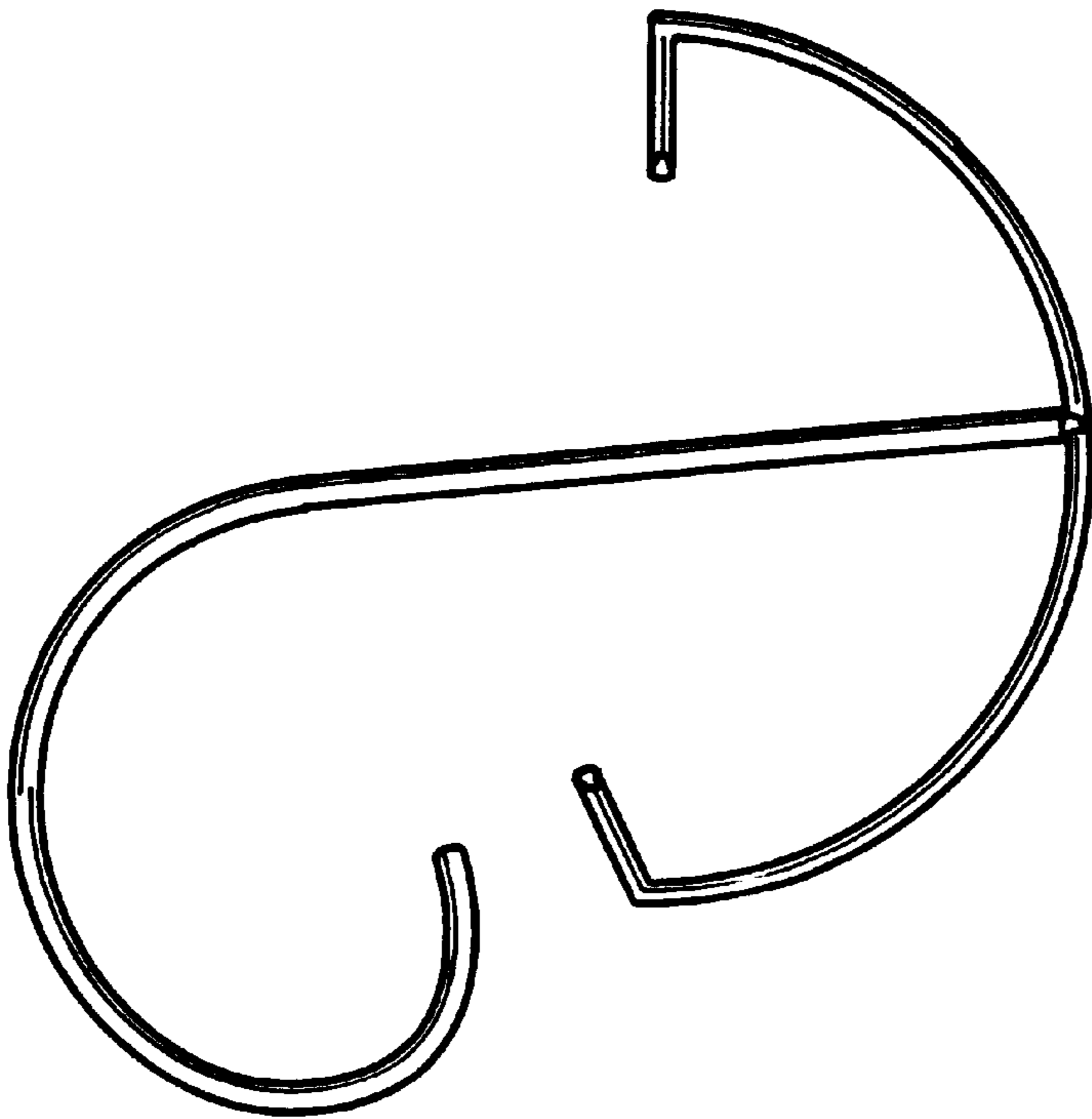


FIG. 6