



US00D435353S

United States Patent [19] Chan

[11] **Patent Number: Des. 435,353**

[45] **Date of Patent: ** Dec. 26, 2000**

[54] **MIRROR WITH LIGHT**

D. 346,699 5/1994 Greger D6/312
D. 425,314 5/2000 Au-Yeung D6/310

[75] Inventor: **Sik-Leung Chan**, Tsuen Wan, China

[73] Assignee: **C.C. & L Company Limited**, Tsuen Wan, China

[**] Term: **14 Years**

Primary Examiner—Janice E. Seeger
Attorney, Agent, or Firm—Alix, Yale & Ristas, LLP

[21] Appl. No.: **29/117,554**

[22] Filed: **Jan. 24, 2000**

[57] CLAIM

The ornamental design for a mirror with light, as shown and described.

[51] **LOC (7) Cl.** **06-07**

[52] **U.S. Cl.** **D6/308; D6/310**

[58] **Field of Search** D6/300–302, 308–314;
40/700, 709, 711, 714–716, 744, 745, 749,
752, 790, 798; 359/838, 872, 874, 876;
D26/56; 362/137

DESCRIPTION

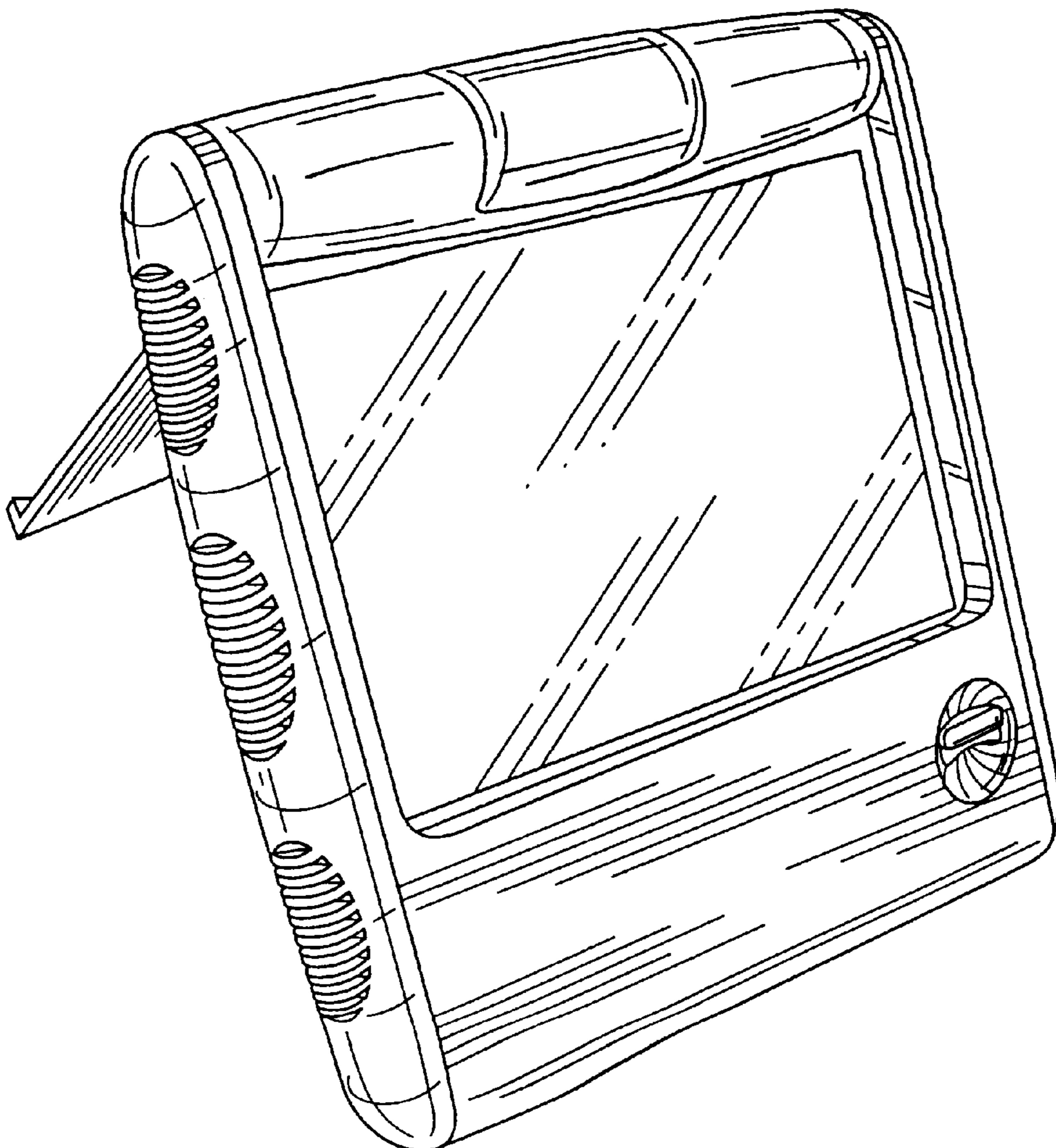
FIG. 1 is a front elevational view of a mirror with light showing my new design;
FIG. 2 is a rear elevational view thereof;
FIG. 3 is a side elevational view thereof, the opposite side elevational view thereof being substantially identical;
FIG. 4 is a top plan view thereof;
FIG. 5 is a bottom plan view thereof;
FIG. 6 is a perspective view thereof; and,
FIG. 7 is a perspective view thereof wherein the lid is in an open position.

[56] References Cited

U.S. PATENT DOCUMENTS

D. 283,086 3/1986 Weinhart D6/308
D. 283,853 5/1986 Wistrand D6/308

1 Claim, 3 Drawing Sheets



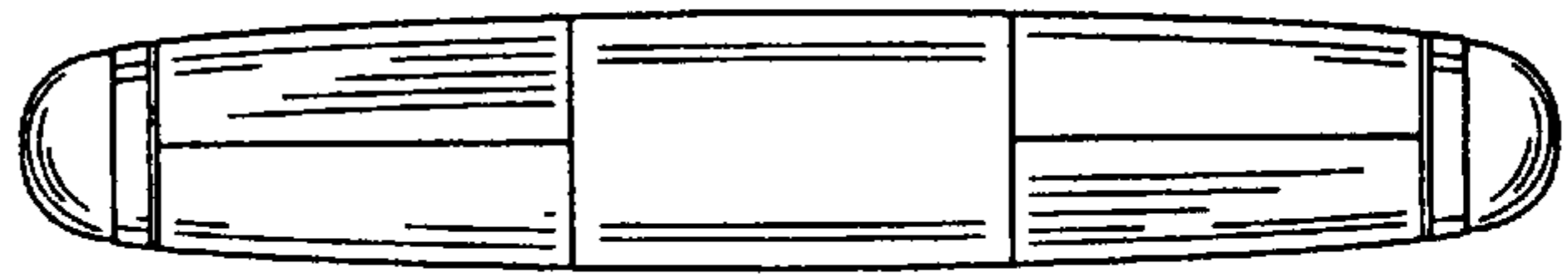


FIG. 4

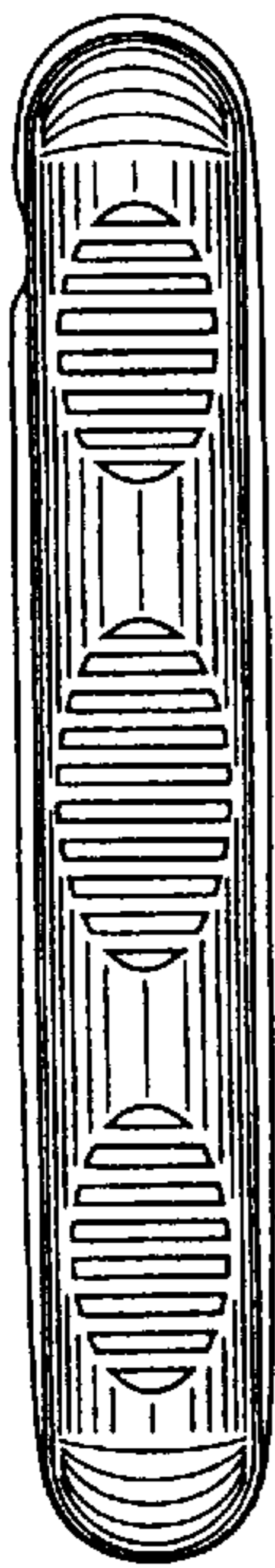


FIG. 3

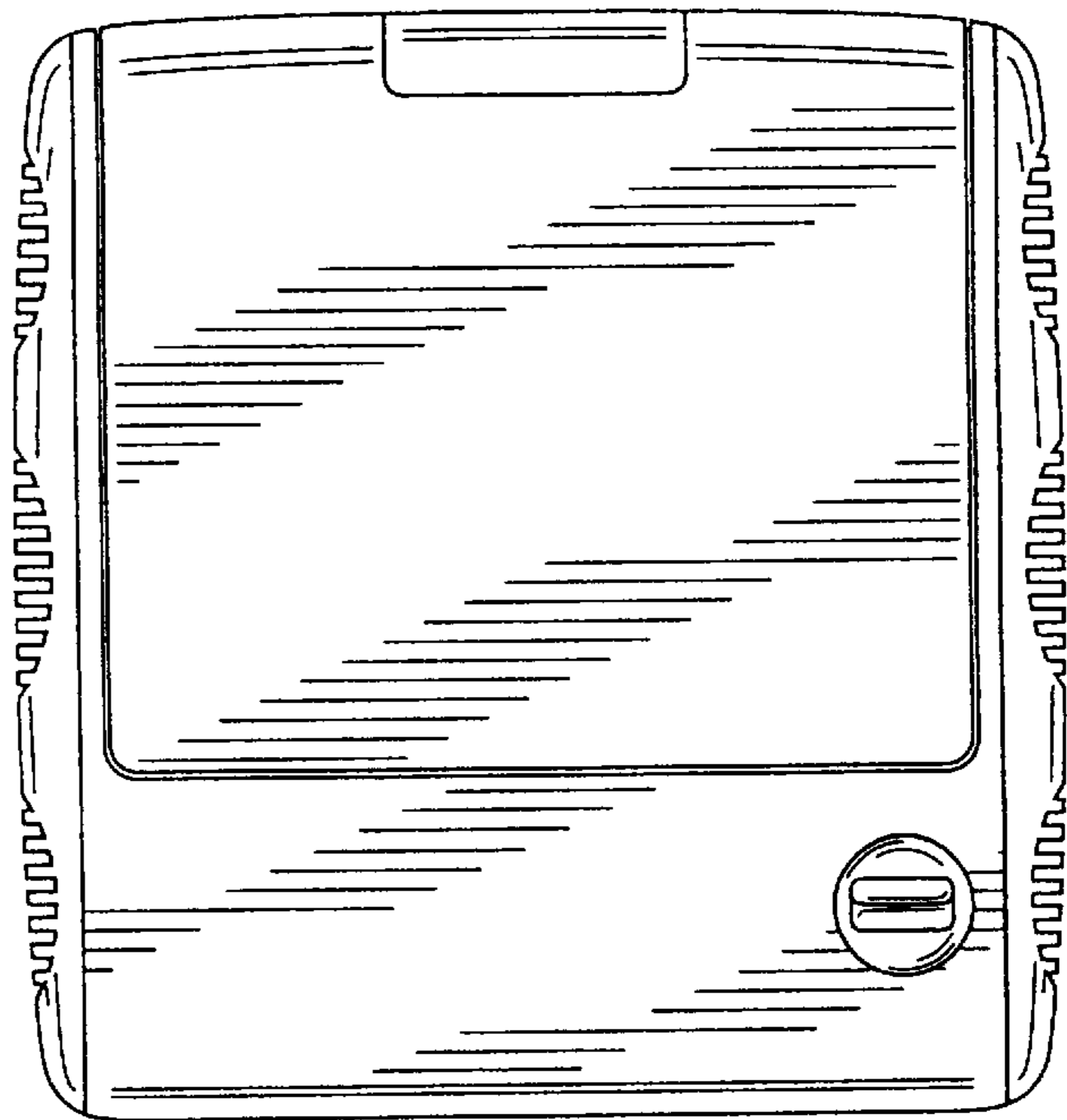


FIG. 1

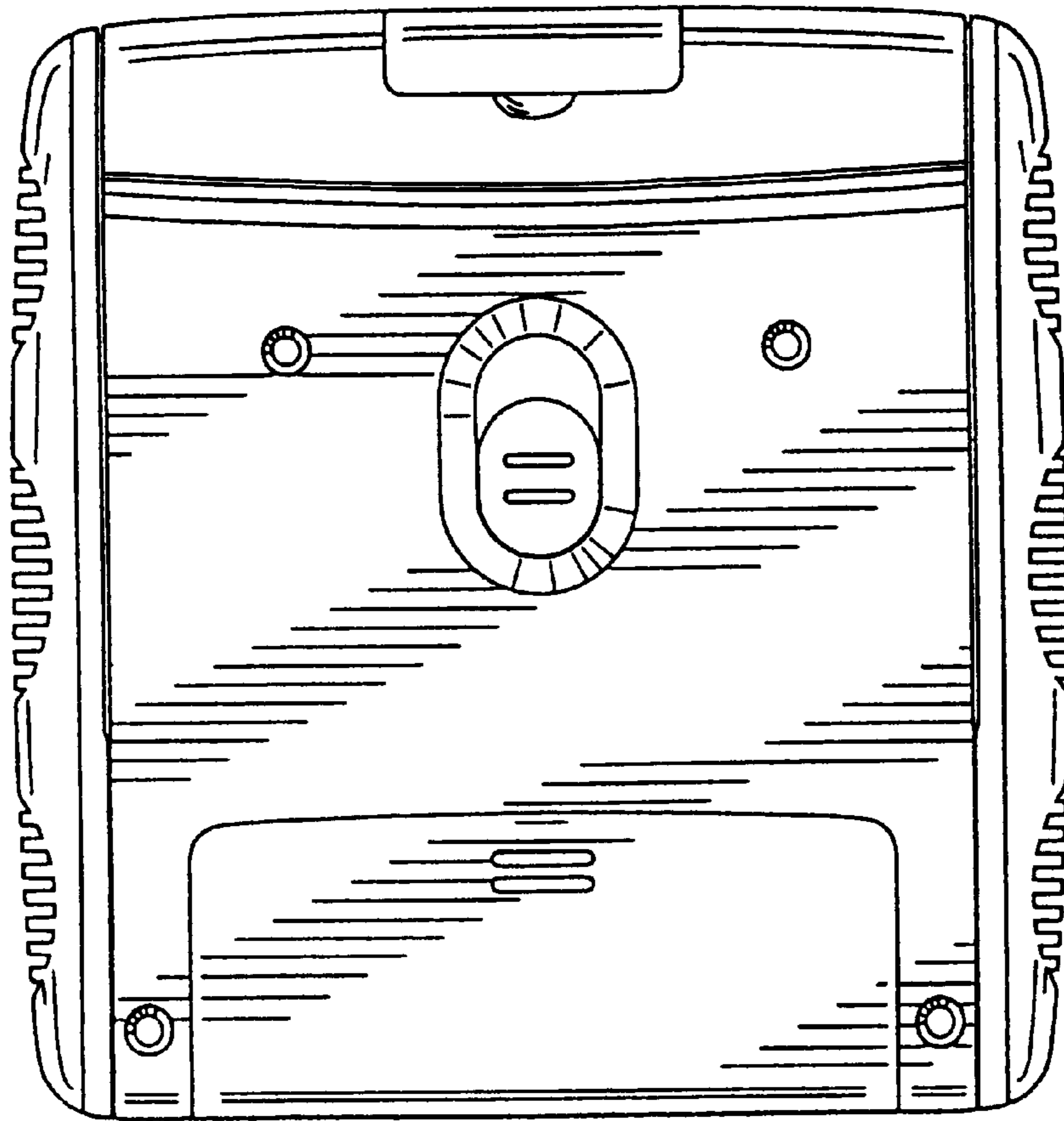


FIG. 2

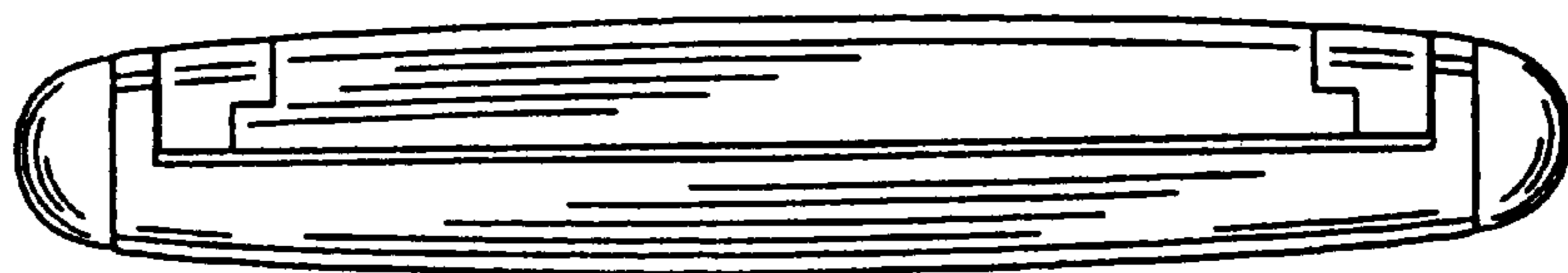


FIG. 5

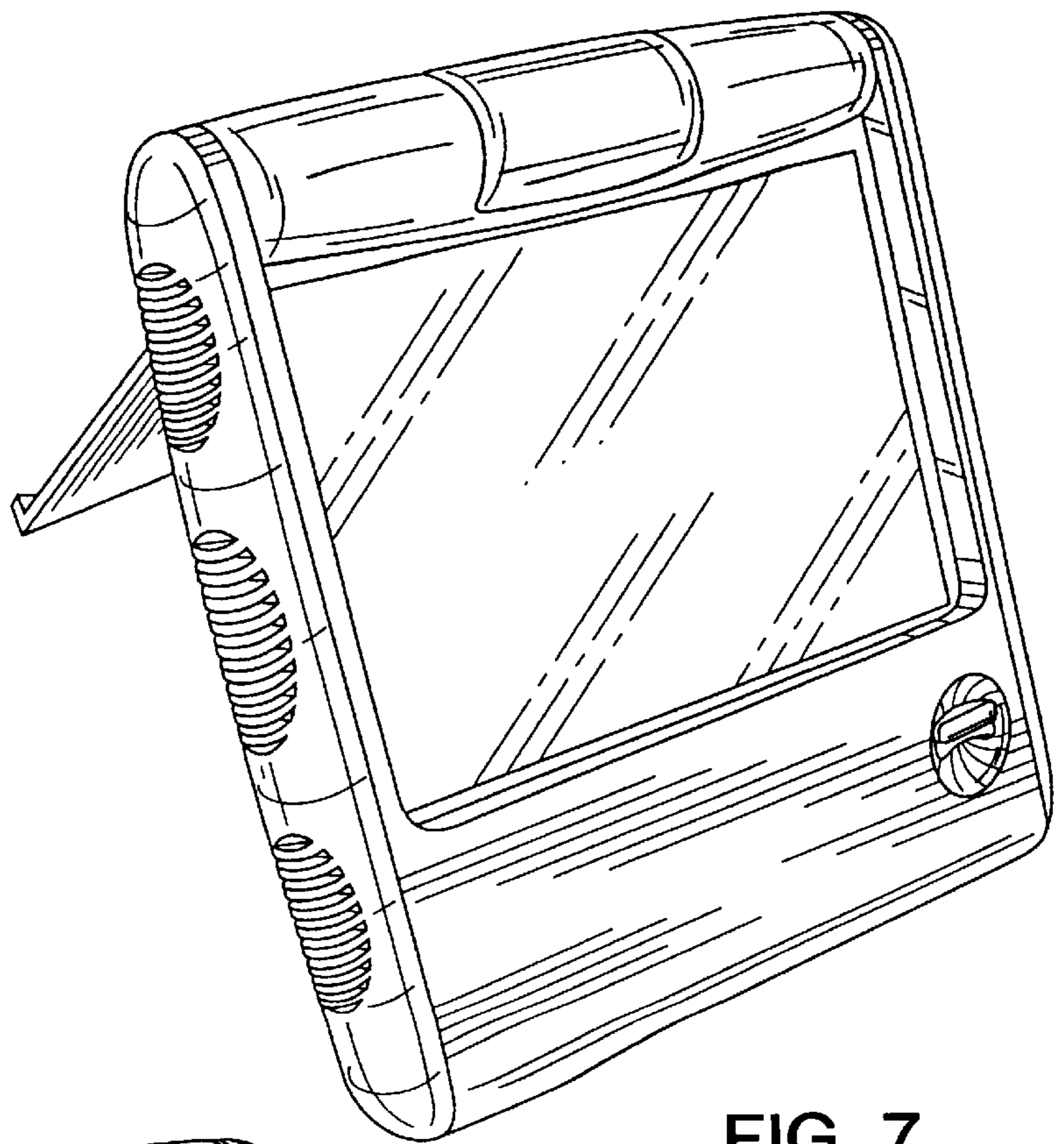


FIG. 7

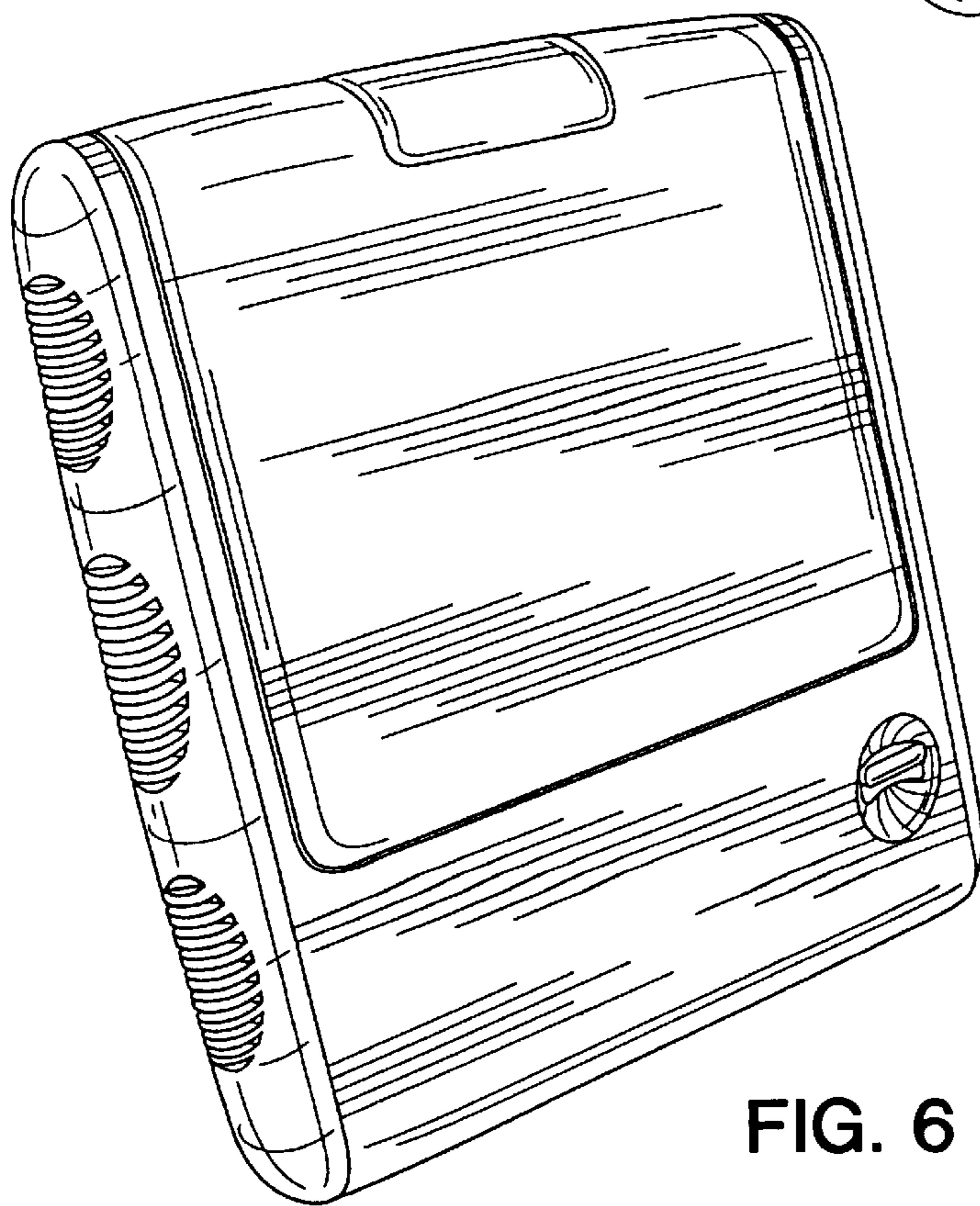


FIG. 6