



US00D435352S

# United States Patent [19] Chan

[11] **Patent Number: Des. 435,352**

[45] **Date of Patent: \*\* Dec. 26, 2000**

[54] **MIRROR WITH LIGHT**

[75] Inventor: **Sik-Leung Chan**, Tsuen Wan, China

[73] Assignee: **C.C. & L Company Limited**, Tsuen Wan, China

[\*\*] Term: **14 Years**

[21] Appl. No.: **29/113,170**

[22] Filed: **Oct. 29, 1999**

[51] **LOC (7) Cl.** ..... **06-07**

[52] **U.S. Cl.** ..... **D6/308; D6/310**

[58] **Field of Search** ..... D6/300-302, 308-314;  
40/700, 709, 711, 714-716, 744, 745, 749,  
752, 790, 798; 359/838, 872, 874, 876;  
D26/56; 362/137

[56] **References Cited**

**U.S. PATENT DOCUMENTS**

D. 283,086 3/1986 Weinhart ..... D6/308

D. 283,853 5/1986 Wistrand ..... D6/308  
D. 425,314 5/2000 Au-Yeung ..... D6/310

*Primary Examiner*—Janice E. Seeger  
*Attorney, Agent, or Firm*—Alix, Yale & Ristas, LLP

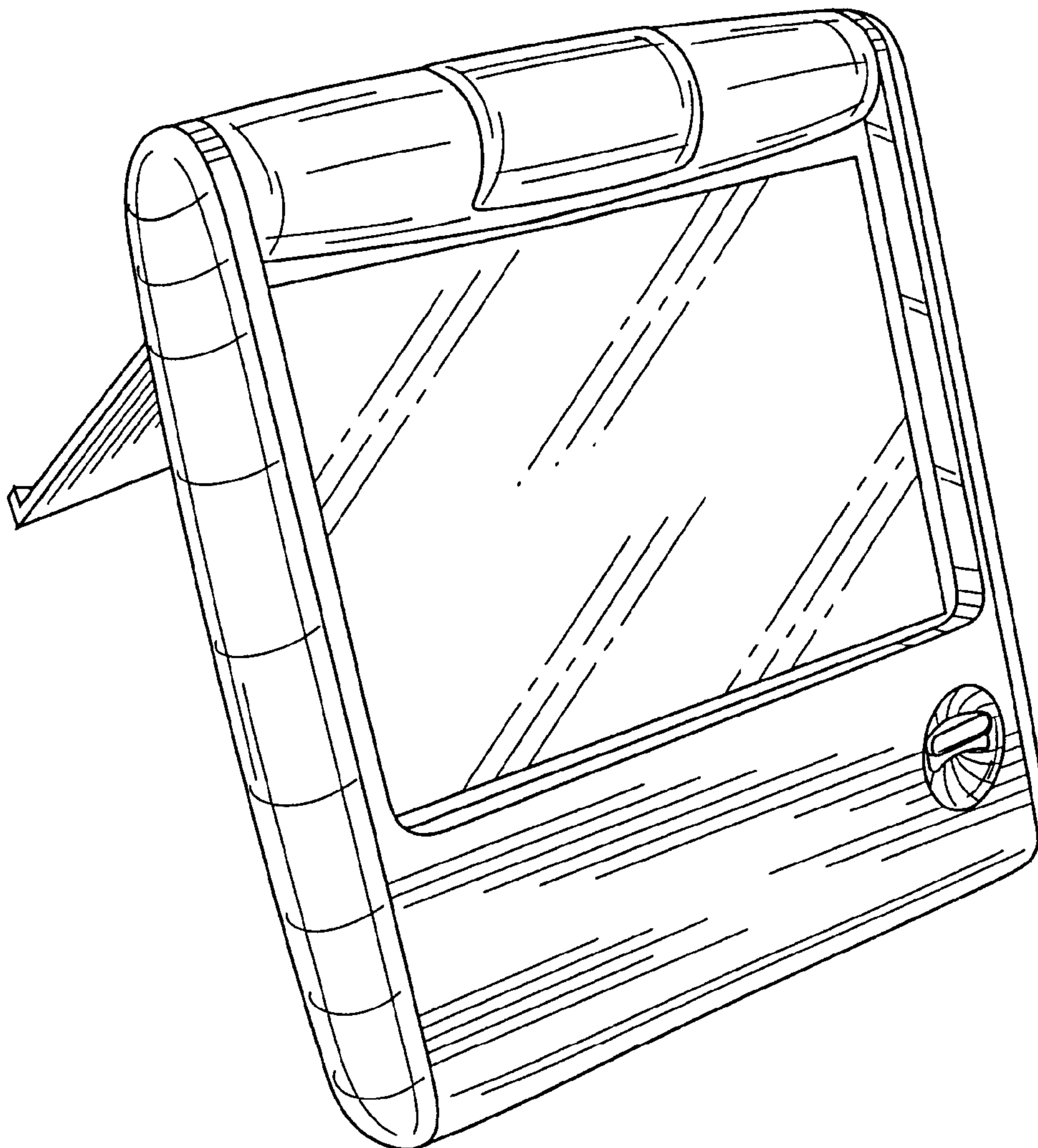
[57] **CLAIM**

The ornamental design for a mirror with light, as shown and described.

**DESCRIPTION**

FIG. 1 is a front elevational view of a mirror with light showing my new design;  
FIG. 2 is a rear elevational view thereof;  
FIG. 3 is a side elevational view thereof, the opposite side elevational view thereof being substantially identical;  
FIG. 4 is a top plan elevational view thereof;  
FIG. 5 is a bottom plan view thereof;  
FIG. 6 is a perspective view thereof; and,  
FIG. 7 is a perspective view thereof wherein the lid is in an open position.

**1 Claim, 3 Drawing Sheets**



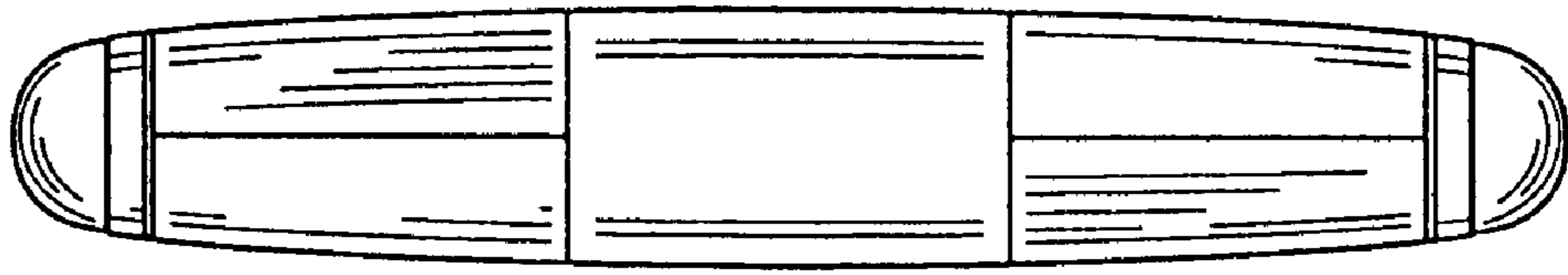


Fig 4

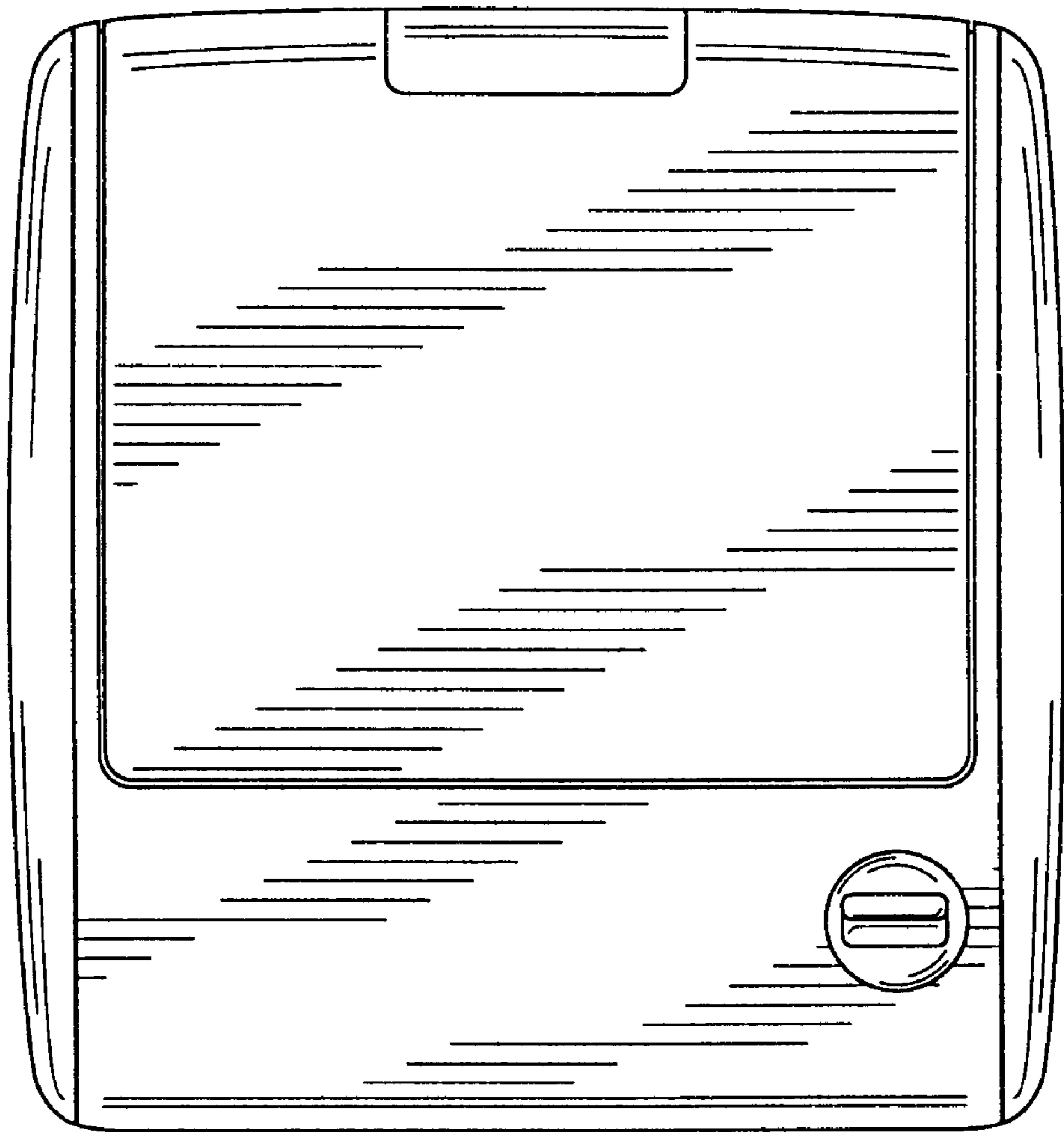


Fig 1

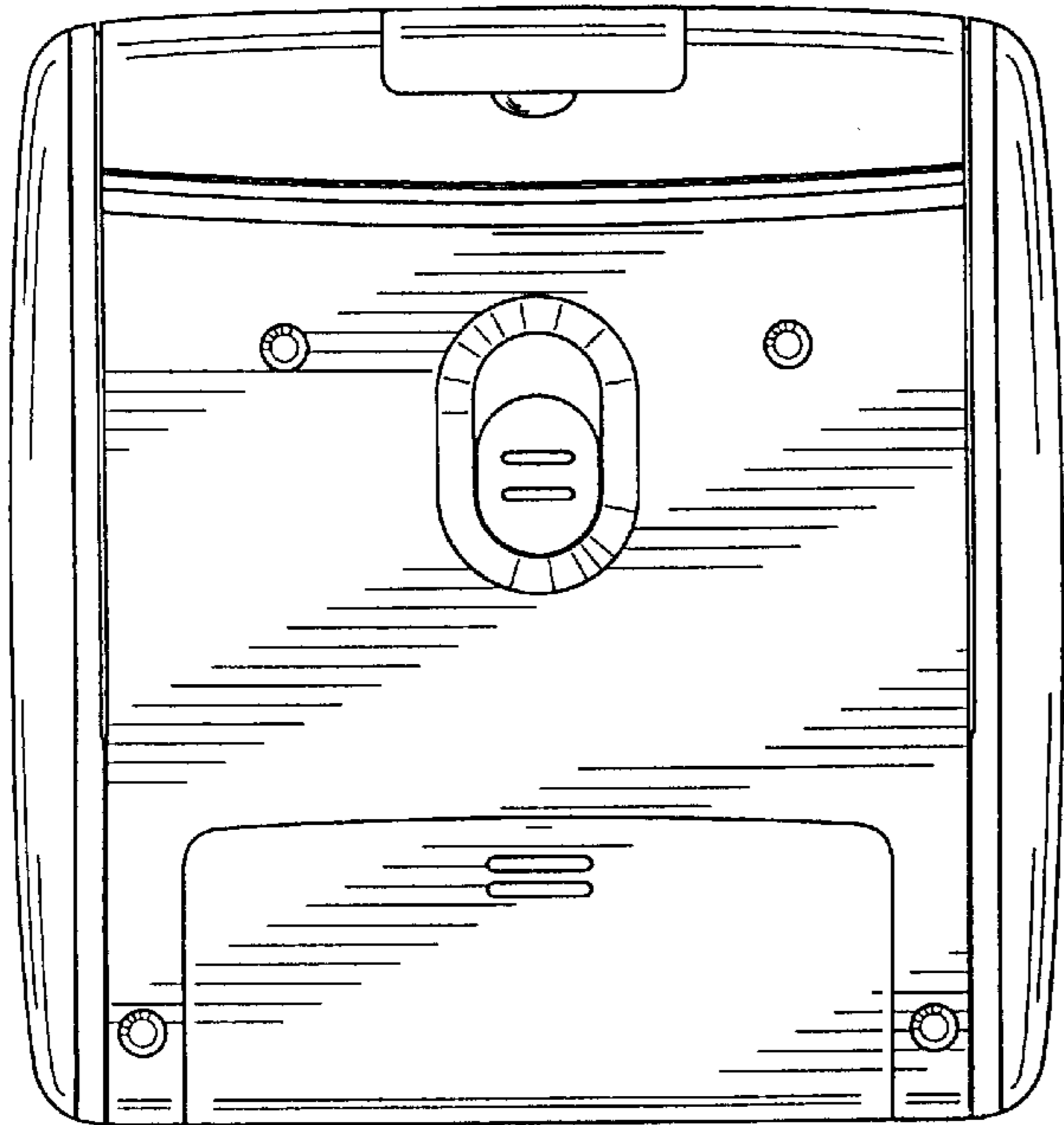


Fig 2



Fig 3

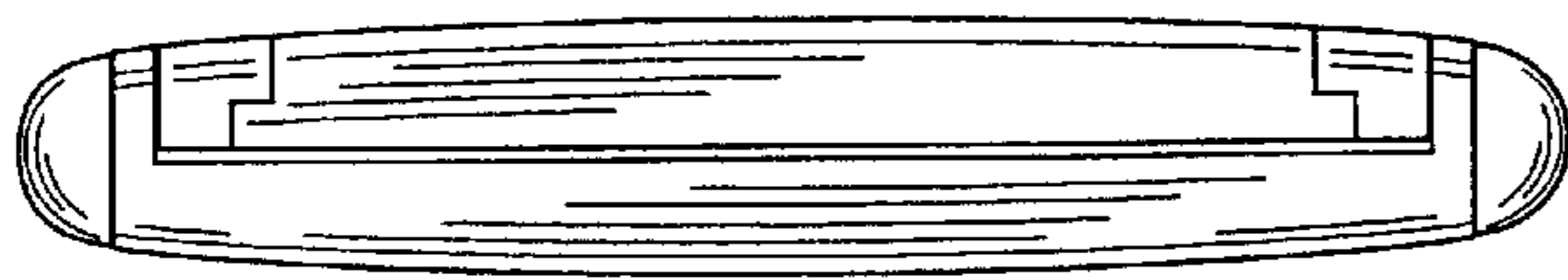


Fig 5

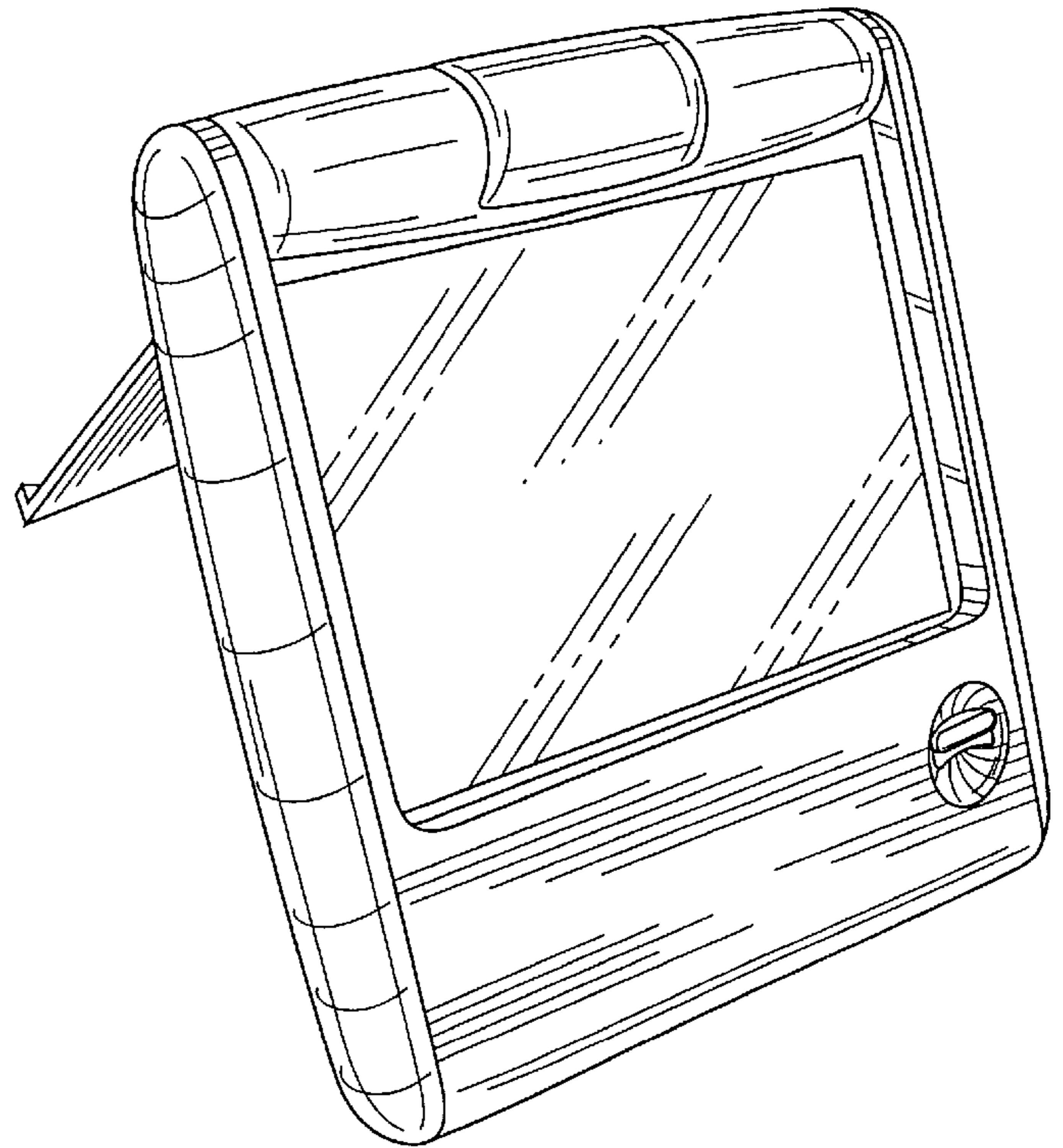


Fig 7



Fig 6