



US00D435341S

United States Patent [19] Li

[11] **Patent Number: Des. 435,341**

[45] **Date of Patent: ** Dec. 26, 2000**

[54] **STORAGE BOX**

[76] Inventor: **Chin-Chu Li**, No. 1-4, Wu Nan Rd.,
Wu Chi Chen, Taichung Hsien, Taiwan

[**] Term: **14 Years**

[21] Appl. No.: **29/117,500**

[22] Filed: **Jan. 28, 2000**

[51] **LOC (7) Cl. 03-01**

[52] **U.S. Cl. D3/276**

[58] **Field of Search** D3/272, 273, 276,
D3/281-294, 302; D9/420, 423, 424; 220/1.5,
4.27, 23.83, 23.6; 190/110, 111, 112, 113

[56] **References Cited**

U.S. PATENT DOCUMENTS

D. 202,937	11/1965	Foshee	D9/420
D. 219,085	10/1970	Moore	D9/420
D. 235,454	6/1975	Lindow, Jr.	D9/424
D. 338,329	8/1993	Cornwall	D9/424
D. 399,737	10/1998	Zuhlke, Jr. et al.	D9/423
5,042,674	8/1991	Ramsay	220/4.27

Primary Examiner—Raphael Barkai
Attorney, Agent, or Firm—Rosenberg, Klein & Lee

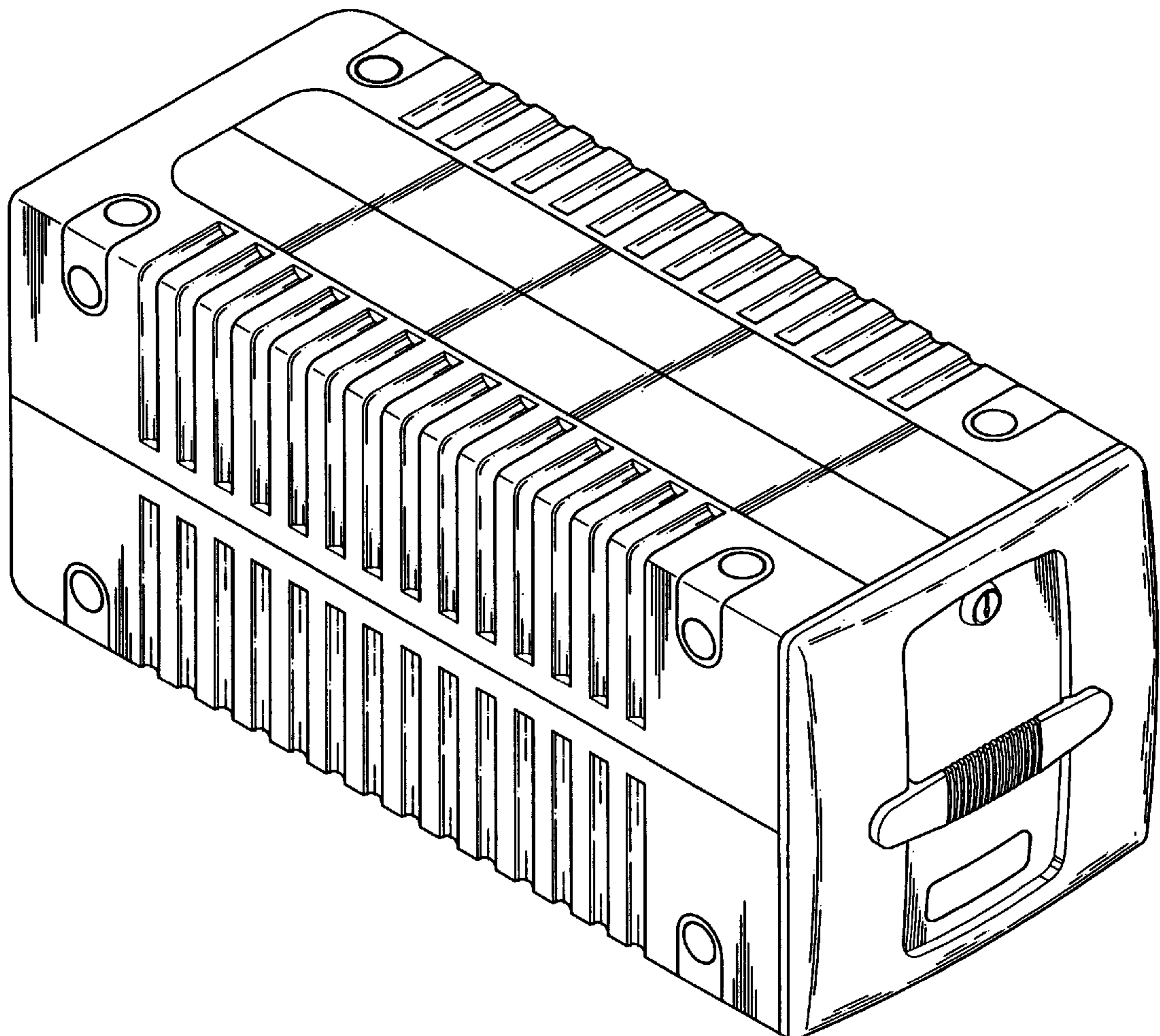
[57] **CLAIM**

The ornamental design for a storage box, as shown and described.

DESCRIPTION

FIG. 1 is the perspective view of a storage box showing my new design;
FIG. 2 is the front view thereof;
FIG. 3 is the rear view thereof;
FIG. 4 is the right side view thereof (the left side is same as right side view);
FIG. 5 is the top view thereof; and
FIG. 6 is the bottom view thereof;
FIG. 7 shows two storage boxes in transverse juxta position; and,
FIG. 8 shows two storage boxes in longitudinal juxta position.
The broken lines shown in FIGS. 7 and 8 are for illustrative purposes only and form no part of the claimed design.

1 Claim, 8 Drawing Sheets



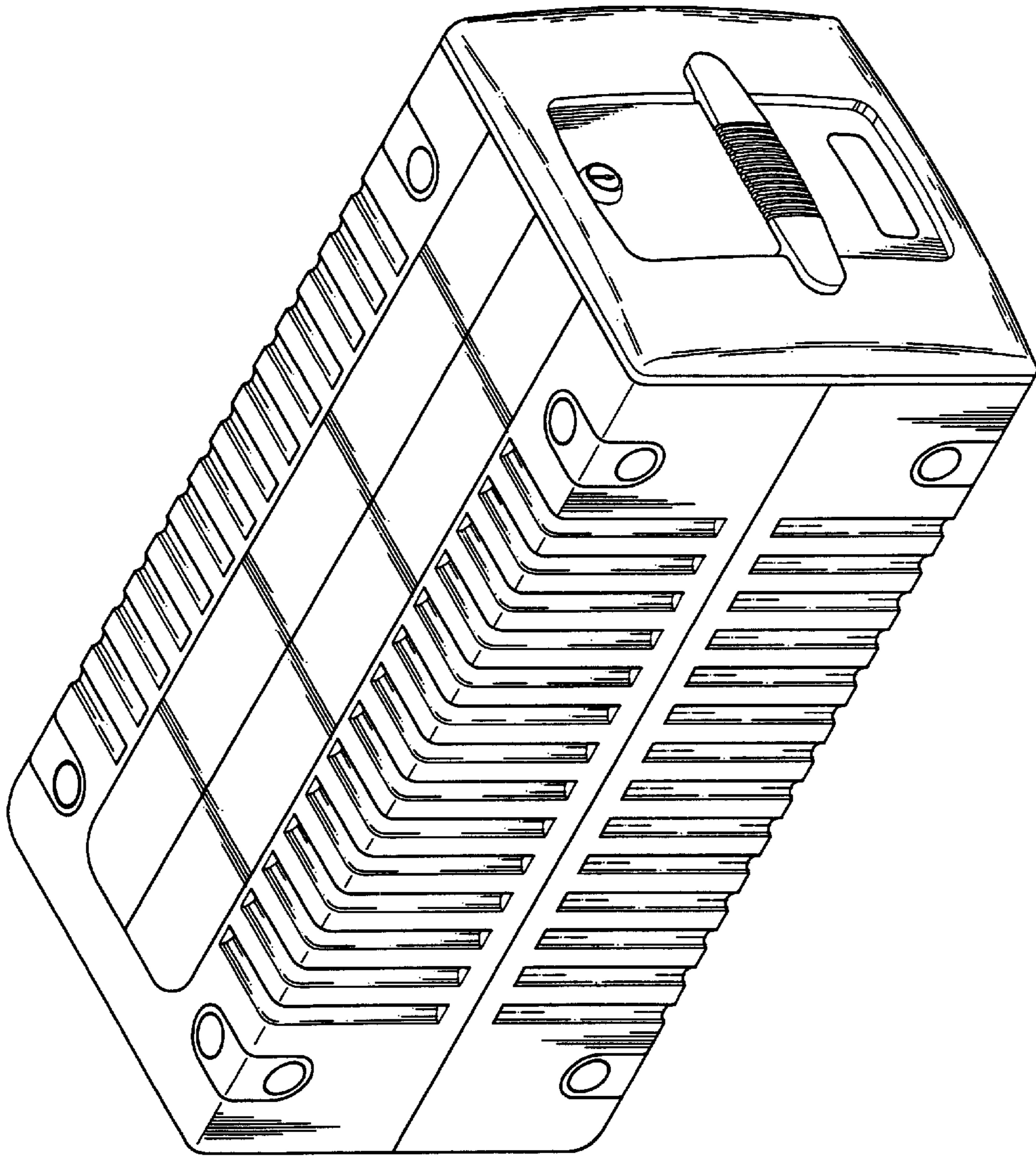


FIG. 1

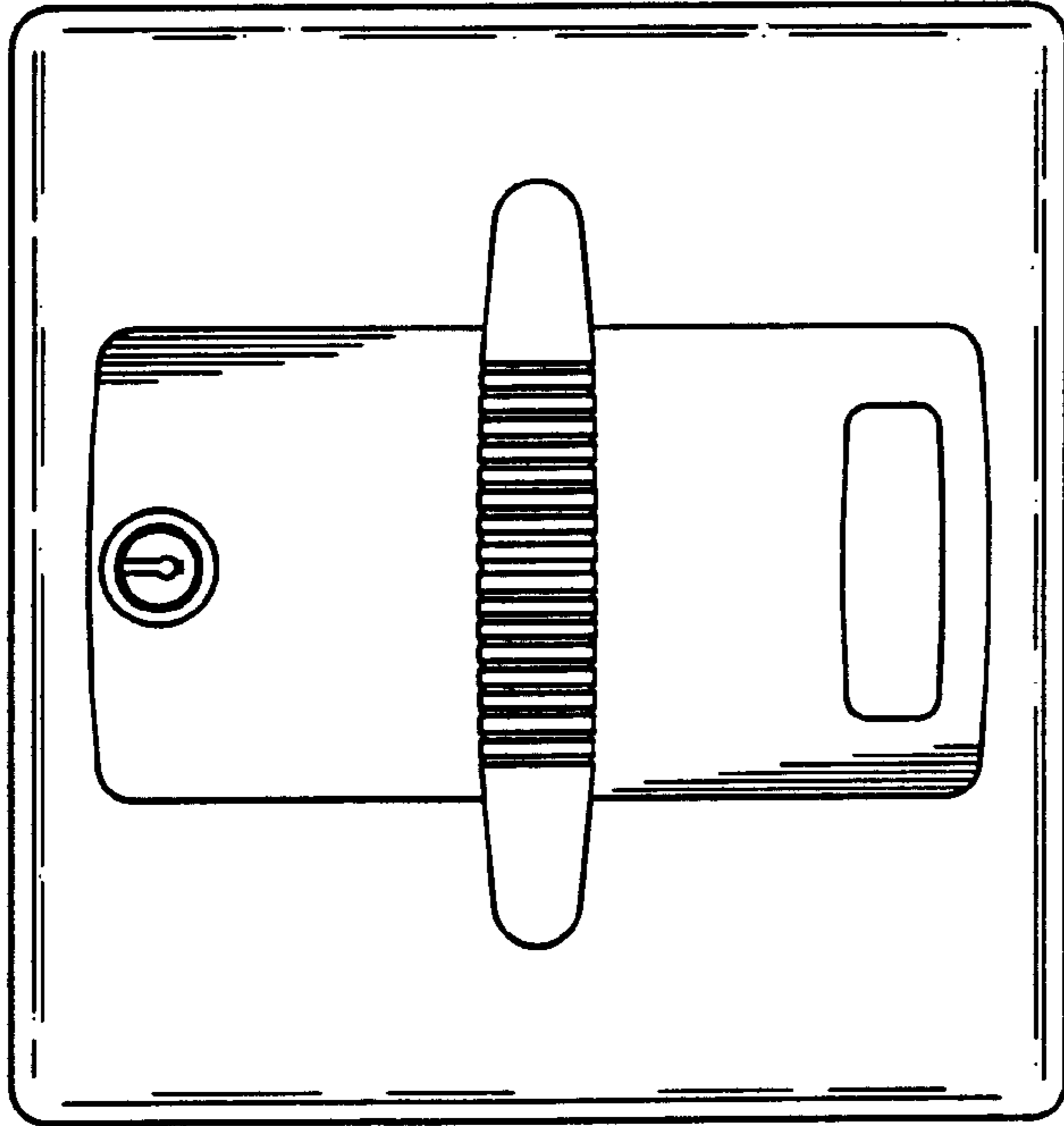


FIG. 2

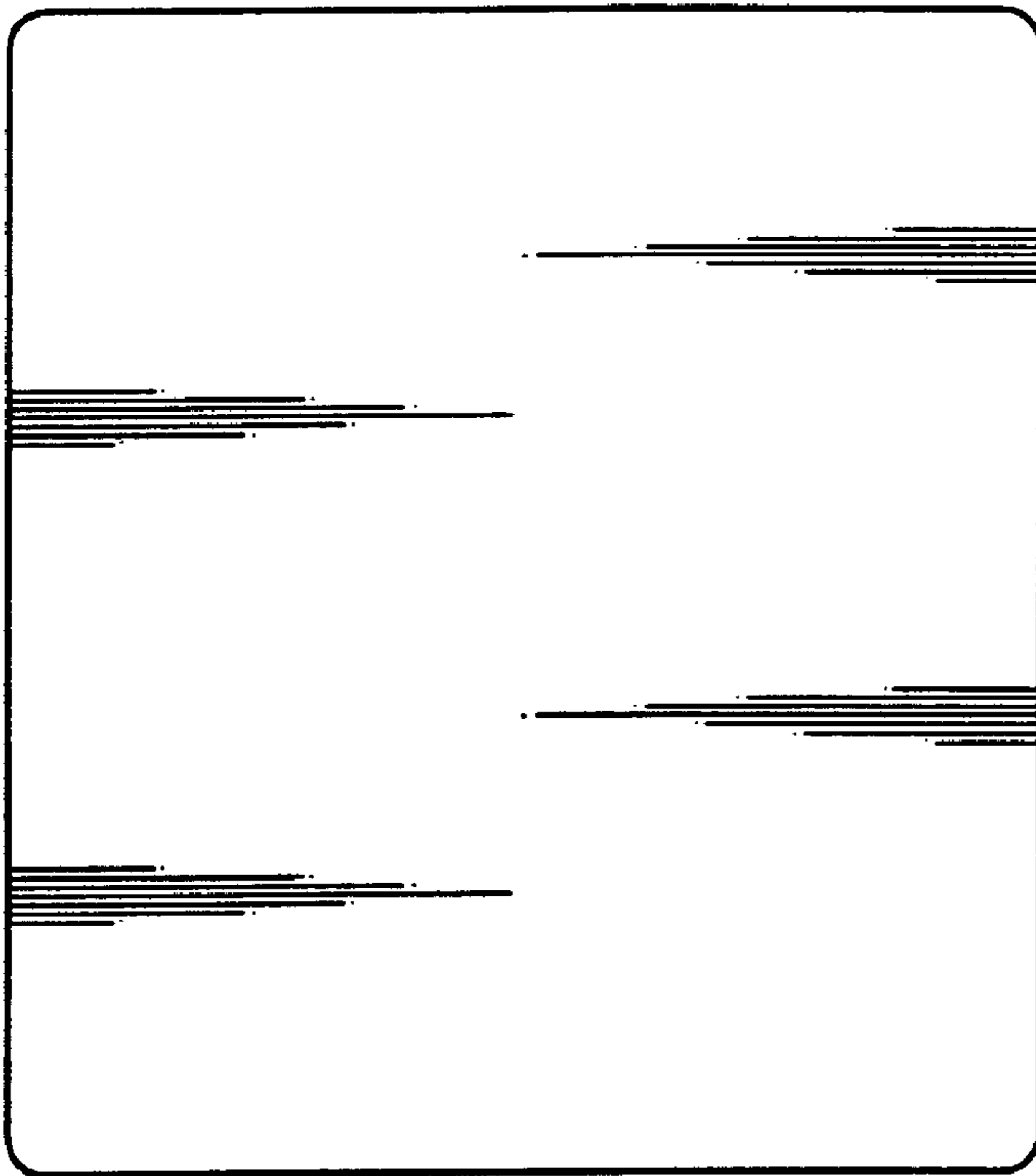


FIG. 3

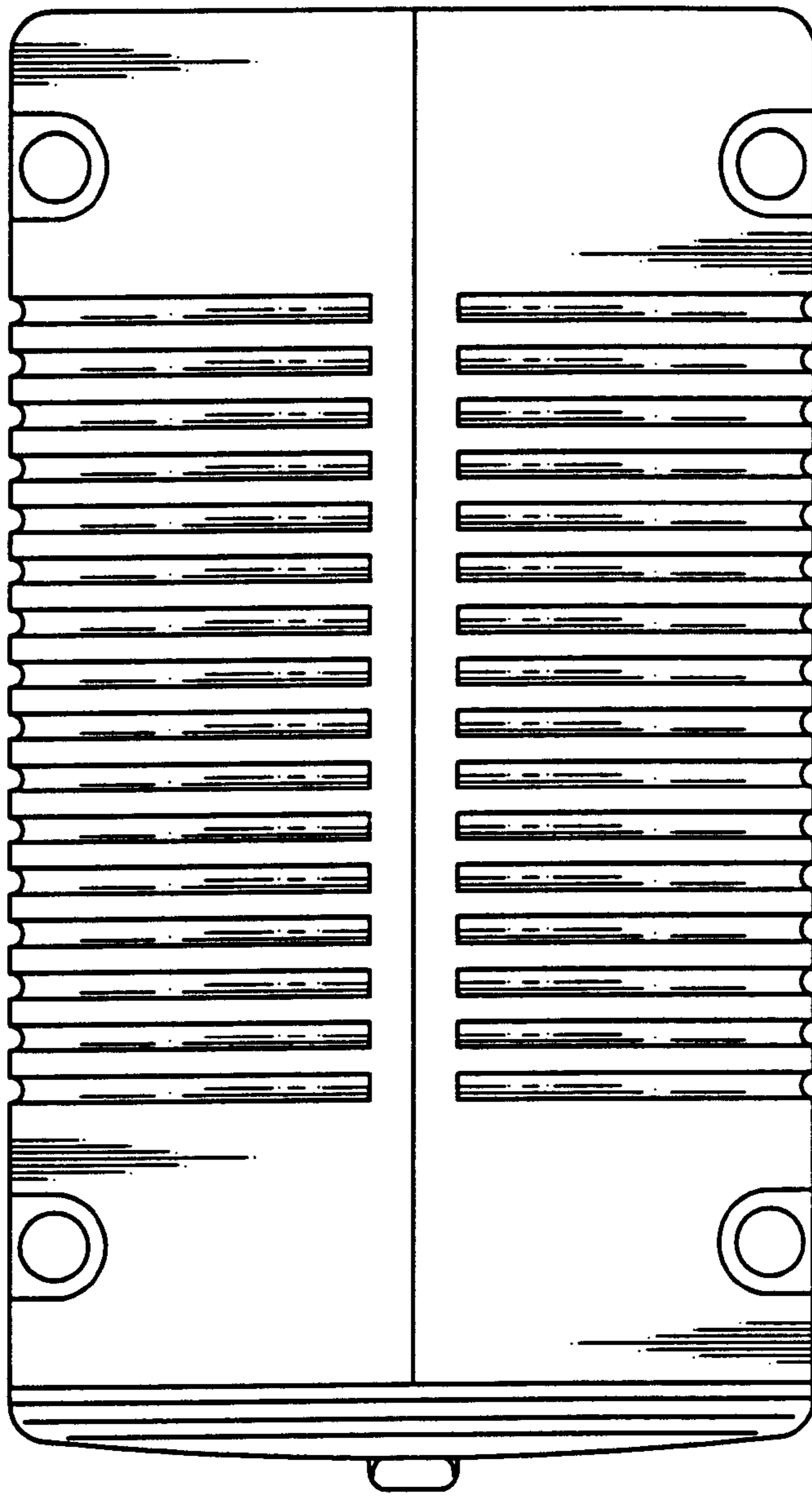


FIG. 4

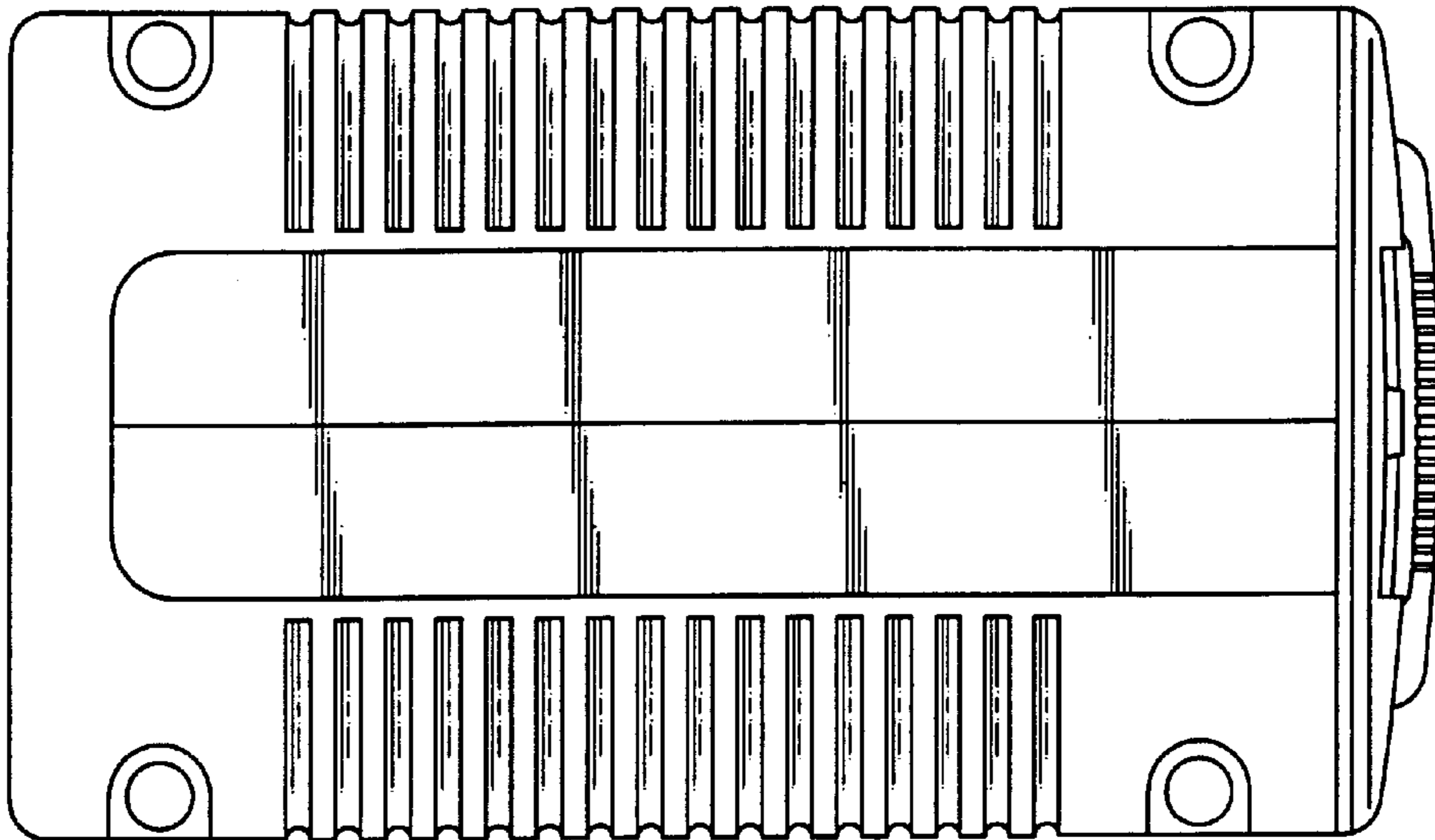


FIG. 5

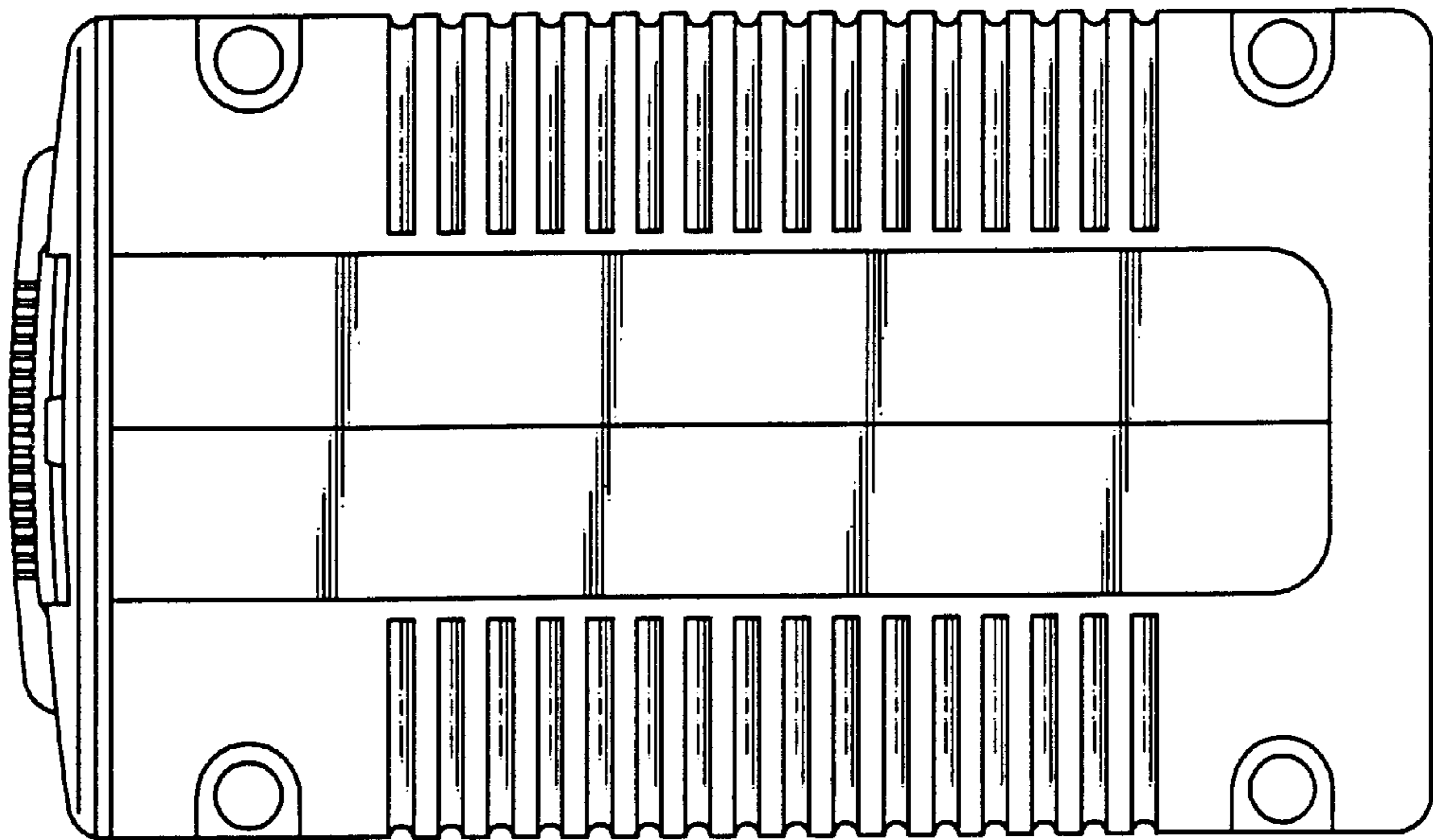


FIG. 6

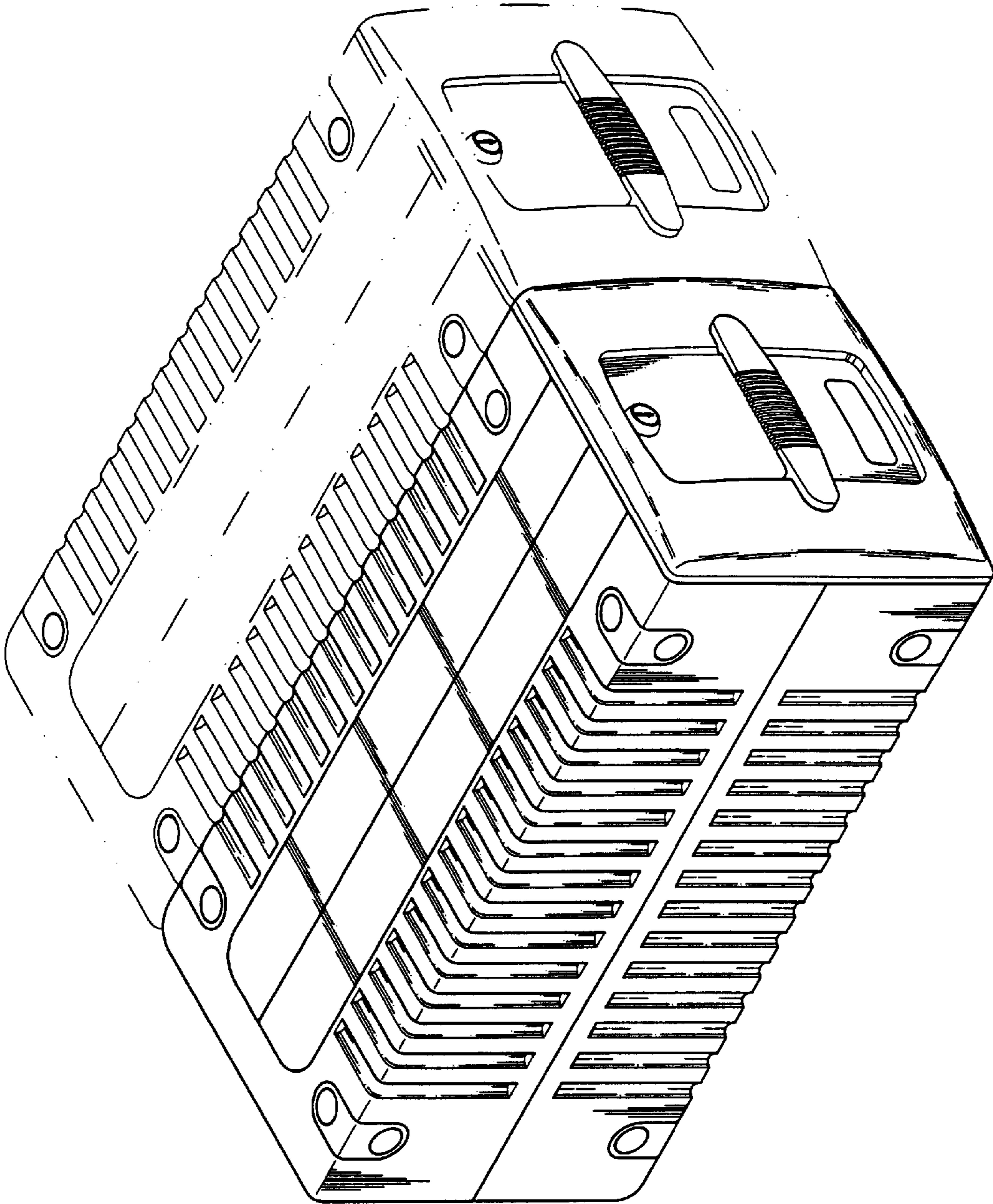


FIG. 7

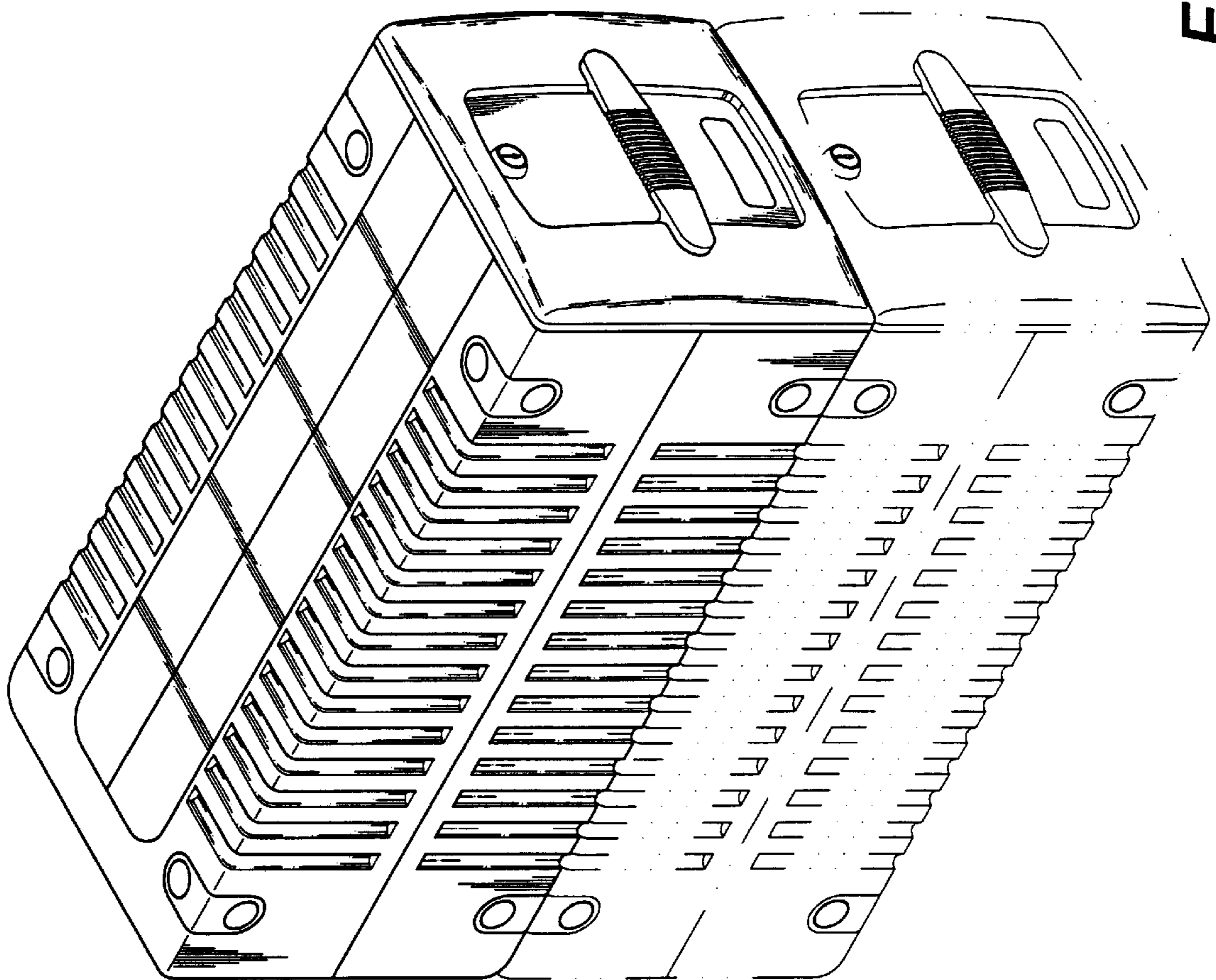


FIG. 8