



US00D435338S

# United States Patent [19] DiLorenzo

[11] Patent Number: **Des. 435,338**

[45] Date of Patent: **\*\* Dec. 26, 2000**

[54] **THIGH MOUNTABLE POUCH**

[76] Inventor: **Myriam DiLorenzo**, 7 Warner La.,  
Lake Ronkonkoma, N.Y. 11779

[\*\*] Term: **14 Years**

[21] Appl. No.: **29/118,323**

[22] Filed: **Feb. 7, 2000**

[51] **LOC (7) Cl.** ..... **03-01**

[52] **U.S. Cl.** ..... **D3/226**

[58] **Field of Search** ..... D3/226, 215, 224,  
D3/232, 233, 234, 253, 228; 224/240, 222,  
219, 267, 901, 904

[56] **References Cited**

**U.S. PATENT DOCUMENTS**

315,303	4/1885	Lambert	.....	224/240
D. 367,356	2/1996	Brown, Jr.	.....	D3/226
D. 399,054	10/1998	Garrison	.....	D3/226
D. 417,072	11/1999	Reinhart	.....	D3/226
3,212,690	10/1965	Green	.....	224/26
4,303,187	12/1981	Berman	.....	224/222

4,356,943	11/1982	Berman	.....	224/222
4,848,624	7/1989	Clem	.....	224/222
4,953,767	9/1990	Bennett	.....	224/192
5,409,153	4/1995	Ristich	.....	224/253
5,465,889	11/1995	Smith	.....	224/224

*Primary Examiner*—Louis S. Zarfes  
*Assistant Examiner*—Catherine R. Oliver  
*Attorney, Agent, or Firm*—Goldstein & Canino

[57] **CLAIM**

The ornamental design for a thigh mountable pouch, as shown and described.

**DESCRIPTION**

FIG. 1 is a front elevational view of a thigh mountable pouch.

FIG. 2 is a rear elevational view thereof.

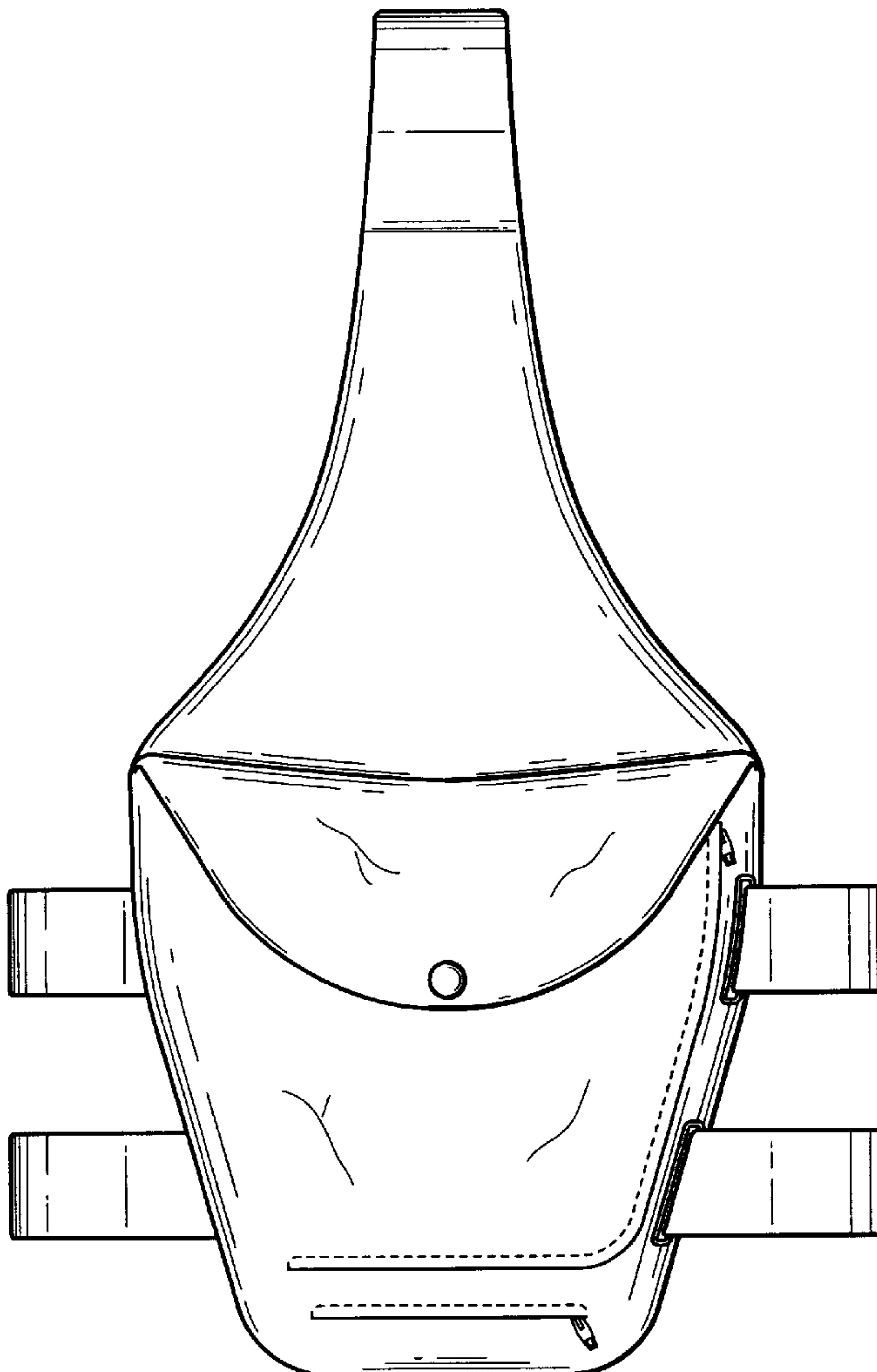
FIG. 3 is a right side elevational view thereof.

FIG. 4 is a left side elevational view thereof.

FIG. 5 is a top plan view of the thigh mountable pouch; and,

FIG. 6 is a bottom plan view thereof.

**1 Claim, 3 Drawing Sheets**



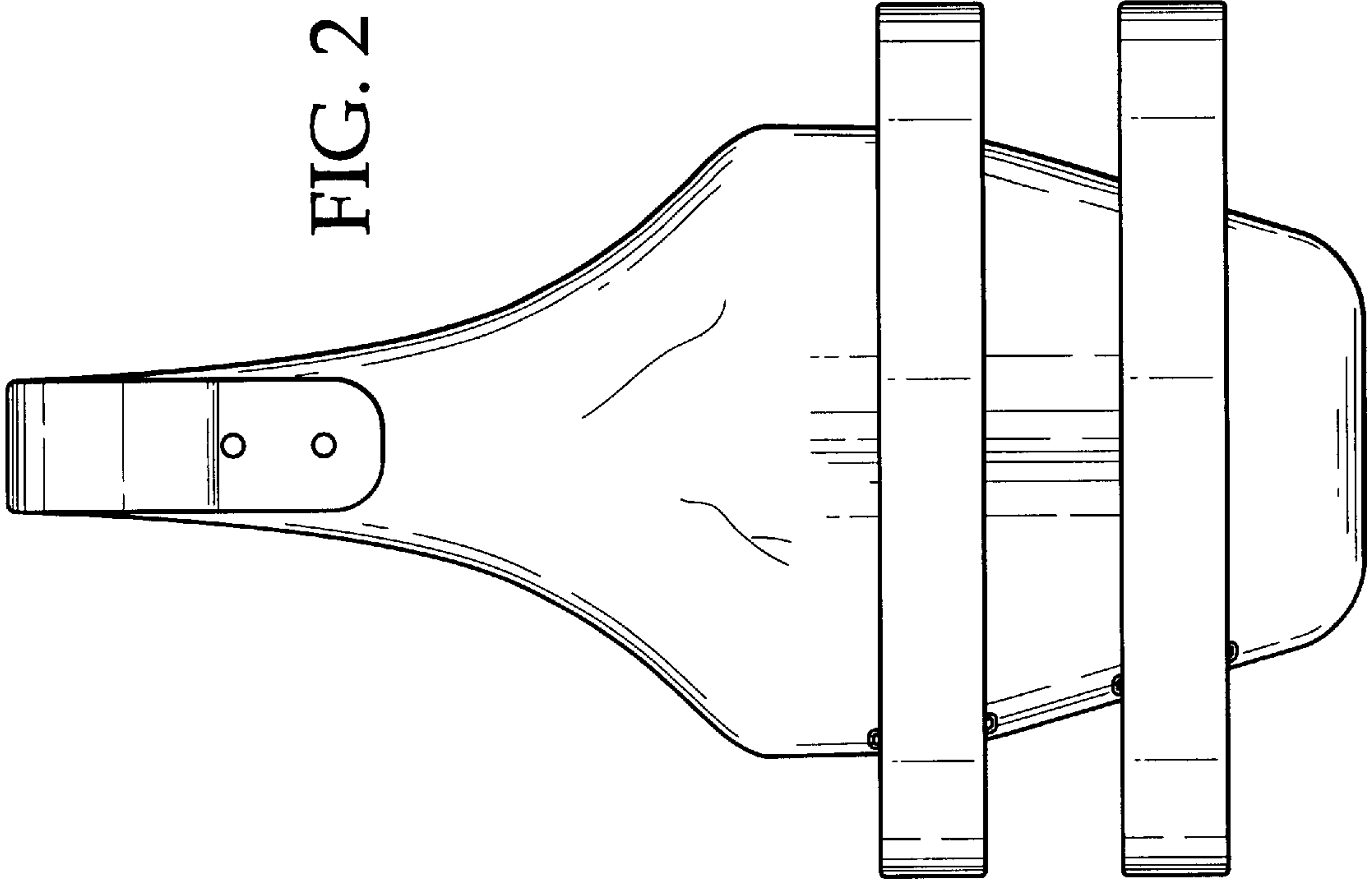


FIG. 2

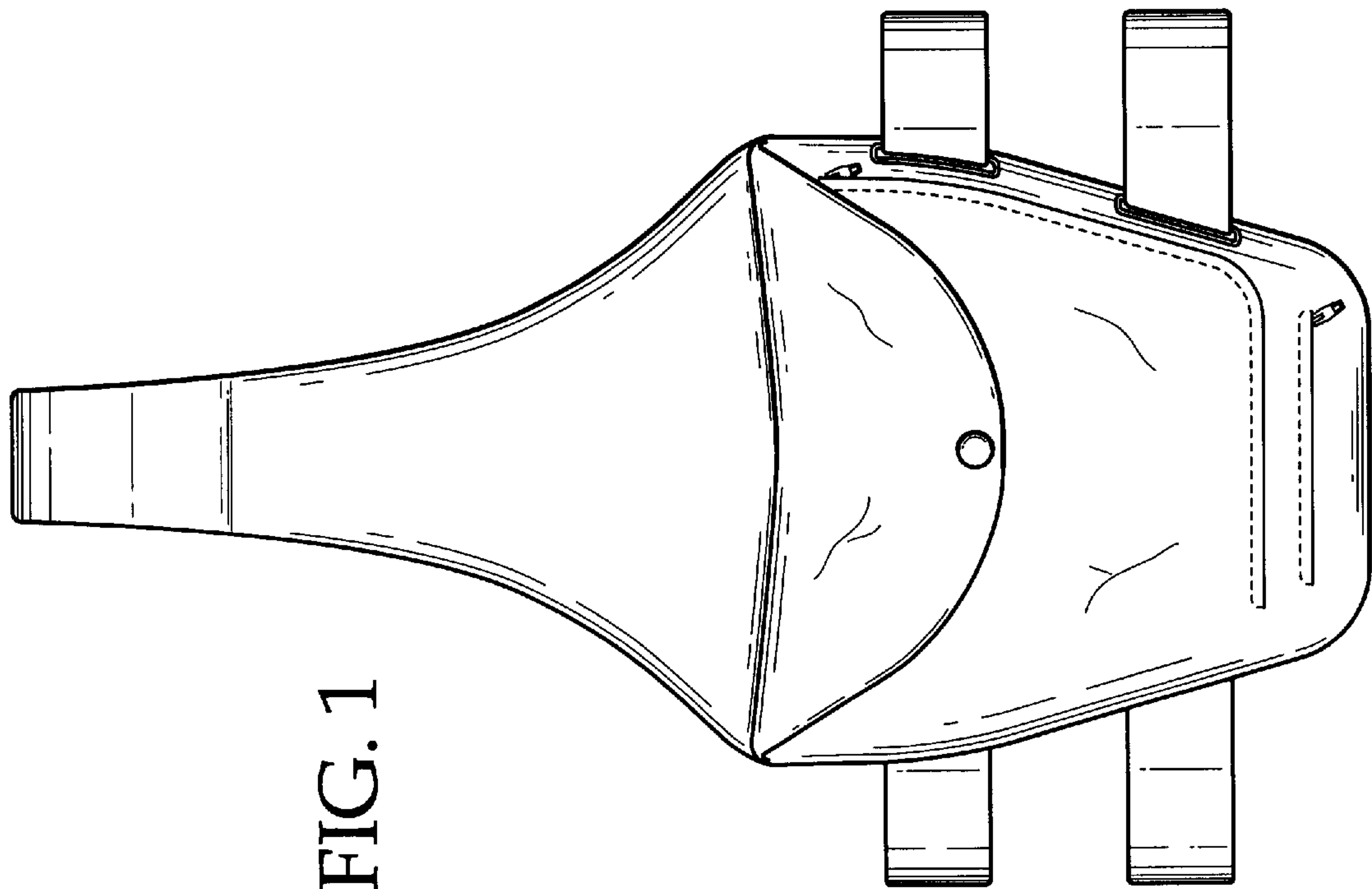


FIG. 1

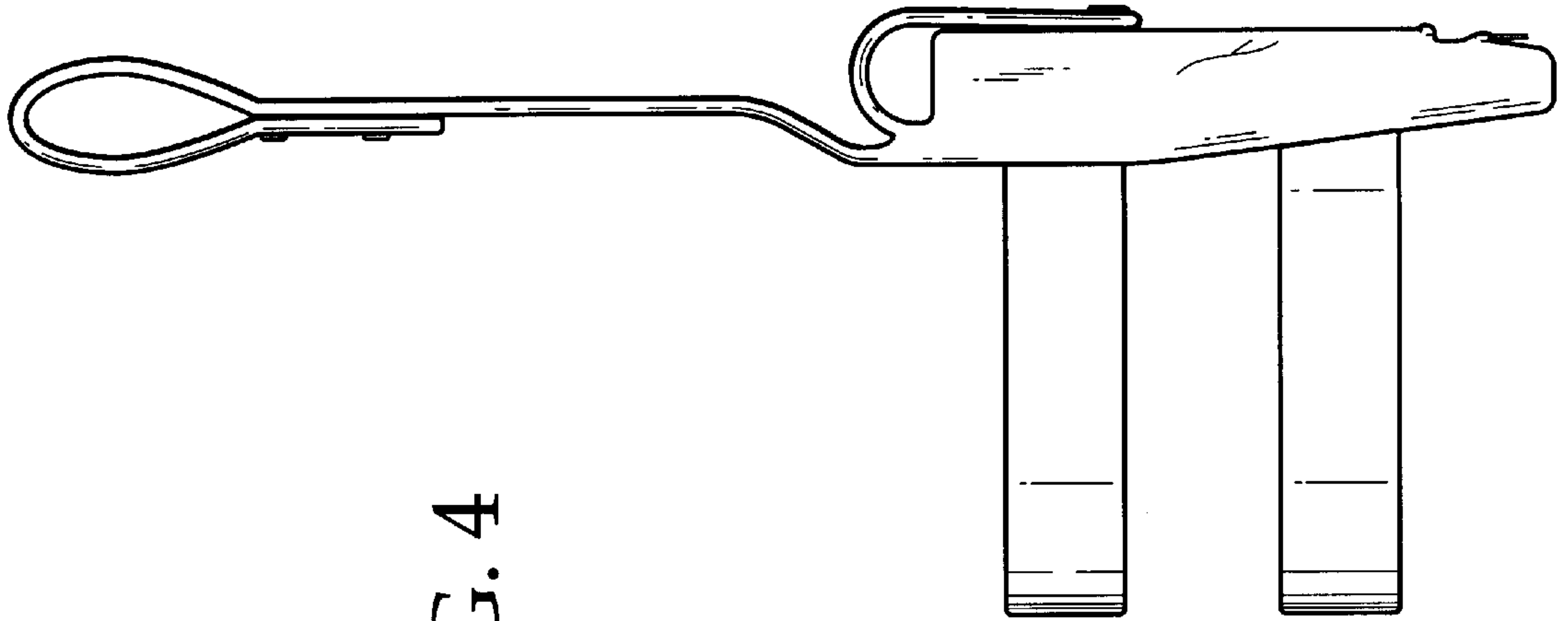


FIG. 4

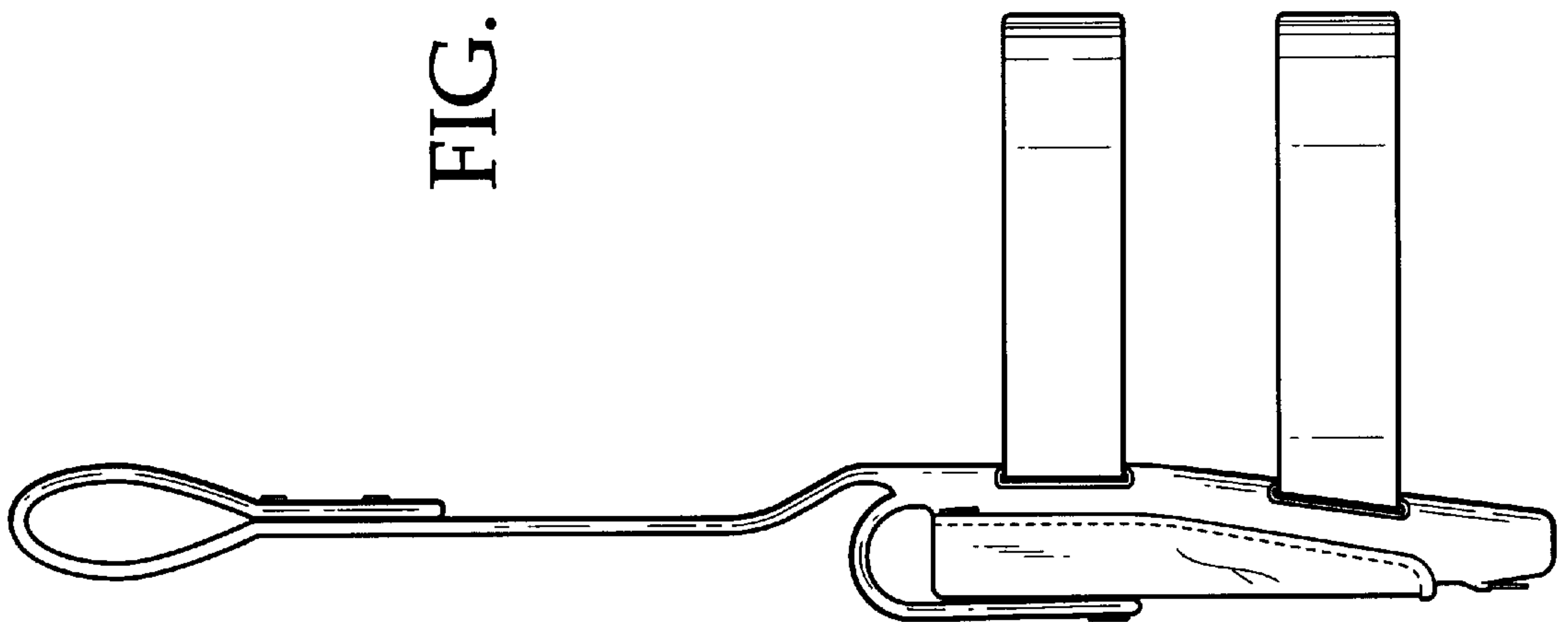


FIG. 3

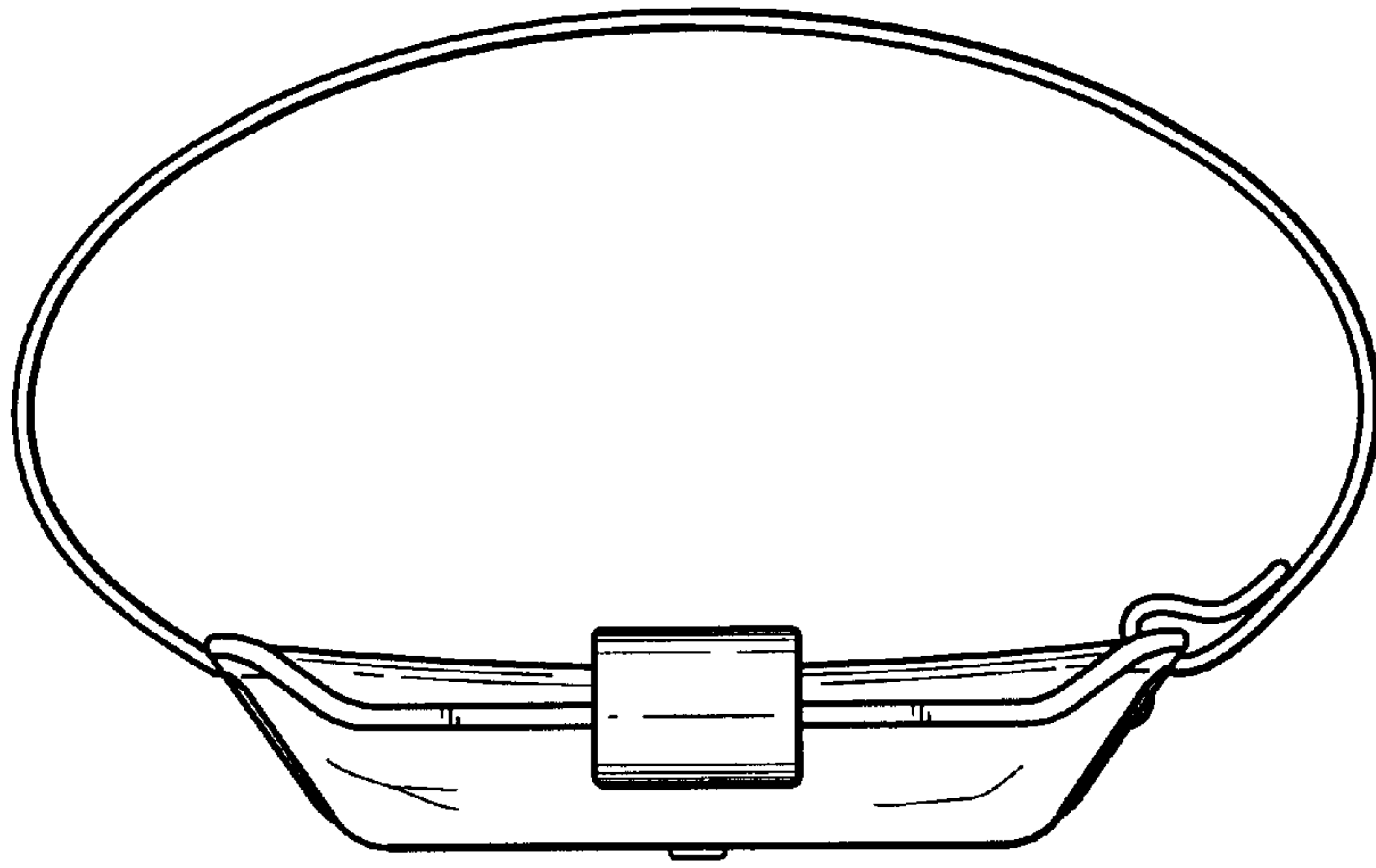


FIG. 5

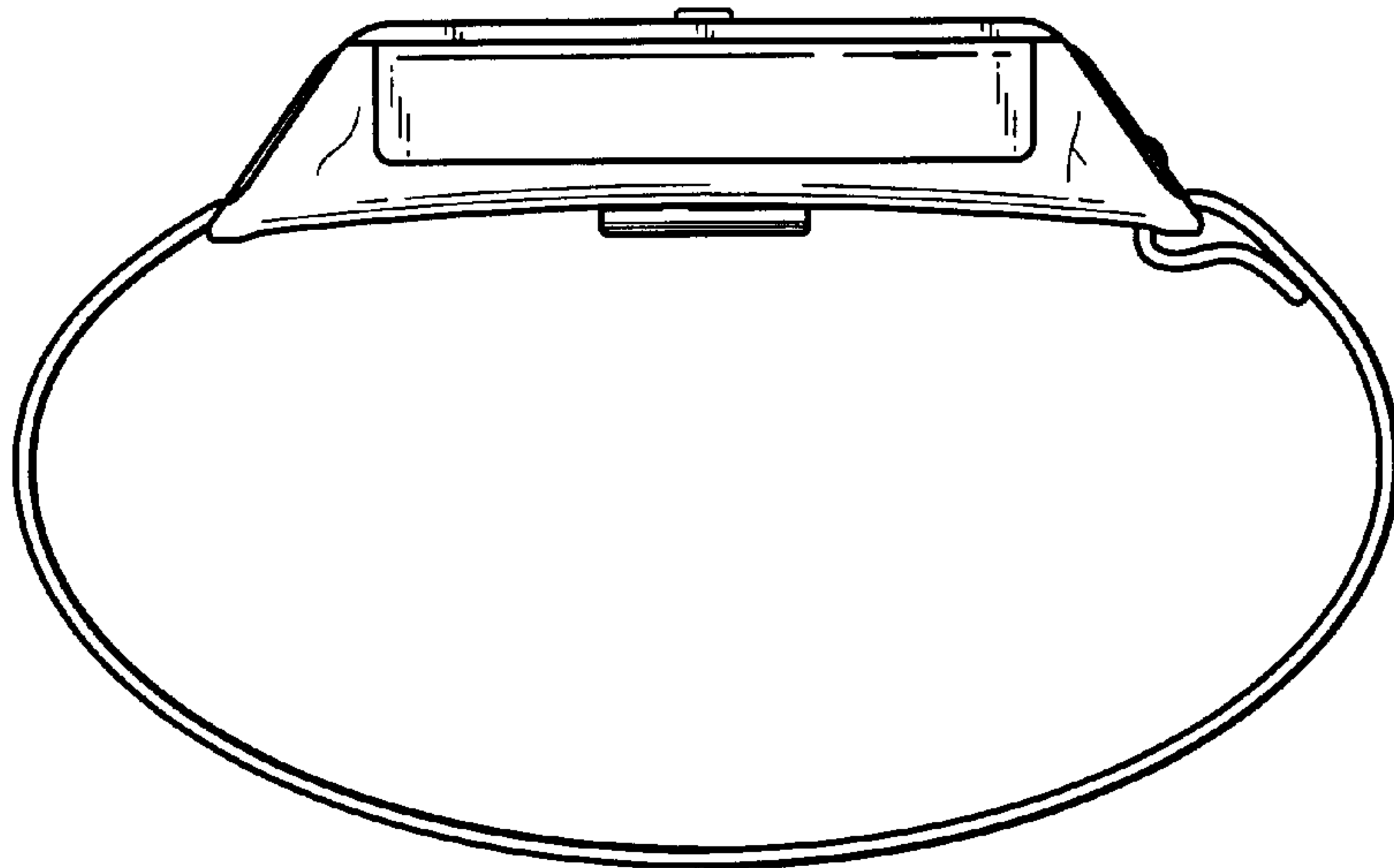


FIG. 6