



US00D435337S

United States Patent [19] Velazquez

[11] **Patent Number: Des. 435,337**

[45] **Date of Patent: ** Dec. 26, 2000**

[54] **POUCH FOR AN ABSORBENT ARTICLE**

[75] Inventor: **Herb F. Velazquez**, Neenah, Wis.

[73] Assignee: **Kimberly-Clark Worldwide, Inc.**,
Neenah, Wis.

[**] Term: **14 Years**

[21] Appl. No.: **29/106,009**

[22] Filed: **Jun. 4, 1999**

[51] **LOC (7) Cl. 03-01**

[52] **U.S. Cl. D3/225**

[58] **Field of Search** D3/210, 207, 215,
D3/221, 218, 247, 248, 253, 226, 227,
299, 225, 212; 150/131, 134, 150; 206/260,
94, 38, 37.1, 92, 245; 383/35, 94; D9/303,
304, 444; 224/236, 240, 245

[56] **References Cited**

U.S. PATENT DOCUMENTS

| | | | | |
|------------|--------|---------|-------|--------|
| D. 131,177 | 1/1942 | Buxton | | D3/212 |
| D. 349,405 | 8/1994 | Carroll | | D3/299 |
| 757,879 | 4/1904 | Brown | | 24/3.7 |

| | | | | |
|-----------|---------|------------------|-------|-----------|
| 1,583,633 | 5/1926 | Weissbrod | | 206/37.1 |
| 2,046,975 | 7/1936 | Shaw et al. | | 206/260 |
| 2,695,646 | 11/1954 | Van Wyk | | 150/150 |
| 3,394,870 | 7/1968 | Curtis | | 229/56 |
| 4,786,190 | 11/1988 | Van Erden et al. | | 206/260 X |
| 5,121,864 | 6/1992 | Geschwind | | 224/236 X |

Primary Examiner—Louis S. Zarfaz
Assistant Examiner—Catherine R. Oliver
Attorney, Agent, or Firm—Thomas M. Parker

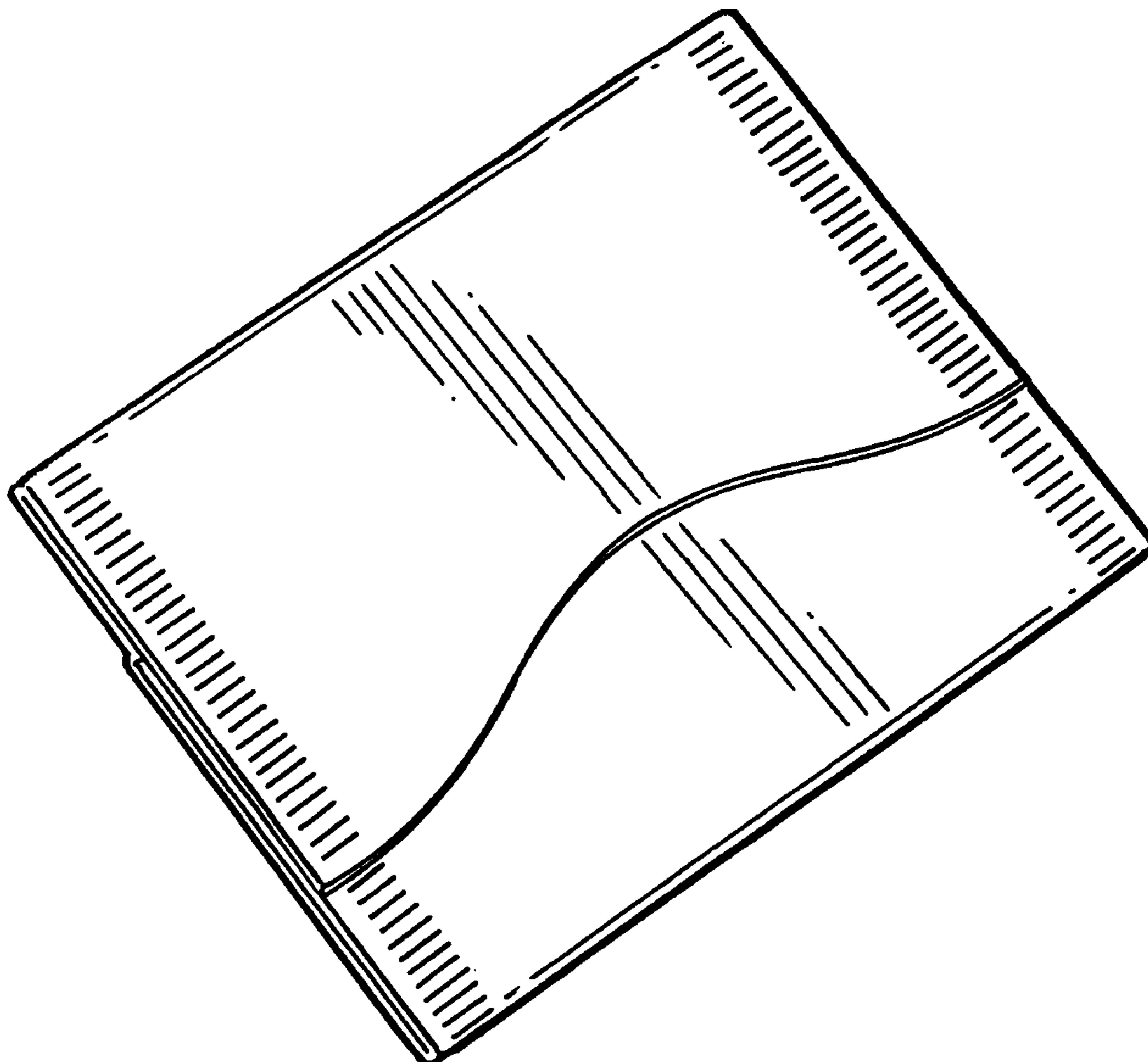
[57] **CLAIM**

The ornamental design for a pouch for an absorbent article, as shown.

DESCRIPTION

FIG. 1 illustrates a perspective view of a pouch for an absorbent article showing my new design; FIG. 2 illustrates a front elevational view thereof; FIG. 3 illustrates a left side elevational view thereof; FIG. 4 illustrates a right side elevational view thereof; FIG. 5 illustrates a bottom plan view thereof; FIG. 6 illustrates a rear elevational view thereof; and, FIG. 7 illustrates a top plan view thereof.

1 Claim, 2 Drawing Sheets



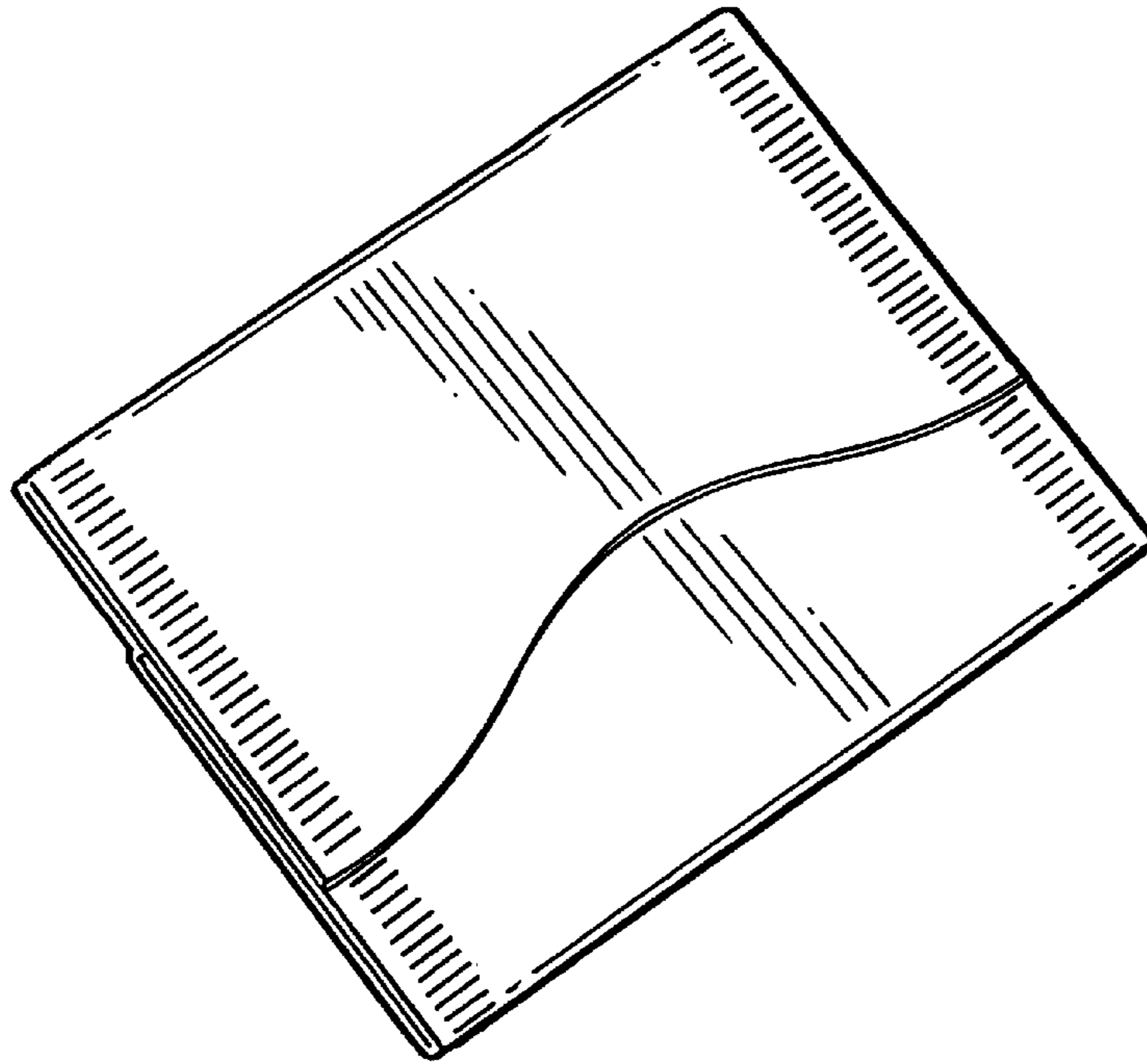


FIG. 1



FIG. 3

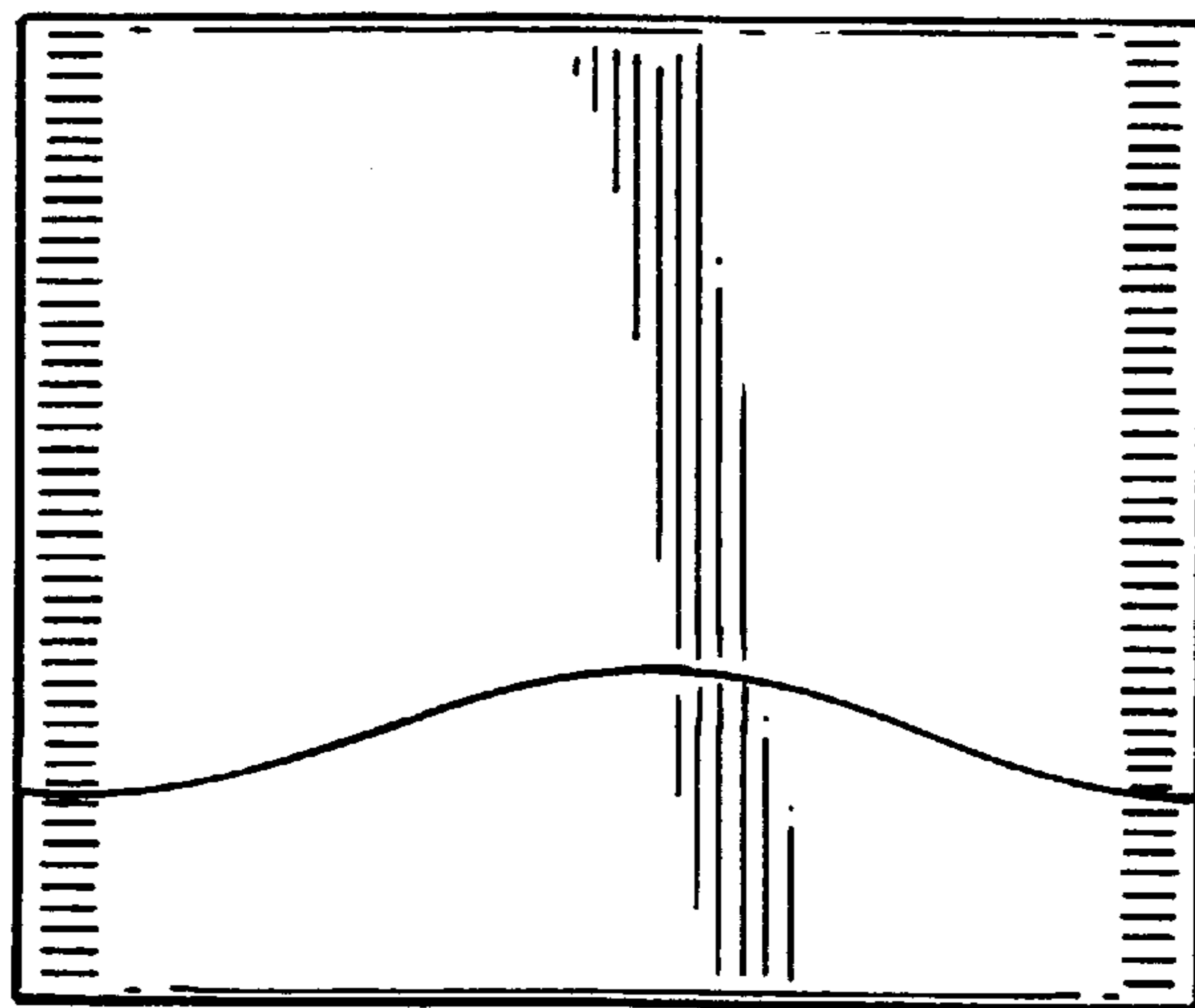


FIG. 2



FIG. 4

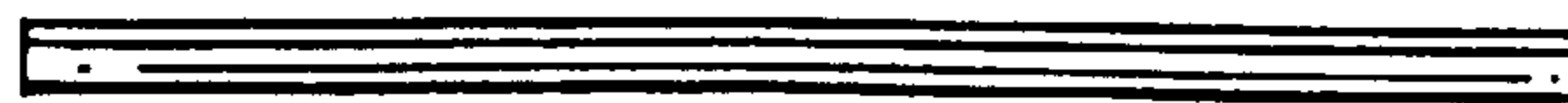


FIG. 5

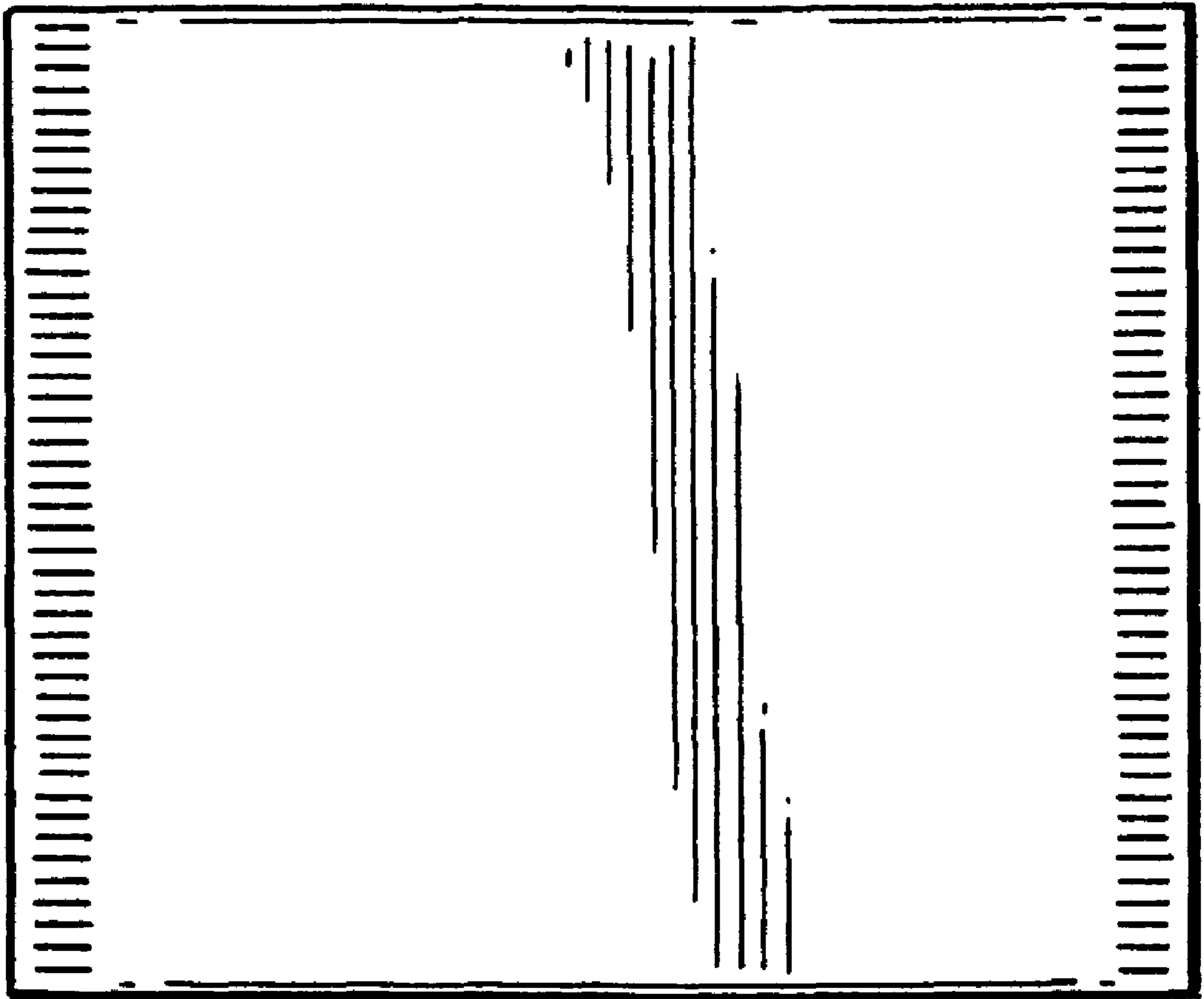


FIG. 6



FIG. 7