



US00D435329S

United States Patent [19] Stewart

[11] **Patent Number: Des. 435,329**

[45] **Date of Patent: ** Dec. 26, 2000**

[54] **SHIRT**

[76] **Inventor: Billy Stewart, 3109 Snowberry Dr., Raleigh, N.C. 27610**

[**] **Term: 14 Years**

[21] **Appl. No.: 29/115,665**

[22] **Filed: Dec. 17, 1999**

[51] **LOC (7) Cl. 02-02**

[52] **U.S. Cl. D2/849; D2/840; D2/847**

[58] **Field of Search D2/837, 717, 718, D2/719, 720, 728, 739, 750, 755, 828, 840-842, 844-847, 849, 850; 2/113, 119, 123, 114, 115, 108, DIG. 1, 127, 124**

[56] **References Cited**

U.S. PATENT DOCUMENTS

D. 72,157	3/1927	Lamberton	D2/847
D. 130,692	1/1941	Lardner	D2/840
D. 174,426	4/1955	Greenwald	D2/849
D. 246,616	12/1977	Montes	D2/837
611,241	9/1898	Fellows	2/124
1,921,467	8/1933	Hymes	2/123
2,101,380	12/1937	Alston	2/127

2,135,502	11/1938	Grigsby	2/124
2,999,245	9/1961	Lippman	2/115
3,369,256	2/1968	Kern	2/114

Primary Examiner—Celia Murphy

[57] **CLAIM**

The ornamental design for a shirt, as shown.

DESCRIPTION

FIG. 1 is a front elevational view of a shirt showing my new design;
 FIG. 2 is a back elevational view of the shirt of FIG. 1;
 FIG. 3 is a left side elevational view of the shirt of FIG. 1;
 FIG. 4 is a right side elevational view of the shirt of FIG. 1;
 FIG. 5 is a top plan view of the shirt of FIG. 1;
 FIG. 6 is a bottom plan view of the shirt of FIG. 1;
 FIG. 7 is a front elevational view of an alternate embodiment of the shirt shown in FIG. 1;
 FIG. 8 is a back elevational view of the shirt of FIG. 7;
 FIG. 9 is a left side elevational view the shirt of FIG. 7; and,
 FIG. 10 is a right side elevational view of the shirt of FIG. 7.

The broken lines shown on the pockets of FIGS. 1 and 7 are understood to represent stitching.

1 Claim, 5 Drawing Sheets



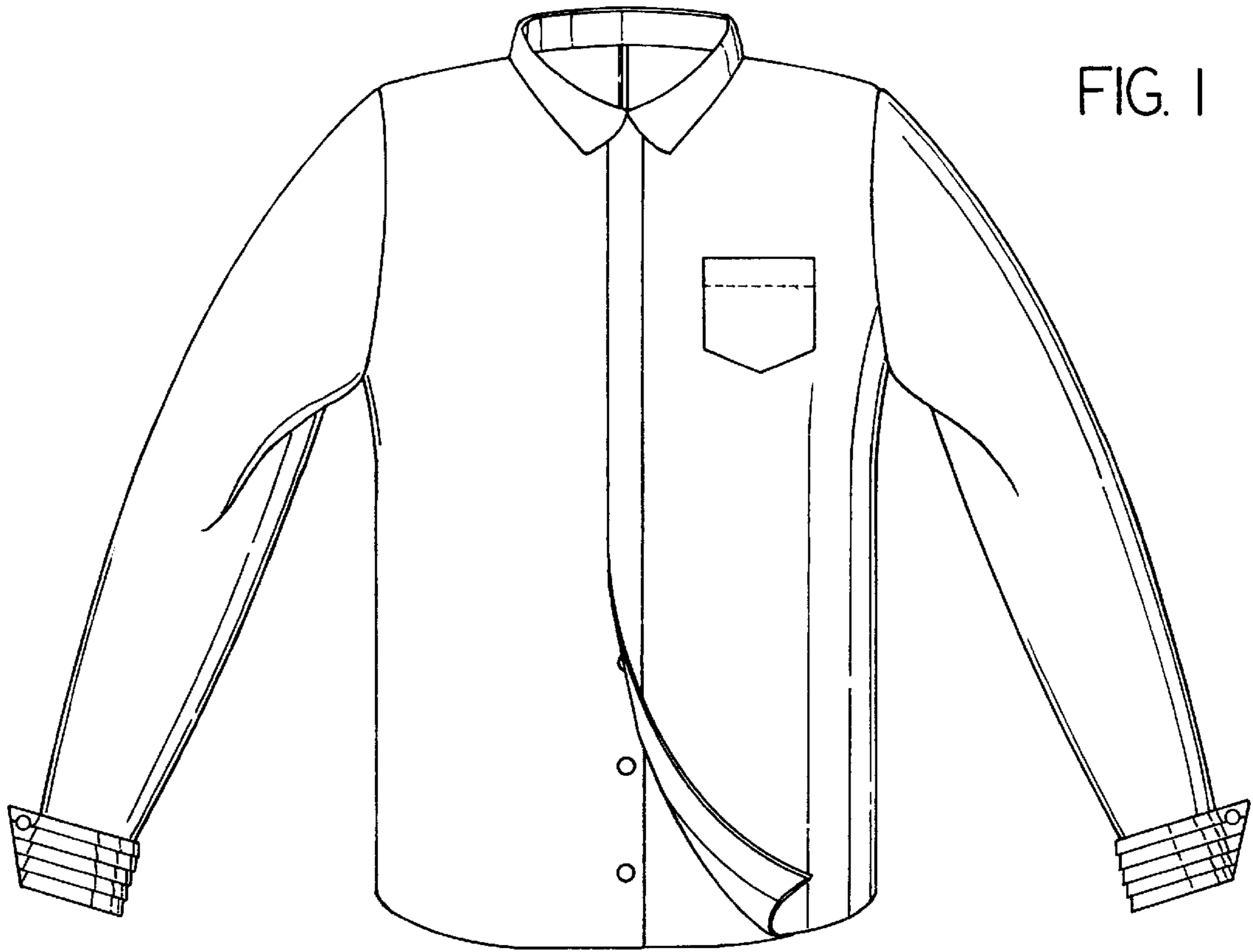
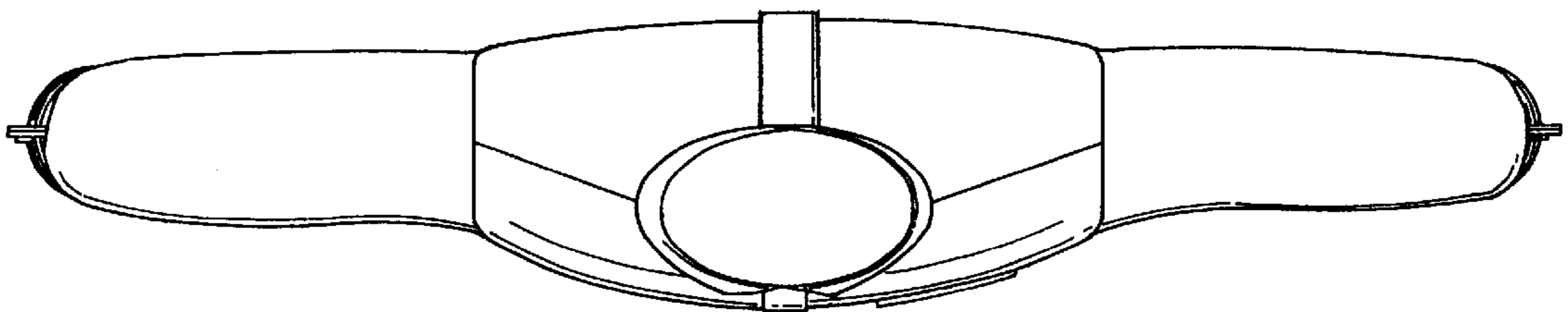


FIG. 1

FIG. 5



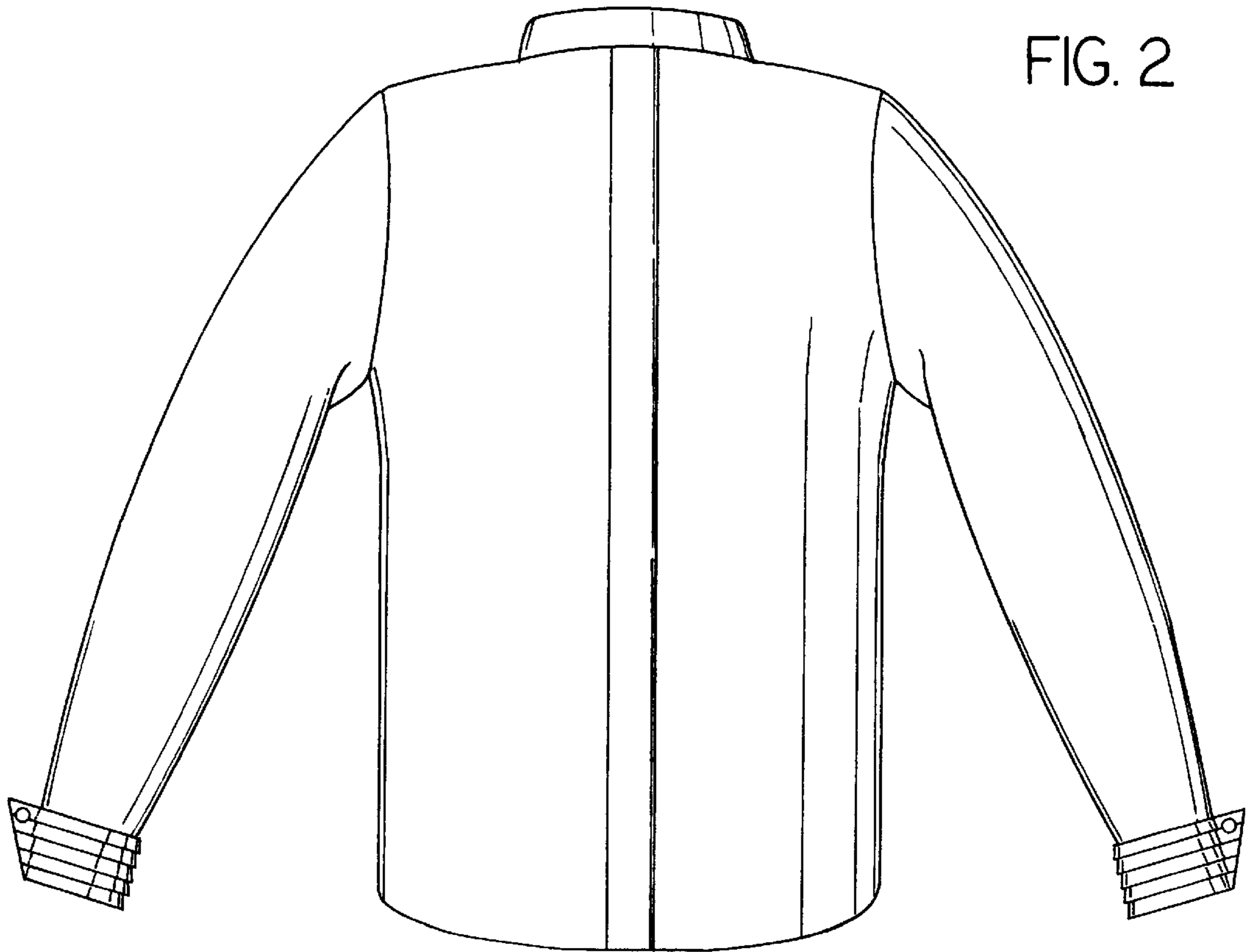
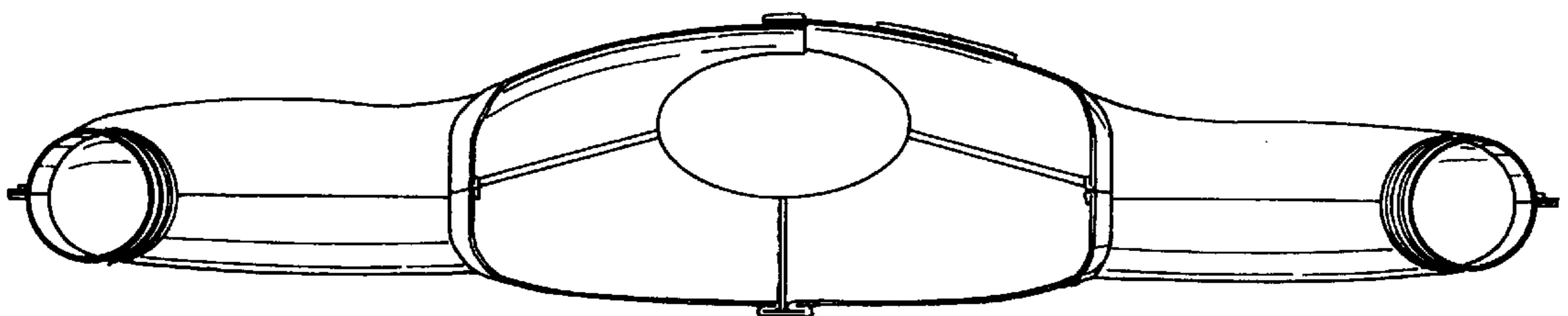


FIG. 2

FIG. 6



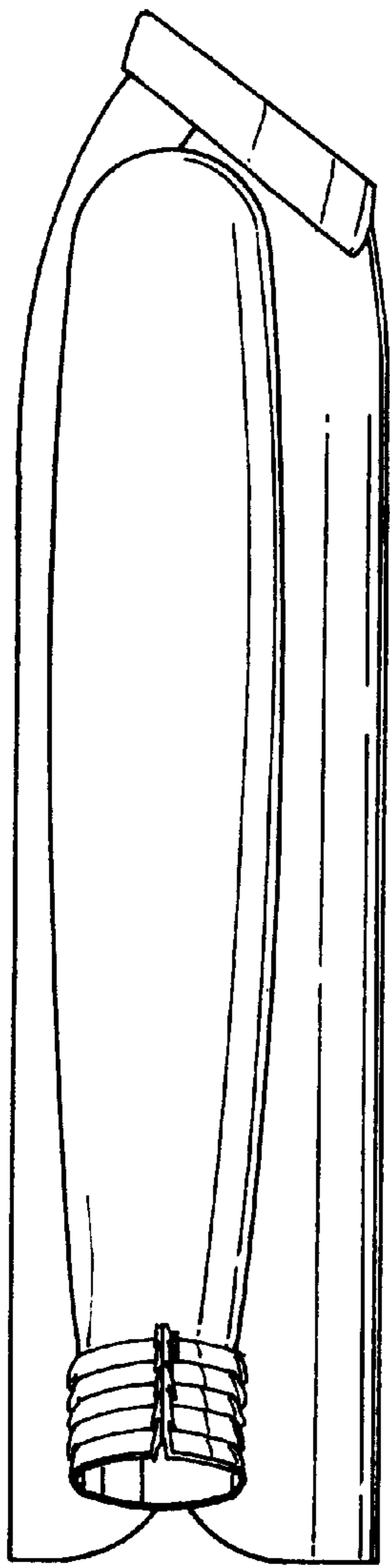


FIG. 3

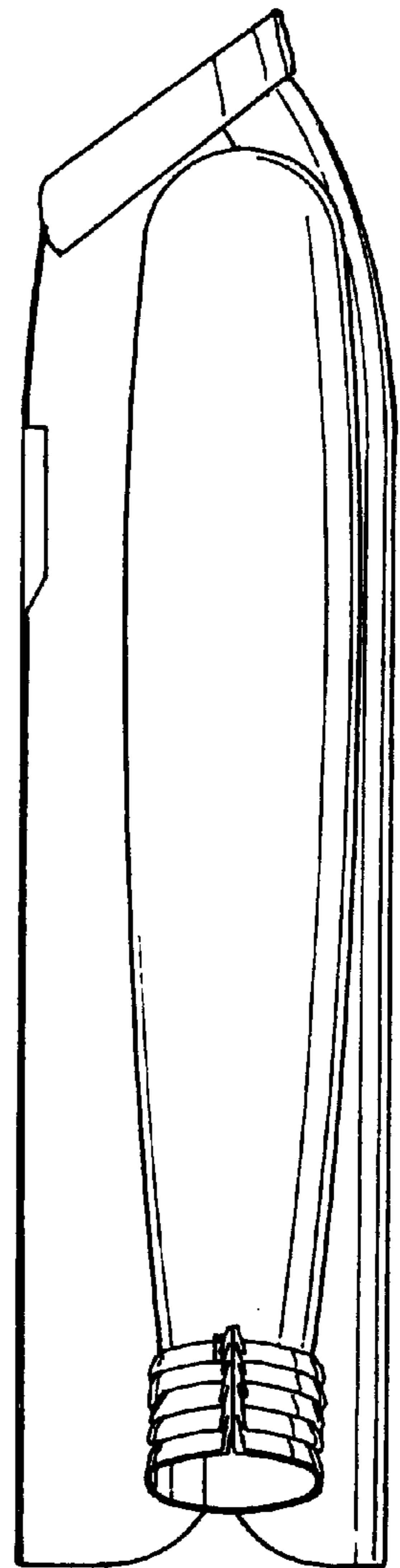


FIG. 4

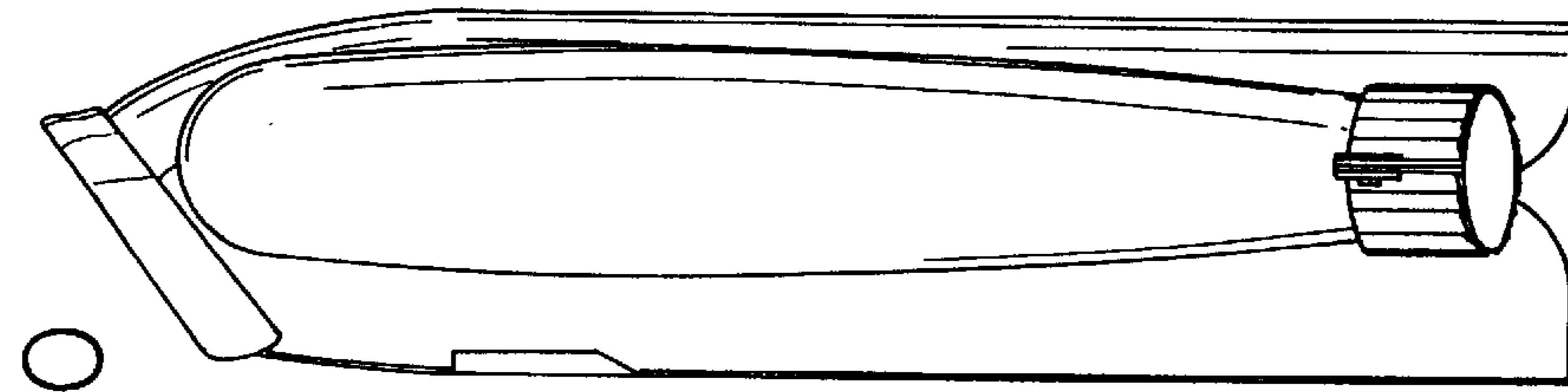


FIG. 10

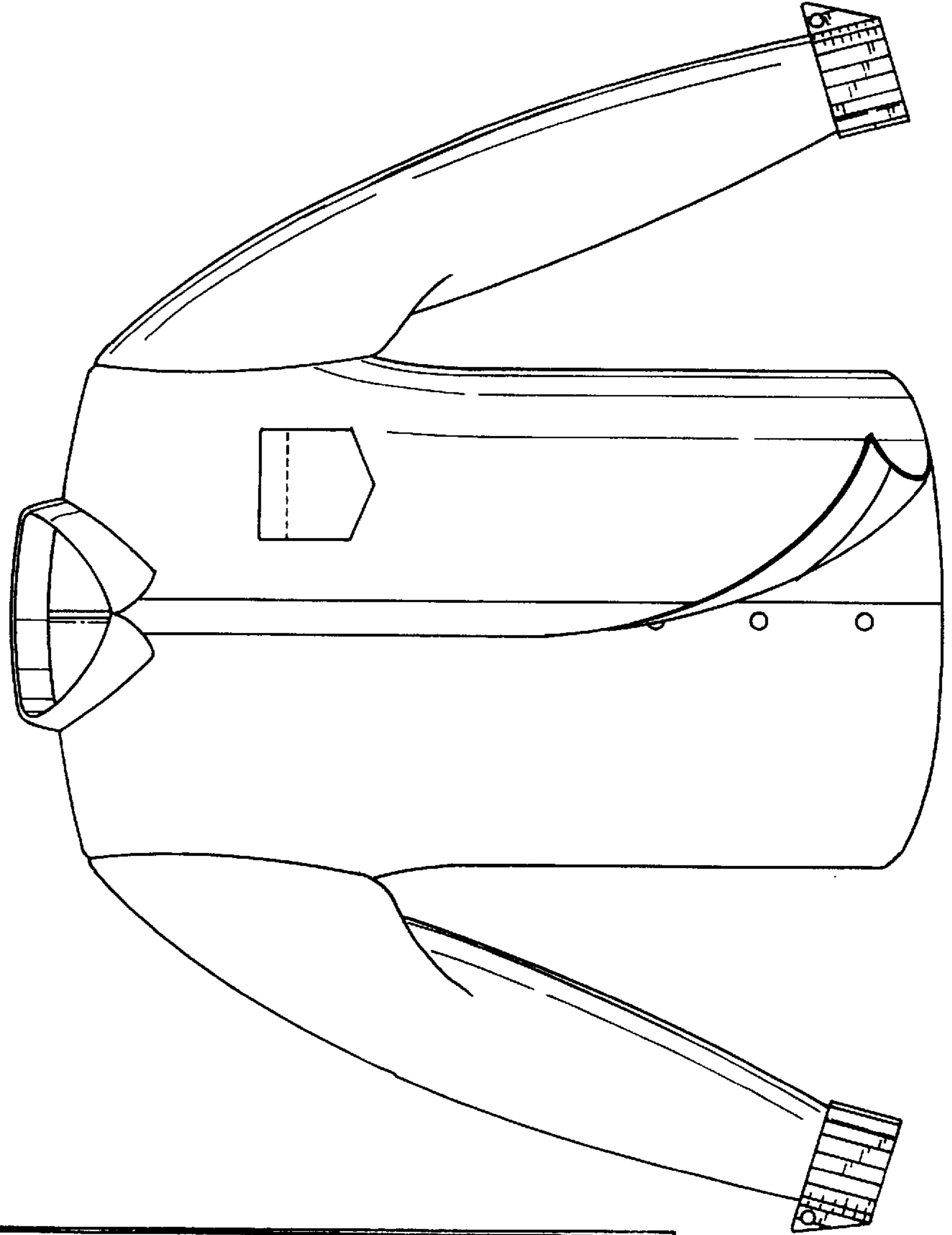


FIG. 7

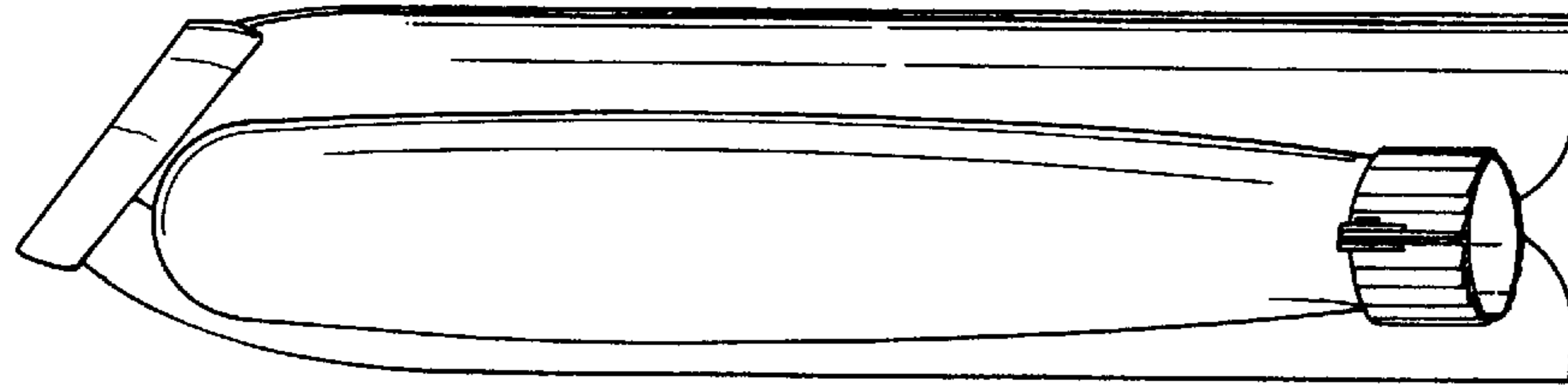


FIG. 9

FIG. 8

