



US00D435327S

United States Patent [19] Schallip

[11] Patent Number: Des. 435,327

[45] Date of Patent: ** Dec. 26, 2000

[54] **THREE DIMENSIONAL DEER COOKIE**

[76] Inventor: **Mary Ann Schallip**, 17592 Simonsen Rd., Barbeau, Mich. 49710

[**] Term: **14 Years**

[21] Appl. No.: **29/122,496**

[22] Filed: **Apr. 27, 2000**

[51] **LOC (7) Cl.** **01-01**

[52] **U.S. Cl.** **D1/110**

[58] **Field of Search** D1/100-102, 104, D1/106-110, 127-129, 199; 426/104, 274, 275, 549, 389, 512; D21/479, 614; D7/676; D11/127, 158; 428/16; 425/298; 446/387; 30/316

[56] **References Cited**

U.S. PATENT DOCUMENTS

D. 57,298	3/1921	Auerbach	D1/110
D. 381,929	8/1997	Lal et al.	D11/127
D. 383,416	9/1997	Lal et al.	D11/127

OTHER PUBLICATIONS

Gillespie, Gregg R. 1001 Cookie Recipes, New York, NY, Black Dog & Leventhal Publishers, Inc., gingerbread man, p. 240, 1995.

Primary Examiner—Joel Sincavage
Assistant Examiner—Linda Brooks
Attorney, Agent, or Firm—Reising, Ethington, Barnes, Kisselle, Learman & McCulloch, P.C.

[57] **CLAIM**

The ornamental design for a three dimensional deer cookie, as shown and described.

DESCRIPTION

FIG. 1 is a perspective view of a three dimensional deer cookie;

FIG. 2 is a front elevational view thereof;

FIG. 3 is a rear elevational view thereof;

FIG. 4 is a right side elevational view thereof, the left side elevational view being a mirror image;

FIG. 5 is a top plan view thereof;

FIG. 6 is a bottom view thereof; and,

FIG. 7 is an exploded plan view showing the four parts of the three dimensional deer cookie.

1 Claim, 3 Drawing Sheets

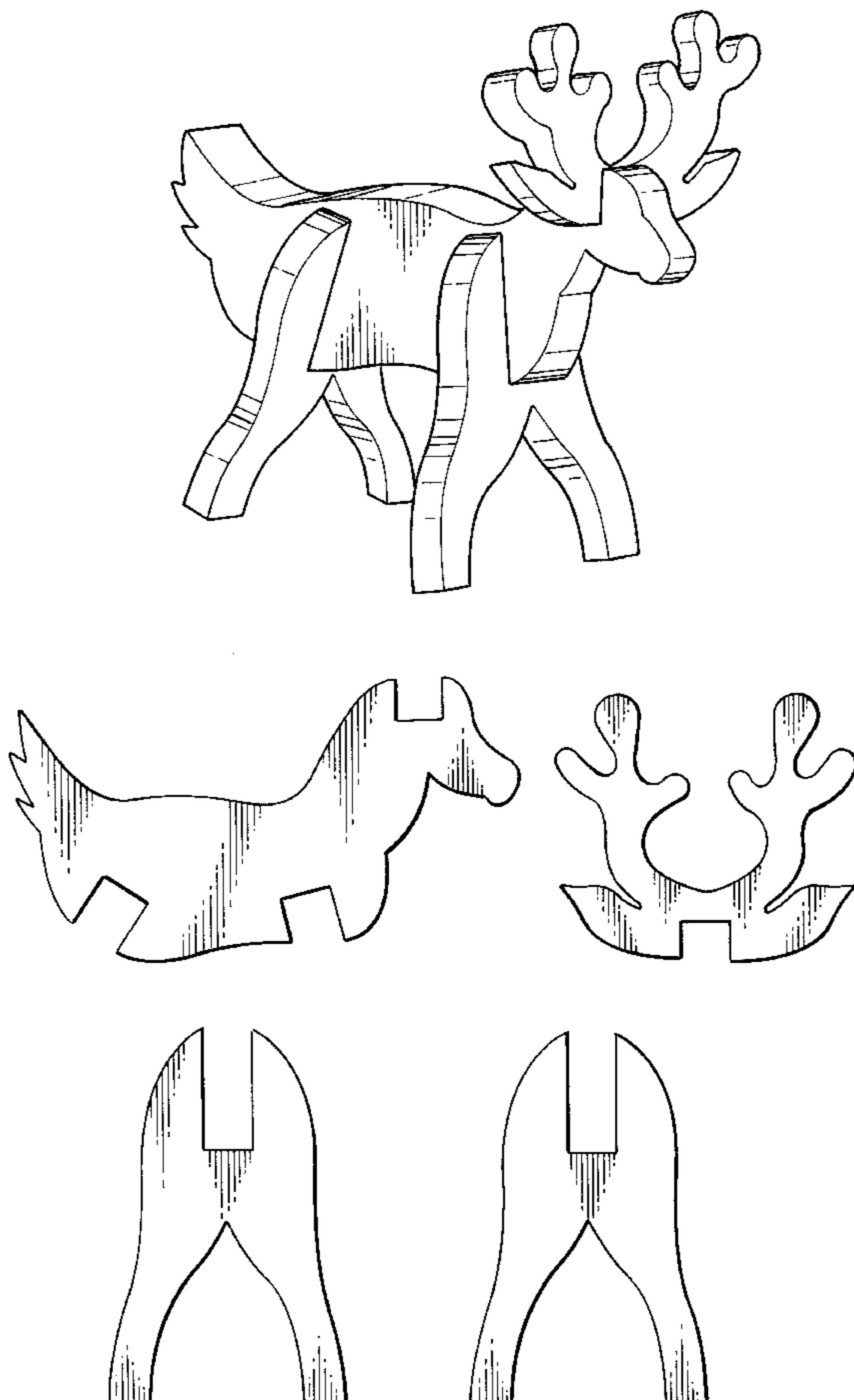


FIG - 1

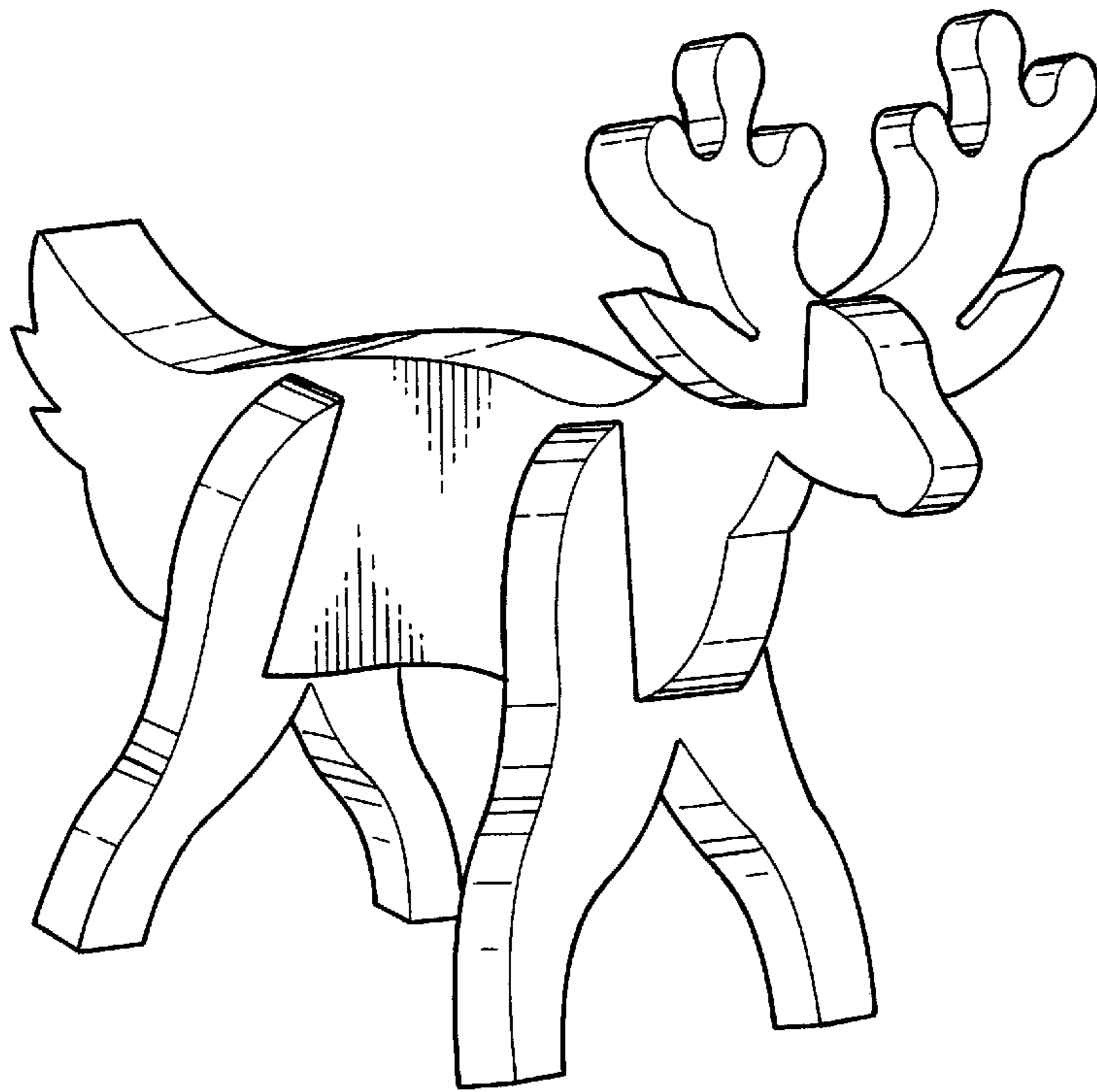


FIG - 2

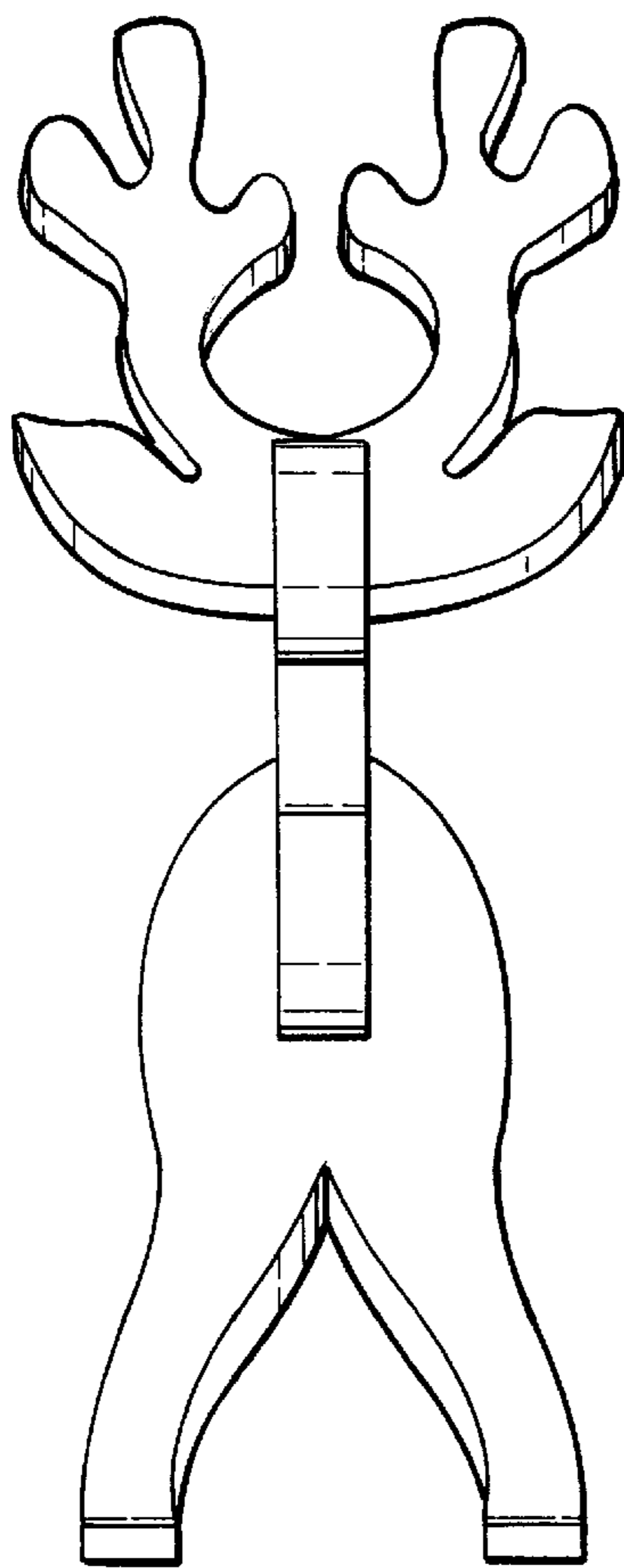


FIG - 3

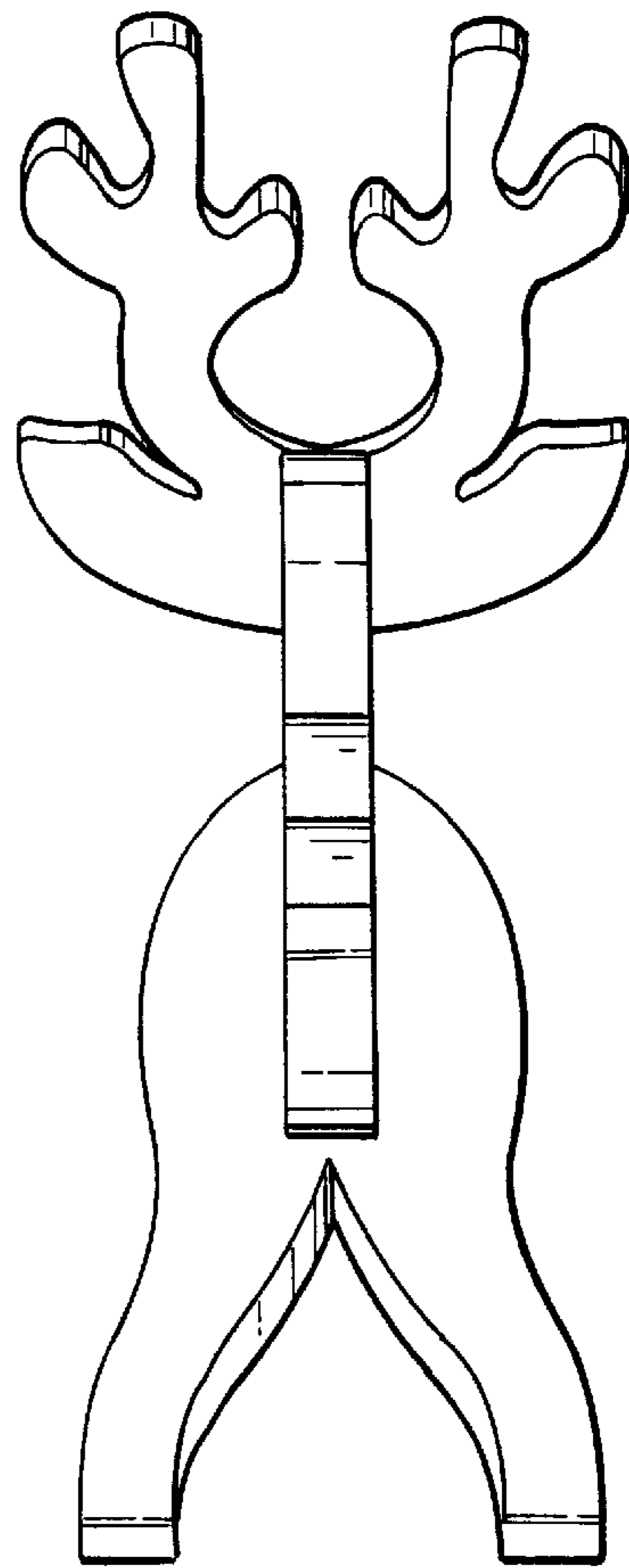


FIG-4

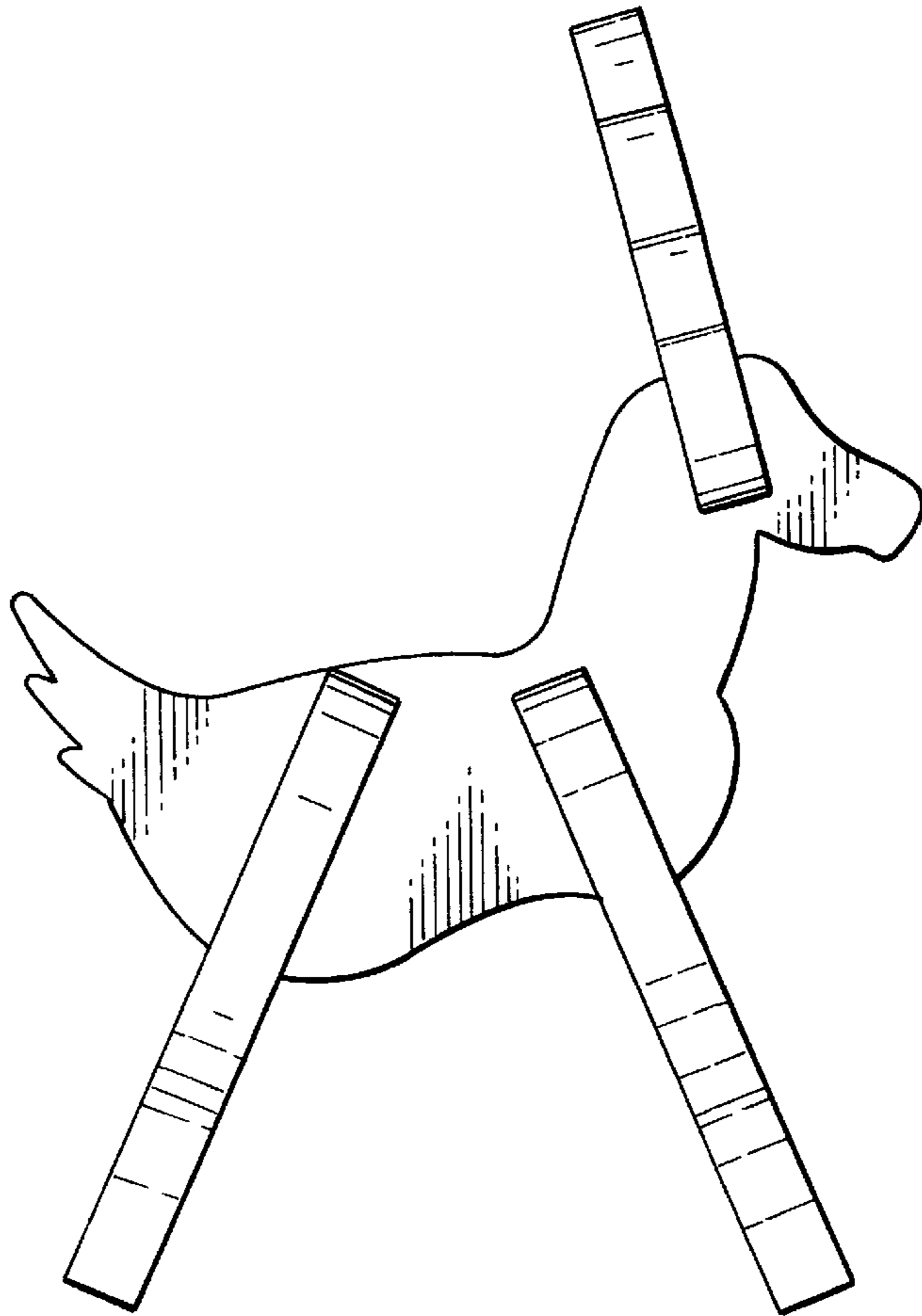


FIG-5

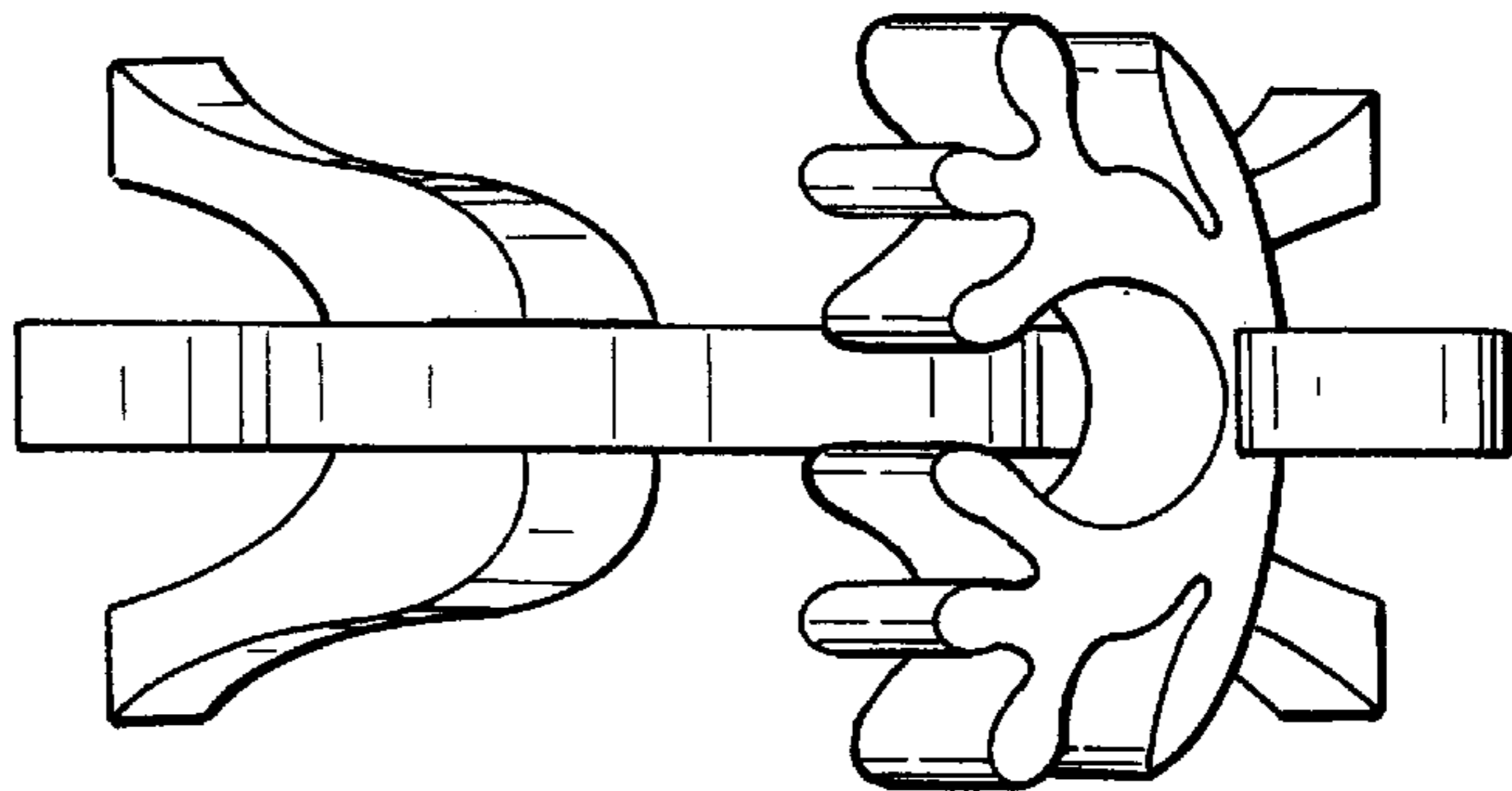
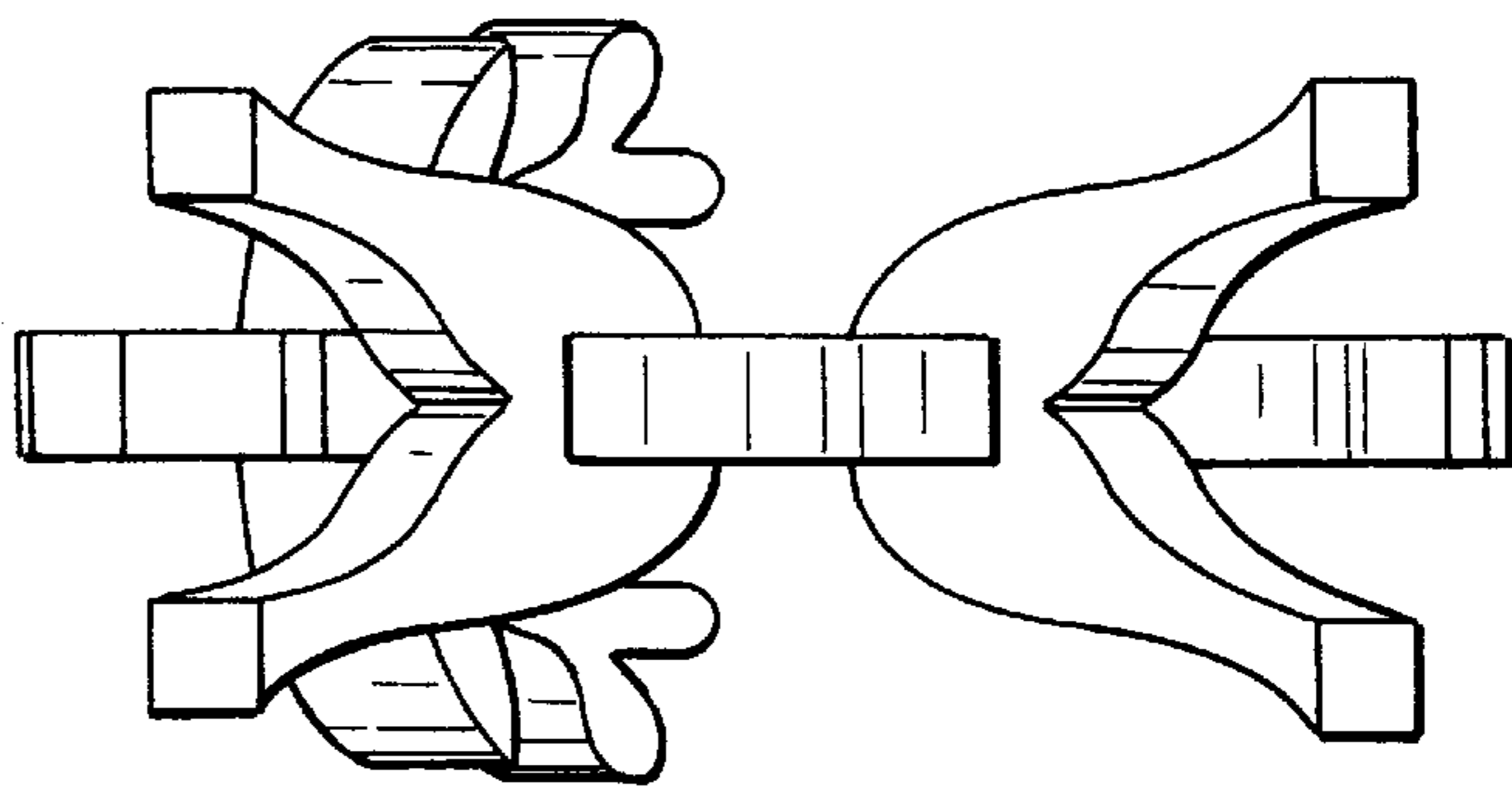


FIG-6



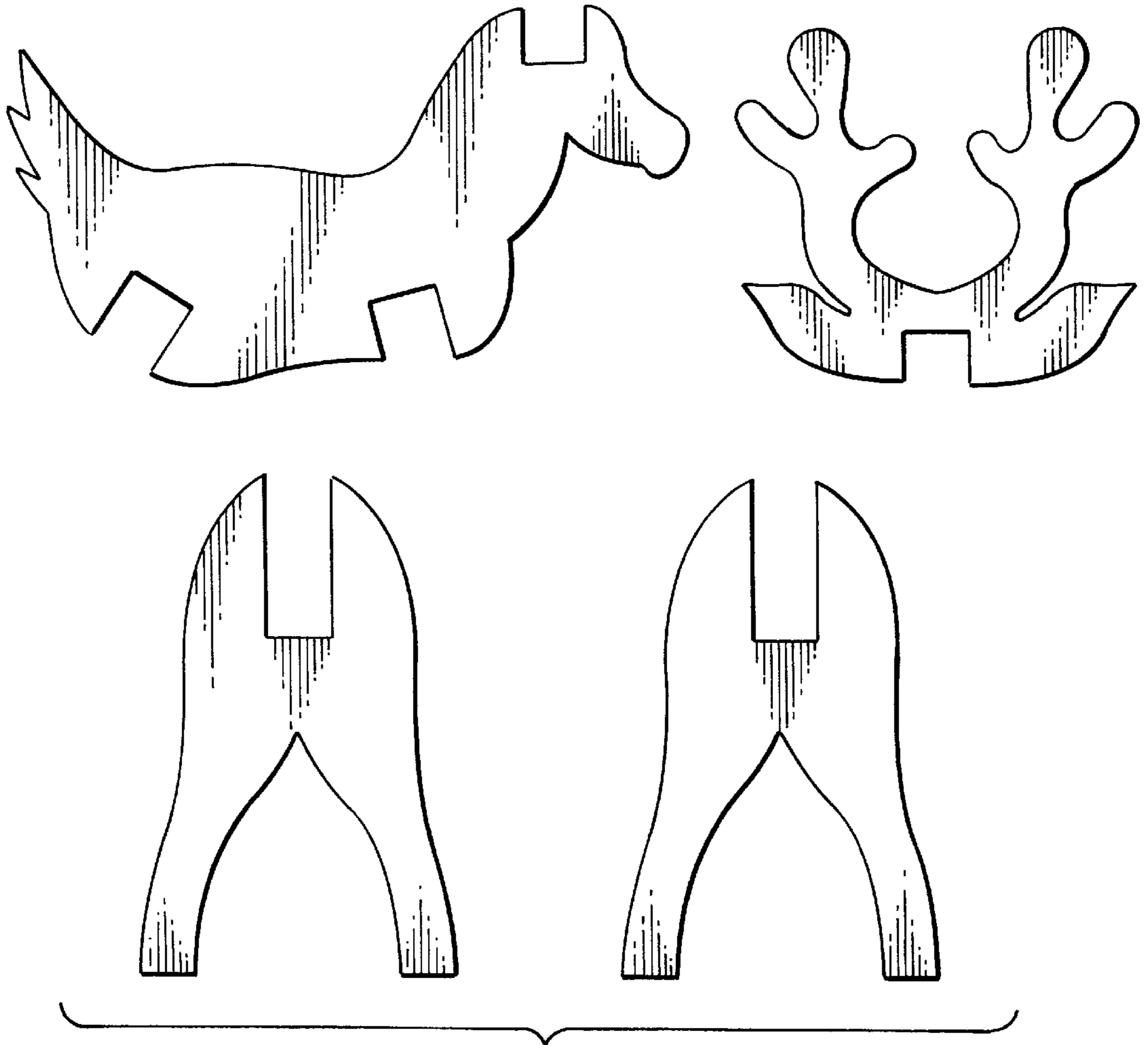


FIG -7