



US00D435320S

United States Patent [19] Fick

[11] Patent Number: **Des. 435,320**

[45] Date of Patent: **** Dec. 19, 2000**

[54] **BIRDHOUSE**

[75] Inventor: **Orval Lee Fick**, Miami, Okla.

[73] Assignee: **Blitz U.S.A., Inc.**, Miami, Okla.

[**] Term: **14 Years**

[21] Appl. No.: **29/111,894**

[22] Filed: **Oct. 7, 1999**

[51] **LOC (7) Cl.** **30-02**

[52] **U.S. Cl.** **D30/110**

[58] **Field of Search** D30/110-112,
D30/117, 124-128; 119/52.3, 57.8-57.9,
428-435; 446/106; D21/506-508; D25/7

[56] **References Cited**

U.S. PATENT DOCUMENTS

D. 140,175	1/1945	Hyde	D30/110
D. 342,349	12/1993	Scheppard	D30/110
D. 346,976	5/1994	Jones	D30/110
D. 370,311	5/1996	Logan, Jr.	D30/110
D. 421,157	2/2000	Logan, Jr.	D30/110

1,166,100	12/1915	White	119/428
4,506,629	3/1985	Cross	119/428
4,846,110	7/1989	Reynolds	119/428
5,228,410	7/1993	Parker	119/428
5,746,156	5/1998	Petrides et al.	119/428

Primary Examiner—Cathy Anne MacCormac
Attorney, Agent, or Firm—Hovey, Williams, Timmons & Collins

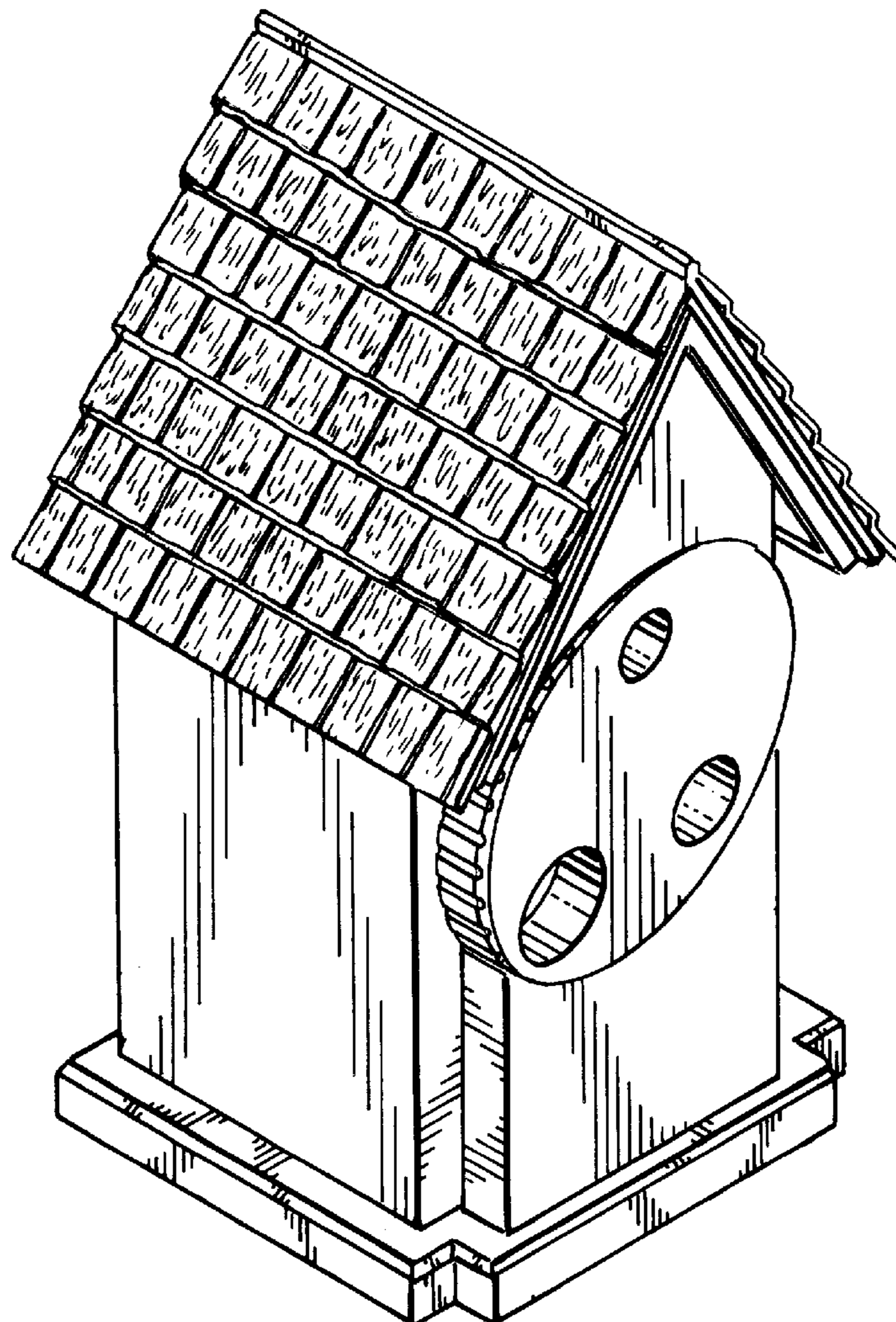
[57] **CLAIM**

The ornamental design for a birdhouse, as shown and described.

DESCRIPTION

FIG. 1 is a perspective view;
FIG. 2 is a front elevational view;
FIG. 3 is a bottom plan view;
FIG. 4 is a side elevational view; the opposite side is a mirror image;
FIG. 5 is a rear elevational view; and,
FIG. 6 is a top plan view.

1 Claim, 2 Drawing Sheets



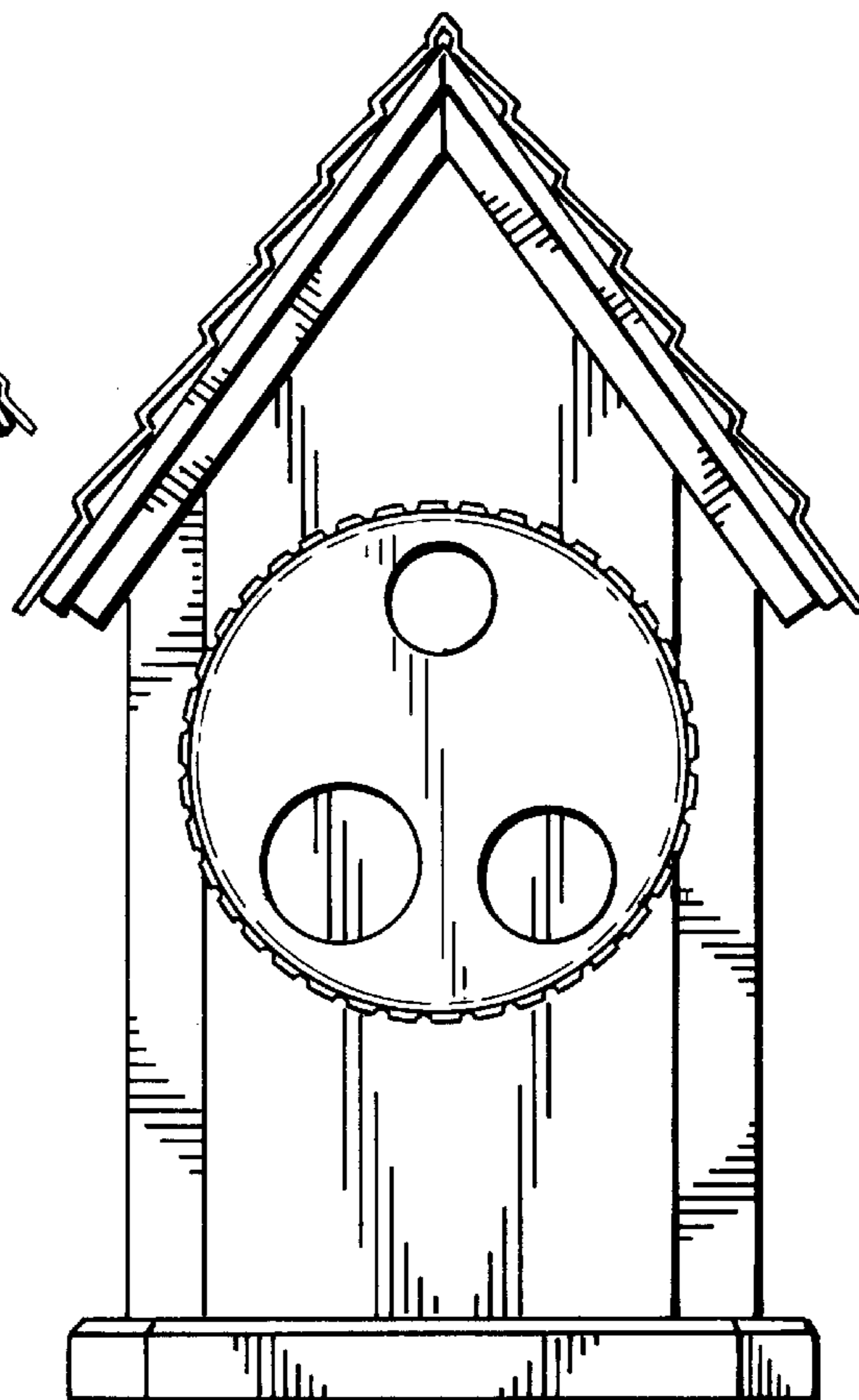
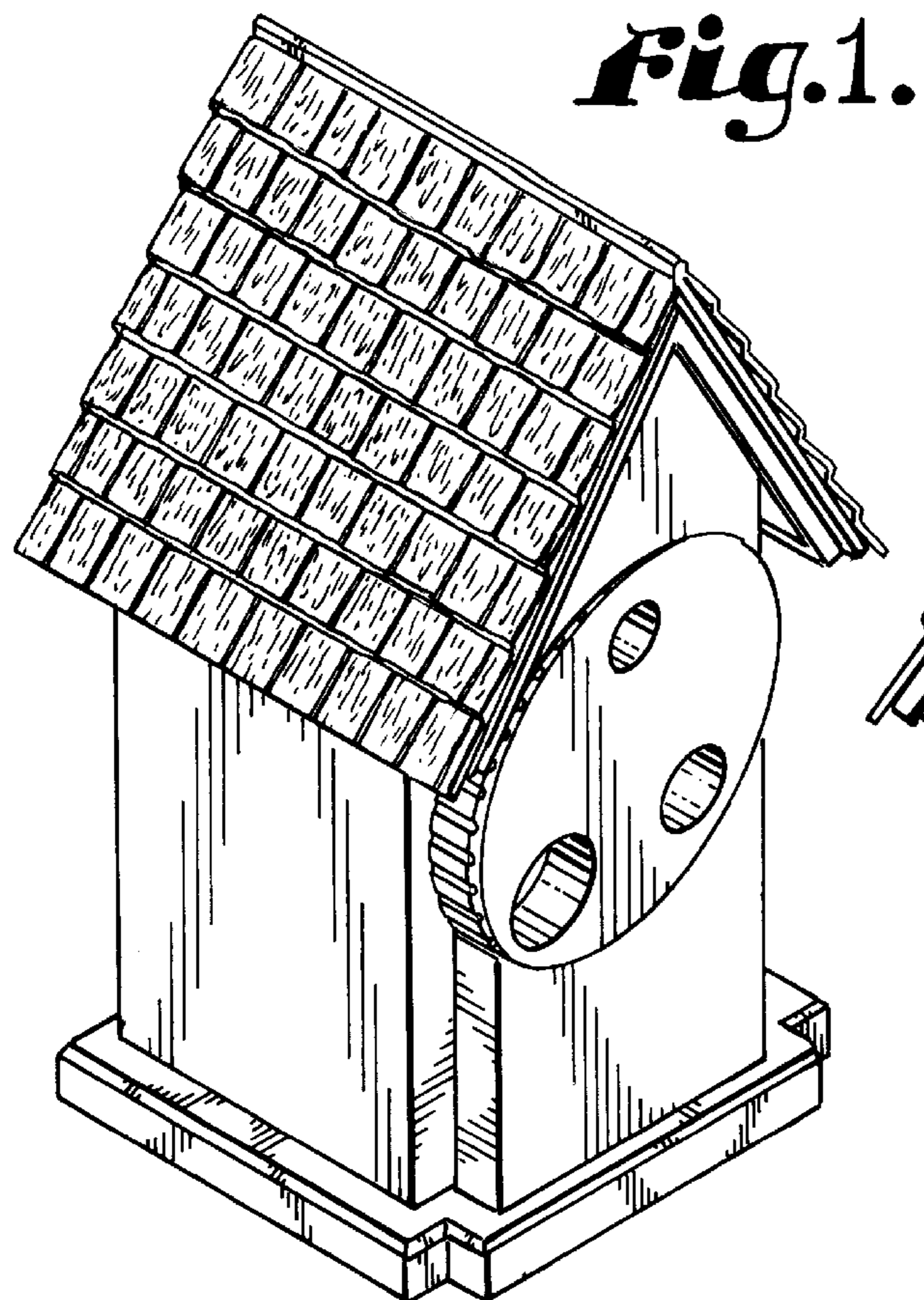


Fig.2.

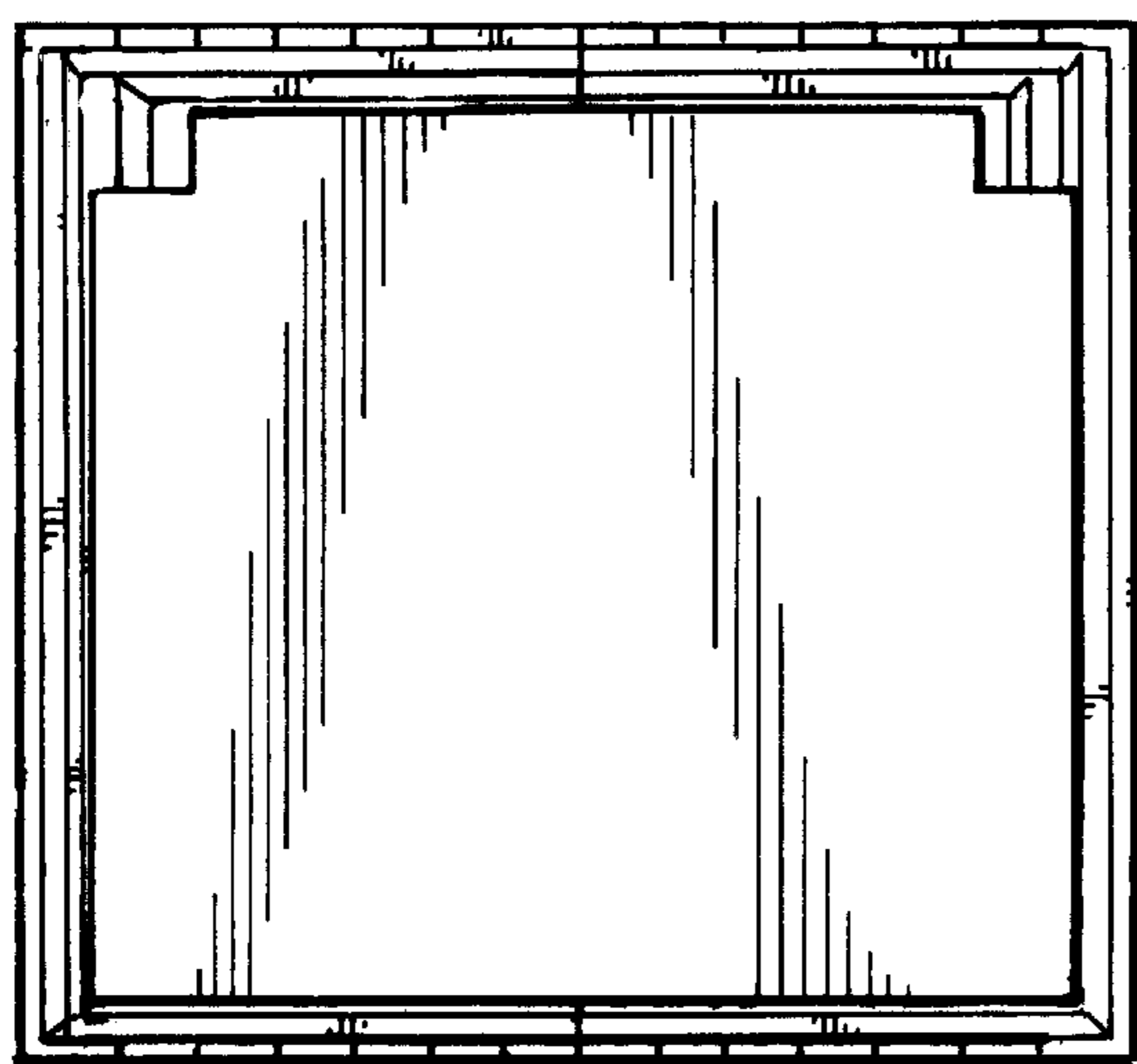


Fig.3.

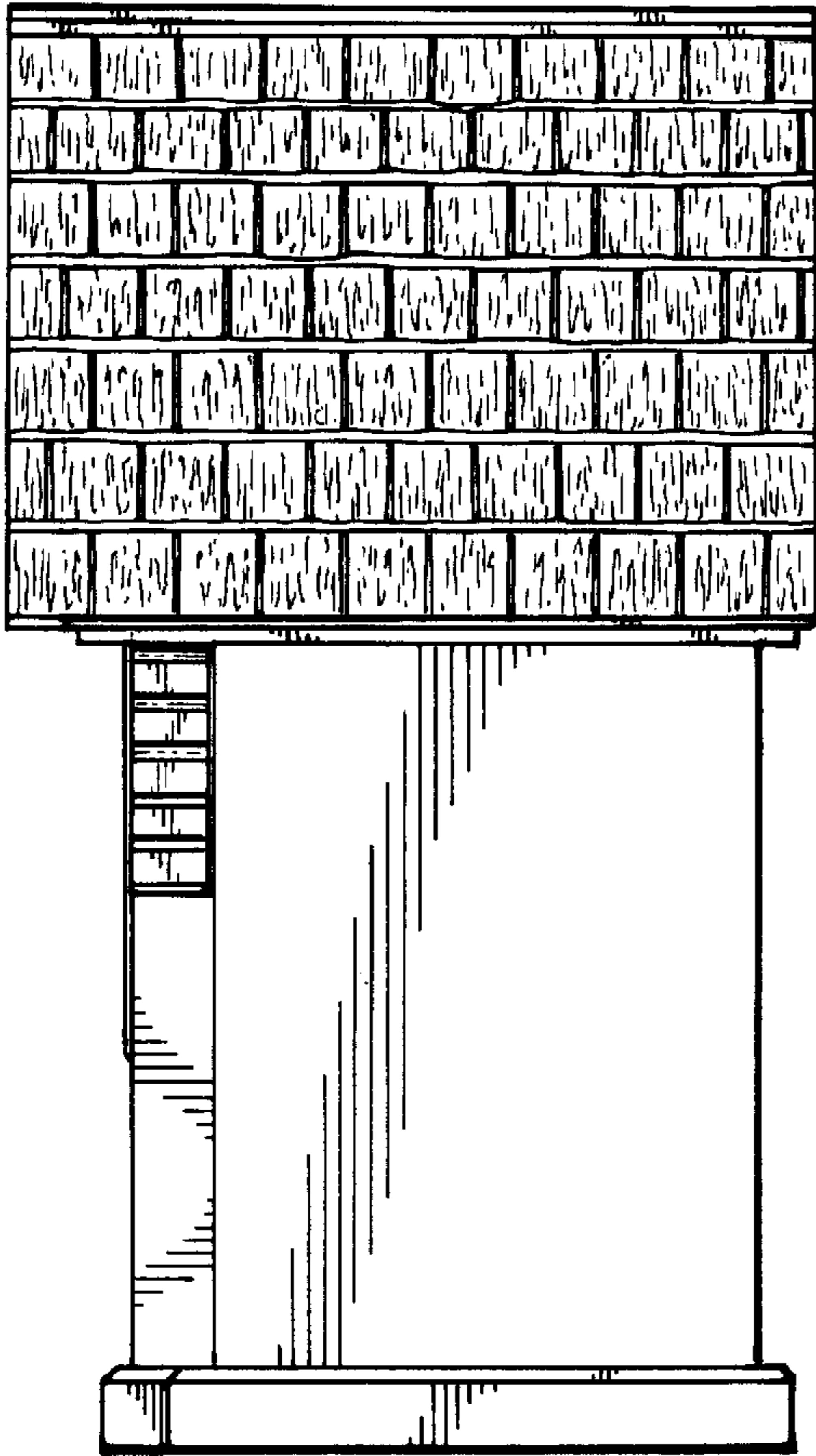


Fig. 4.

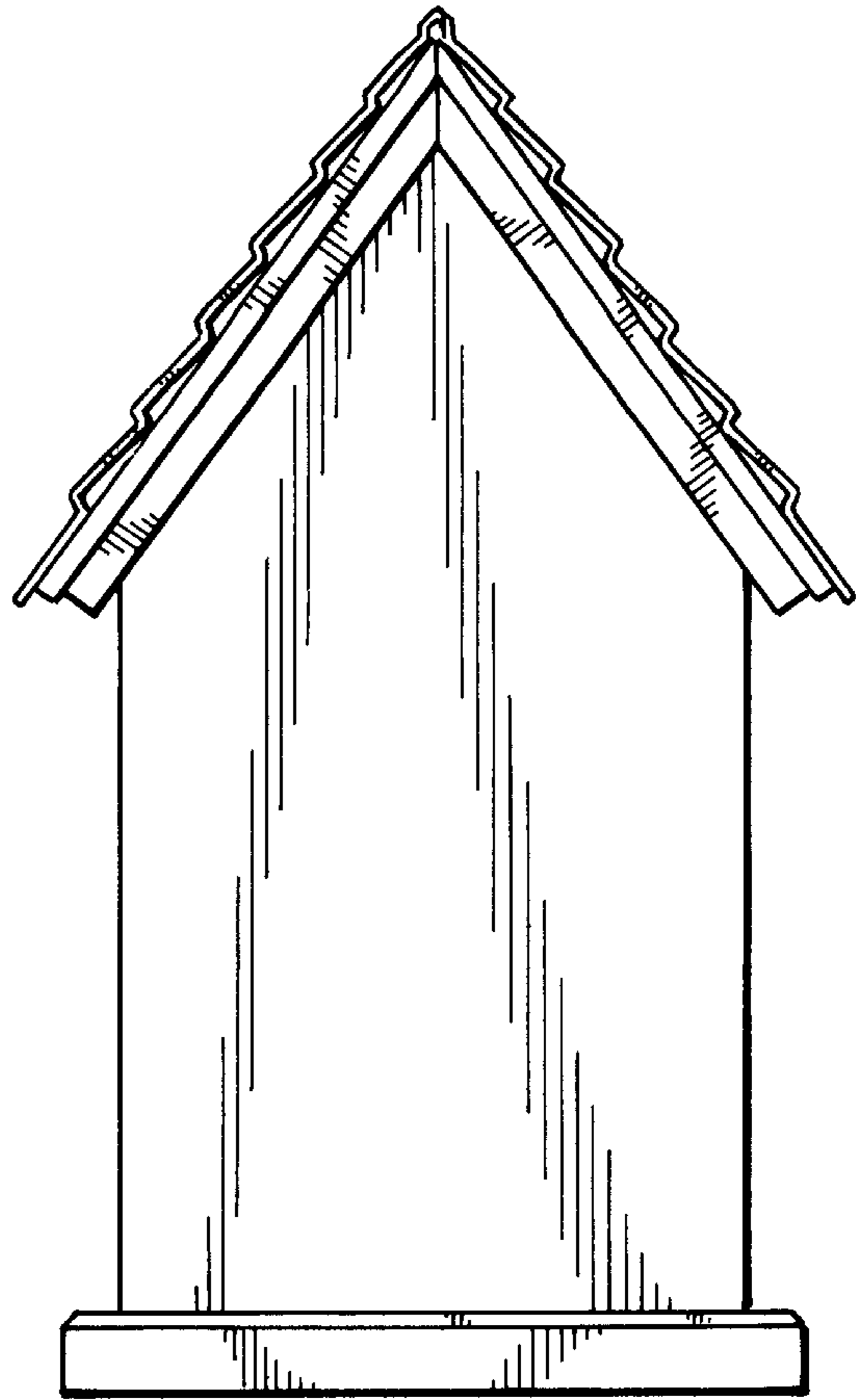


Fig. 5.

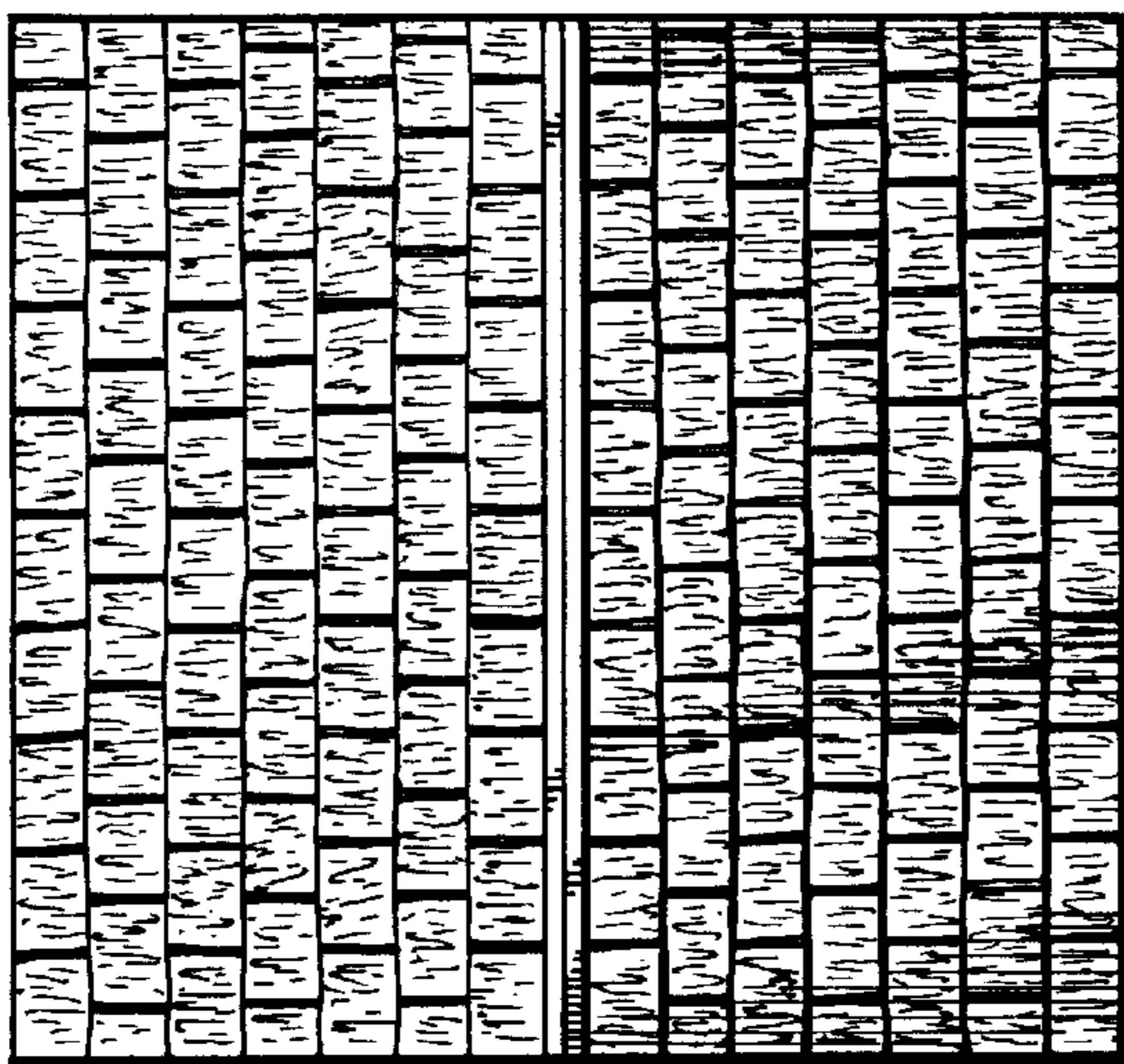


Fig. 6.