



US00D435318S

United States Patent [19] Rieser

[11] Patent Number: **Des. 435,318**

[45] Date of Patent: **** Dec. 19, 2000**

[54] **FOLDABLE NAIL FILE**

1,898,422 2/1933 Champlin 451/540 X
5,520,574 5/1996 Wilson 451/540

[76] Inventor: **Udo Rieser**, Taunusring 28, 65205
Wiesbaden-Delkenheim, Germany

FOREIGN PATENT DOCUMENTS

[**] Term: **14 Years**

956744 1/1957 Germany 30/155
3221549 12/1983 Germany 30/155

[21] Appl. No.: **29/085,688**

Primary Examiner—Catherine Tuttle
Attorney, Agent, or Firm—Milde, Hoffberg & Macklin, LLP

[22] Filed: **Mar. 27, 1998**

[30] Foreign Application Priority Data

Sep. 29, 1997 [DE] Germany M 97 09 127

[57] CLAIM

The ornamental design for a foldable nail file, as shown and described.

[51] **LOC (7) Cl.** **28-03**

DESCRIPTION

[52] **U.S. Cl.** **D28/59**

[58] **Field of Search** D28/56, 57, 59;
D8/90, 91, 94, 99; 132/75.6, 76.2, 76.4,
76.5; 30/26, 27, 53–55, 526, 528, 151,
153, 155–157, 331, 340; 451/540, 557

FIG. 1 is a perspective view of the front and right side of a foldable nail file according to my design with the nail file in the closed position;

FIG. 2 is a front elevational view thereof;

FIG. 3 is a perspective view showing the design partially opened;

FIG. 4 is a perspective view showing the design completely opened;

FIG. 5 is a rear and right side perspective view of FIG. 4; and,

FIG. 6 is a rear and right side perspective view of FIGS. 1 and 2.

The surface(s) or portion(s) of the article not shown in the drawings or described in the specification form(s) no part of the claimed design.

[56] References Cited

U.S. PATENT DOCUMENTS

| | | | | |
|------------|---------|----------|-------|----------|
| D. 53,645 | 7/1919 | Taylor | | D8/91 |
| D. 219,726 | 1/1971 | Van Horn | | D8/91 |
| D. 349,361 | 8/1994 | Hartmann | | D28/57 |
| D. 350,218 | 8/1994 | Thomas | | D28/59 |
| 385,914 | 7/1888 | Curley | | 132/75.4 |
| 825,212 | 7/1906 | Henkel | | 132/76.2 |
| 870,604 | 11/1907 | Willis | | 132/75.4 |
| 1,203,869 | 11/1916 | Hale | | 132/76.5 |
| 1,312,653 | 8/1919 | Watrous | | 132/75.6 |
| 1,520,488 | 12/1924 | Tone | | 451/540 |

1 Claim, 3 Drawing Sheets

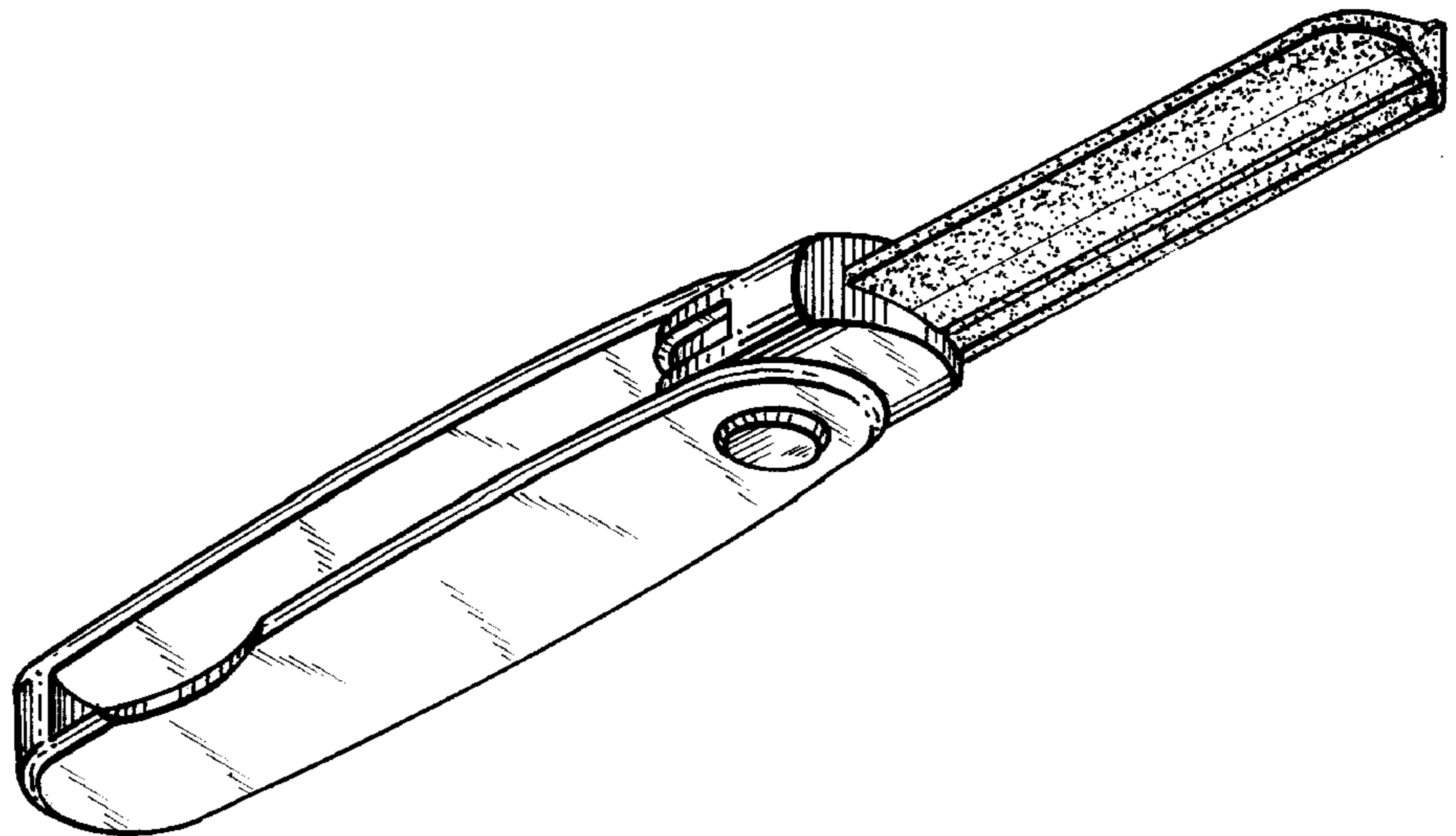
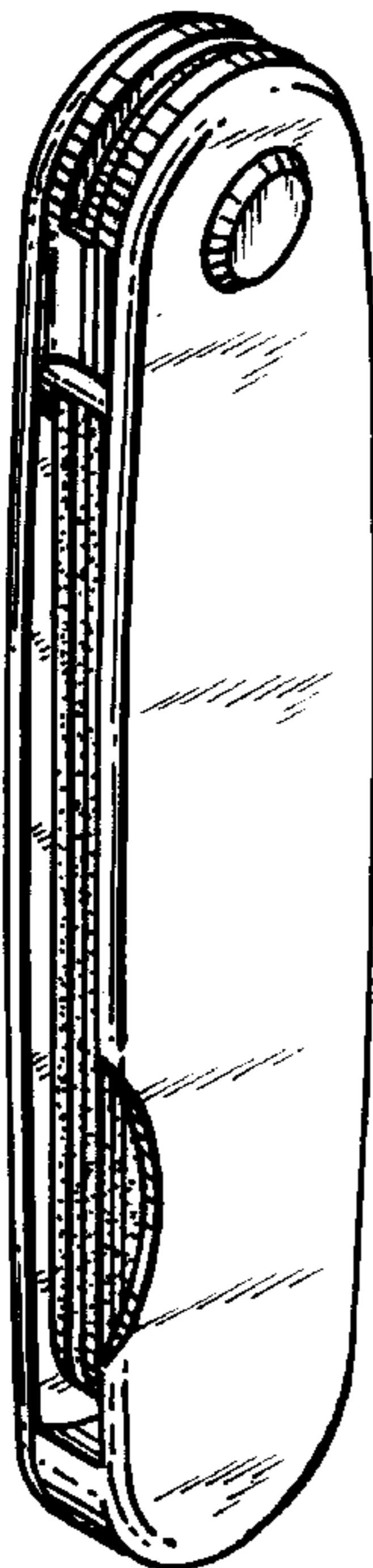


FIG.1

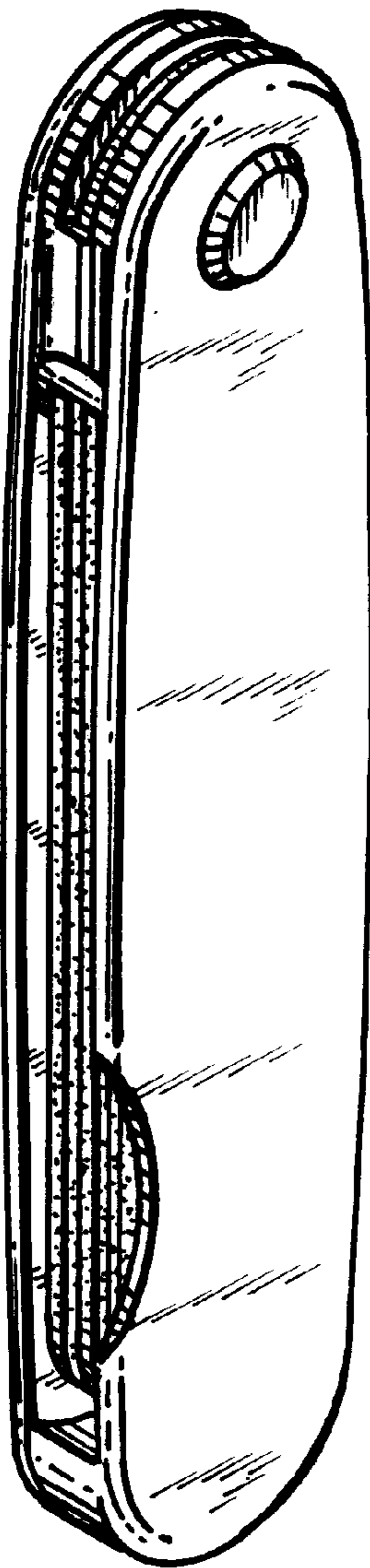


FIG.2

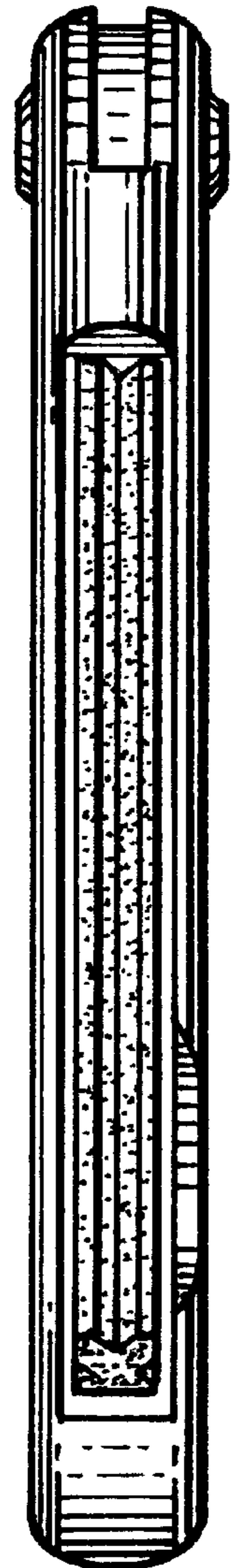


FIG.3

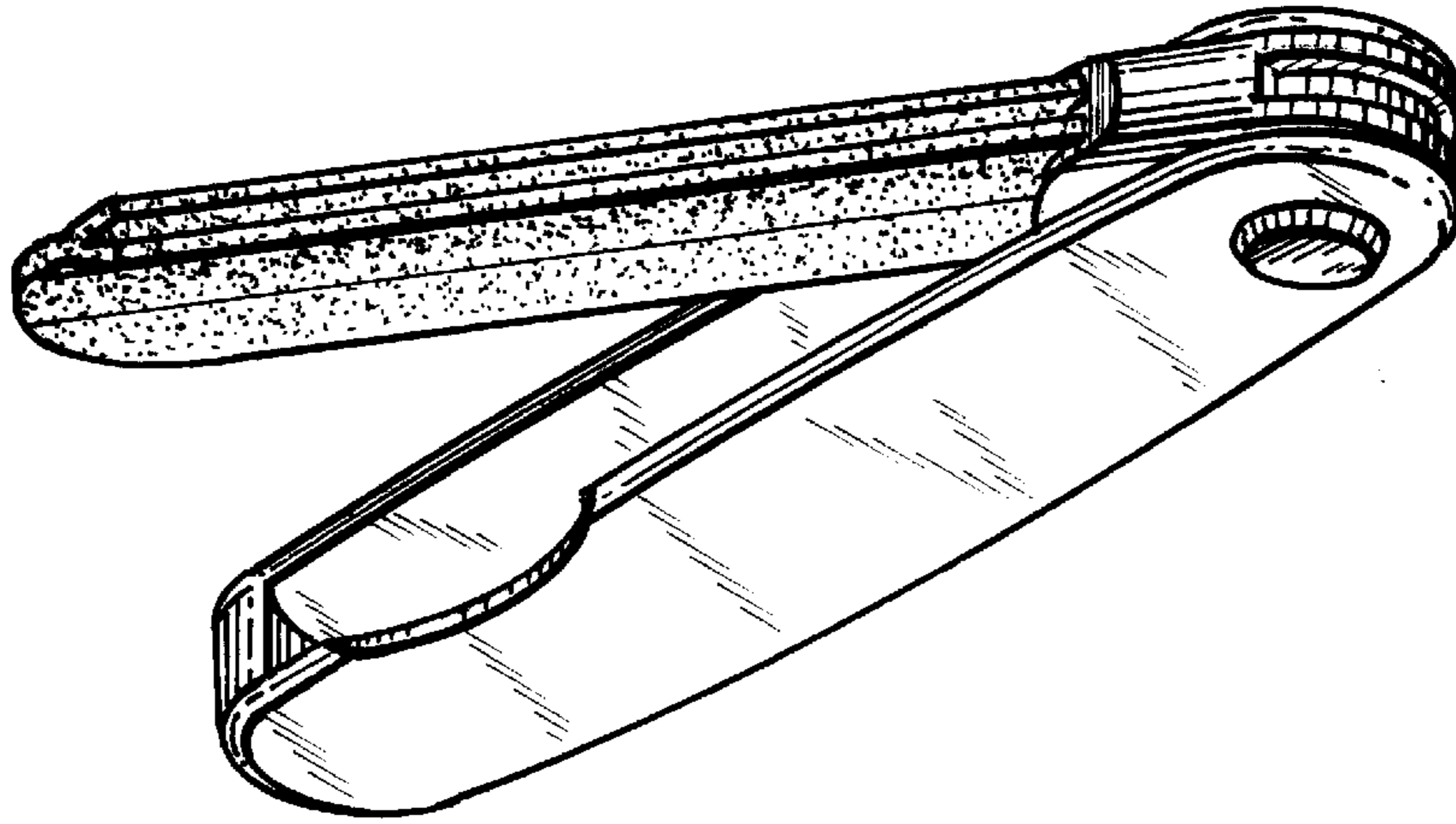


FIG.4

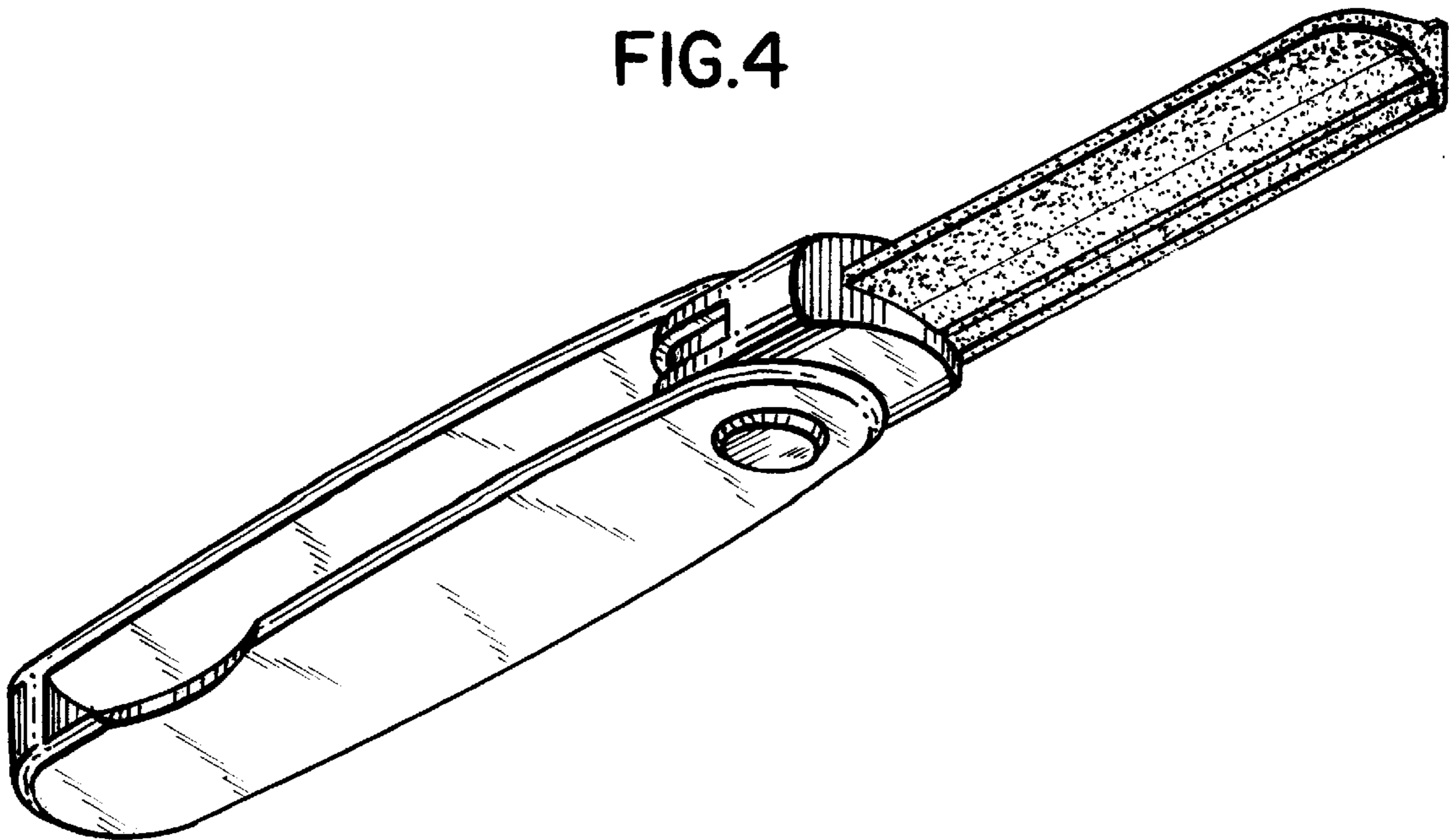


FIG.5

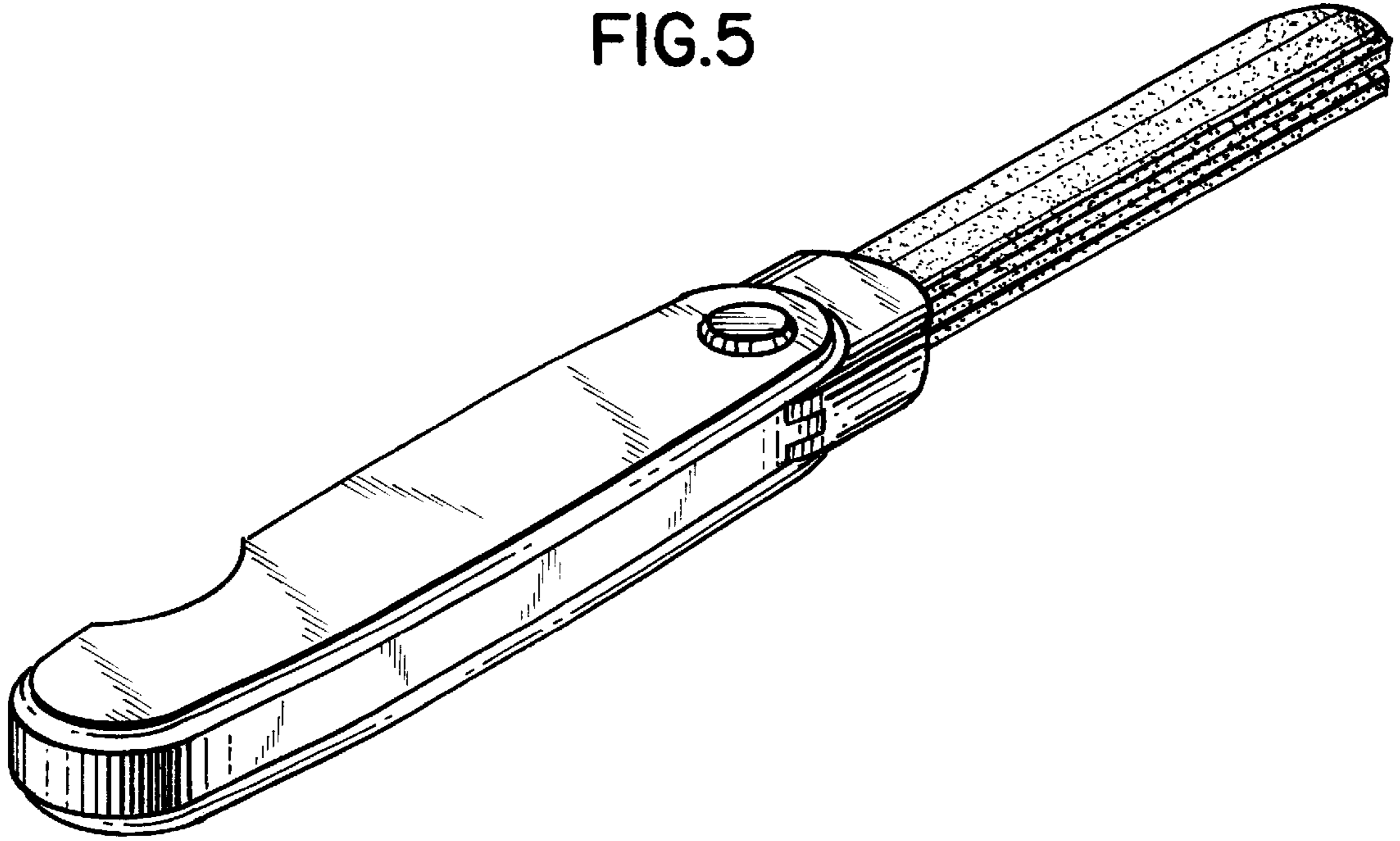


FIG.6

