



US00D435316S

United States Patent [19]

Chenvainu et al.

[11] Patent Number: Des. 435,316

[45] Date of Patent: ** Dec. 19, 2000

[54] SHAVING RAZOR

[75] Inventors: Alexander T. Chenvainu, Brookline; Franco Lodato, Walpole; David L. Pappas, Waltham, all of Mass.

[73] Assignee: The Gillette Company, Boston, Mass.

[**] Term: 14 Years

[21] Appl. No.: 29/098,551

[22] Filed: Dec. 31, 1998

[51] LOC (7) Cl. 28-03

[52] U.S. Cl. D28/48

[58] Field of Search D28/44-48; 30/32, 30/34.05, 34.1, 34.2, 47-51, 526-541

[56] References Cited

U.S. PATENT DOCUMENTS

D. 230,219	1/1974	Glaberson	D28/48
D. 250,664	12/1978	Kruger et al.	D28/46
D. 260,944	9/1981	Gray	D28/46
D. 346,880	5/1994	Meisner et al.	D28/48
D. 351,925	10/1994	Meisner et al.	D28/48
D. 352,568	11/1994	Meisner et al.	D28/48
D. 354,586	1/1995	Grange	D28/46
D. 355,049	1/1995	Yasui	D28/48
D. 381,121	7/1997	Shurtleff et al.	D28/46
D. 385,659	10/1997	Shurtleff	D28/48
D. 386,821	11/1997	Shurtleff et al.	D28/48
D. 396,129	7/1998	Gray	D28/46
D. 403,112	12/1998	Engel	D28/46
4,501,066	2/1985	Sceberras	30/50
4,638,560	1/1987	Higashi	30/47

4,720,917	1/1988	Solow	30/49
4,791,724	12/1988	Dumas	30/526
5,031,319	7/1991	Althaus et al.	..	
5,050,301	9/1991	Apprille, Jr.	30/529
5,157,835	10/1992	Lazarchik et al.	..	
5,426,853	6/1995	McNinch	30/527
5,497,551	3/1996	Apprille, Jr.	..	
5,604,983	2/1997	Simms et al.	30/49
5,687,485	11/1997	Shurtleff et al.	30/526
5,903,978	5/1999	Prochaska et al.	30/34.05

FOREIGN PATENT DOCUMENTS

0 418 726 A2	9/1989	European Pat. Off.	..
WO 97/09155	3/1997	WIPO	..
WO 97/44164	11/1997	WIPO	..

OTHER PUBLICATIONS

Photographs of Silk Effects prior art razor.

Primary Examiner—Catherine Tuttle
Attorney, Agent, or Firm—Fish & Richardson P.C.

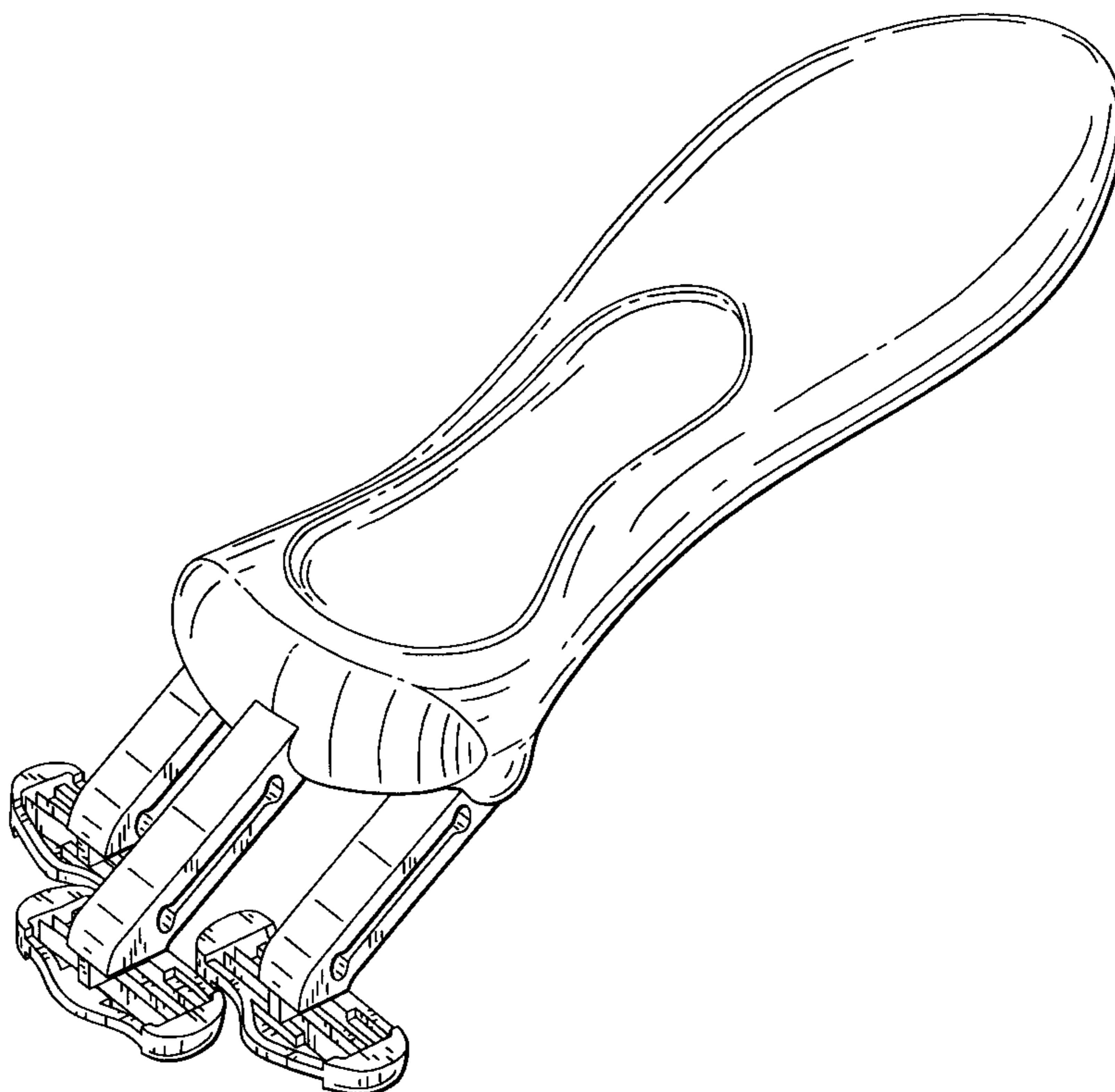
[57] CLAIM

The ornamental design for a shaving razor, as shown and described.

DESCRIPTION

FIG. 1 is a perspective view of a shaving razor; FIG. 2 is a top plan view thereof; and FIG. 3 is a bottom plan view thereof. FIG. 4 is a right side elevational view thereof, the left side view being a mirror image thereof; FIG. 5 is a front elevational view thereof; and, FIG. 6 is a back elevational view thereof.

1 Claim, 3 Drawing Sheets



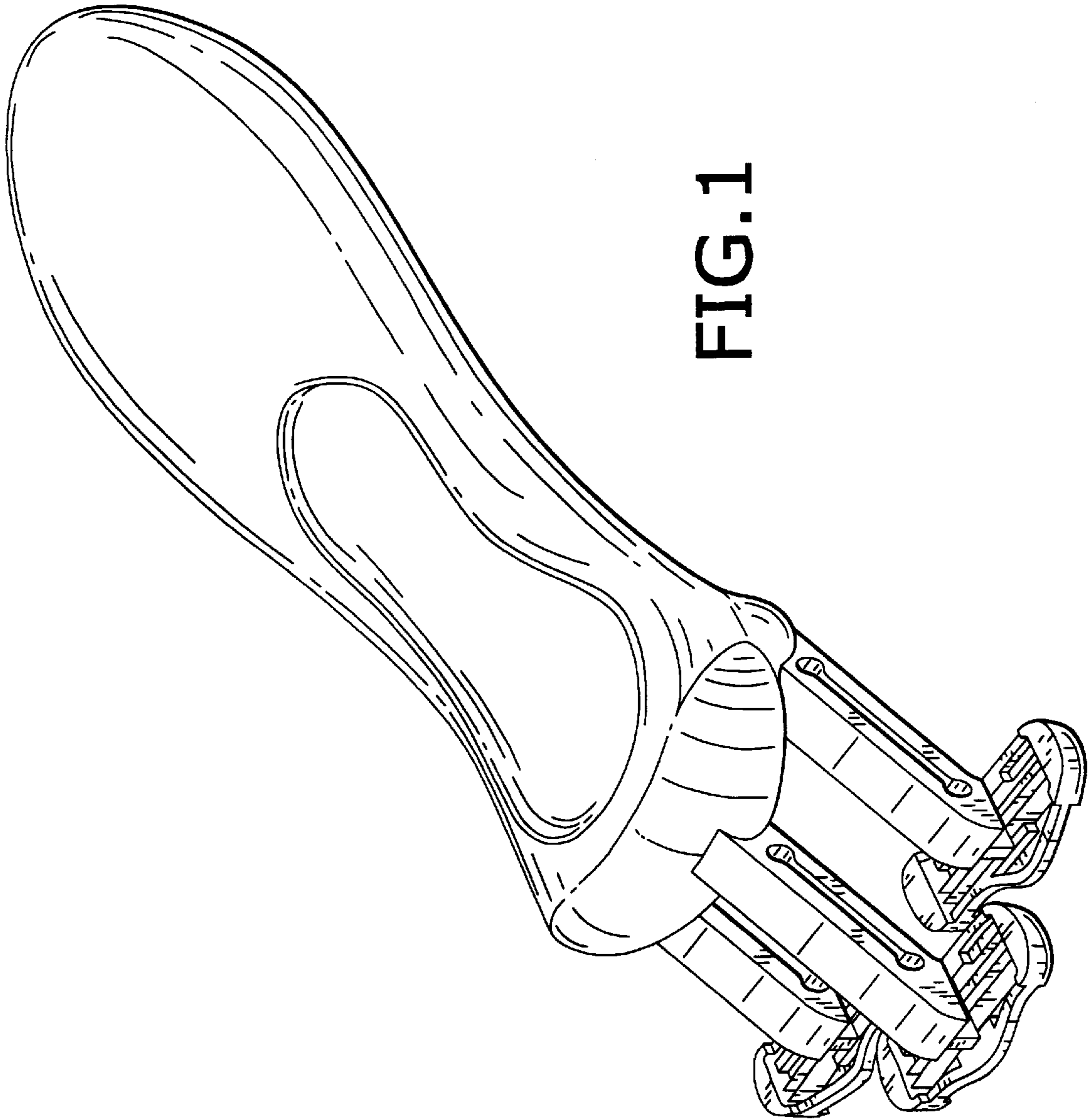


FIG. 1

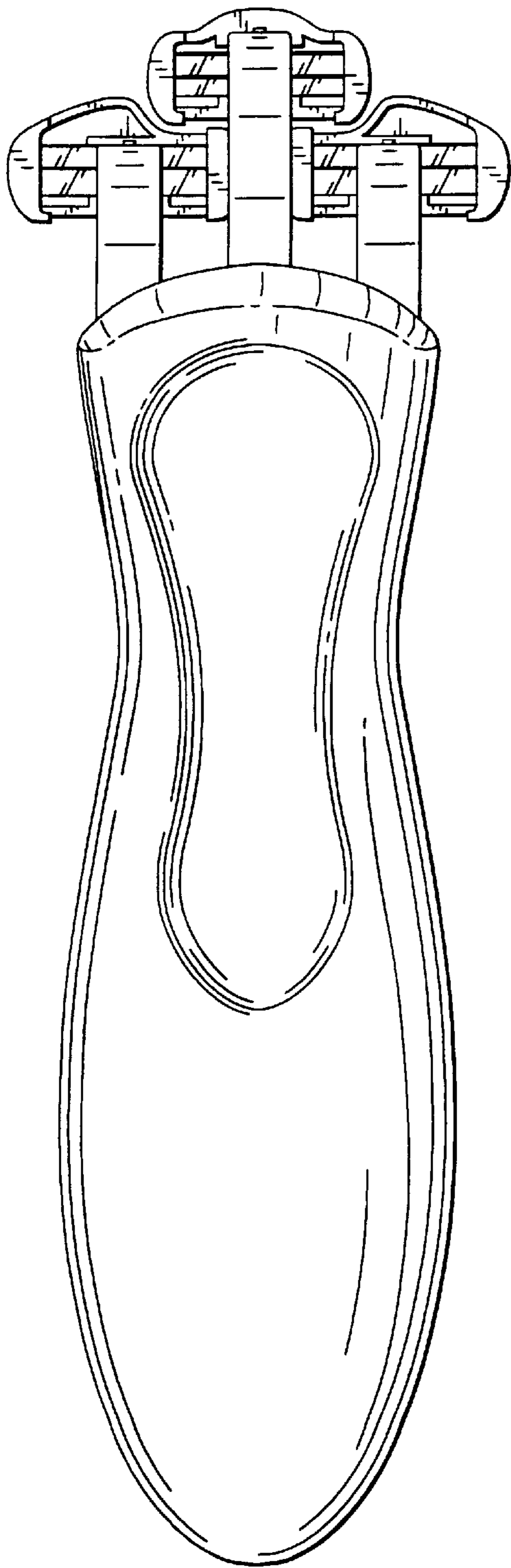


FIG. 2

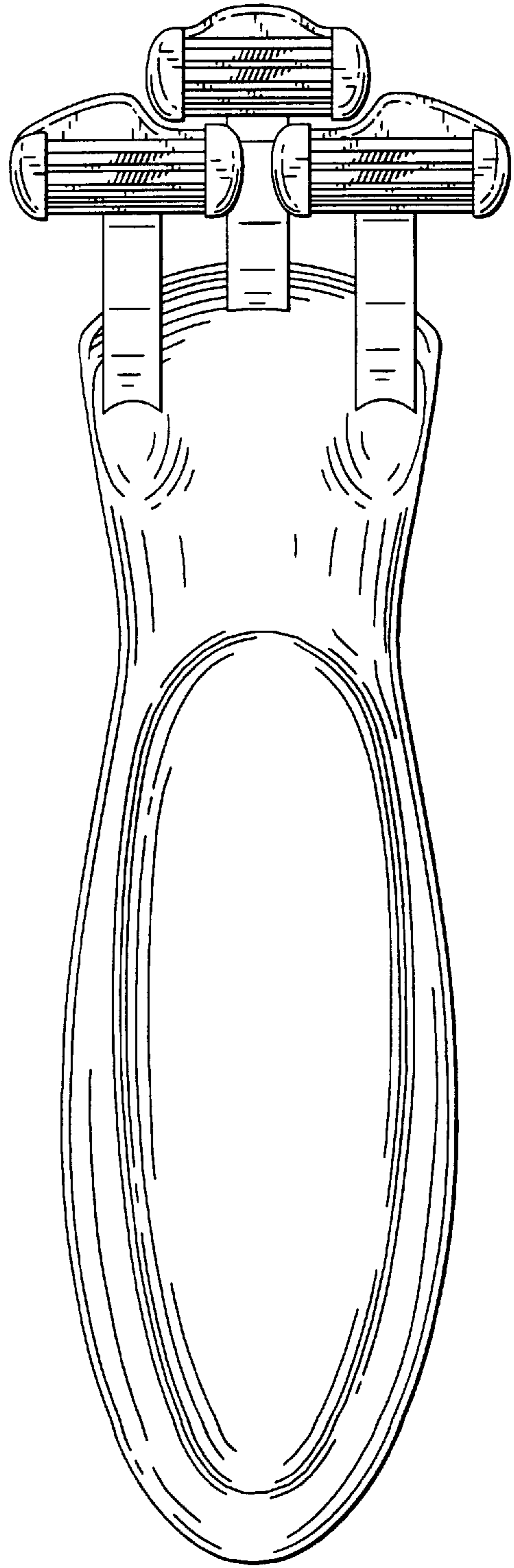


FIG. 3

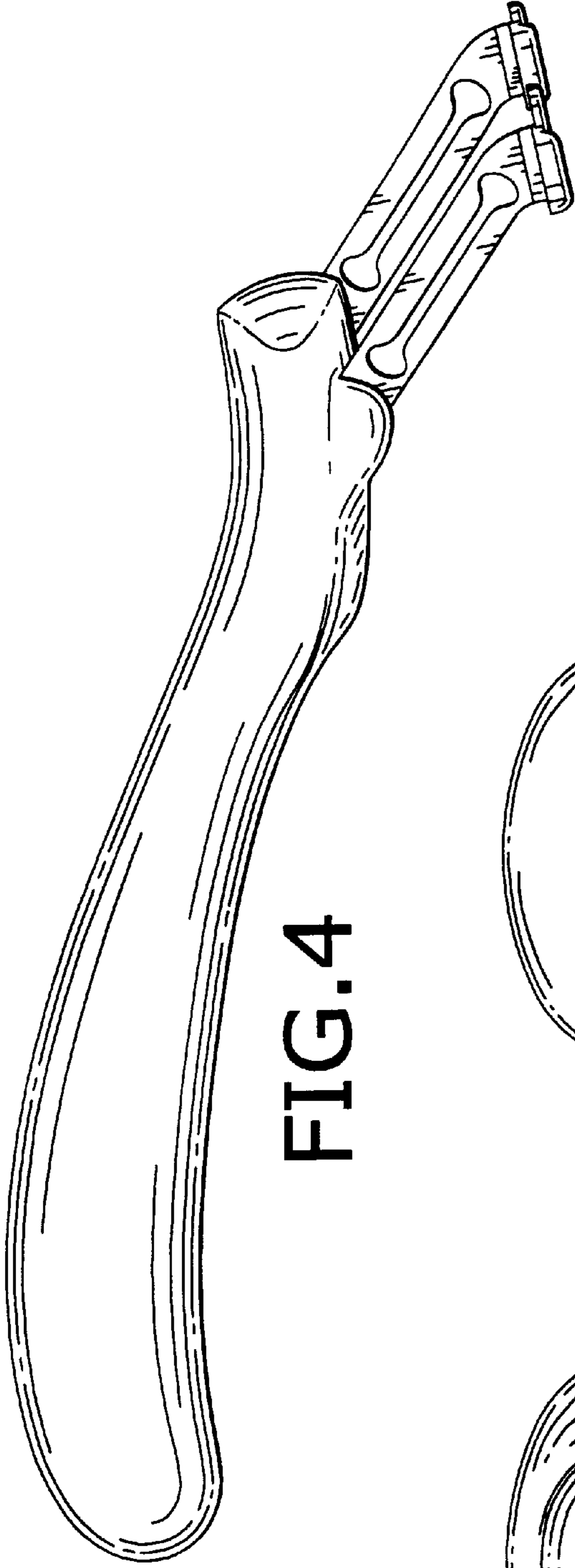


FIG. 4

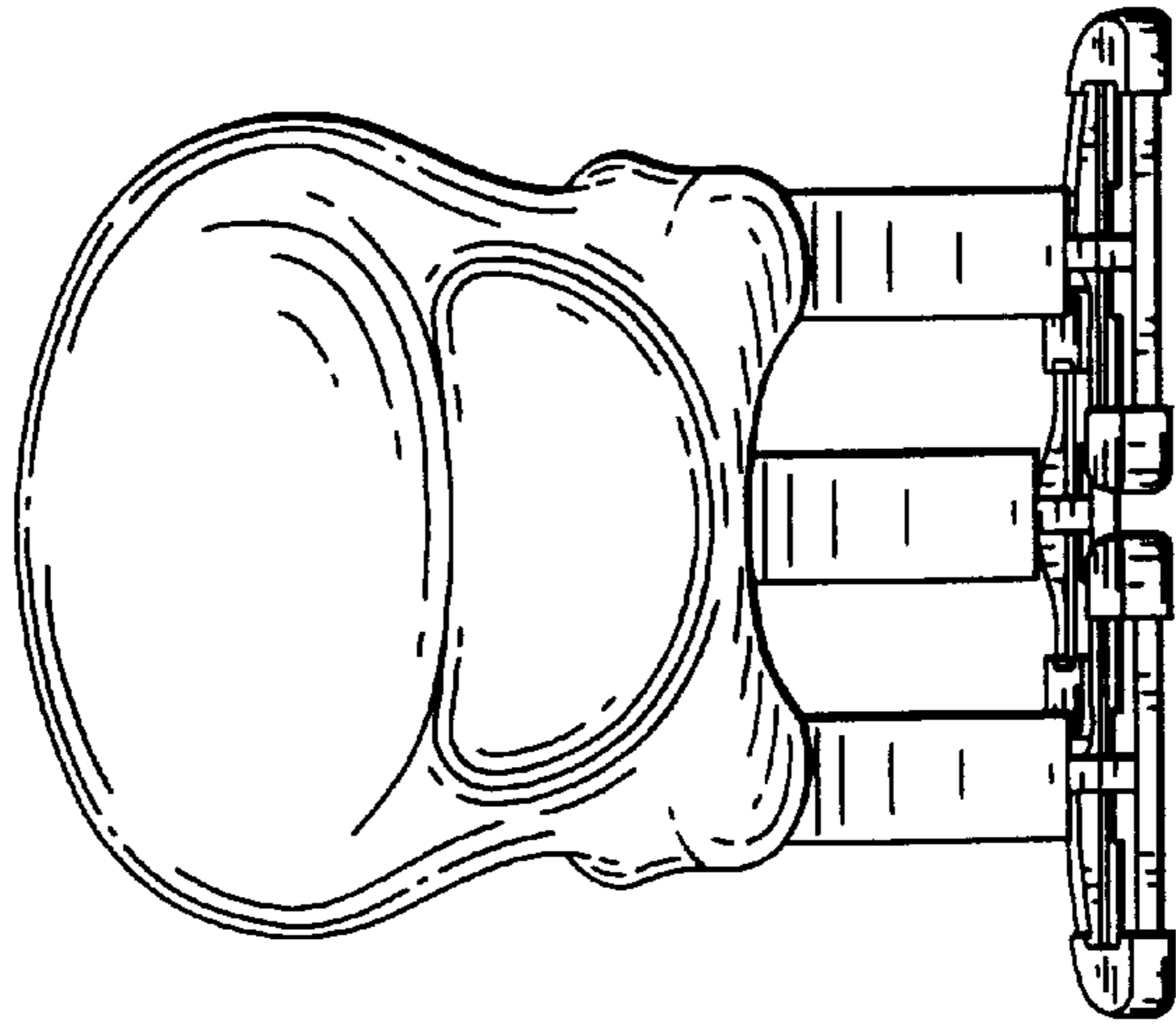


FIG. 6

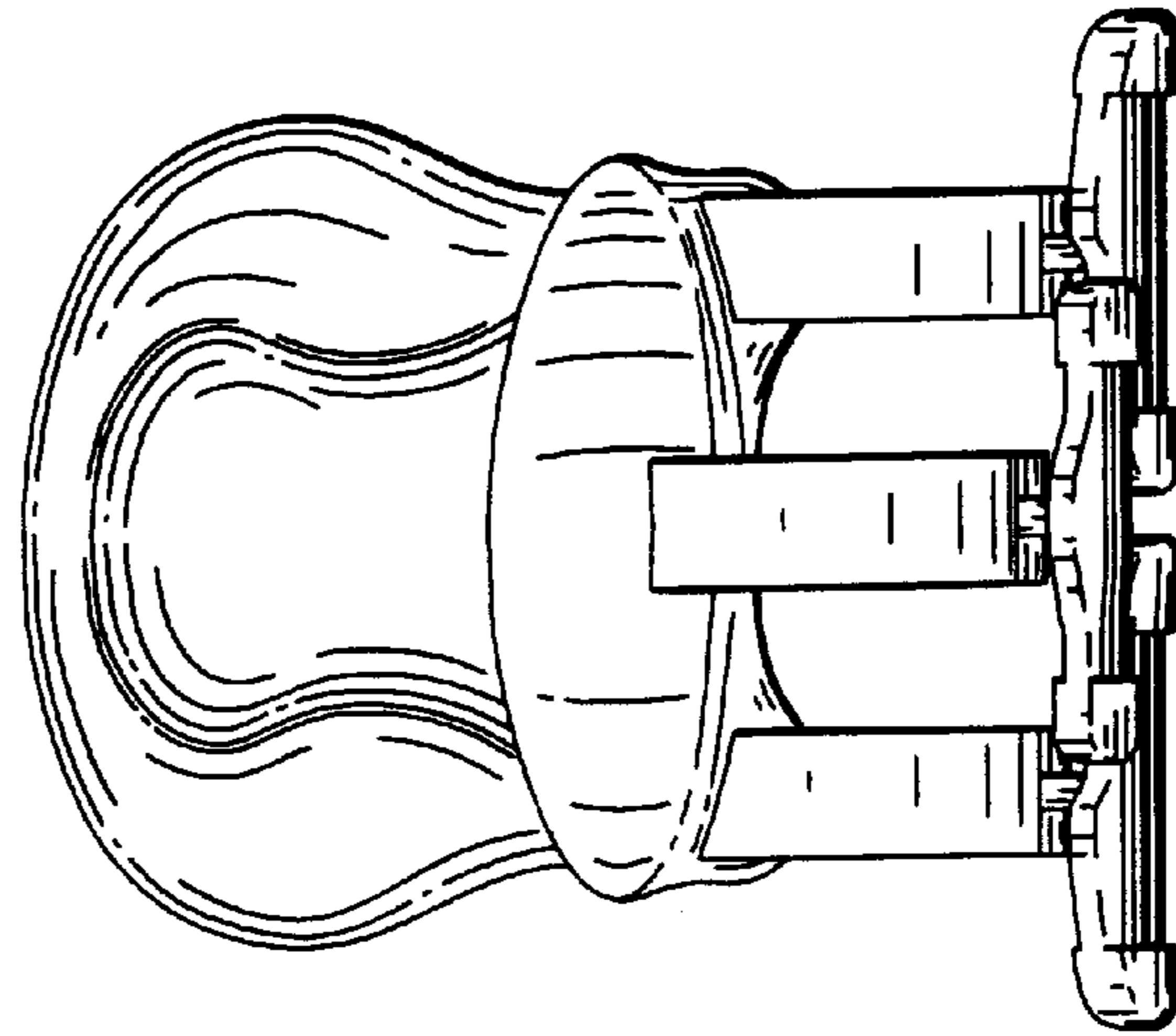


FIG. 5