



US00D435307S

United States Patent [19]
Sandell

[11] **Patent Number: Des. 435,307**

[45] **Date of Patent: ** Dec. 19, 2000**

[54] **LIGHT FIXTURE**

[75] Inventor: **Donald R. Sandell**, San Jose, Calif.

[73] Assignee: **Desa Patent Holdings Corporation**,
Bowling Green, Ky.

[**] Term: **14 Years**

[21] Appl. No.: **29/074,174**

[22] Filed: **Jul. 28, 1997**

[51] **LOC (7) Cl.** **26-05**

[52] **U.S. Cl.** **D26/67; D26/71; D26/85**

[58] **Field of Search** D26/72, 75, 76,
D26/80, 85, 86, 87, 91, 92, 67, 68, 69,
70, 71; 362/147, 432, 431

[56] **References Cited**

U.S. PATENT DOCUMENTS

D. 114,805	5/1939	Brooks	D26/85
D. 214,938	8/1969	Pettingill	D26/85
D. 251,930	5/1979	Didone	D26/68

OTHER PUBLICATIONS

Grainger General Catalog No. 380, p. 766, 1991.
American Electric promotional literature, pp. 4, 5, 11, 1985.
Regent Lighting promotional literature, pp. 21, 23, 24, prior
to Jul. 1997.
Intelectron promotional literature, pp. 13–15, prior to Jul.
1997.

Primary Examiner—Susan J. Lucas
Attorney, Agent, or Firm—Jones, Day, Reavis & Pogue

[57] **CLAIM**

The ornamental design for a light fixture, as shown and described.

DESCRIPTION

FIG. 1 is a perspective view of a first embodiment of a floodlight housing showing my new design, with the broken line shown for illustrative purposes only and forming no part of the claimed design;

FIG. 2 is a perspective view of the floodlight housing of FIG. 1 without the broken line;

FIG. 3 is a front elevational view of the floodlight housing of FIG. 1 without the broken line;

FIG. 4 is a right elevational view of the floodlight housing of FIG. 1 with the broken line; the left elevational view is a mirror image;

FIG. 5 is a rear elevational view thereof with the broken line; FIG. 6 is a top plan view thereof with the broken line; and FIG. 7 is a bottom plan view thereof.

FIG. 8 is a perspective view of a second embodiment of a floodlight housing showing my new design, with the broken line shown for illustrative purposes only and forming no part of the claimed design;

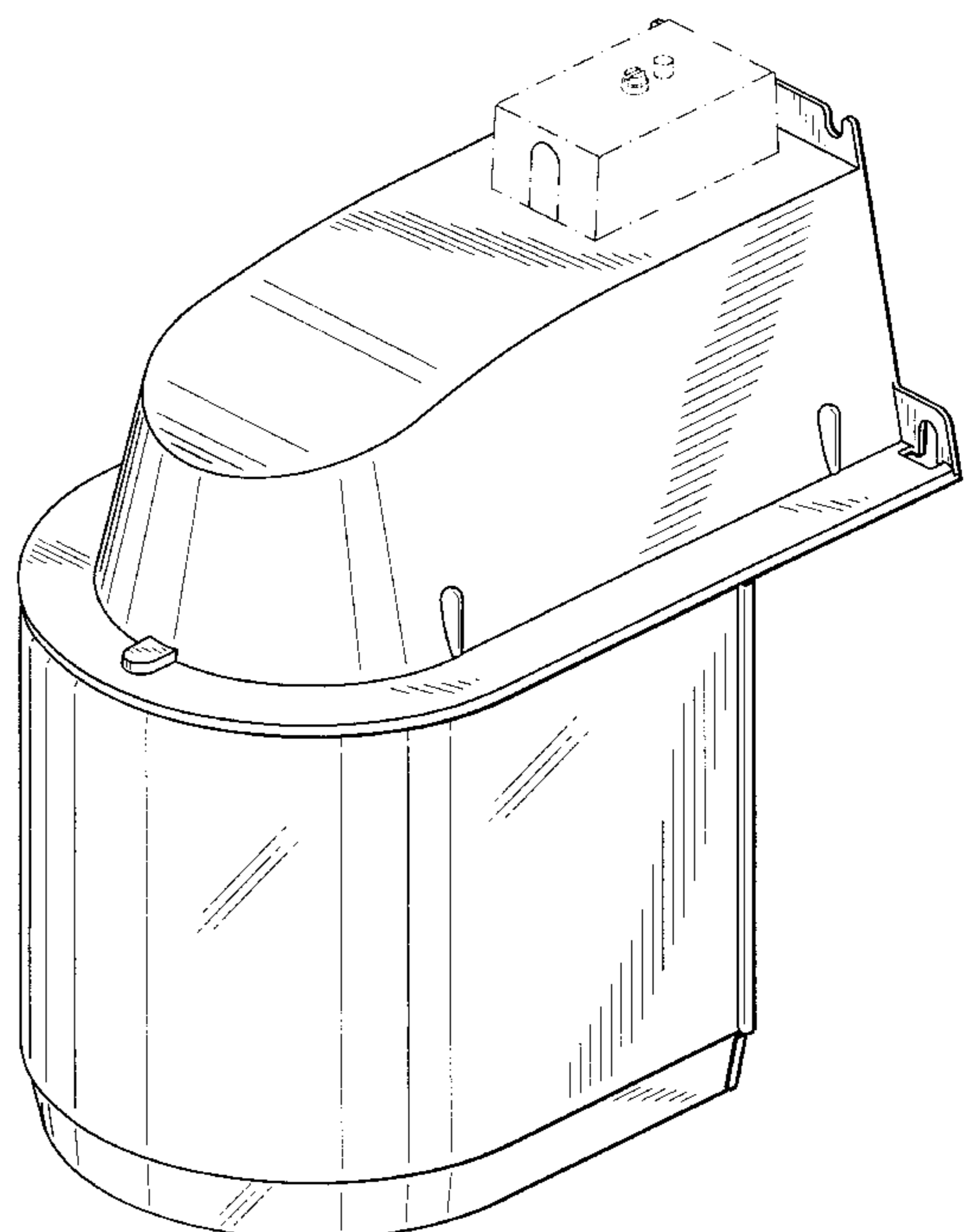
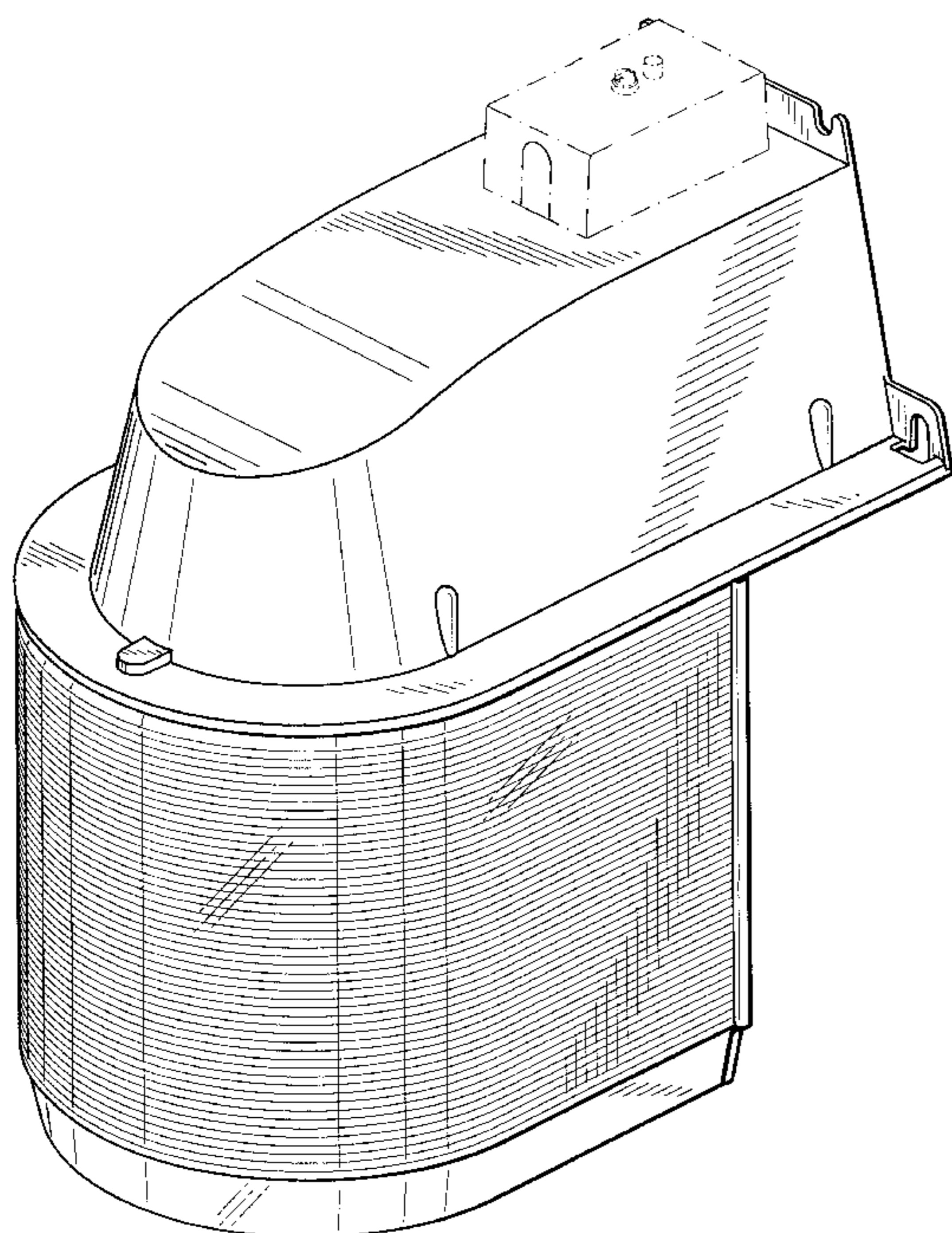
FIG. 9 is a front elevational view of the floodlight housing of FIG. 8 without the broken line portion; and,

FIG. 10 is a right elevational view thereof with the broken line; the left elevational view is a mirror image.

The rear elevational view and the top and bottom plan views of the embodiment of FIG. 8 are identical to FIGS. 5, 6 and 7.

A characteristic feature of the design resides in the overall “D”-shaped outline of the fixture such as seen most readily in the top and bottom plan views of FIGS. 6 and 7 and the perspective views of FIGS. 1 and 8.

1 Claim, 10 Drawing Sheets



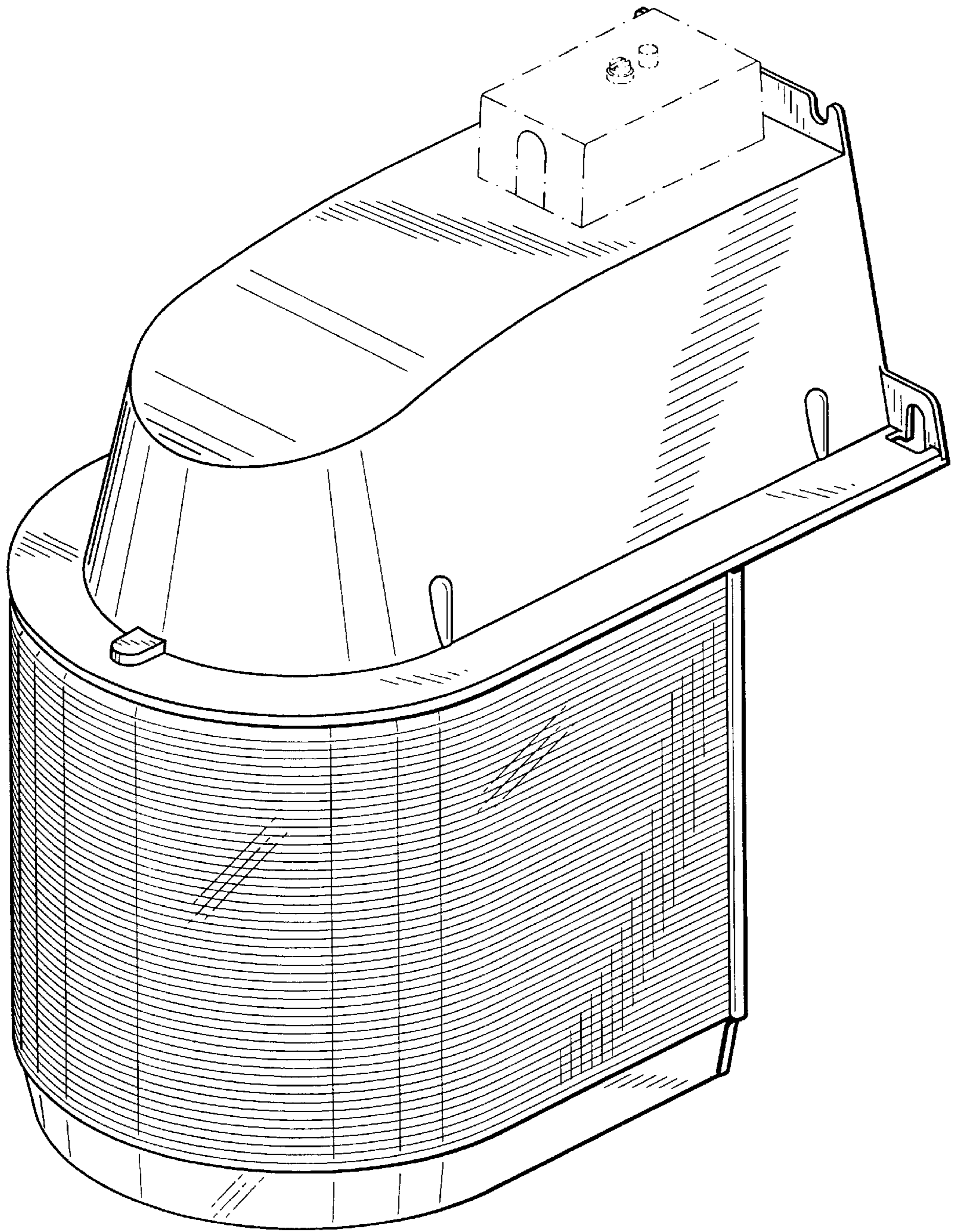


FIG. 1

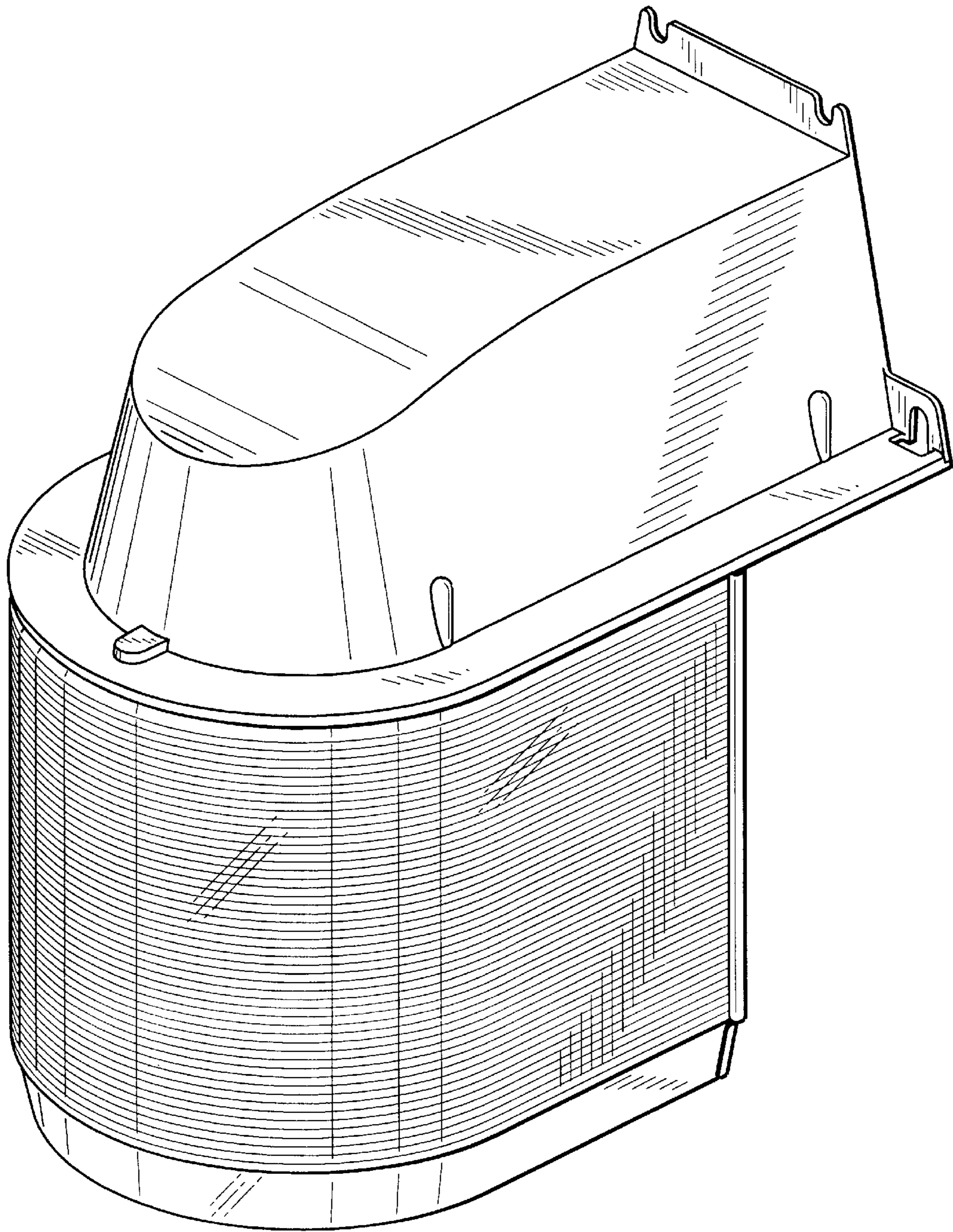


FIG.-2

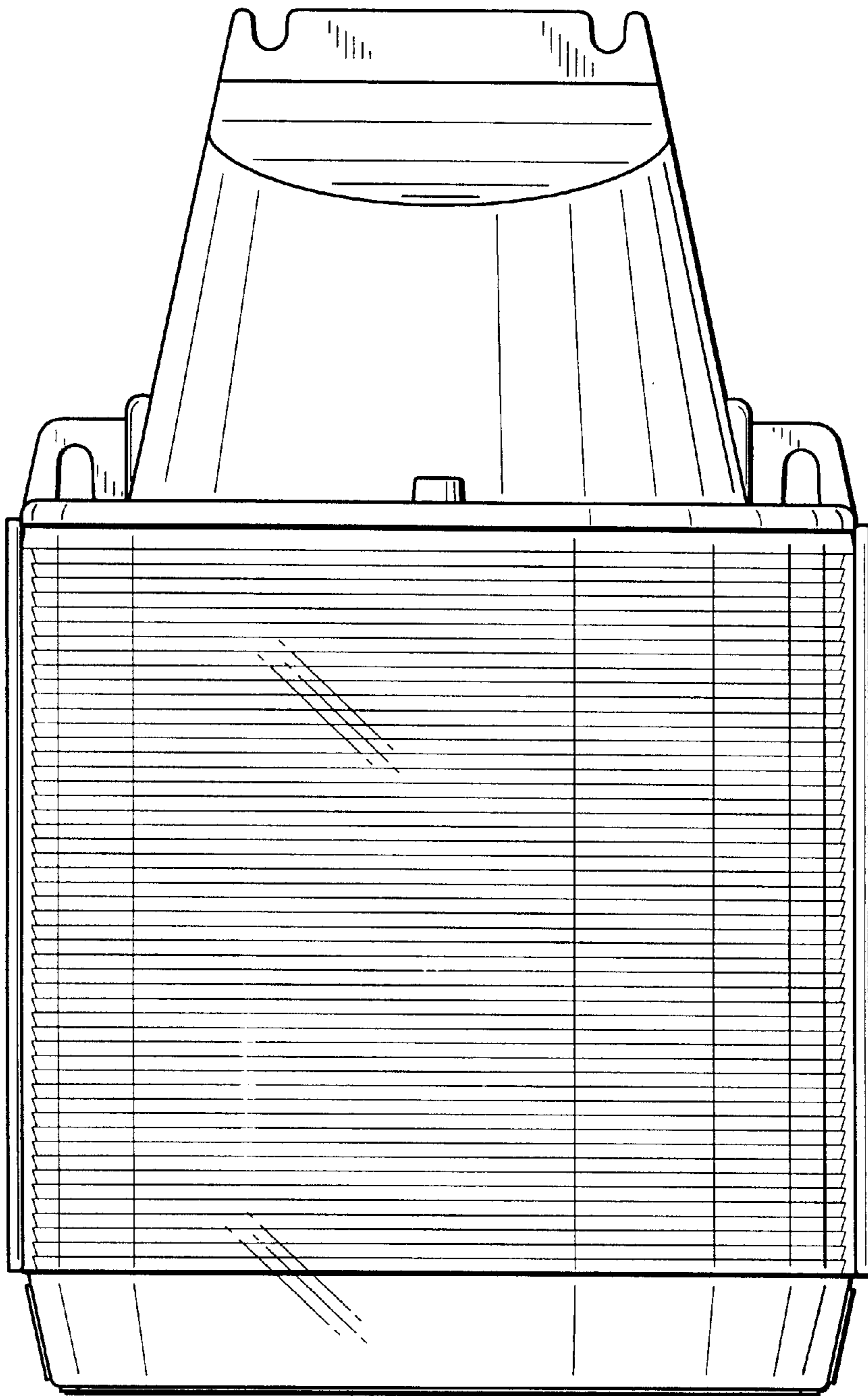


FIG. 3

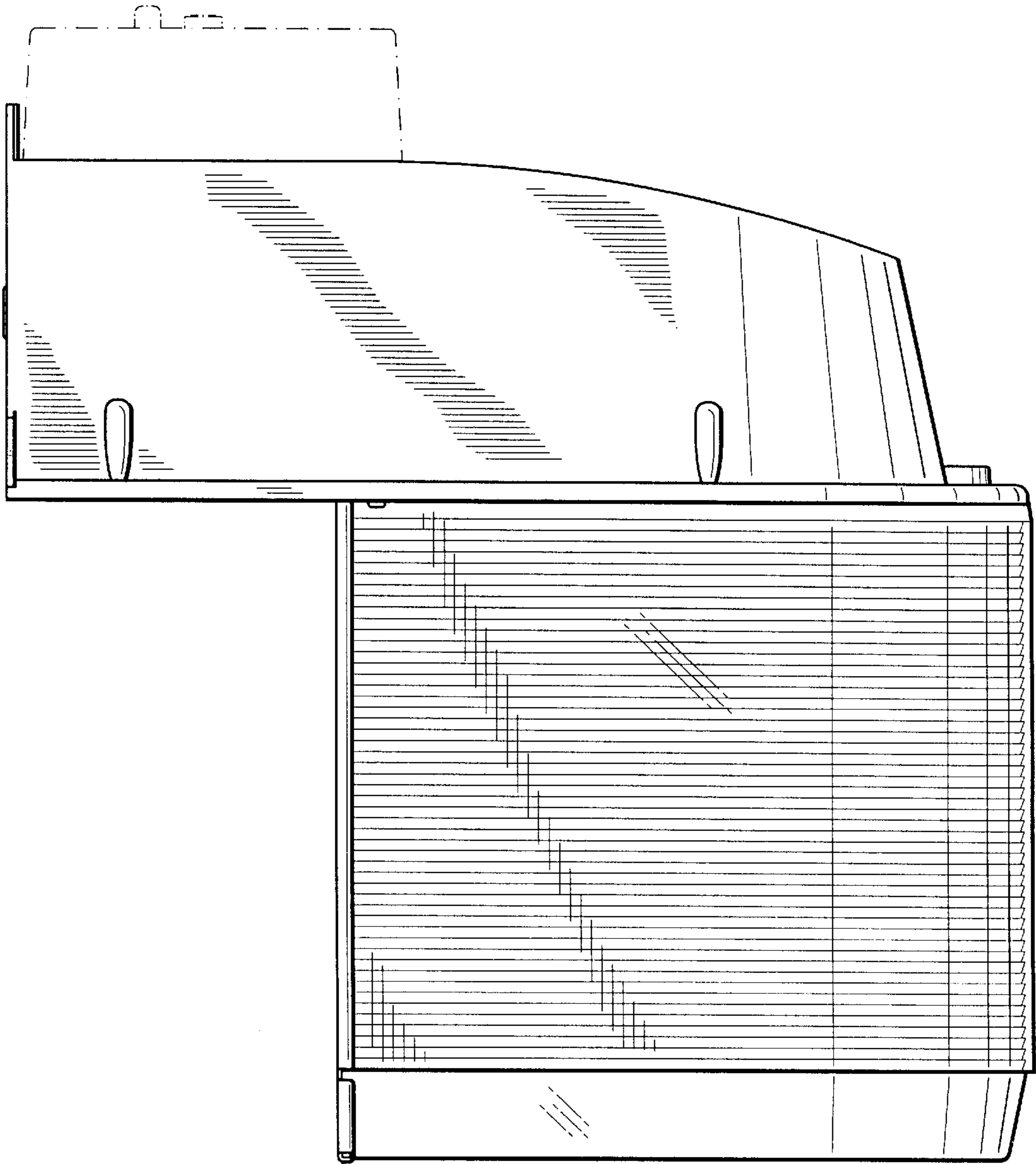


FIG. 4

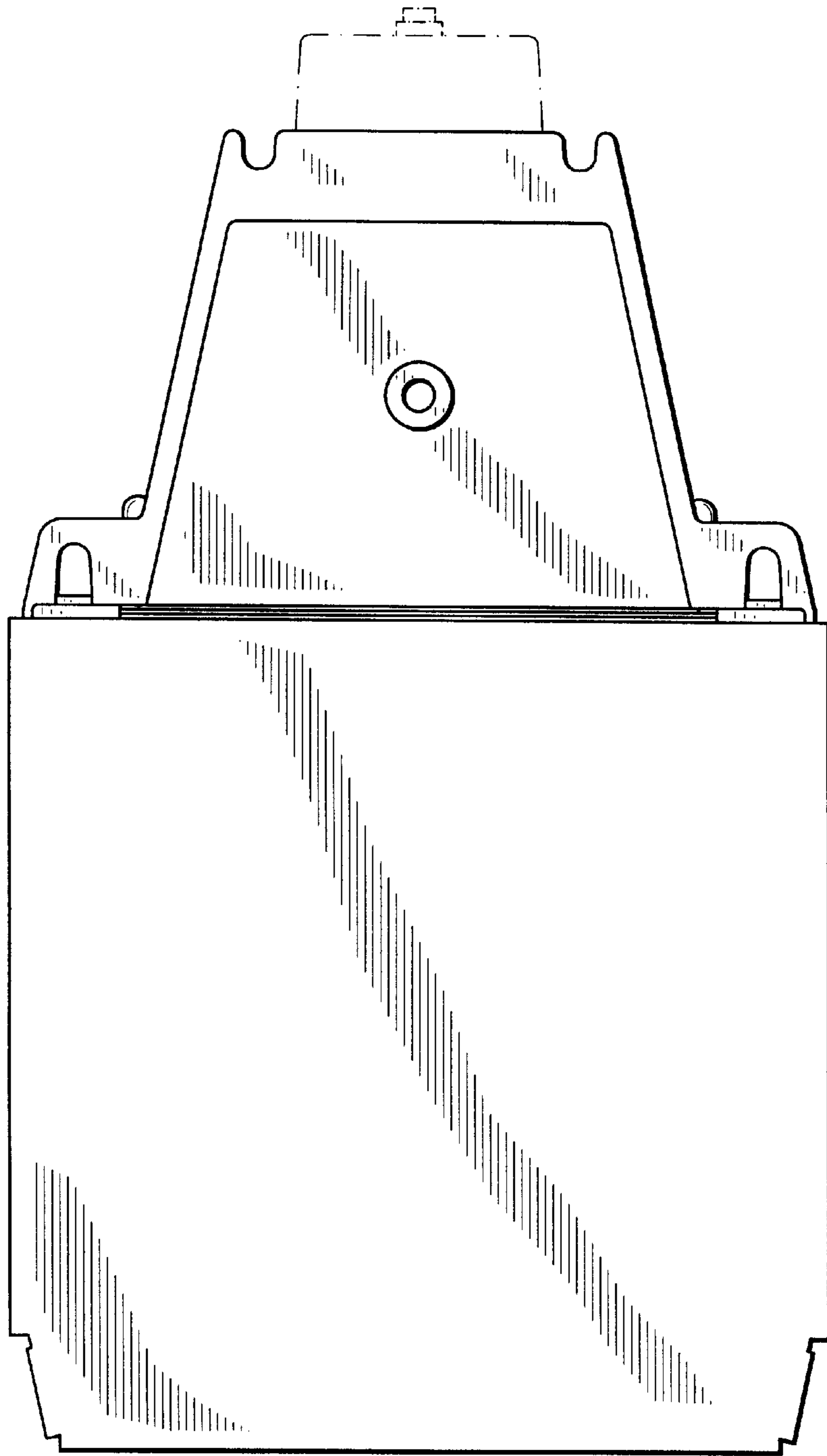


FIG. 5

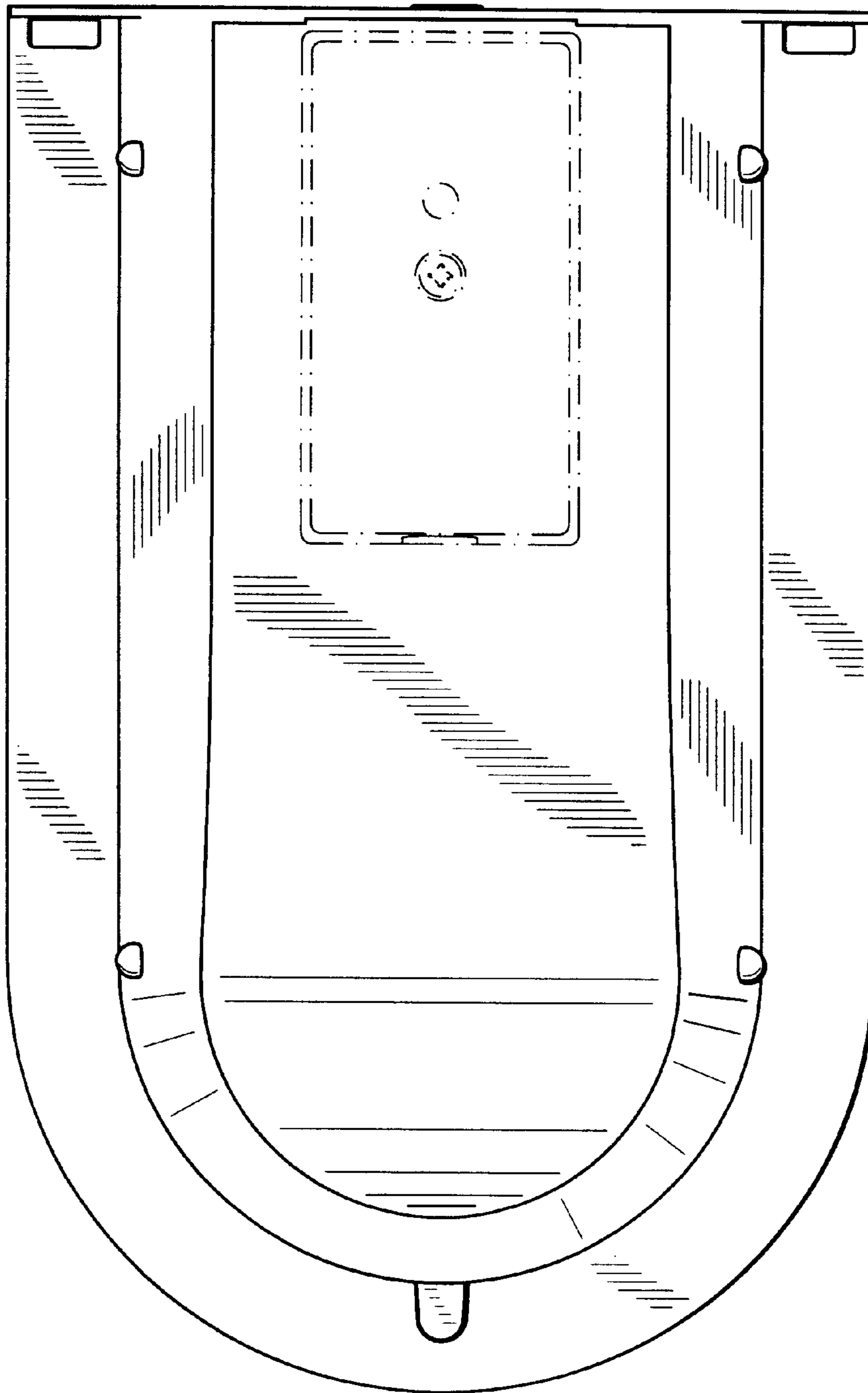


FIG. 6

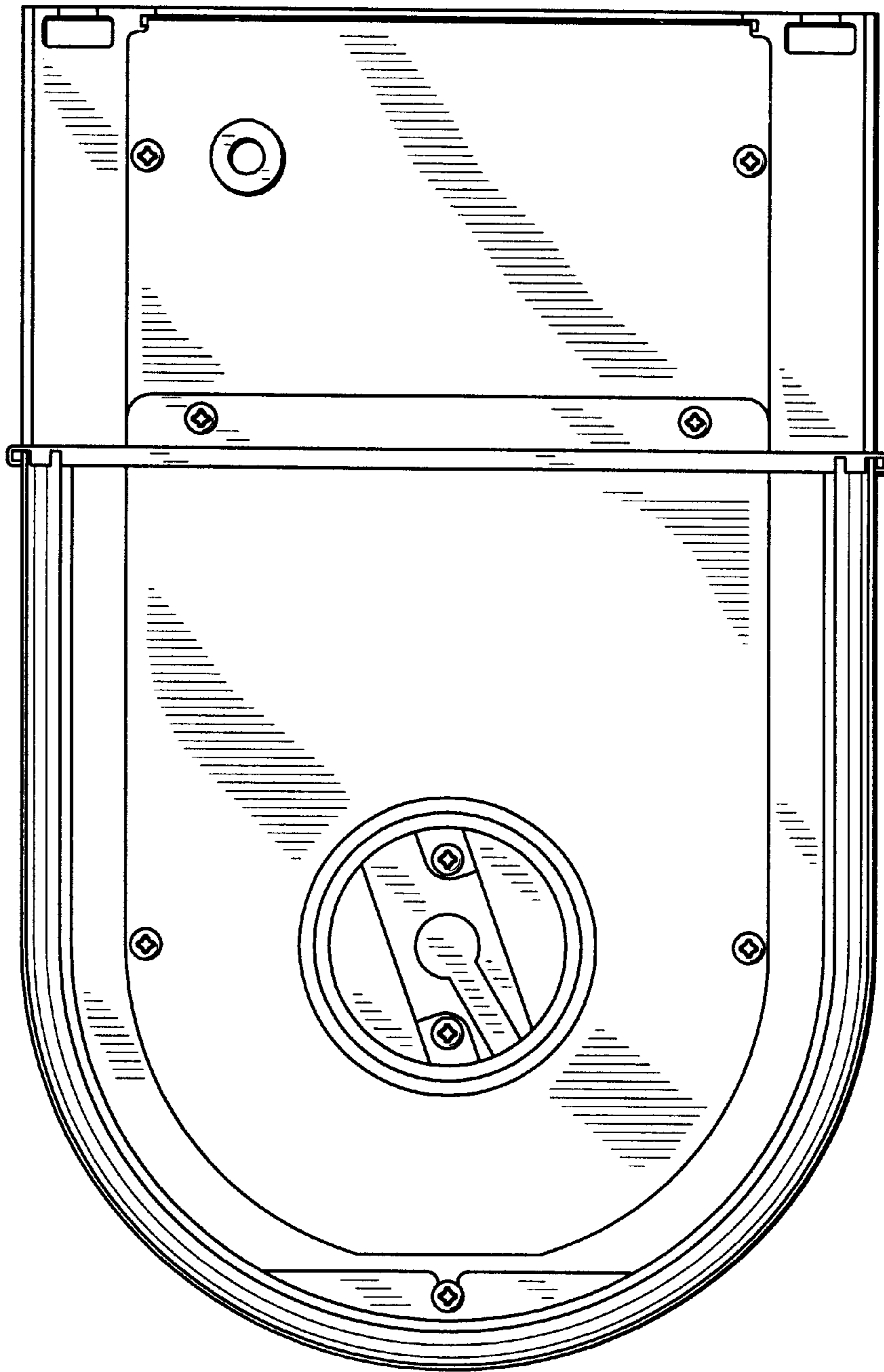


FIG. 7

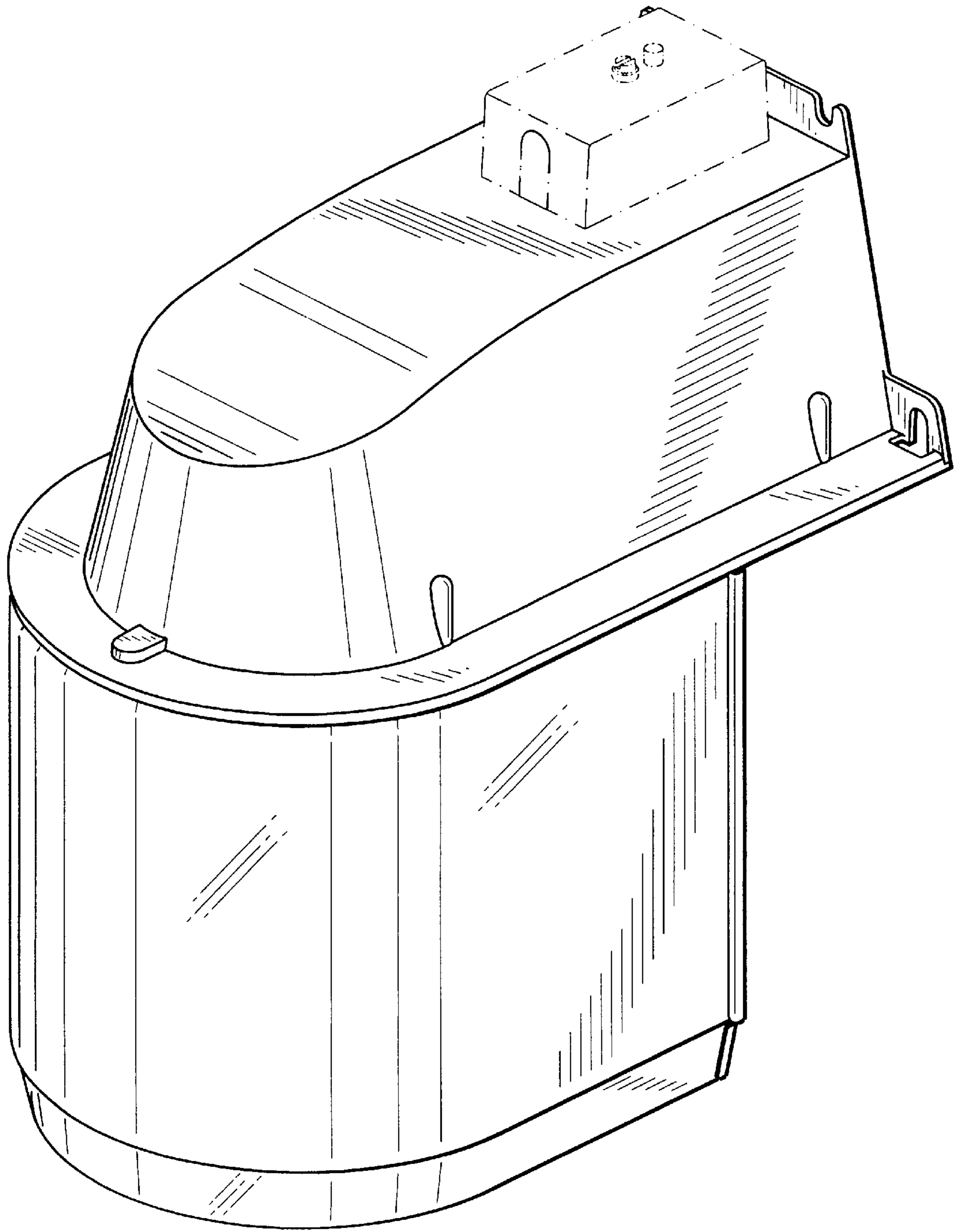


FIG._8

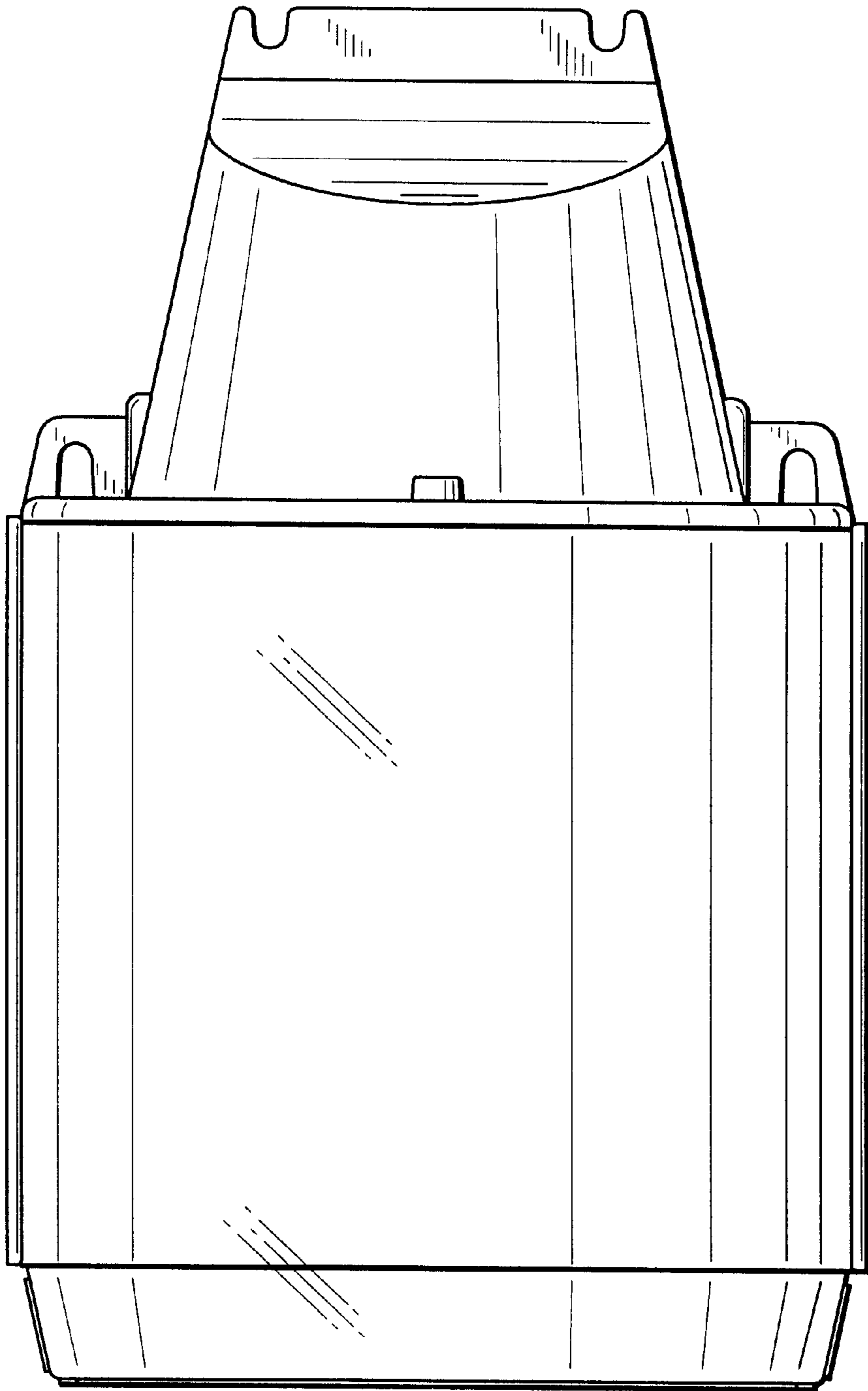


FIG. 9

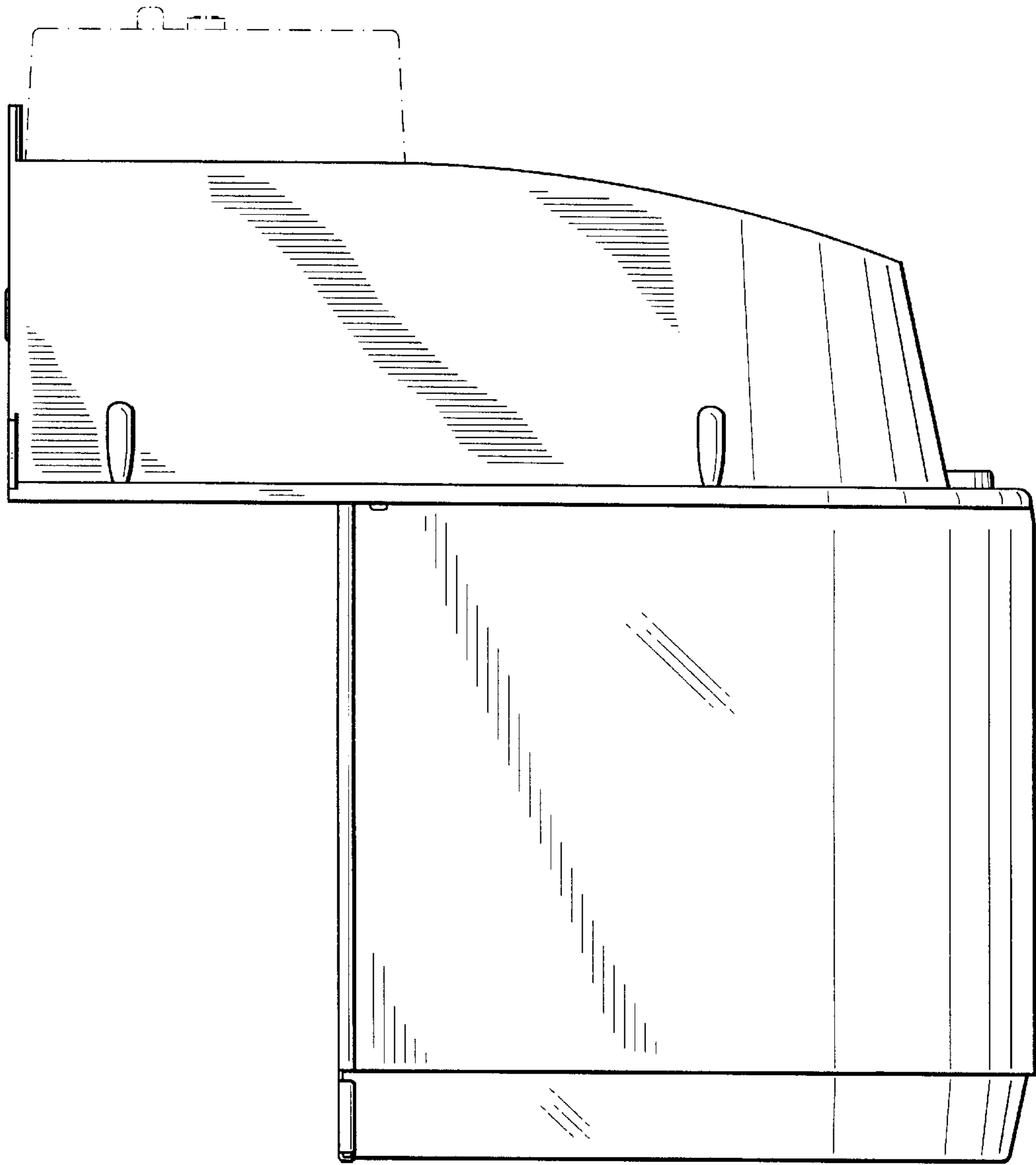


FIG. 10