



US00D435303S

United States Patent [19]

[11] Patent Number: Des. 435,303

Peppard et al.

[45] Date of Patent: ** Dec. 19, 2000

[54] FLUID-CONTAINMENT WALL SEGMENT

[75] Inventors: **Dennis L. Peppard; Peter J. Schulte**, both of Casper, Wyo.; **Thomas B. Eckert**, Columbia, Md.; **Gary Zitterkope**, Casper, Wyo.; **Randal G. Hebbert**, Casper, Wyo.; **Sheldon S. Wood**, Casper, Wyo.; **Jess Pena**, Yorba Linda, Calif.; **Richard H. Bostwick**, Casper, Wyo.

231,957	9/1880	Dyer	405/21
D. 374,728	10/1996	Bielert	D25/152
D. 385,362	10/1997	Rossetti	D25/58
3,886,751	6/1975	Porraz Jimenez Labora	405/15
4,904,113	2/1990	Goddard et al.	52/592.6
5,040,919	8/1991	Hendrix	405/91
5,454,195	10/1995	Hallsten	405/52
5,615,525	4/1997	Kenworthy	52/169.6
5,832,687	11/1998	Willemsen	52/592.6
5,911,540	6/1999	Adamson	405/43
5,992,102	11/1999	Ozawa	52/592.6
6,004,067	12/1999	Peppard	405/52

[73] Assignee: **Segment Systems, Inc.**, Casper, Wyo.

[**] Term: **14 Years**

[21] Appl. No.: **29/120,222**

[22] Filed: **Mar. 15, 2000**

Primary Examiner—Louis S. Zarfaz
Assistant Examiner—Robert A. Delehanty
Attorney, Agent, or Firm—Dean P. Edmundson

Related U.S. Application Data

[62] Division of application No. 29/071,996, Jun. 10, 1997, Pat. No. Des. 424,708.

[51] **LOC (7) Cl.** **25-01**

[52] **U.S. Cl.** **D25/113**

[58] **Field of Search** D21/484, 500, D21/501; D25/58-59, 108, 113-114, 152; 52/576, 591.3, 592.2, 592.3, 592.6; 404/191; 405/43, 47, 49, 52, 110, 284, 286, 287, 15, 91, 16, 19, 21, 107, 108, 111, 115, 222, 270

[57] CLAIM

The ornamental design for a fluid-containment wall segment, as shown and described.

DESCRIPTION

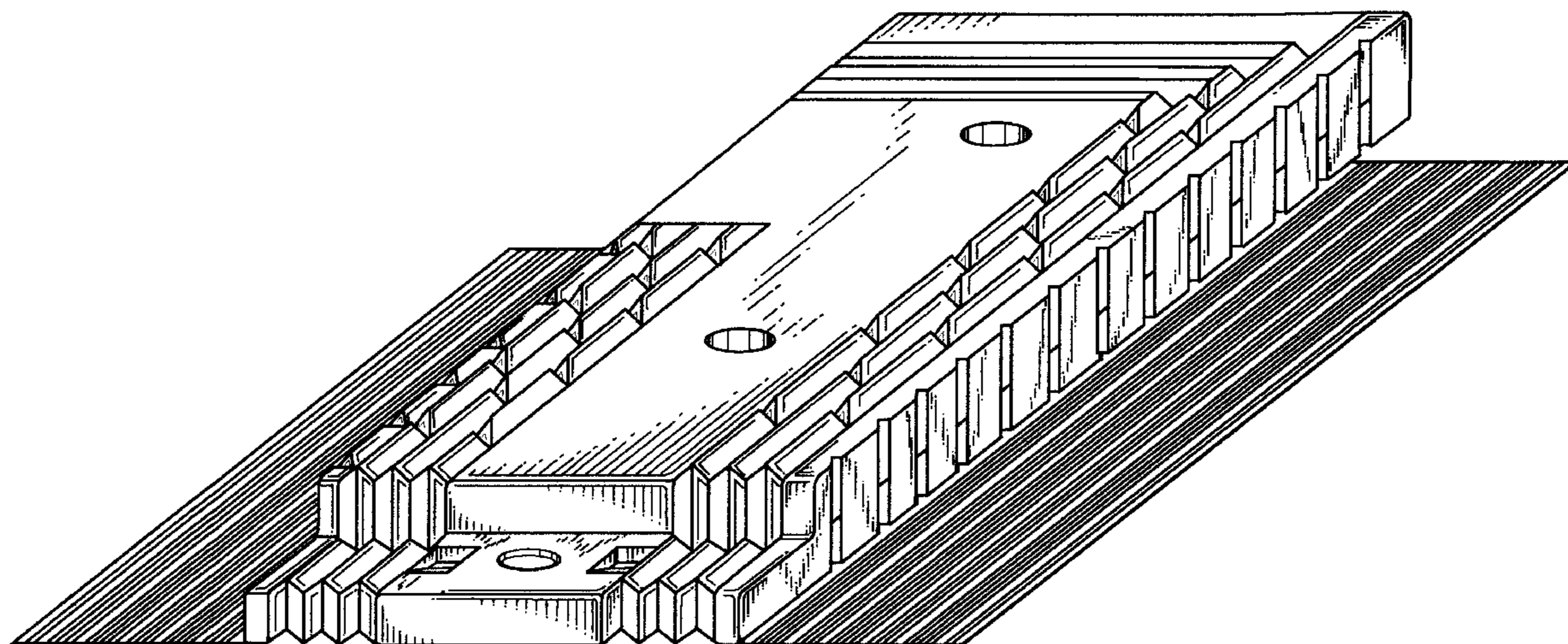
FIG. 1 is a front perspective view of one embodiment of a wall segment, showing our new design; FIG. 2 is a top plan view; FIG. 3 is a front elevational view; FIG. 4 is a left side elevational view; FIG. 5 is a right side elevational view; FIG. 6 is a rear elevational view; FIG. 7 is a bottom plan view; and, FIG. 8 is a front perspective view of another embodiment of a wall segment of our invention, which is a mirror image of the embodiment shown in FIGS. 1-7.

[56] References Cited

U.S. PATENT DOCUMENTS

122,738 1/1872 Russell 405/52

1 Claim, 4 Drawing Sheets



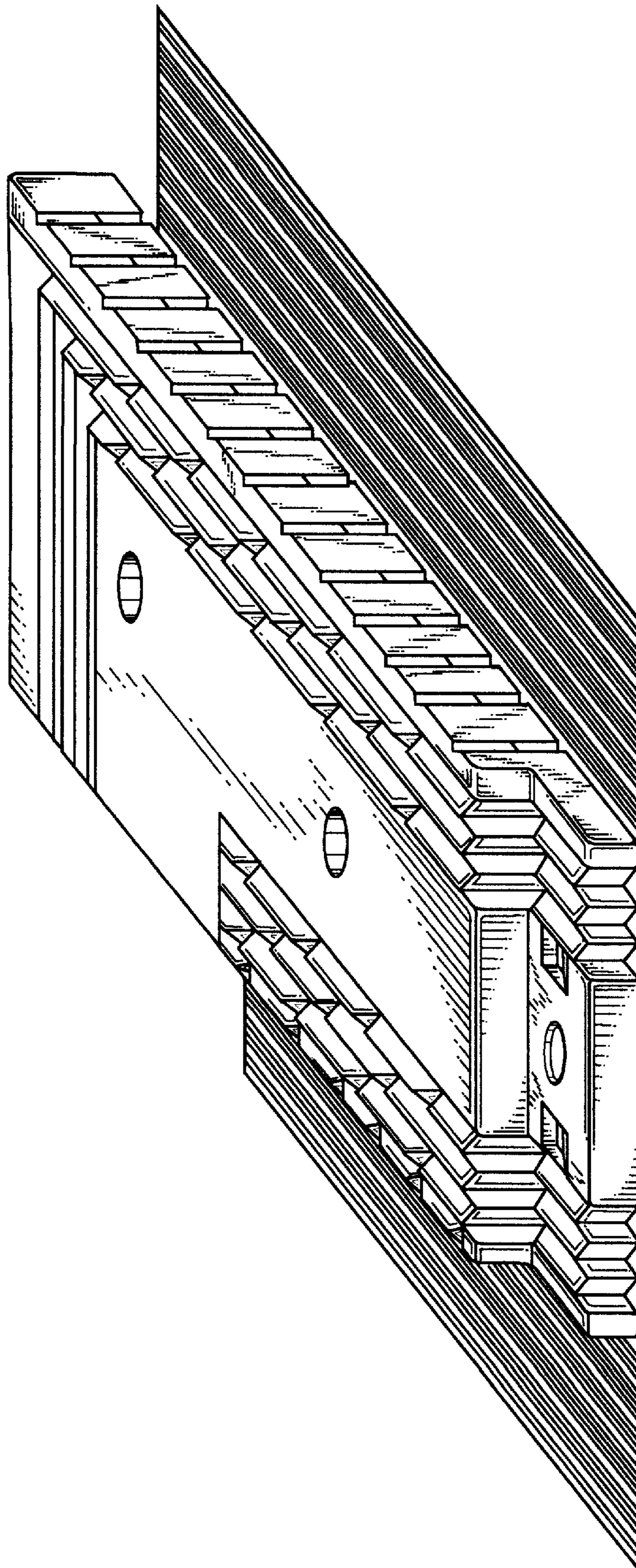


FIGURE 1

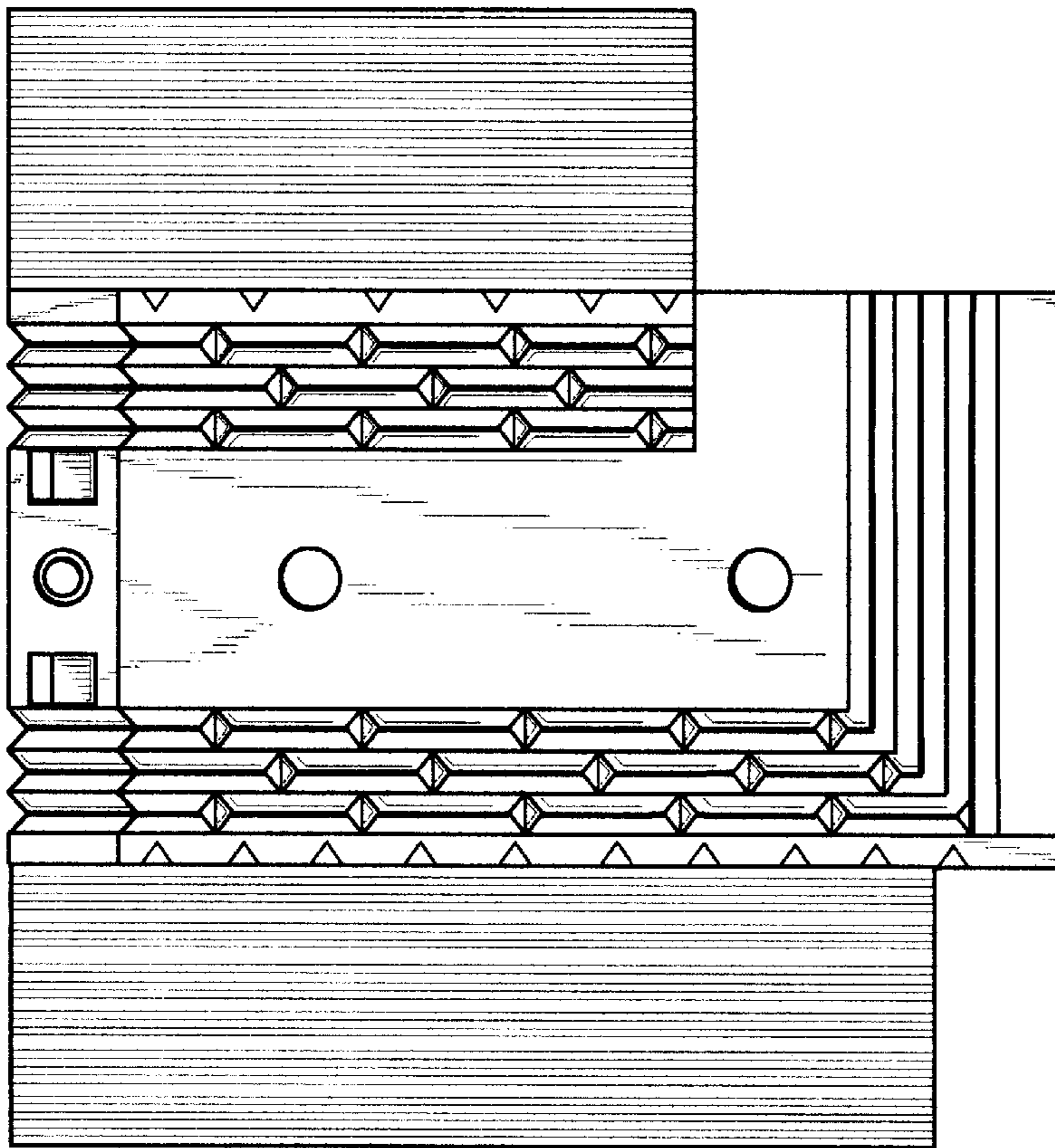


FIGURE 2

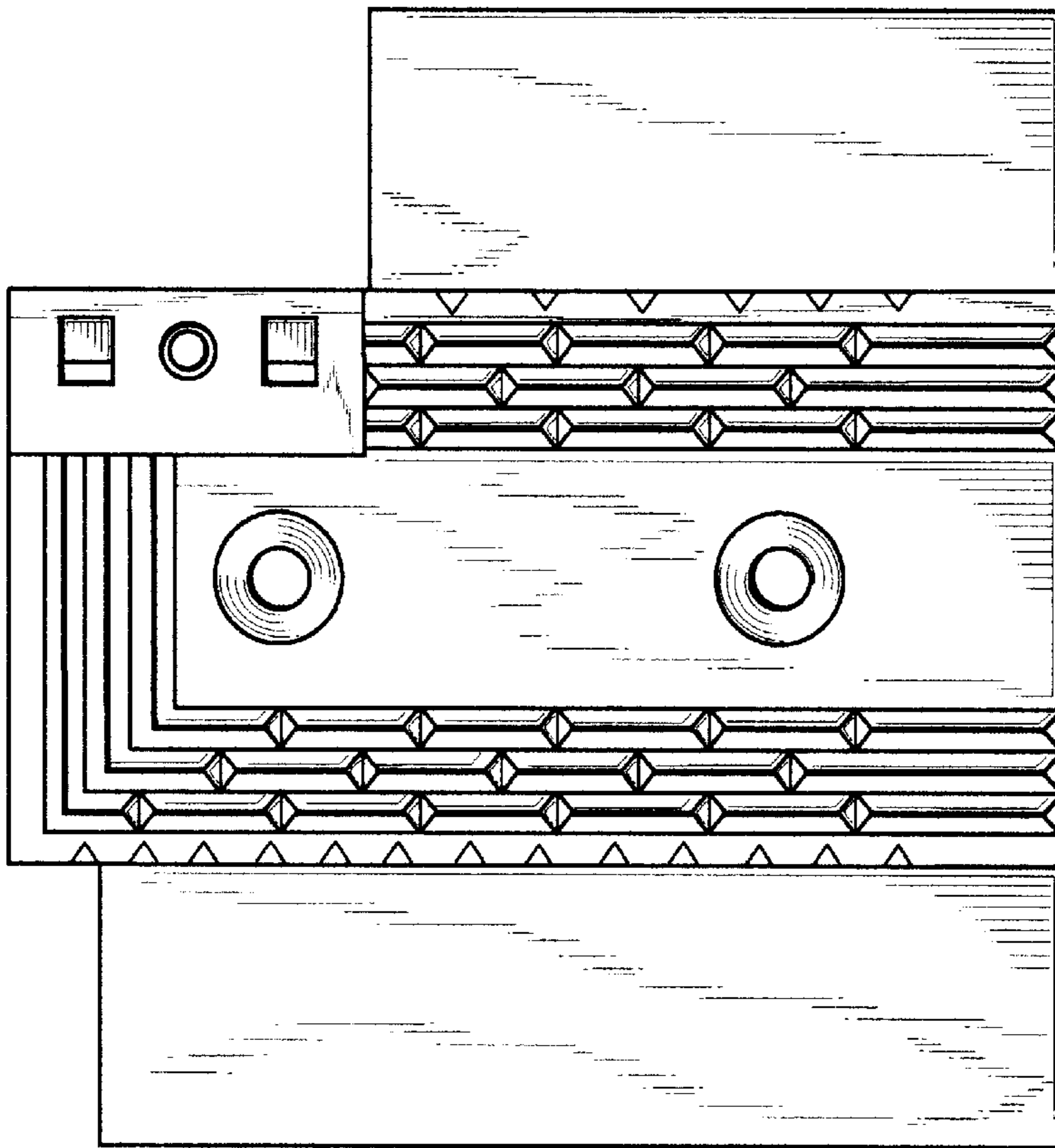


FIGURE 7

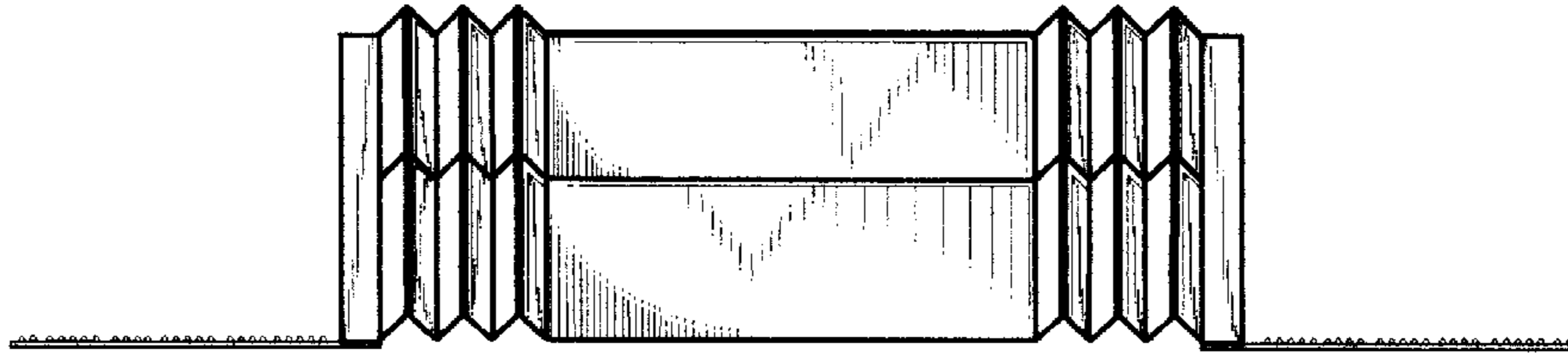


FIGURE 3

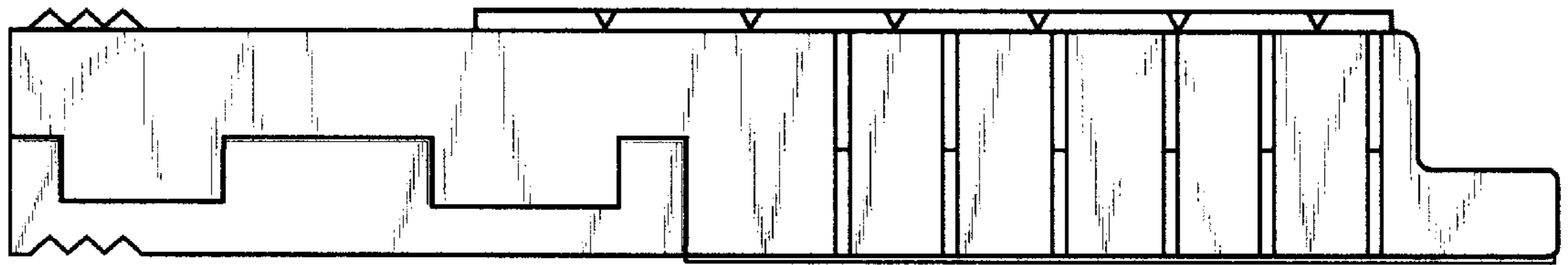


FIGURE 4

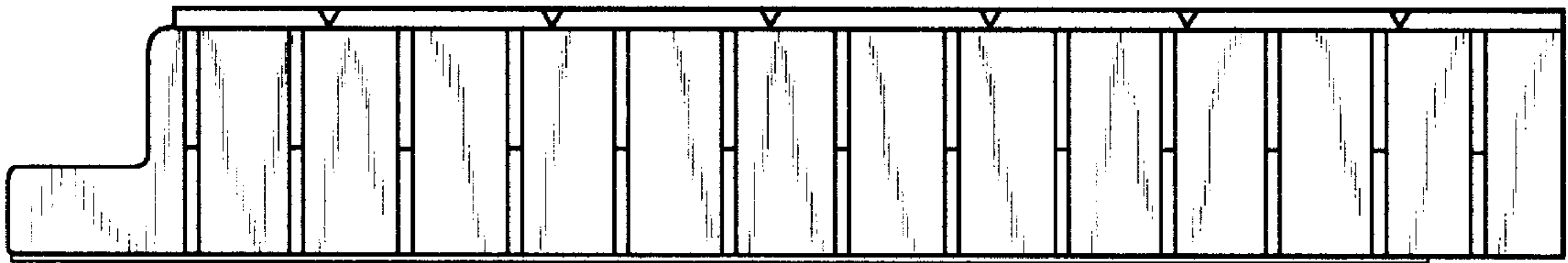


FIGURE 5

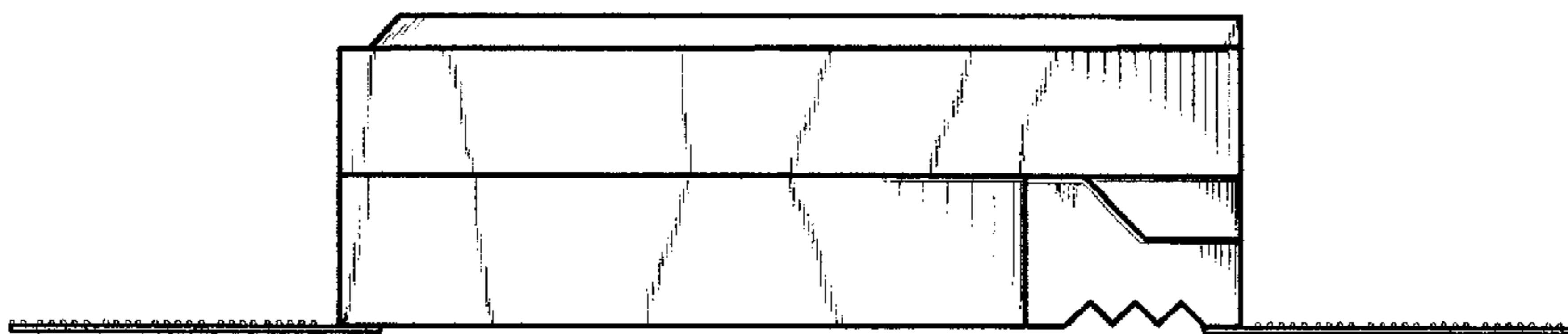


FIGURE 6

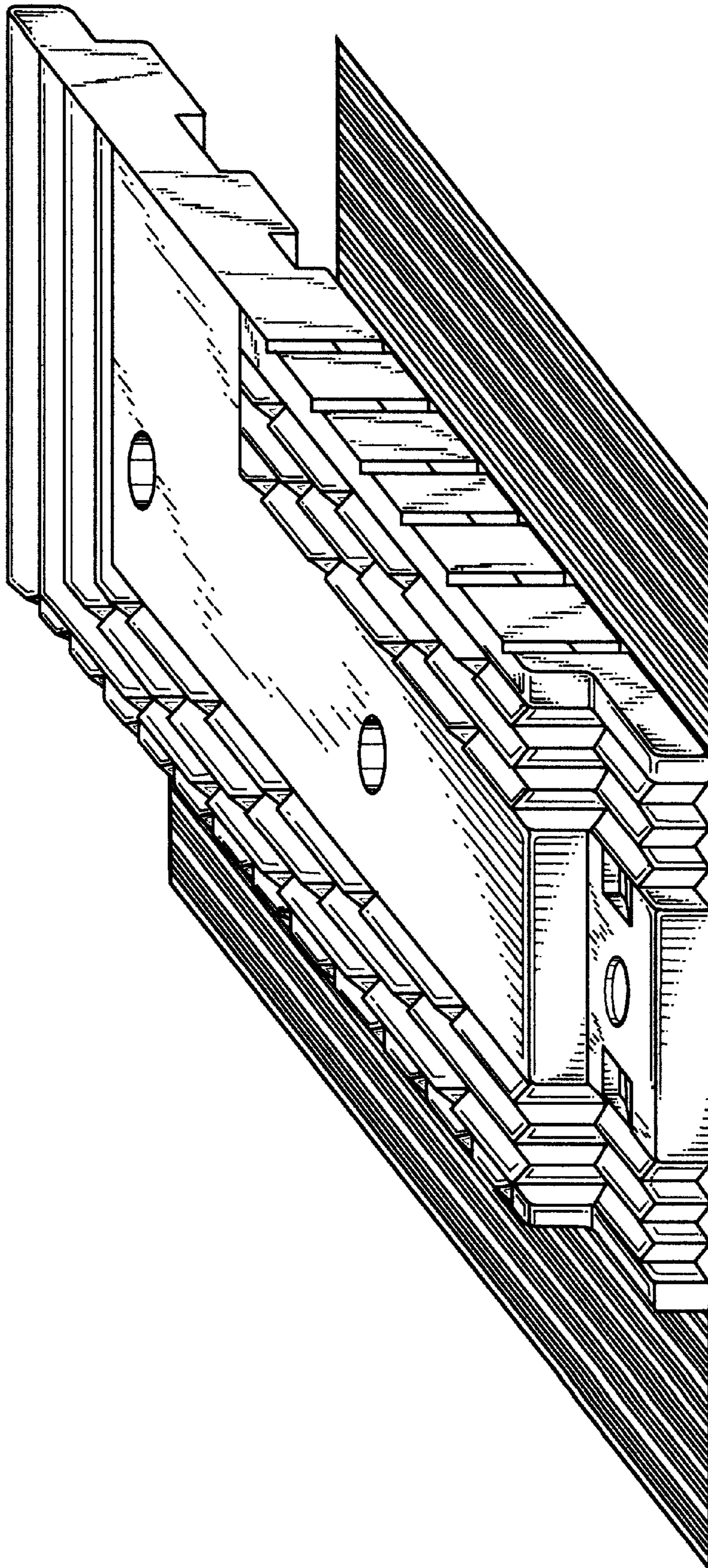


FIGURE 8