



US00D435301S

# United States Patent [19]

[11] **Patent Number: Des. 435,301**

**Shows**

[45] **Date of Patent: \*\* Dec. 19, 2000**

[54] **BUMPER FOR COLUMNS AND CORNERS**

5,549,279 8/1996 Aszkenas ..... 256/1

[76] Inventor: **Randy E. Shows**, 3427 NE. Rock Creek Dr., Kansas City, Mo. 64116

*Primary Examiner*—Doris Clark  
*Attorney, Agent, or Firm*—Richard C. Litman

[\*\*] Term: **14 Years**

### [57] CLAIM

[21] Appl. No.: **29/119,998**

The ornamental design for a bumper for columns and corners, as shown and described.

[22] Filed: **Mar. 13, 2000**

### DESCRIPTION

[51] **LOC (7) Cl.** ..... **25-02**

[52] **U.S. Cl.** ..... **D25/38**

[58] **Field of Search** ..... 256/1, 13.1; 404/8; D25/38

FIG. 1 is an environmental perspective view of a bumper for columns and corners showing my new design; FIG. 2 is a front elevational view thereof; FIG. 3 is a rear elevational view thereof; FIG. 4 is a right side elevational view with the left side being a mirror image thereof; and, FIG. 5 is a top plan view with the bottom view being a mirror image thereof.

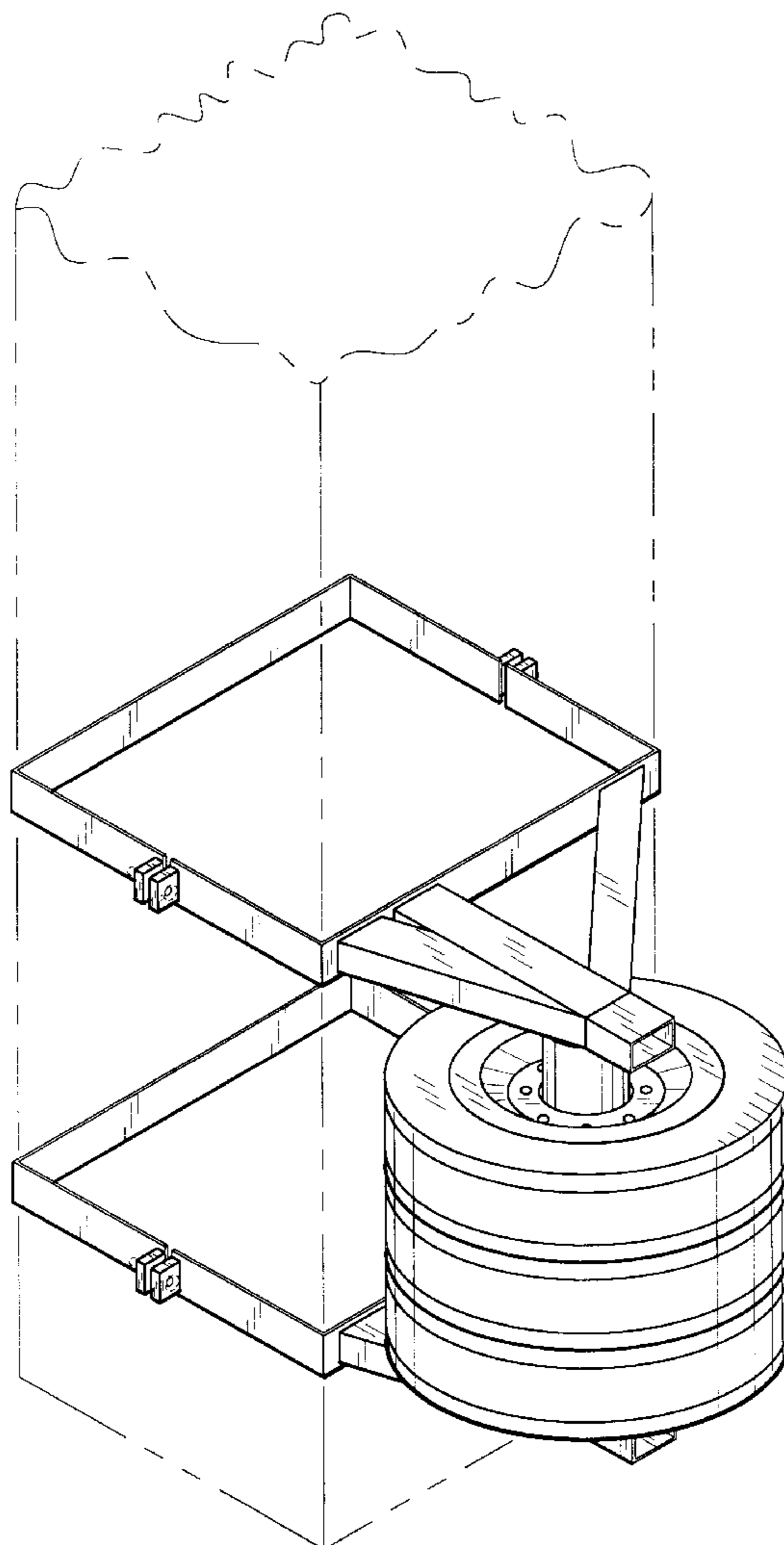
### [56] References Cited

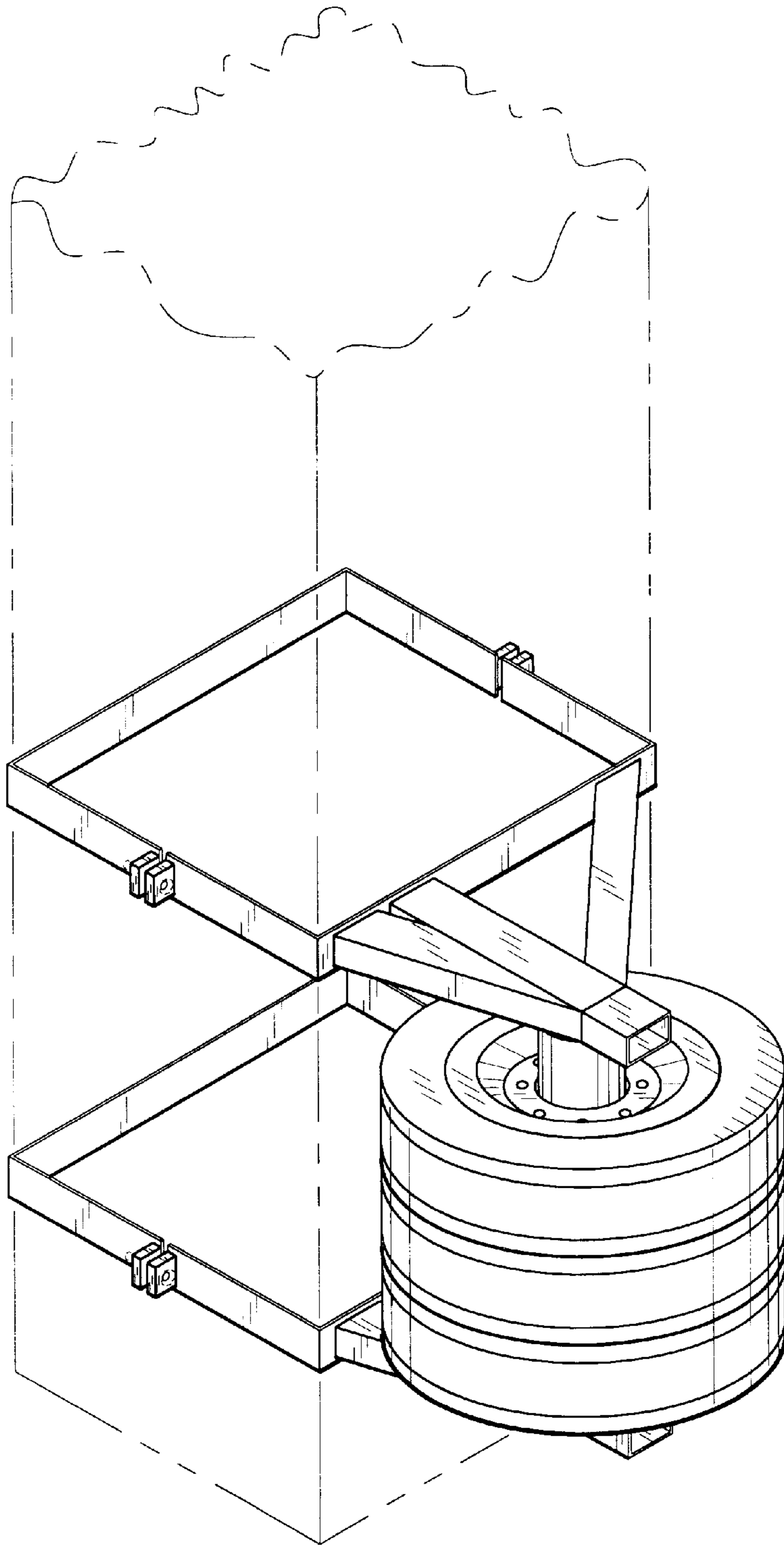
#### U.S. PATENT DOCUMENTS

- D. 252,708 8/1979 Vincent ..... D25/38
- 3,661,359 5/1972 Walker .
- 3,848,853 11/1974 Way et al. .
- 3,991,582 11/1976 Waldrop et al. .
- 4,022,452 5/1977 Dupre ..... 256/1
- 5,238,228 8/1993 Moon ..... 256/1

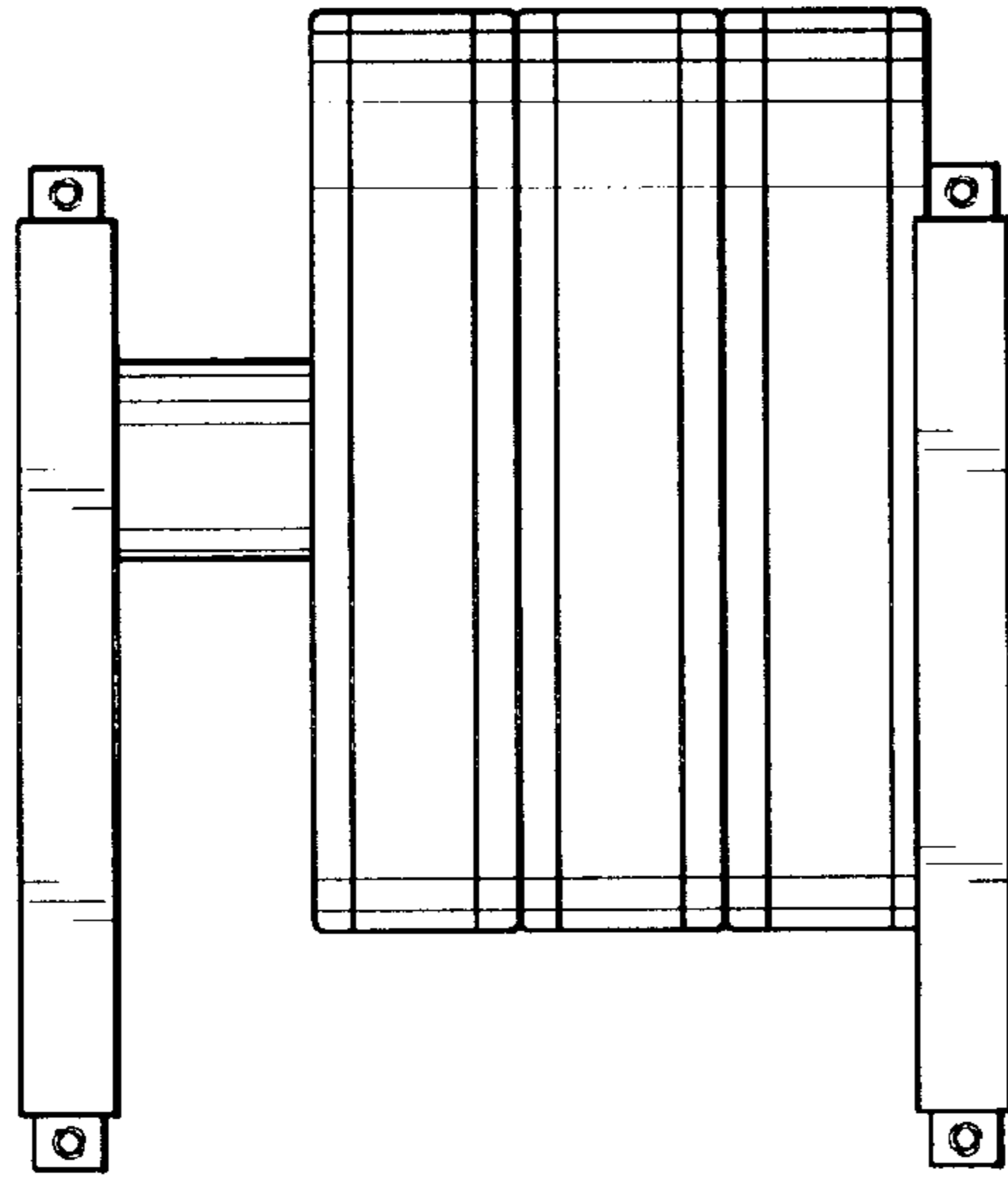
The broken line showing of the column and the bolts in FIG. 1 is for illustrative purposes only and forms no part of the claimed design.

**1 Claim, 3 Drawing Sheets**

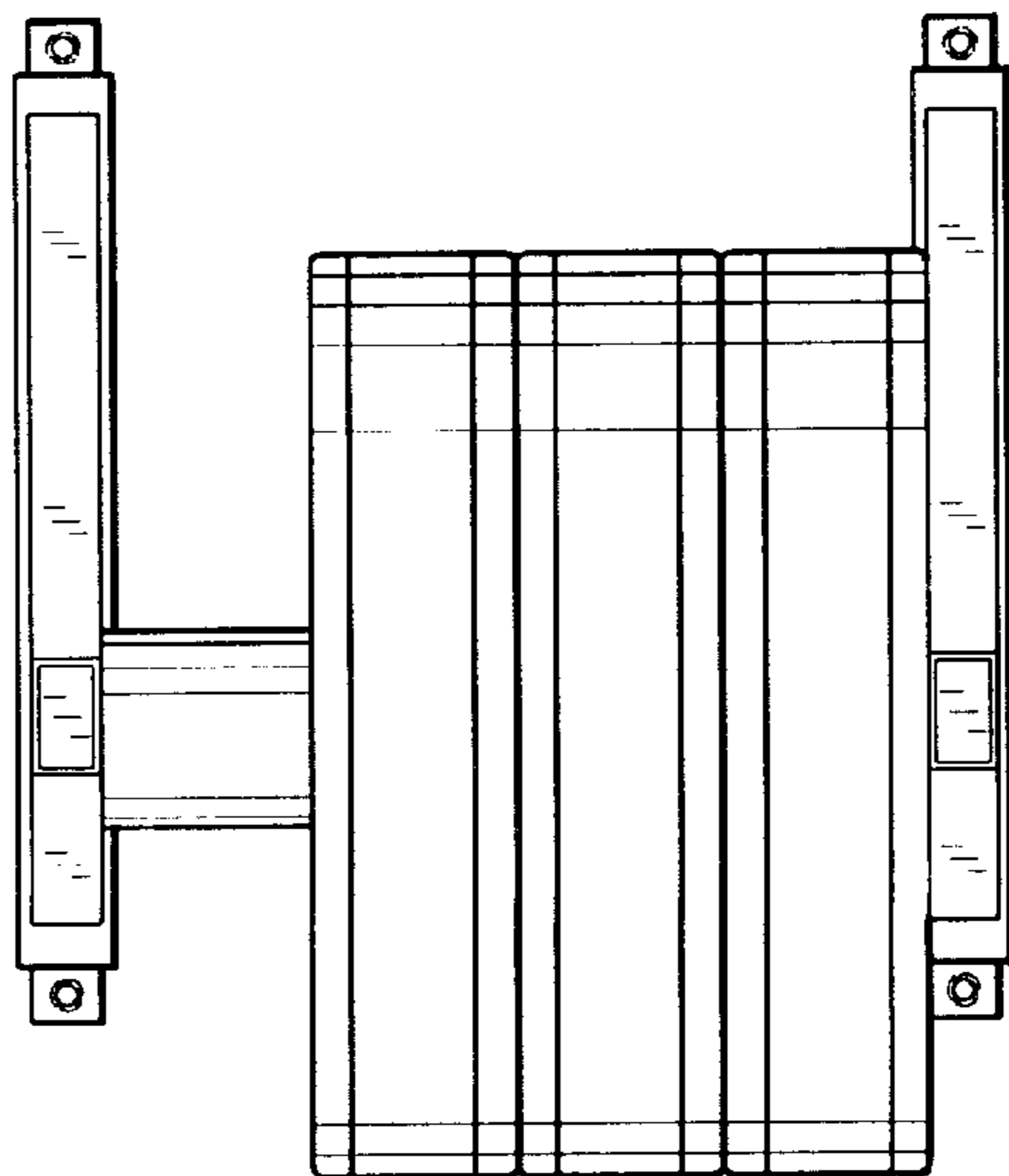




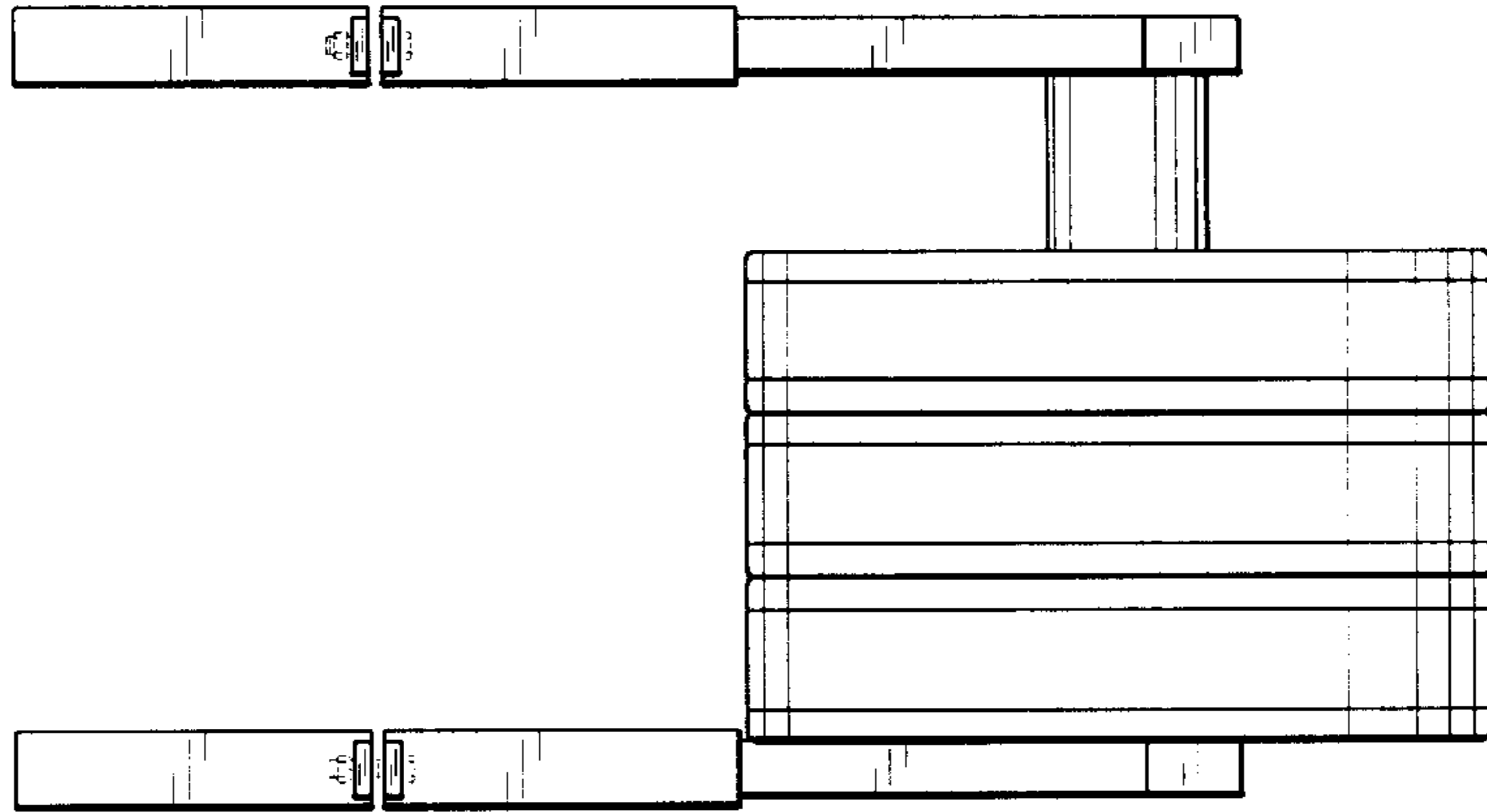
*Fig. 1*



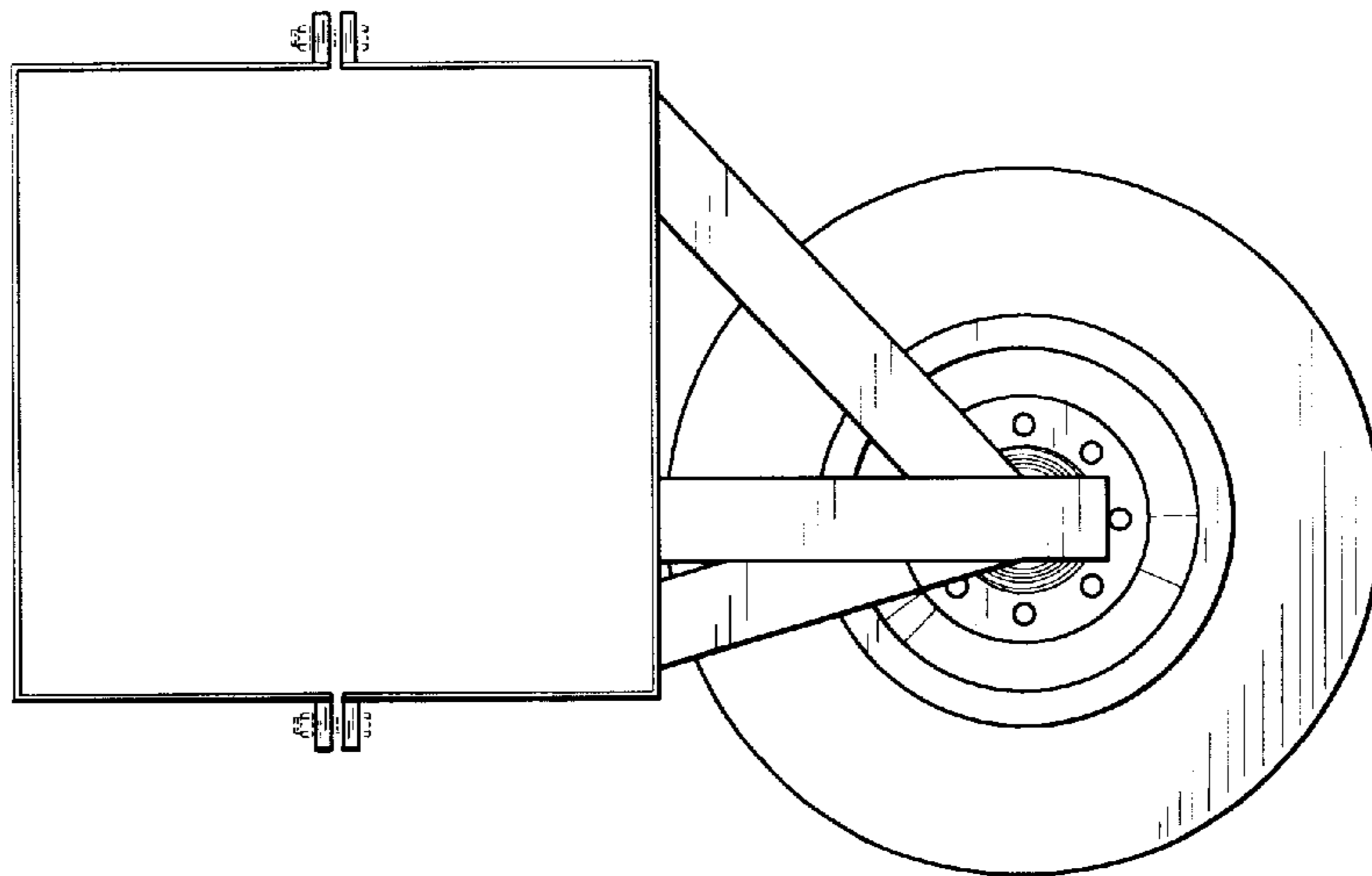
*Fig. 3*



*Fig. 2*



*Fig. 4*



*Fig. 5*