



US00D435300S

United States Patent [19]
Bhullar et al.

[11] **Patent Number: Des. 435,300**
[45] **Date of Patent: ** Dec. 19, 2000**

[54] **BIOSENSOR**

[75] Inventors: **Raghibir Singh Bhullar**, Indianapolis;
Jeffery Neal Shelton, Fishers, both of
Ind.

[73] Assignee: **Roche Diagnostics Corporation**,
Indianapolis, Ind.

[**] Term: **14 Years**

[21] Appl. No.: **29/115,617**

[22] Filed: **Dec. 16, 1999**

[51] **LOC (7) Cl.** **24-01**

[52] **U.S. Cl.** **D24/216; D10/81; D24/225**

[58] **Field of Search** D24/225, 224,
D24/187, 169, 164, 165; D10/81; 204/418,
403, 412; 422/58, 56, 61, 102, 55, 99; 436/807,
810, 808, 809, 67, 46, 48, 66; 435/805,
4

[56] **References Cited**

U.S. PATENT DOCUMENTS

- D. 351,913 10/1994 Hieb et al. D24/225
- D. 367,014 2/1996 D'Orazio et al. D10/81
- D. 367,235 2/1996 D'Orazio et al. D10/81
- D. 371,749 7/1996 D'Orazio et al. D10/81

- D. 372,877 8/1996 D'Orazio et al. D10/81
- 5,264,103 11/1993 Yoshioka et al. 204/403
- 5,288,636 2/1994 Pollmann et al. 204/403
- 5,413,690 5/1995 Kost et al. 204/403
- 5,628,890 5/1997 Carter et al. 204/403
- 5,762,770 6/1998 Pritchard et al. 204/403
- 6,044,441 3/2000 Malinowski 204/403

FOREIGN PATENT DOCUMENTS

WO 99/43432 9/1999 WIPO B01L 3/00

Primary Examiner—Ian Simmons
Attorney, Agent, or Firm—Jill L. Woodburn

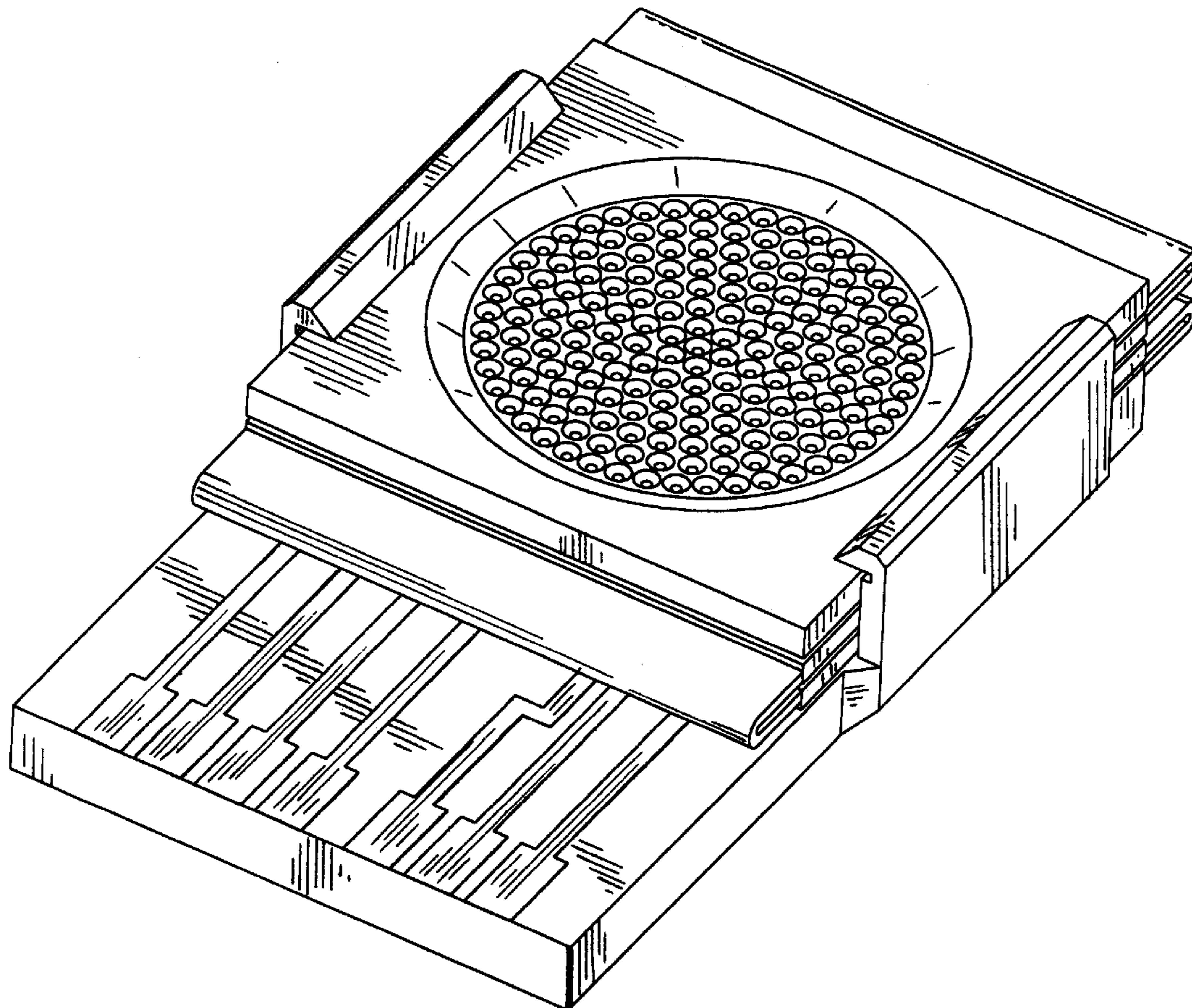
[57] **CLAIM**

The ornamental design for a biosensor, as shown and described.

DESCRIPTION

FIG. 1 is a perspective view of a biosensor illustrating our new design;
FIG. 2 is a front elevational view thereof;
FIG. 3 is a right side elevational view thereof, with the left side elevational view being similar;
FIG. 4 is a top plan view thereof;
FIG. 5 is a rear elevational view thereof; and,
FIG. 6 is a bottom plan view thereof.

1 Claim, 3 Drawing Sheets



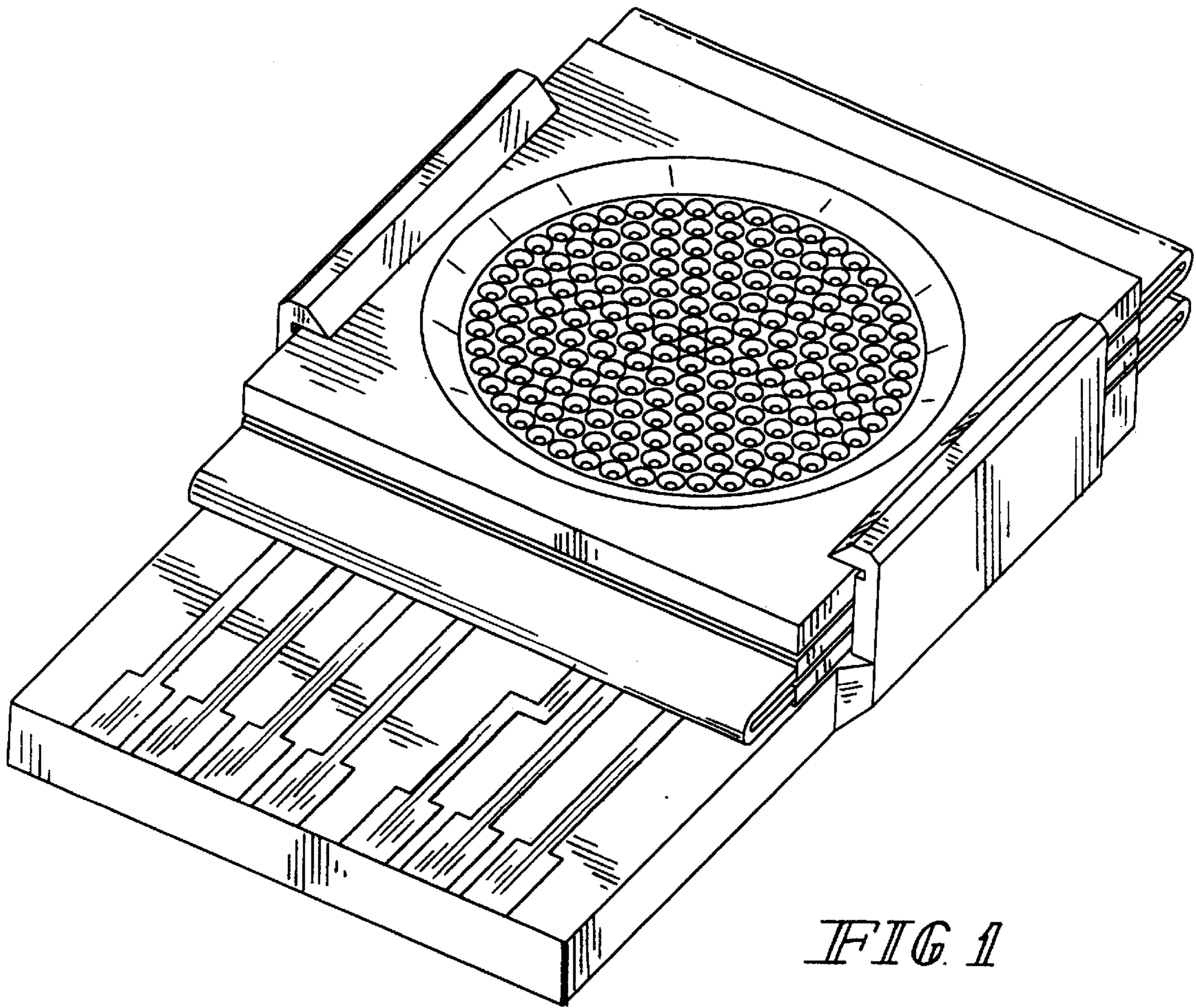


FIG. 1

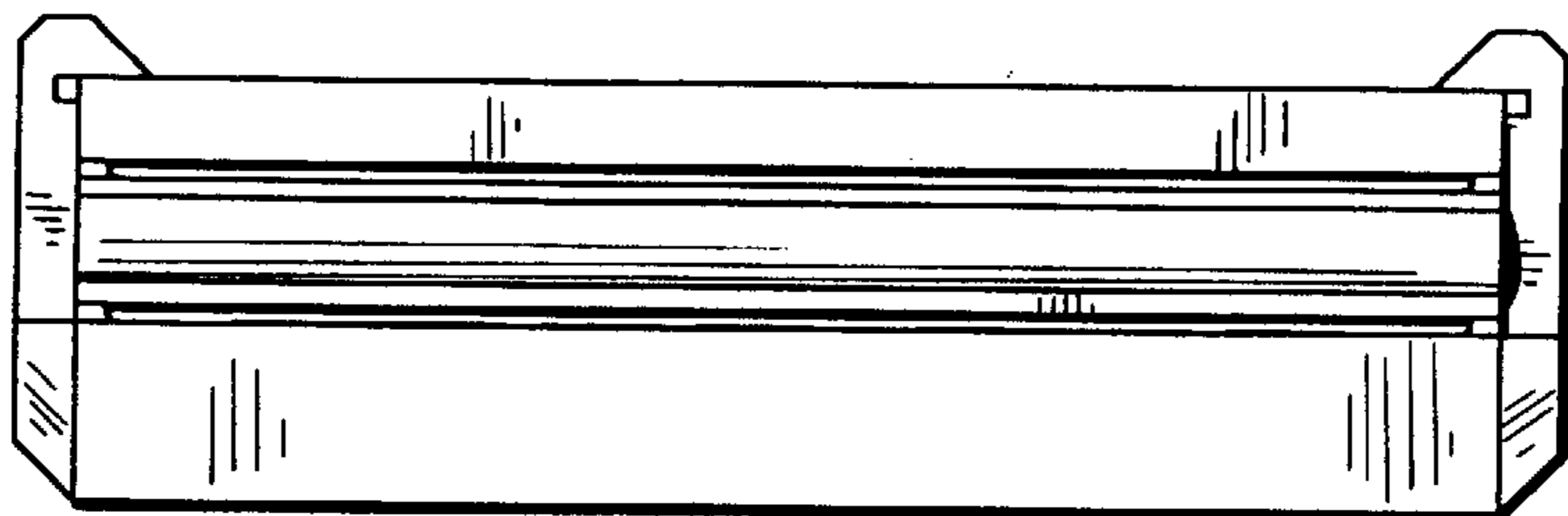


FIG. 2

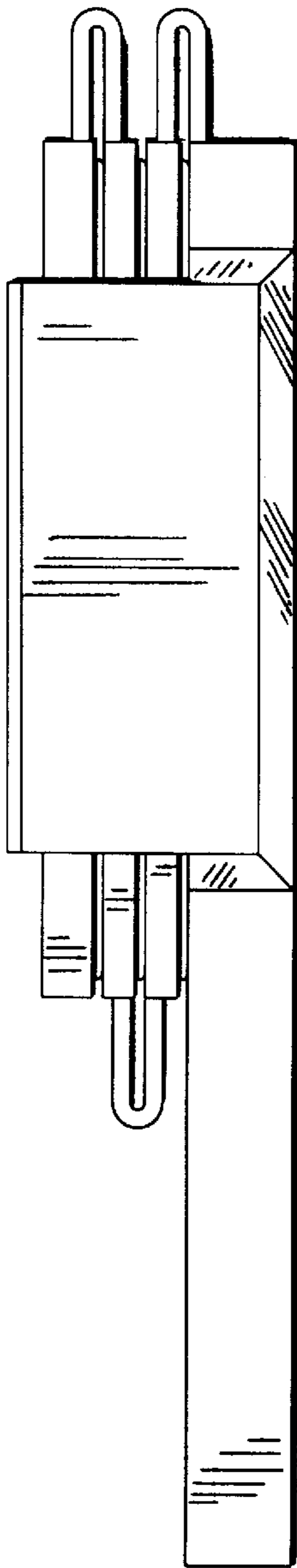


FIG. 3

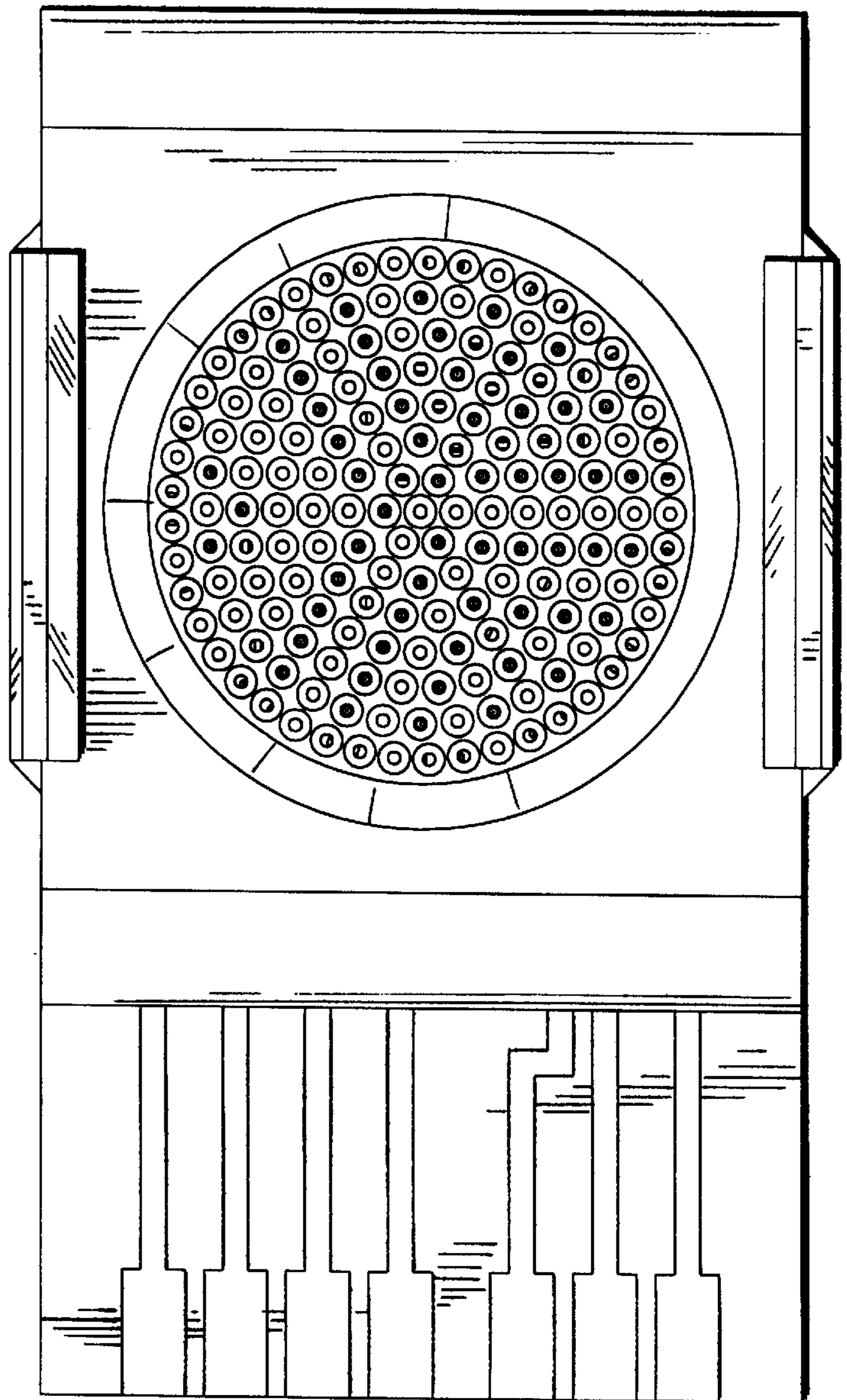


FIG. 4

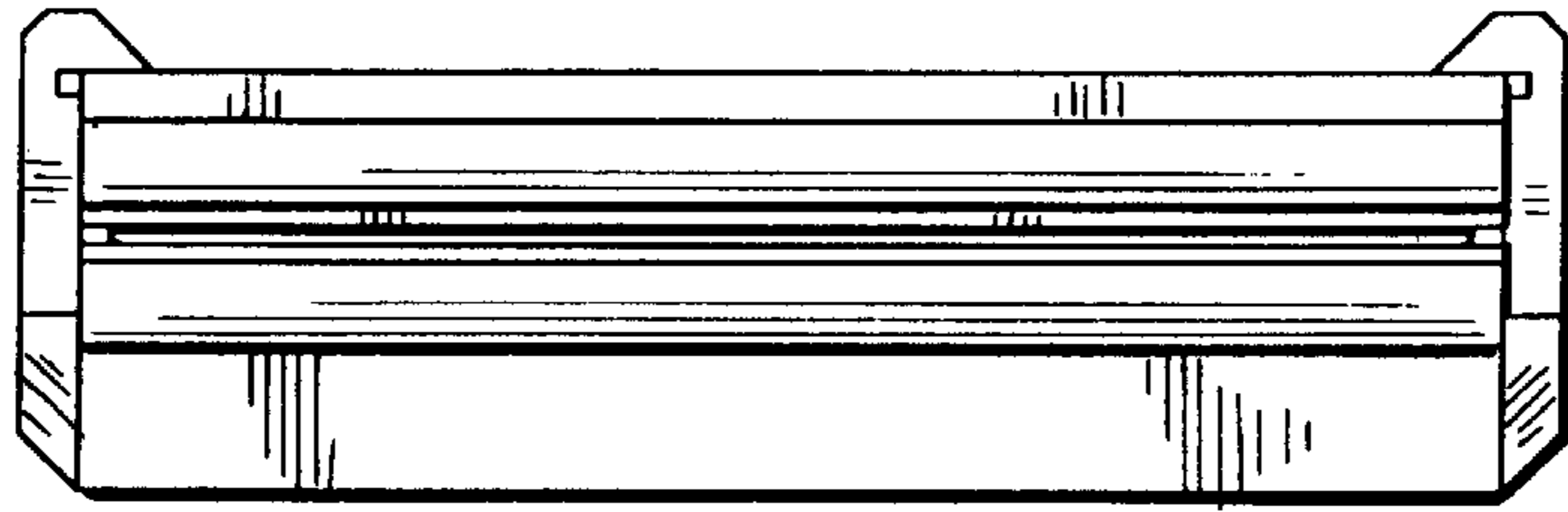


FIG. 5

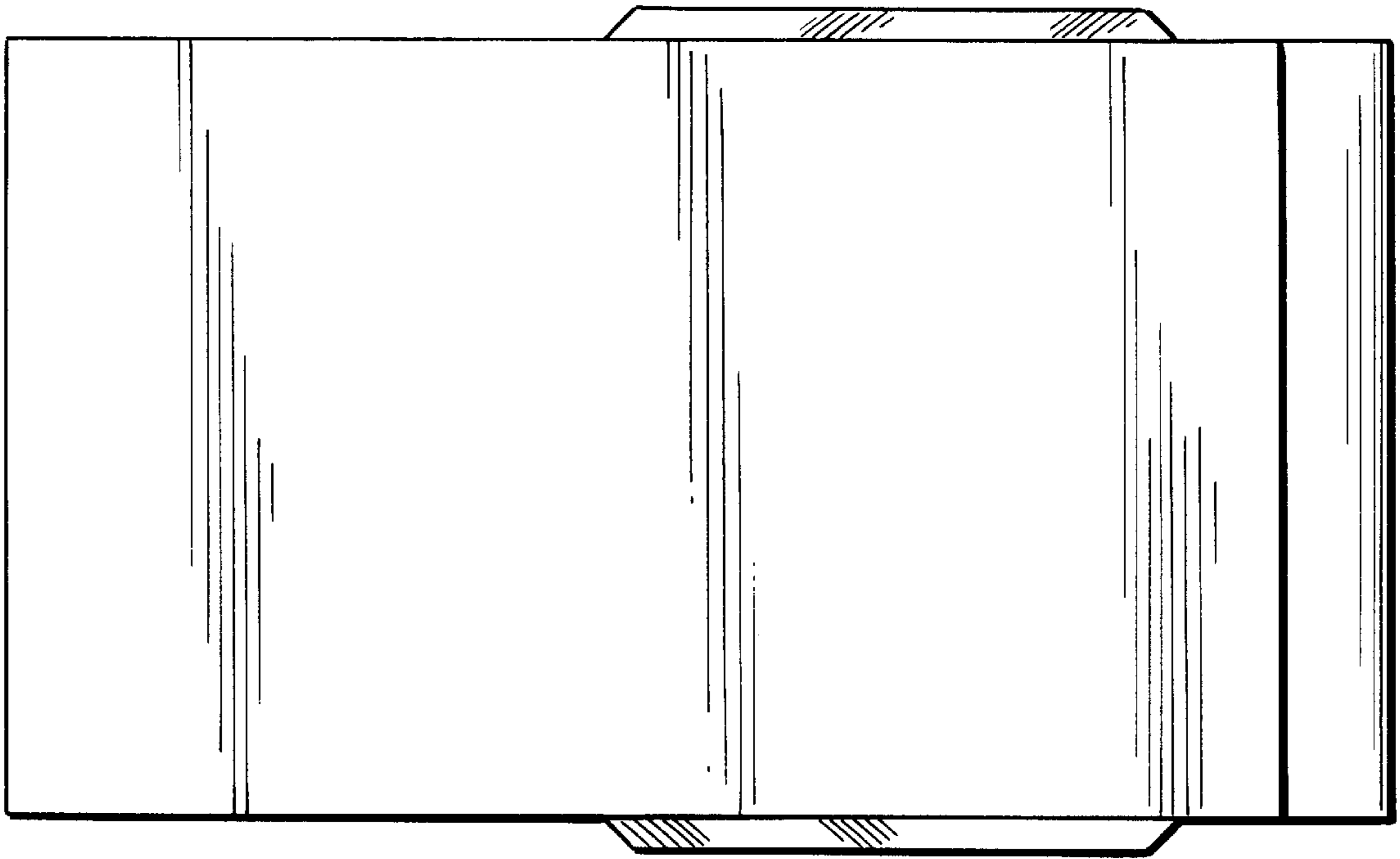


FIG. 6