



US00D435298S

United States Patent [19] Jacuzzi et al.

[11] Patent Number: **Des. 435,298**

[45] Date of Patent: **** Dec. 19, 2000**

[54] **WHIRLPOOL BATHTUB**

[75] Inventors: **Roy A. Jacuzzi**, Orinda; **Phillip J. Weeks**, San Ramon; **Garo J. Paroonagian**, Martinez, all of Calif.

[73] Assignee: **Jacuzzi Inc.**, Walnut Creek, Calif.

[**] Term: **14 Years**

[21] Appl. No.: **29/107,402**

[22] Filed: **Jul. 2, 1999**

[51] **LOC (7) Cl.** **24-04**

[52] **U.S. Cl.** **D24/204**

[58] **Field of Search** D24/201, 204;
4/538, 541.1, 541.2, 541.3, 541.4, 541.5,
541.6

[56] **References Cited**

U.S. PATENT DOCUMENTS

D. 219,215	11/1970	Korol	D23/55
D. 255,932	7/1980	D’Innocente et al.	D24/36
D. 265,582	7/1982	Kohler, Jr.	D23/55
D. 265,922	8/1982	Jasperson	D23/55
D. 269,460	6/1983	Kohler, Jr.	D24/38
D. 275,597	9/1984	Lax	D23/55
D. 277,135	1/1985	Sullivan	D24/204
D. 286,679	11/1986	D’Innocente et al.	D24/38

D. 288,239	2/1987	D’Innocente et al.	D24/38
D. 300,360	3/1989	Jacuzzi	D24/204
D. 308,574	6/1990	D’Innocente et al.	D24/204

Primary Examiner—Stella Reid
Attorney, Agent, or Firm—Limbach & Limbach LLP

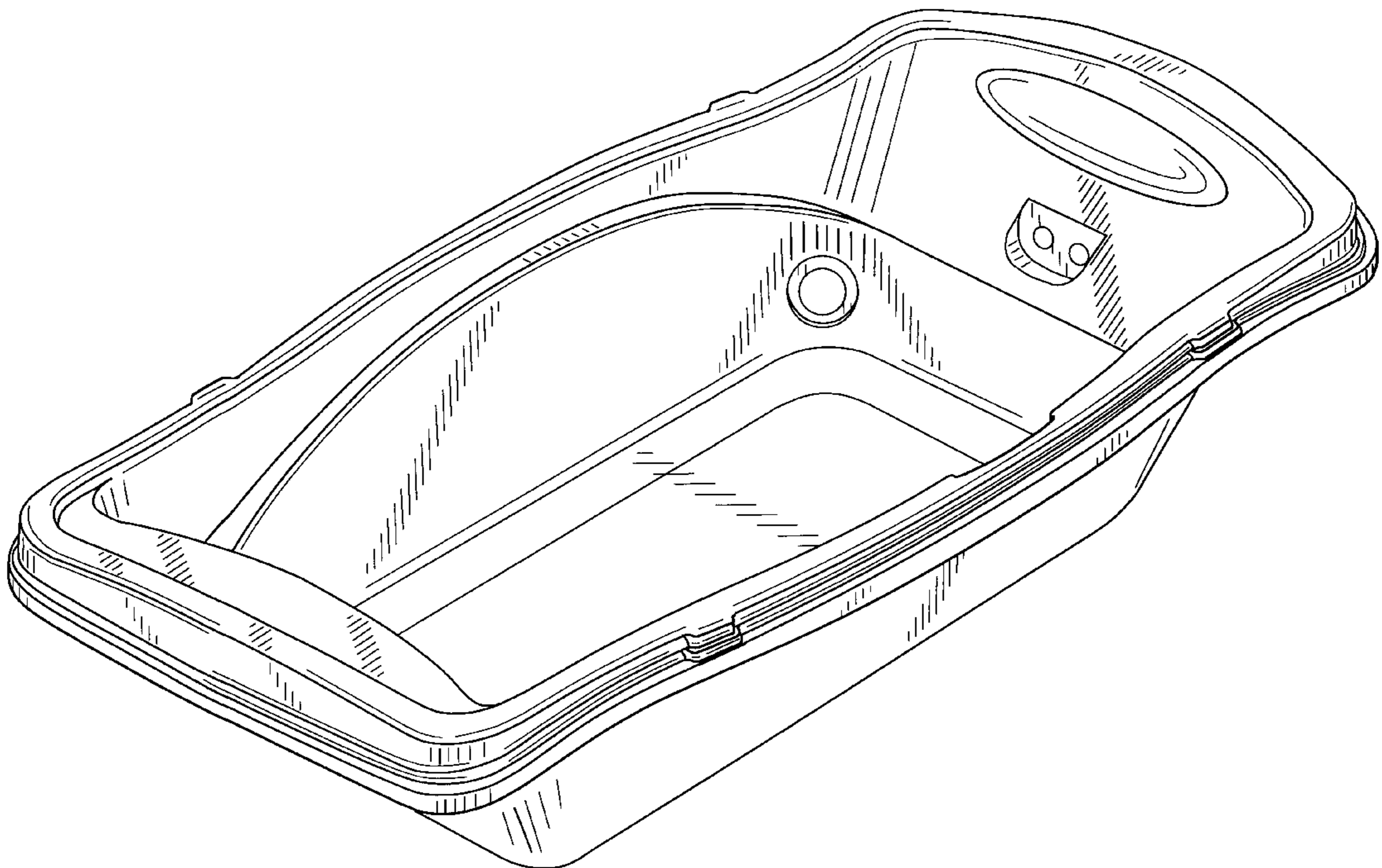
[57] **CLAIM**

The ornamental design for a whirlpool bathtub, as shown.

DESCRIPTION

FIG. 1 is a perspective view of a whirlpool bathtub showing our new design;
 FIG. 2 is a top plan view thereof;
 FIG. 3 is a side elevational view thereof, taken on line 3—3 of FIG. 2;
 FIG. 4 is an end elevational view thereof, taken on line 4—4 of FIG. 2;
 FIG. 5 is an end elevational view thereof, taken on line 5—5 of FIG. 2;
 FIG. 6 is a cross-sectional view thereof, taken on line 6—6 of FIG. 2;
 FIG. 7 is a cross-sectional view thereof, taken on line 7—7 of FIG. 2;
 FIG. 8 is a cross-sectional view thereof, taken on line 8—8 of FIG. 2; and,
 FIG. 9 is a cross-sectional view thereof, taken on line 9—9 of FIG. 2.

1 Claim, 7 Drawing Sheets



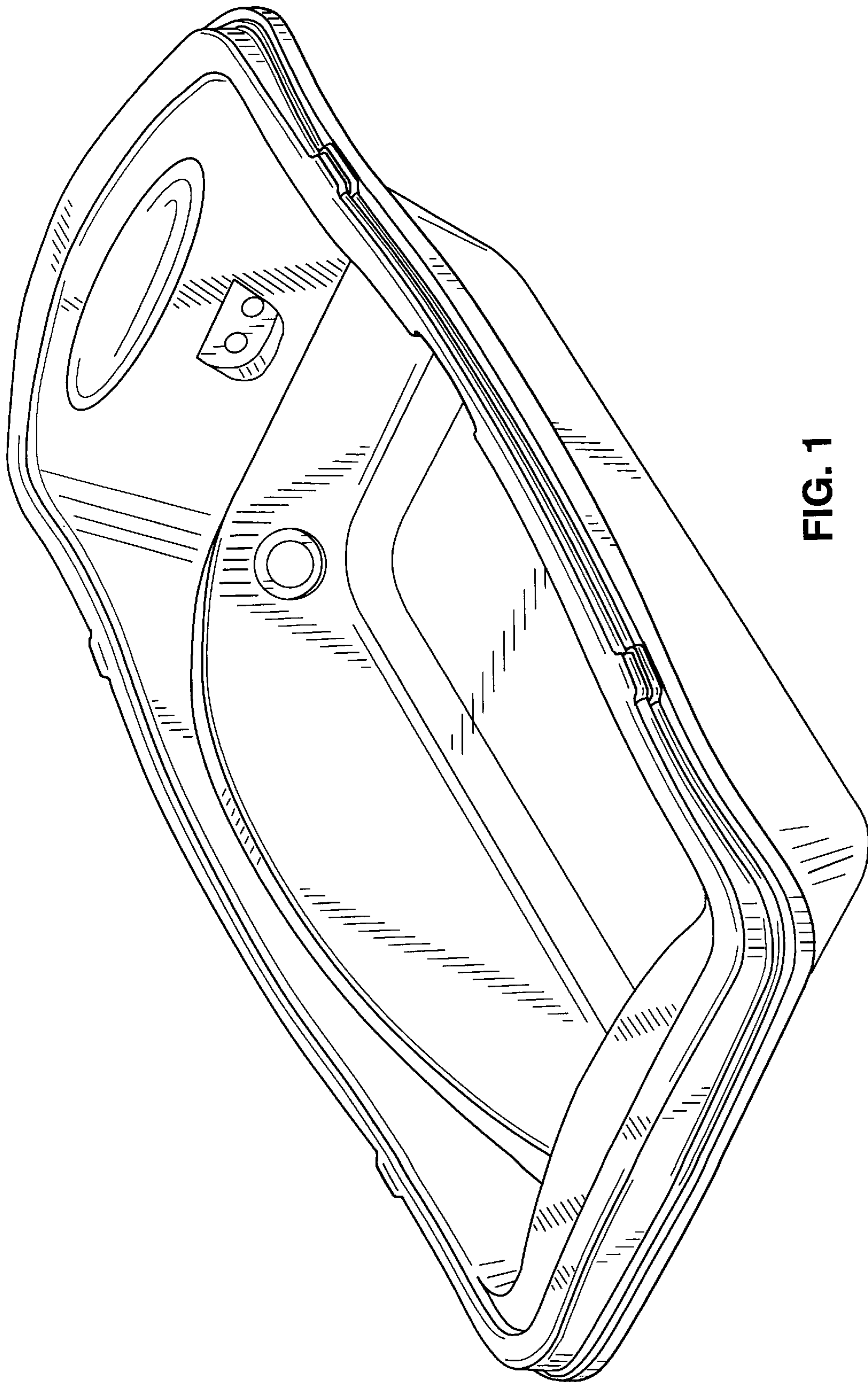


FIG. 1

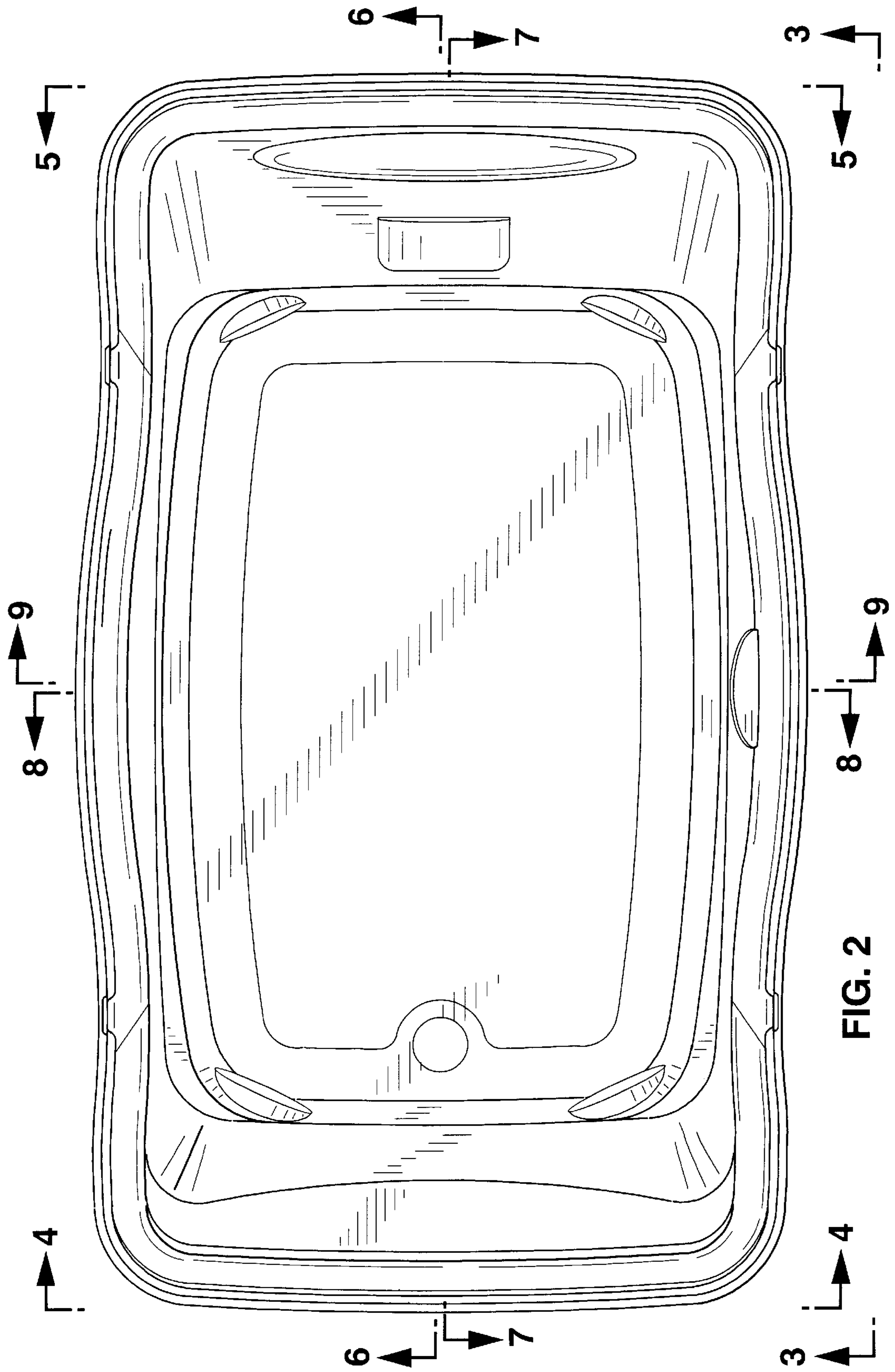


FIG. 2

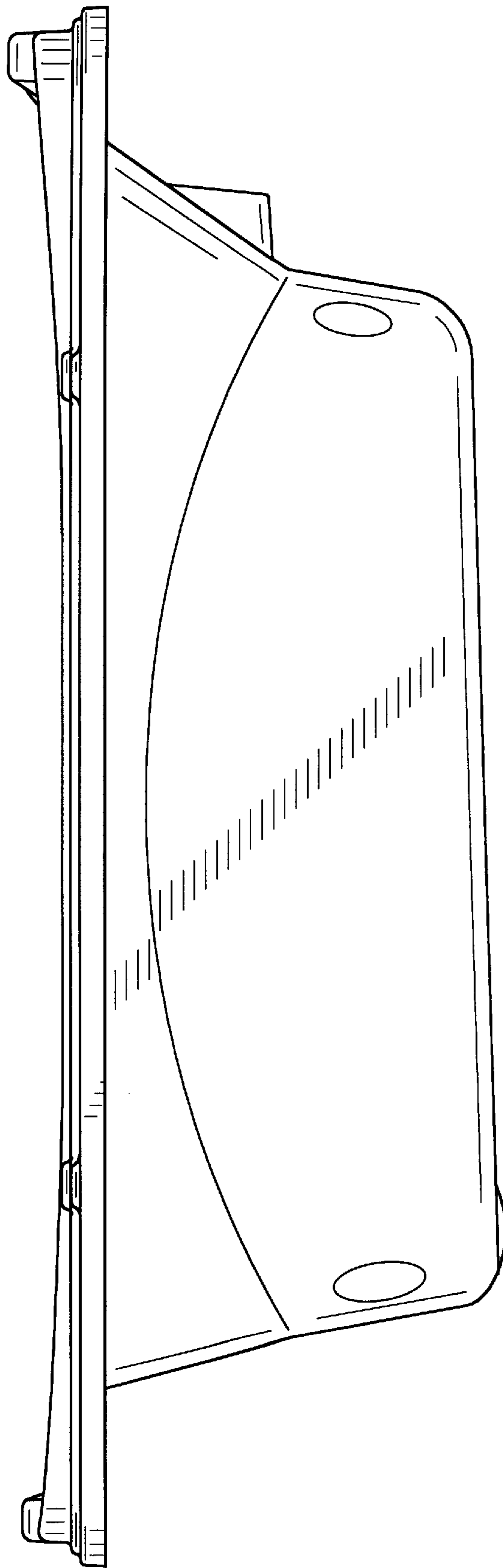


FIG. 3

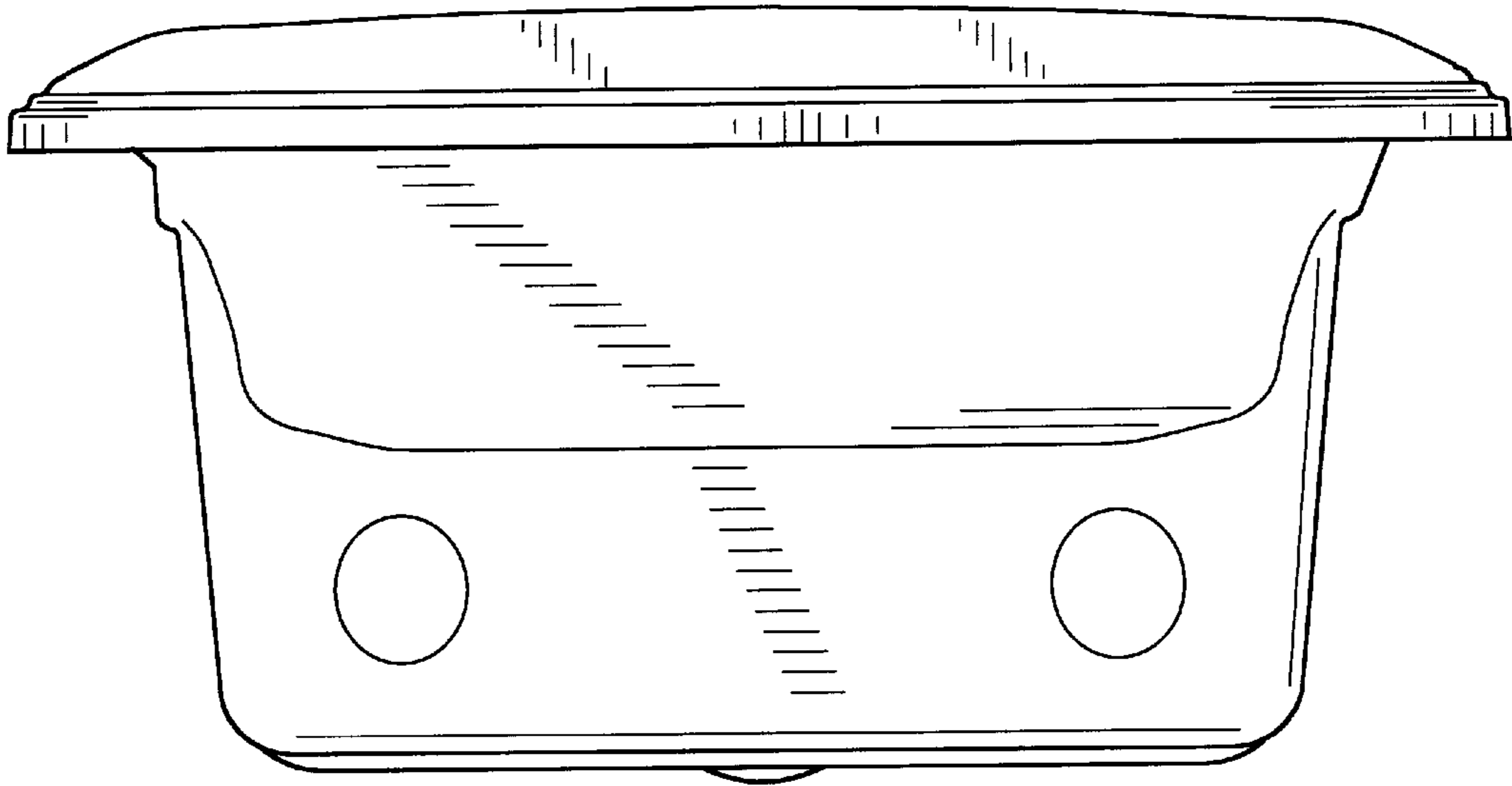


FIG. 4

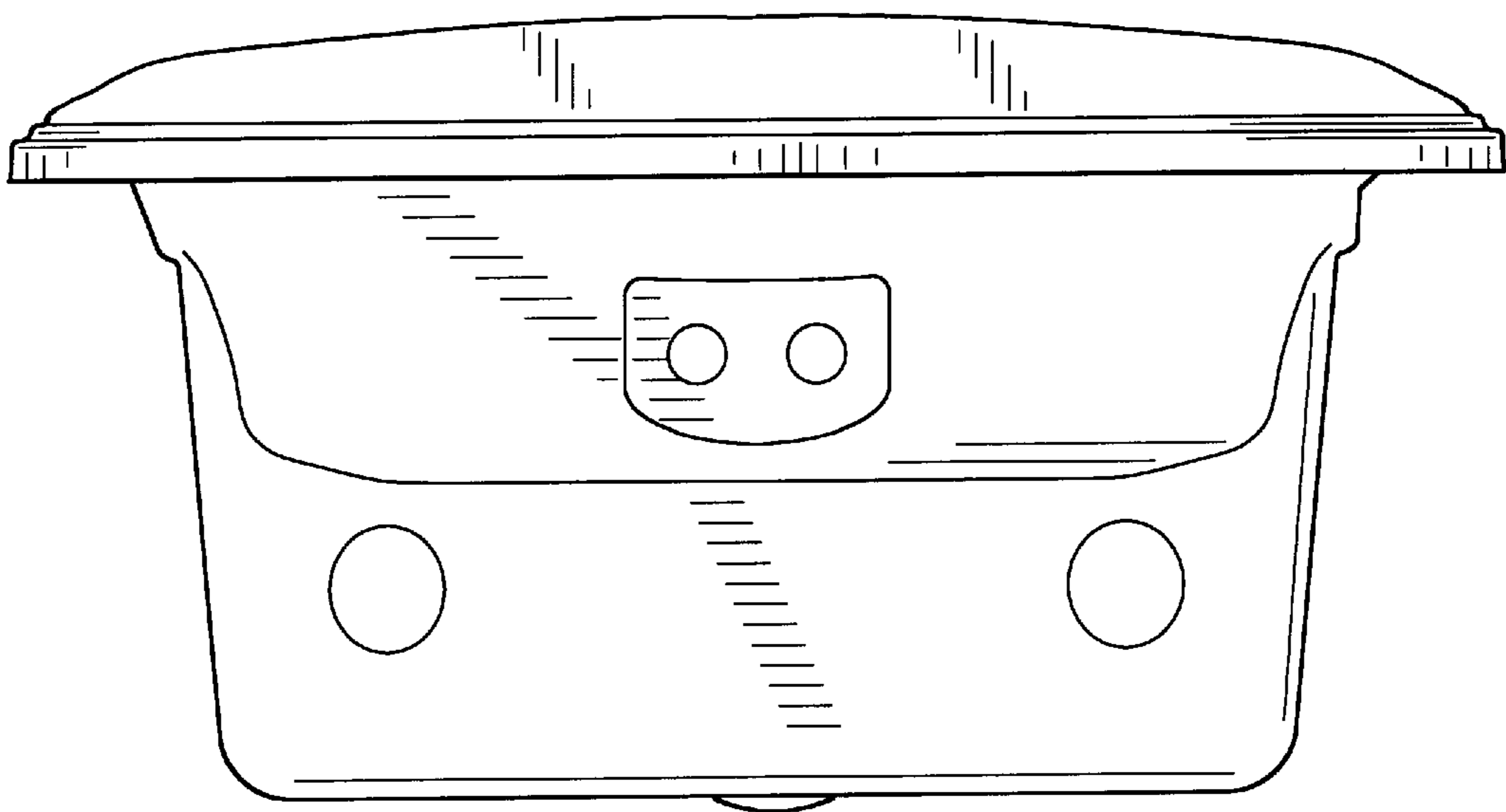


FIG. 5

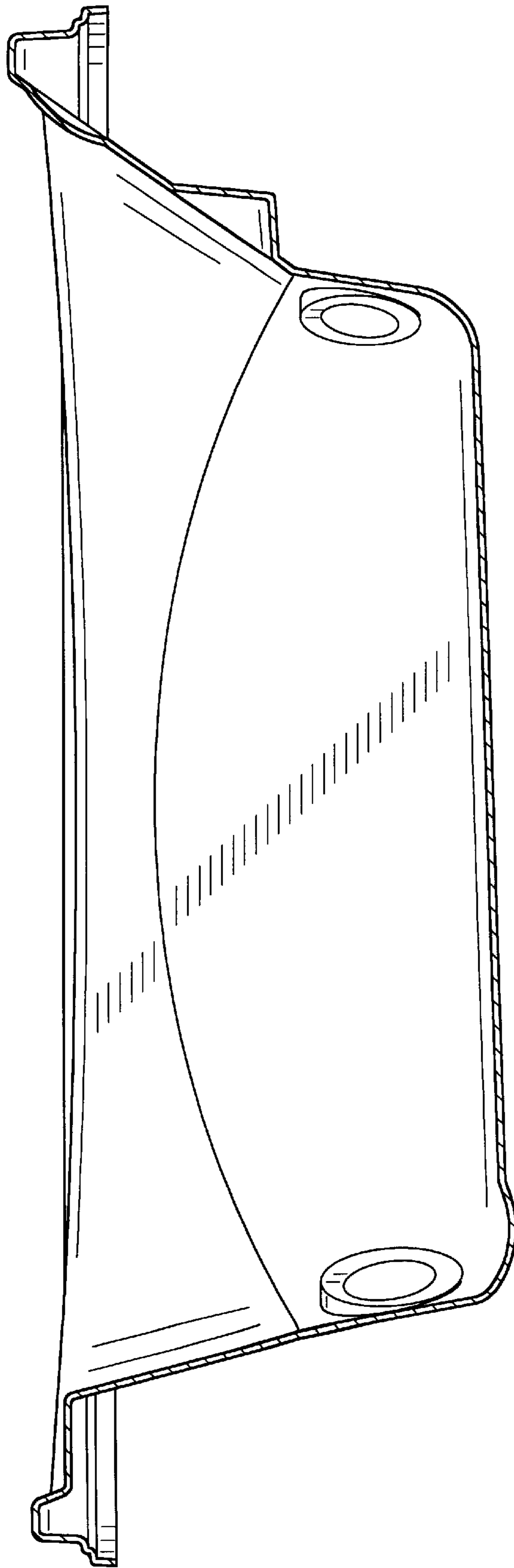


FIG. 6

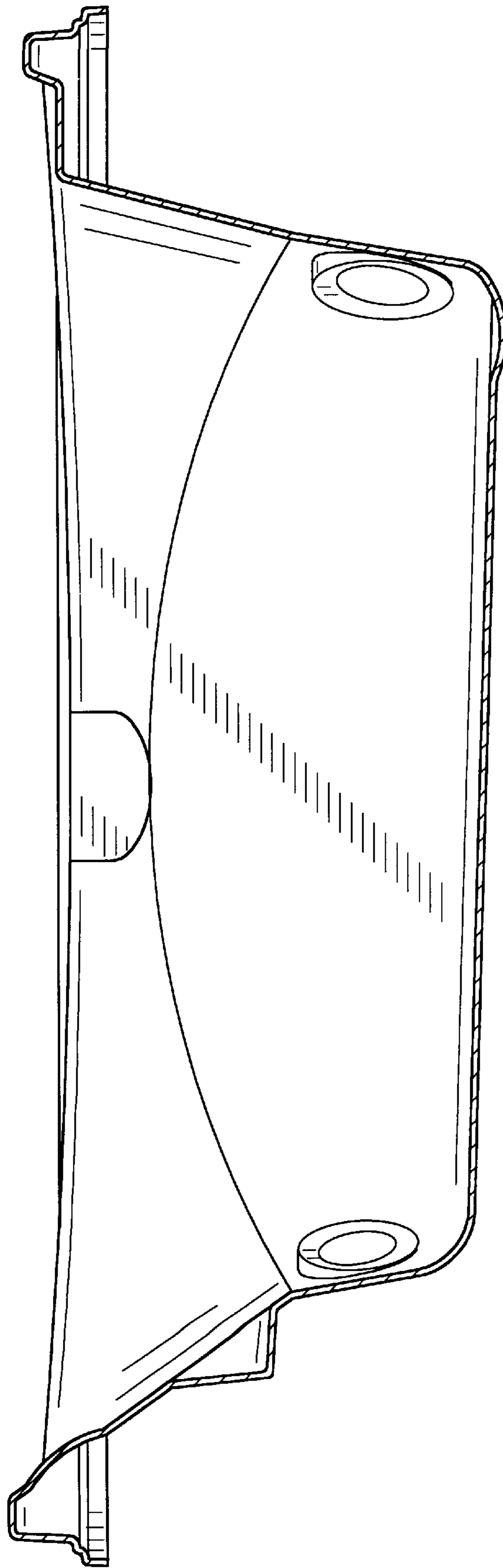


FIG. 7

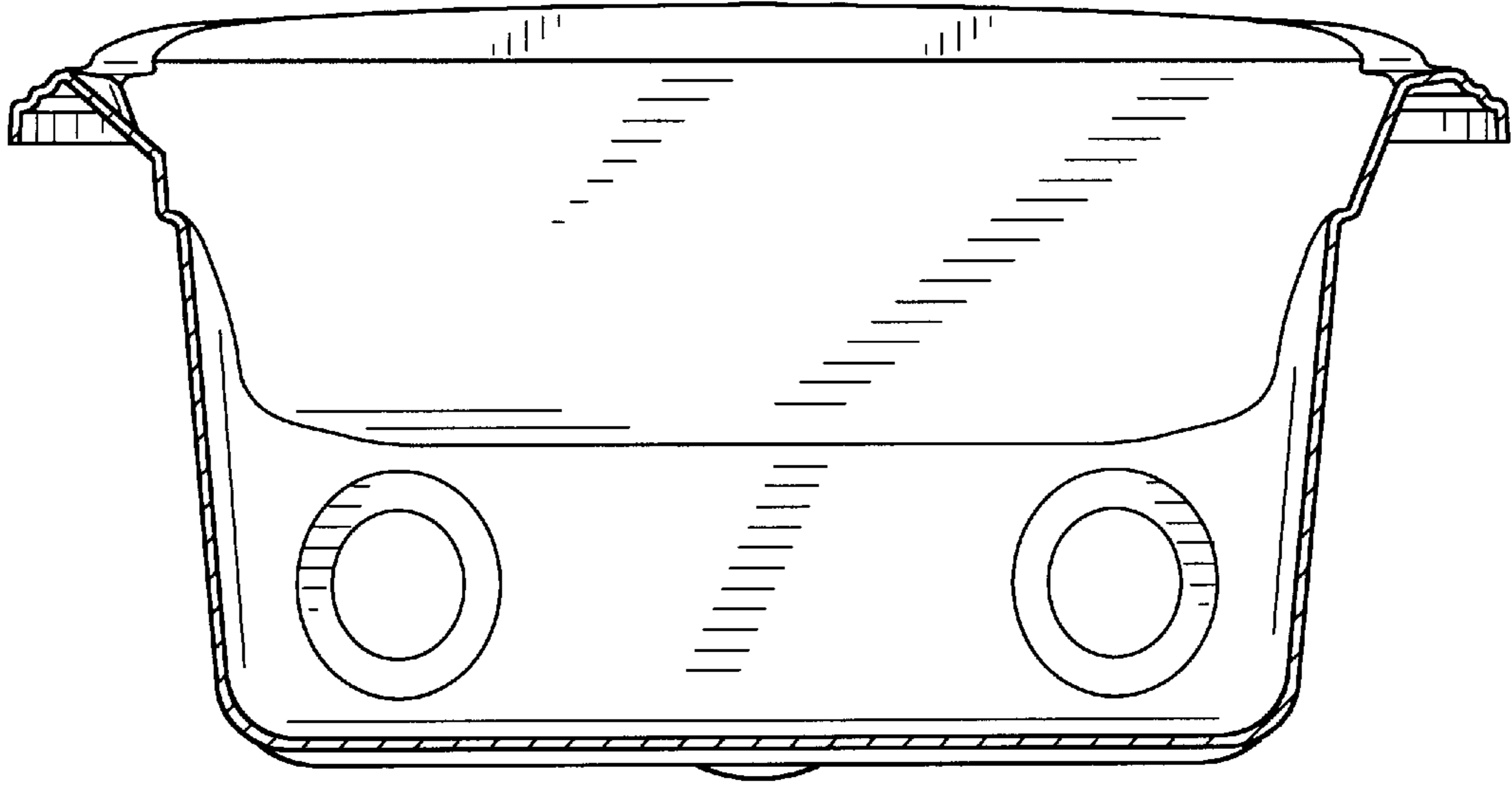


FIG. 8

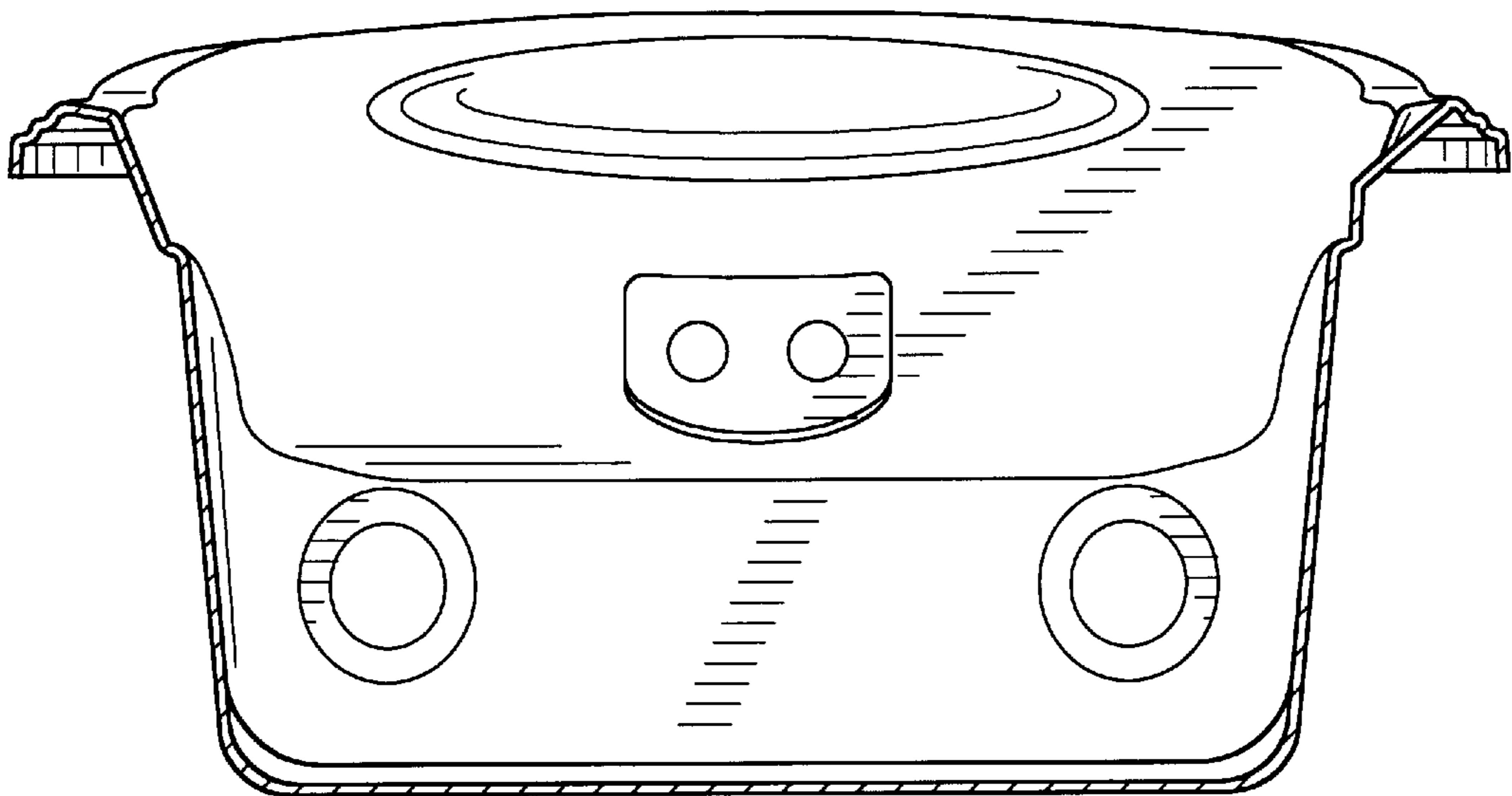


FIG. 9