



US00D435297S

United States Patent [19]

Magray et al.

[11] Patent Number: **Des. 435,297**

[45] Date of Patent: **** Dec. 19, 2000**

[54] **CORNER WATERFALL FOR SPA OR POOL**

[75] Inventors: **Cindi Magray; Robert Magray**, both of Odessa, Fla.; **Tiffany D. Pope; James S. Pope**, both of Satsuma, Ala.

[73] Assignees: **Spa and Tub Manufacturers**, Chickasaw, Ala.; **Spa Manufacturers, Inc.**, Clearwater, Fla.

[**] Term: **14 Years**

[21] Appl. No.: **29/099,527**

[22] Filed: **Jan. 22, 1999**

[51] **LOC (7) Cl.** **24-04**

[52] **U.S. Cl.** **D24/204**

[58] **Field of Search** D24/200, 201, D24/204, 205; 4/507, 506, 541.1-541.6; 40/406, 407, 439; 160/84.04, 84.03, 84.01; 362/96, 227, 101, 800, 811; D23/201; D26/24, 51

[56] **References Cited**

U.S. PATENT DOCUMENTS

3,644,726 2/1972 Pfeuffer 40/406

4,352,149	9/1982	Stetler	362/96
5,349,771	9/1994	Burnett	40/406
5,388,285	2/1995	Belniak	4/507
5,649,583	7/1997	Hsu	160/84.05

Primary Examiner—Stella Reid
Attorney, Agent, or Firm—Dennis G. LaPointe; Mason & Assoc., PA

[57] **CLAIM**

We claim the ornamental design for corner waterfall for spa or pool, as shown and described.

DESCRIPTION

FIG. 1 is a top plan view of a corner waterfall for spa or pool, showing our new design;

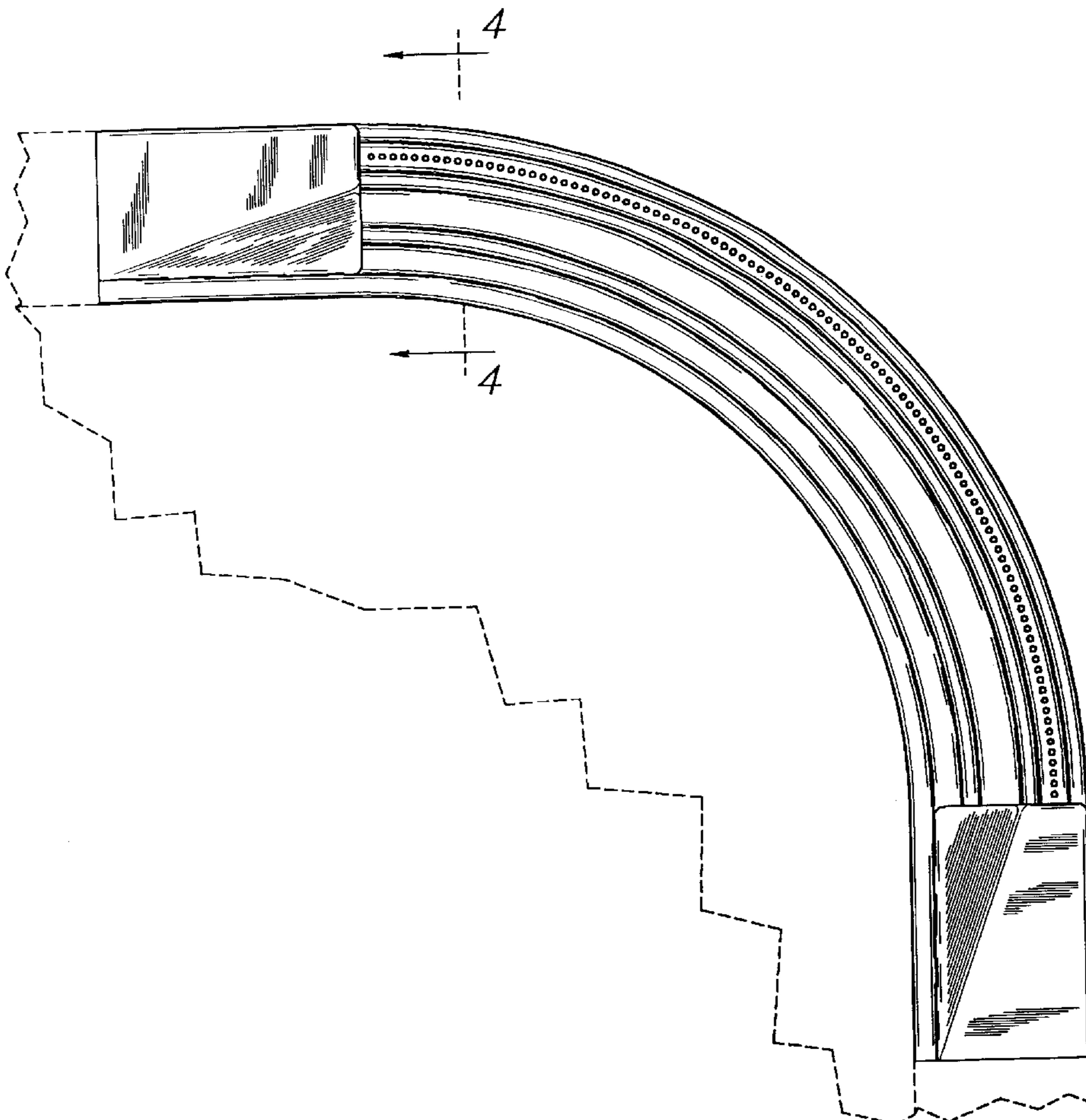
FIG. 2 is a side elevational view thereof;

FIG. 3 is an enlarged, fragmentary perspective view thereof; and,

FIG. 4 is a cross-sectional view thereof, taken along line 4—4 of FIG. 1.

The brokenline showing in the views is for illustrative purposes only and form no part of the claimed design.

1 Claim, 2 Drawing Sheets



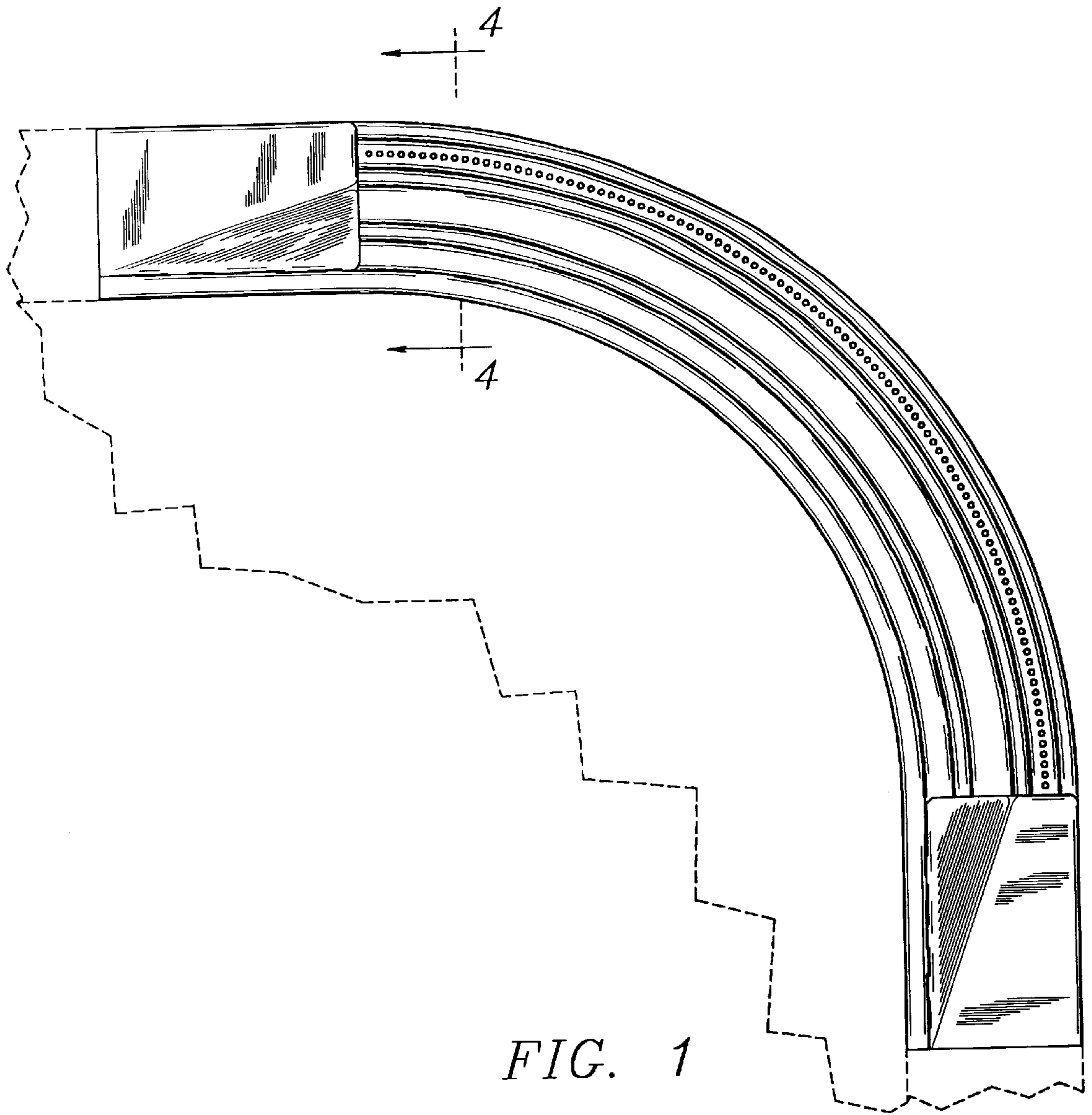


FIG. 1

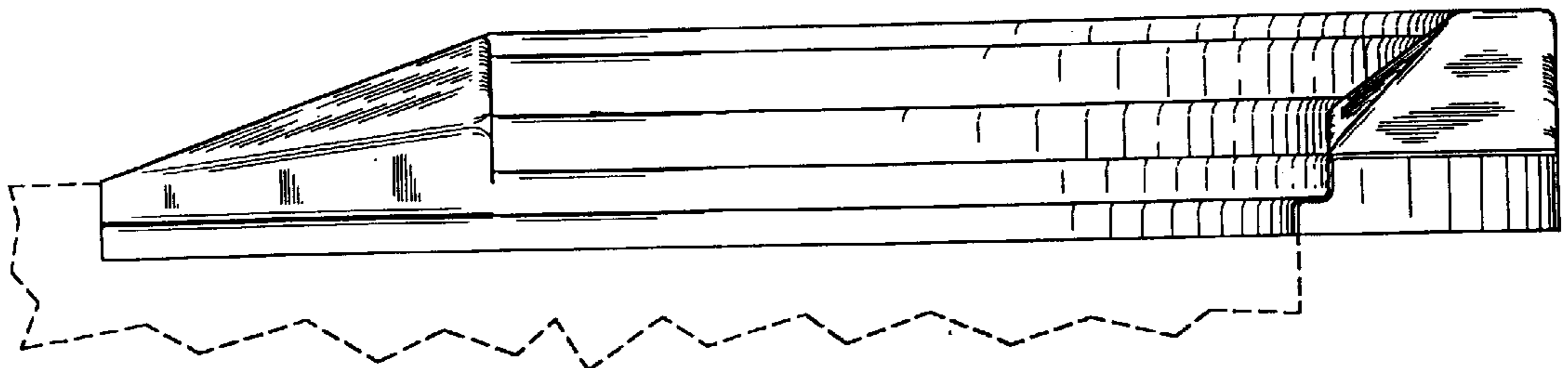


FIG. 2

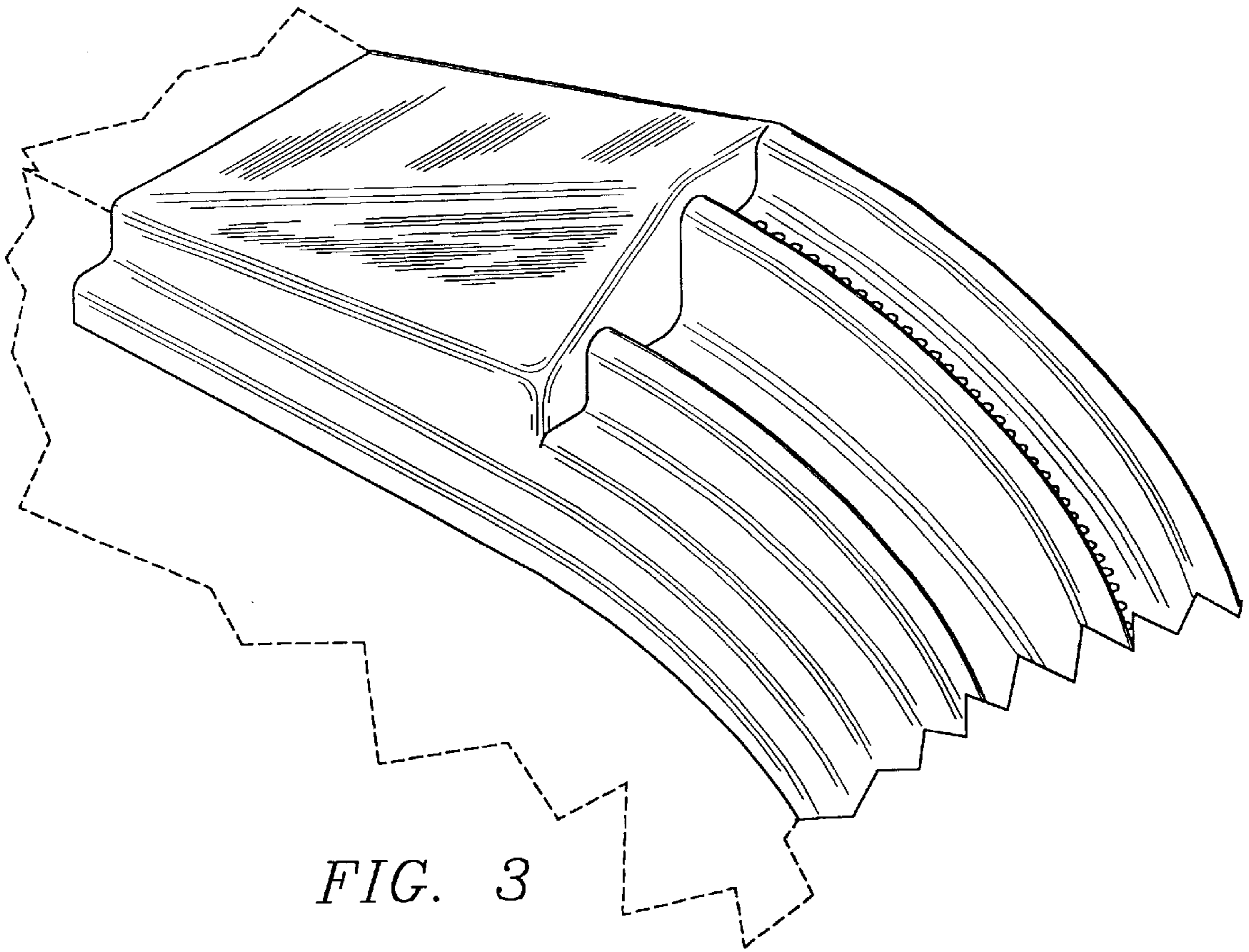


FIG. 3

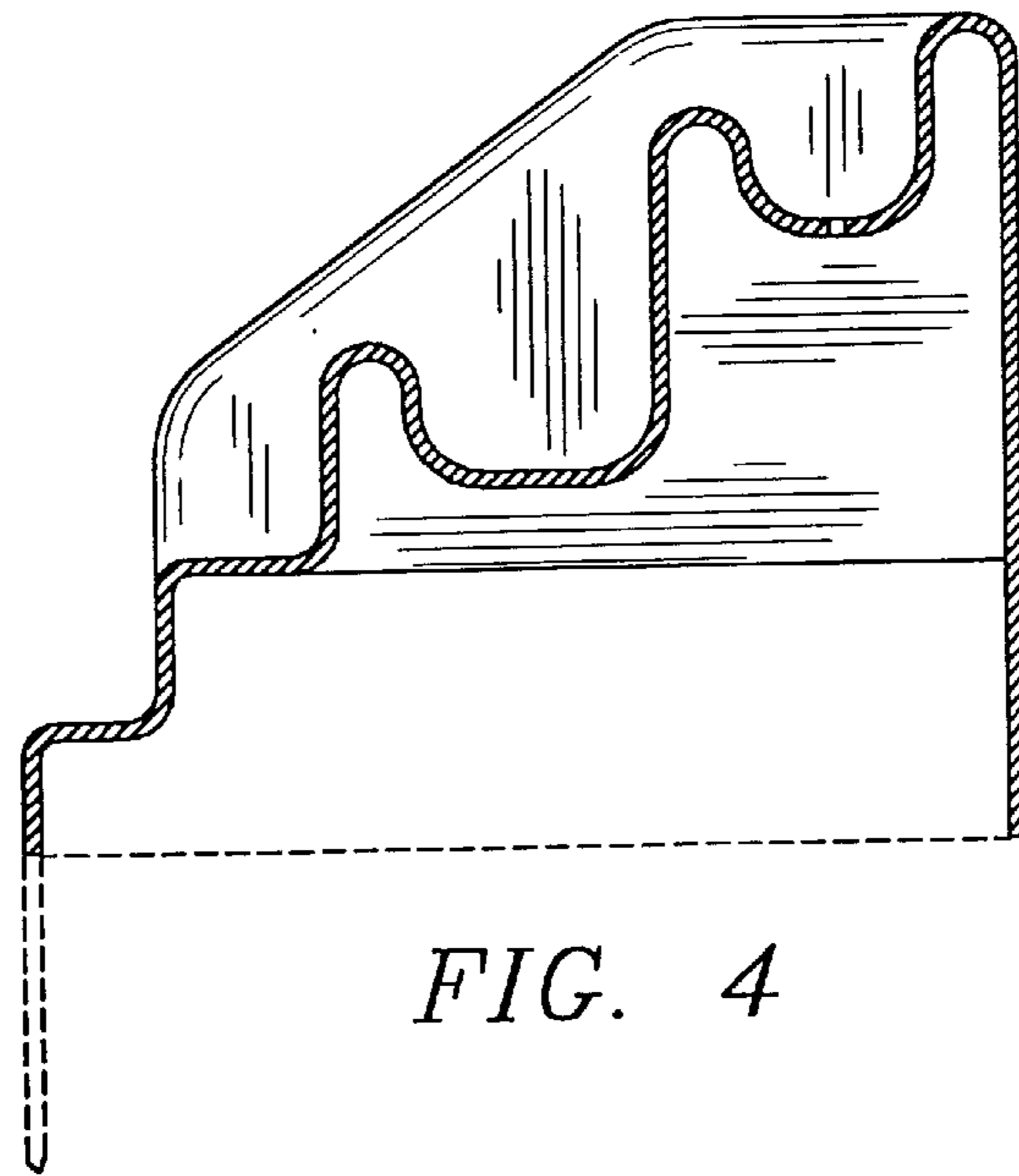


FIG. 4