



US00D435291S

United States Patent [19]

Asfora

[11] **Patent Number: Des. 435,291**

[45] **Date of Patent: ** Dec. 19, 2000**

[54] **SUBDURAL VACUUM PORT**

[76] **Inventor: Wilson T. Asfora, 1500 W. 22nd St., Suite 101, Sioux Falls, S. Dak. 57105**

[**] **Term: 14 Years**

[21] **Appl. No.: 29/105,951**

[22] **Filed: Jun. 4, 1999**

[51] **LOC (7) Cl. 24-02**

[52] **U.S. Cl. D24/129**

[58] **Field of Search D23/259, 262; D24/108, 112, 127, 129, 130; 604/19, 27, 35, 176, 264, 275, 408**

[56] **References Cited**

U.S. PATENT DOCUMENTS

D. 339,417 9/1993 Sampson et al. D24/129
5,700,257 12/1997 Minick et al. 604/408

FOREIGN PATENT DOCUMENTS

635245 3/1983 Switzerland 604/408

Primary Examiner—Alan P. Douglas
Assistant Examiner—Reid Hecker
Attorney, Agent, or Firm—Kaardal&Associates, PC

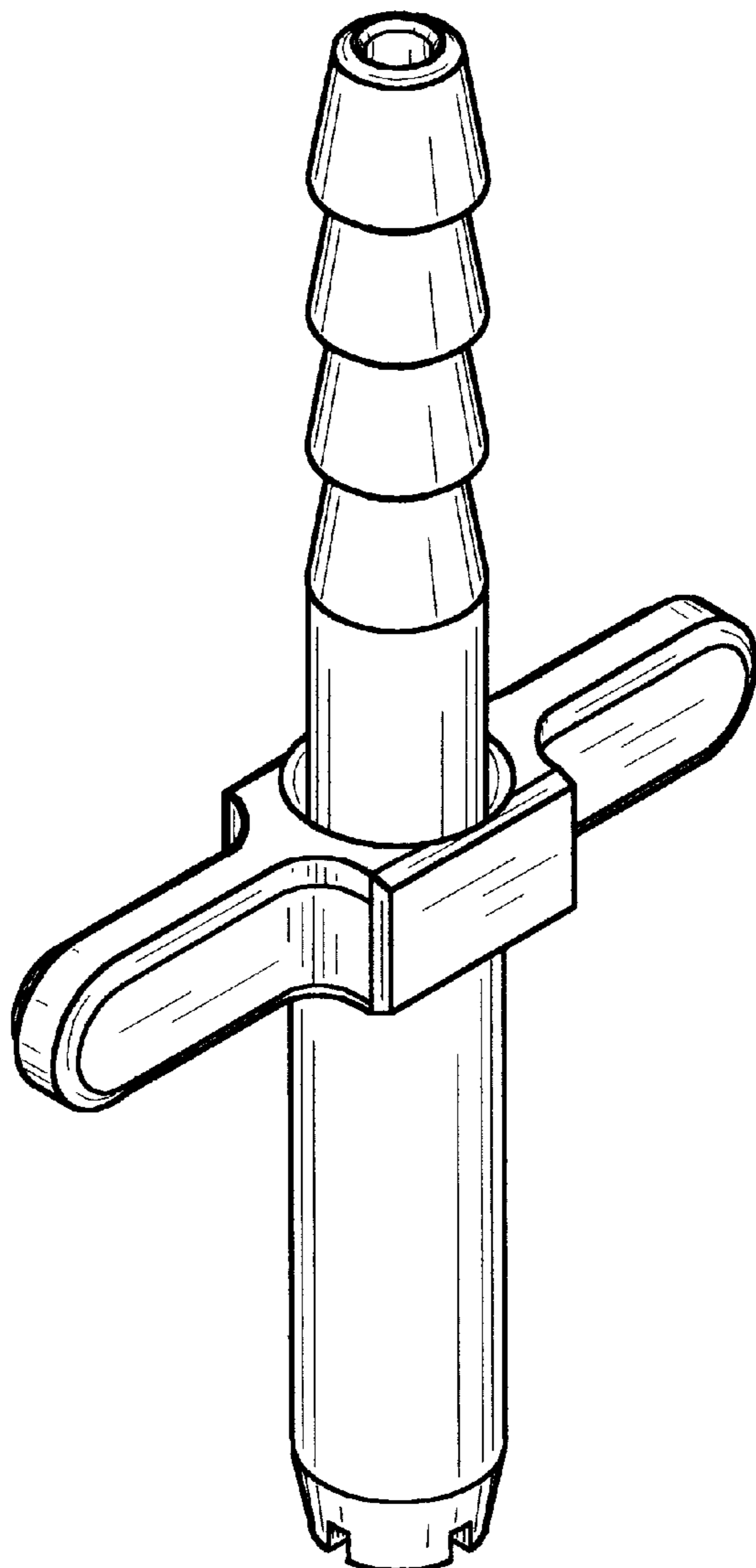
[57] **CLAIM**

The ornamental design for a subdural vacuum port, as shown and described.

DESCRIPTION

FIG. 1 is a top perspective view of the subdural vacuum port of the instant invention; and, FIG. 2 is a bottom perspective view of the subdural vacuum port illustrated in FIG. 1, further stating that the device is symmetrical and that side views/end views will not add further clarity to the claimed ornamental design.

1 Claim, 2 Drawing Sheets



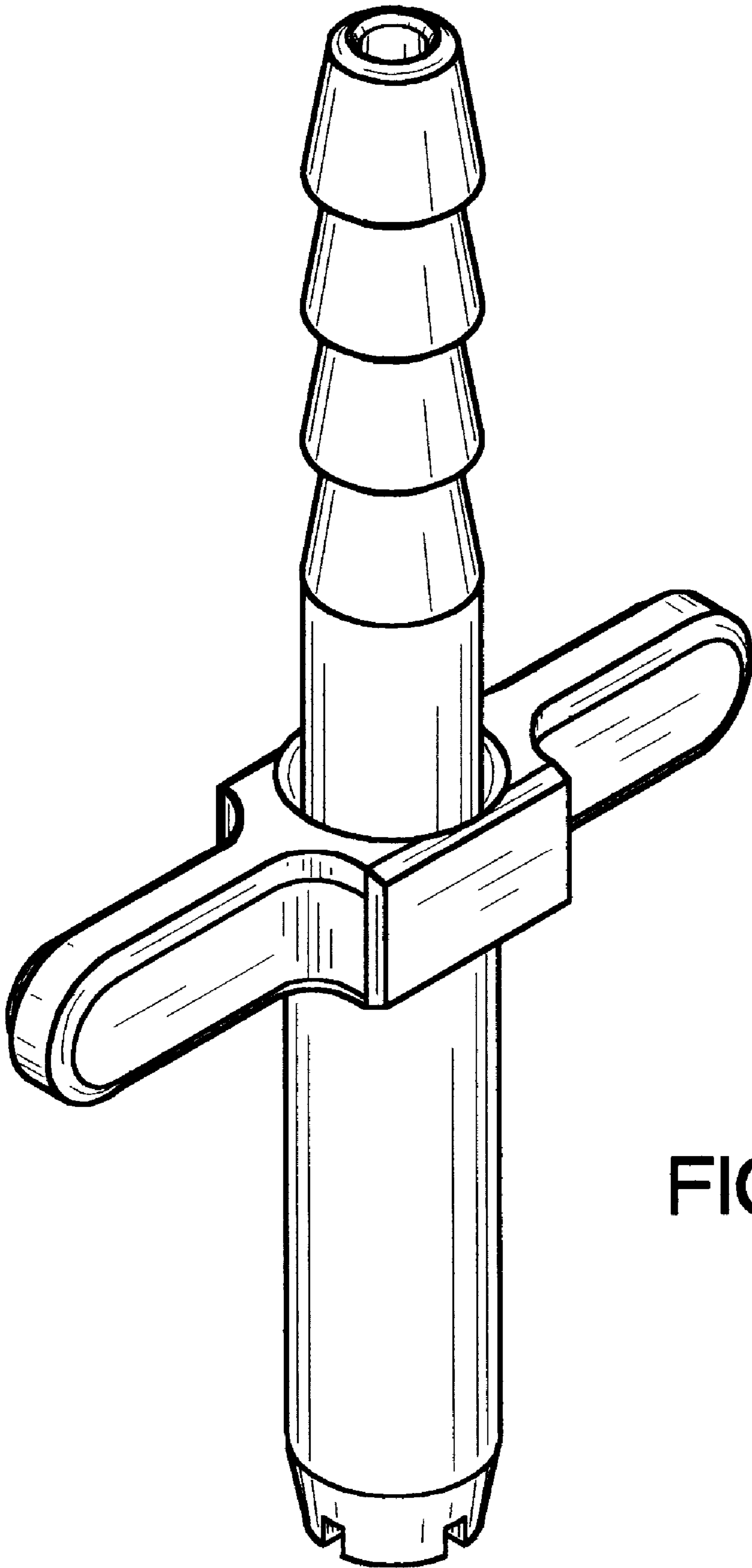


FIG. 1

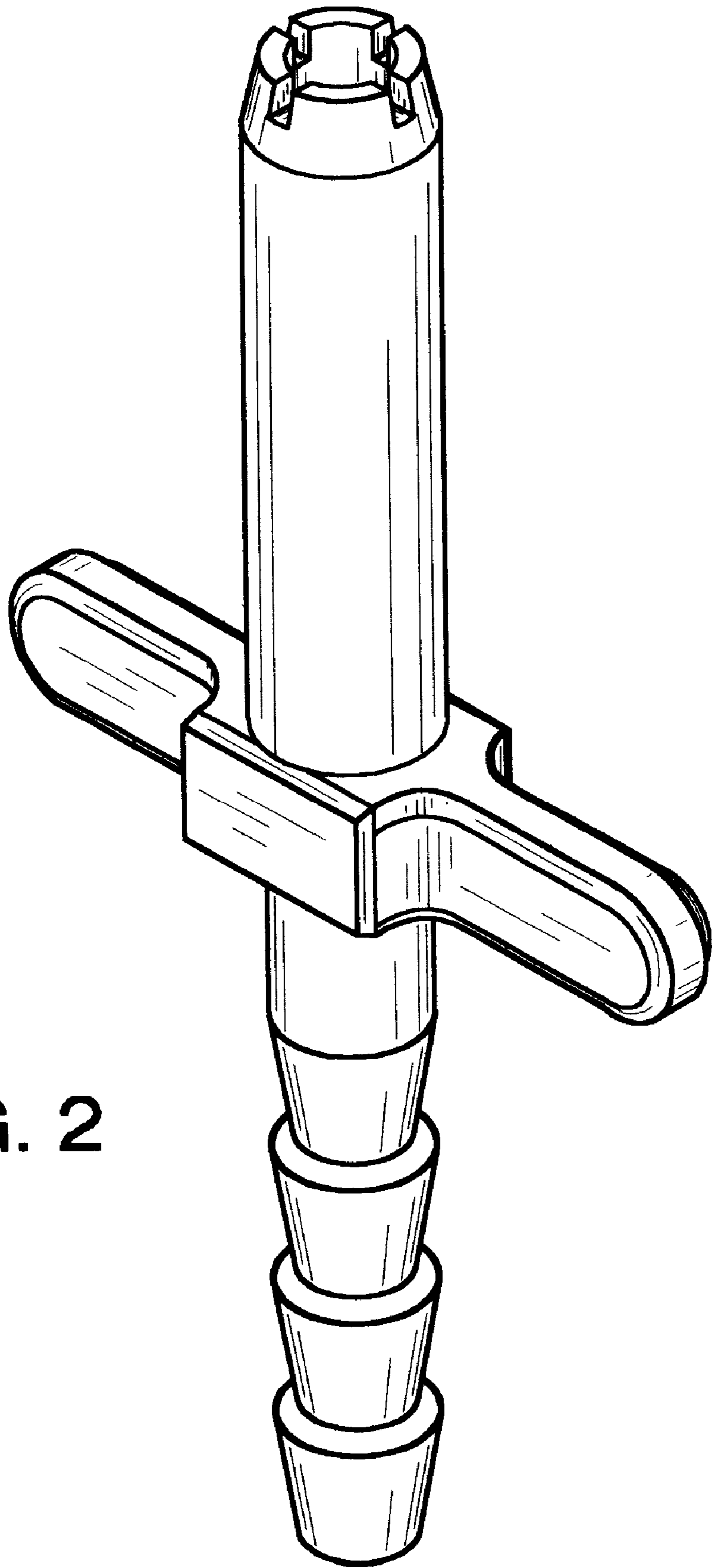


FIG. 2