



US00D435289S

**United States Patent** [19]  
**Liu**

[11] **Patent Number: Des. 435,289**

[45] **Date of Patent: \*\* Dec. 19, 2000**

[54] **COMBINED CEILING FAN MOTOR HOUSING, BRACKETS AND LIGHT FIXTURE UNIT**

[75] Inventor: **Chen-Tzu Liu**, Fengyuan, Taiwan

[73] Assignee: **Pan Air Electric Co., Ltd.**, Taichung, Taiwan

[\*\*] Term: **14 Years**

[21] Appl. No.: **29/089,720**

[22] Filed: **Jun. 22, 1998**

[51] **LOC (7) Cl.** ..... **23-04**

[52] **U.S. Cl.** ..... **D23/411; D23/377; D23/379; D23/385; D26/85**

[58] **Field of Search** ..... **D23/377, 379, D23/385, 411; 416/5; 392/364; 362/96; D26/81-86, 51, 59, 88, 72**

[56] **References Cited**  
**PUBLICATIONS**

Hunter Fan Co. Cat., p 85, ceiling Fan (A), right middle side of page.  
Casablanca Fan Co. Cat, p 10, Ceiling Fan (B), right middle side of page.

*Primary Examiner*—Lisa Lichtenstein  
*Attorney, Agent, or Firm*—Rosenberg, Klein & Bilker

[57] **CLAIM**

The ornamental design for a combined ceiling fan motor housing, brackets and light fixture unit, as shown and described.

**DESCRIPTION**

FIG. 1 is a front-left-bottom perspective view of a combined ceiling fan motor housing, brackets and light fixture unit showing my new design;

FIG. 2 is an enlarged front elevational view thereof;

FIG. 3 is an enlarged rear elevational view thereof;

FIG. 4 is an enlarged left side view thereof;

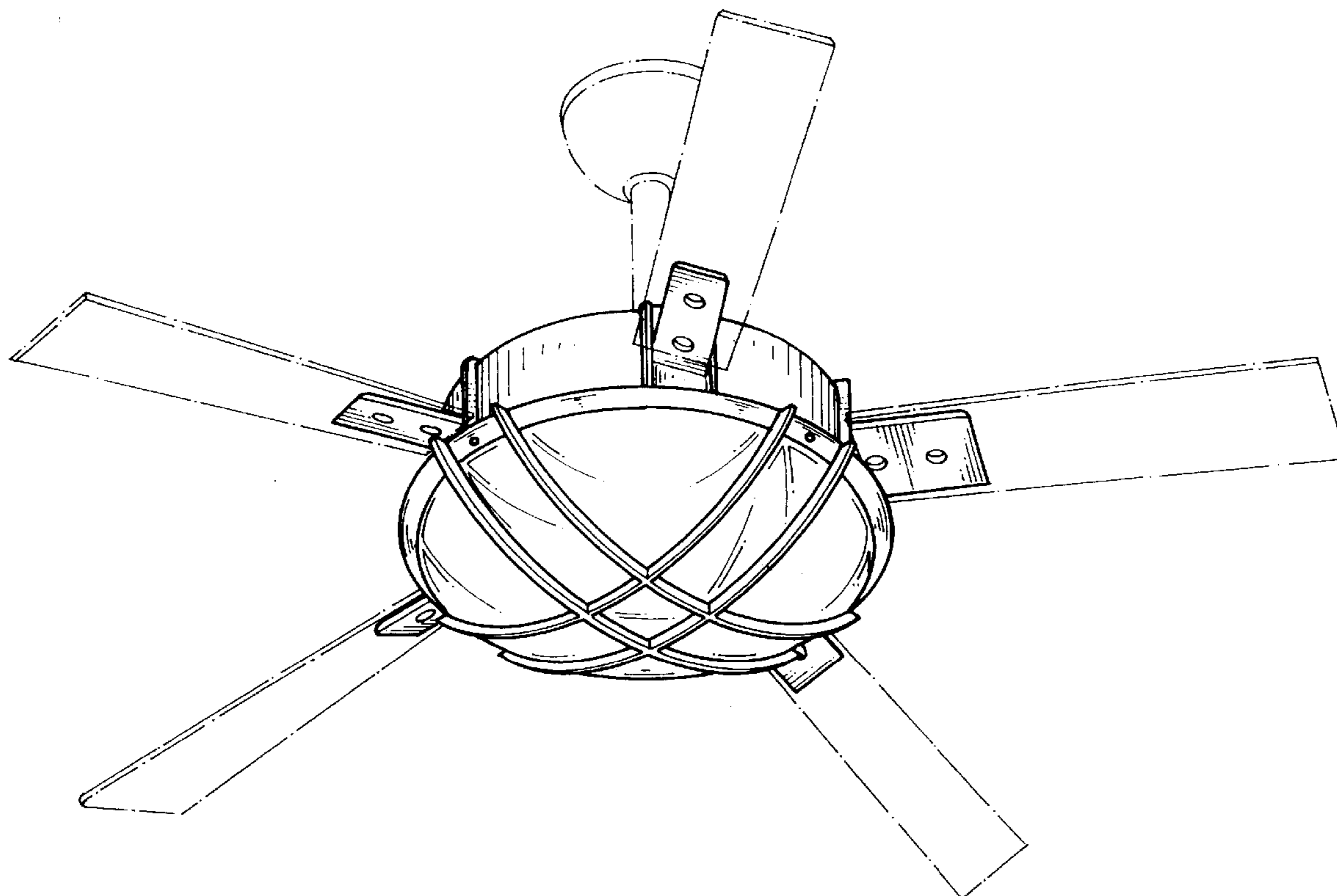
FIG. 5 is an enlarged right side view thereof;

FIG. 6 is an enlarged top plan view thereof;

FIG. 7 is an enlarged bottom plan view thereof; and,

FIG. 8 is a front-left bottom perspective view thereof, the broken line showing of environmental structure being for illustrative purposes only, and forms no part of the claimed design.

**1 Claim, 8 Drawing Sheets**



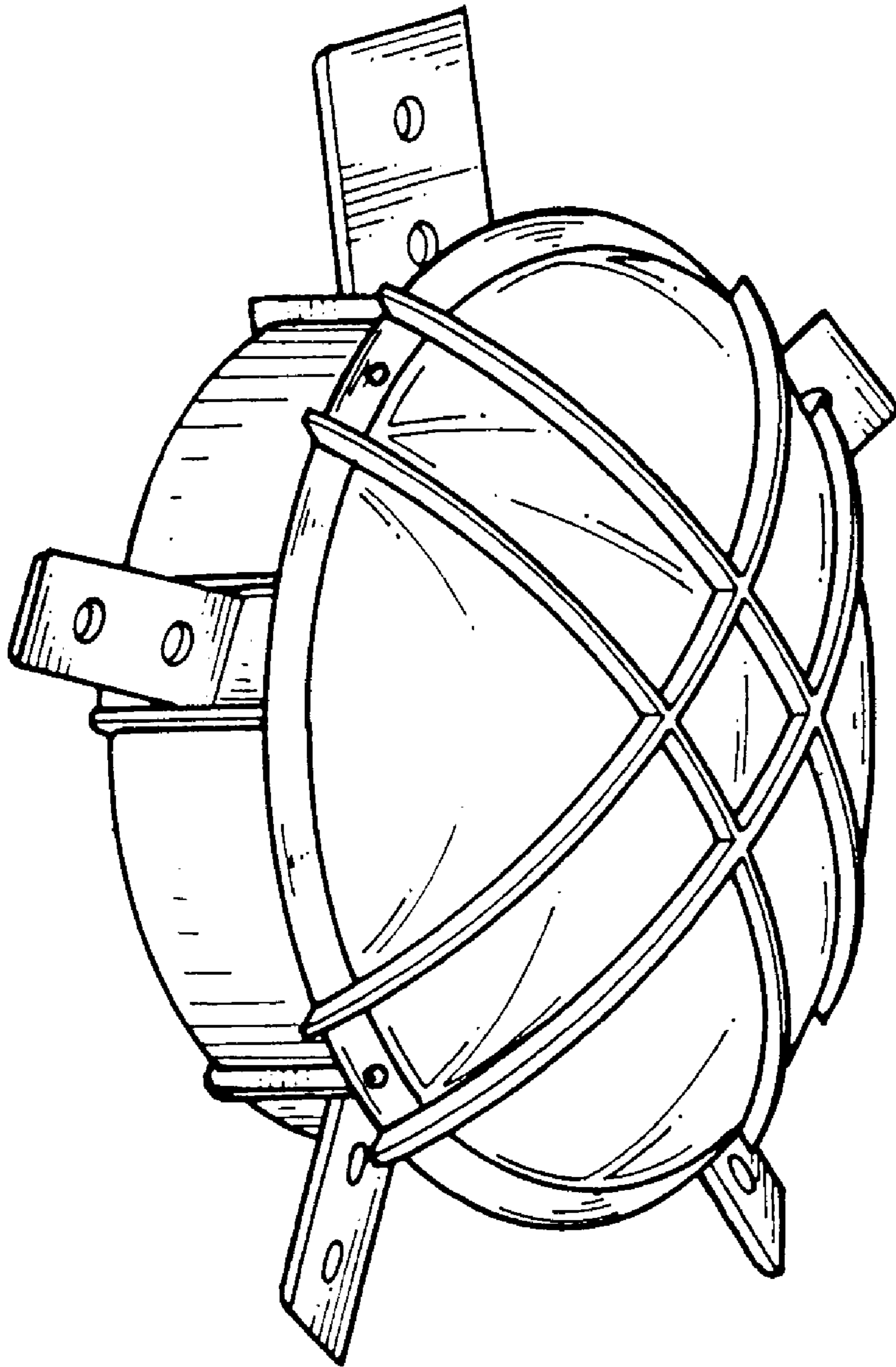


FIG. 1

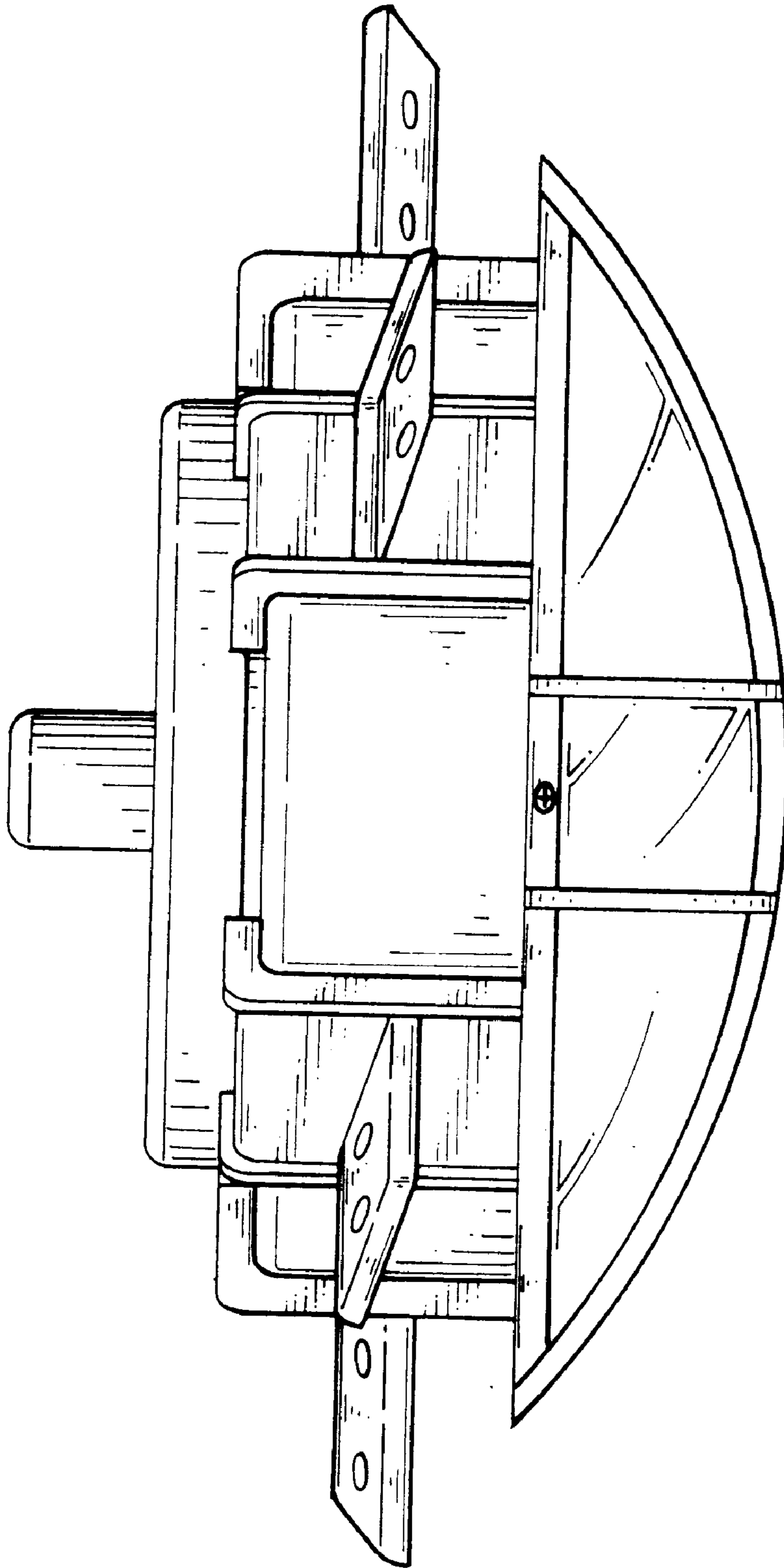


FIG. 2

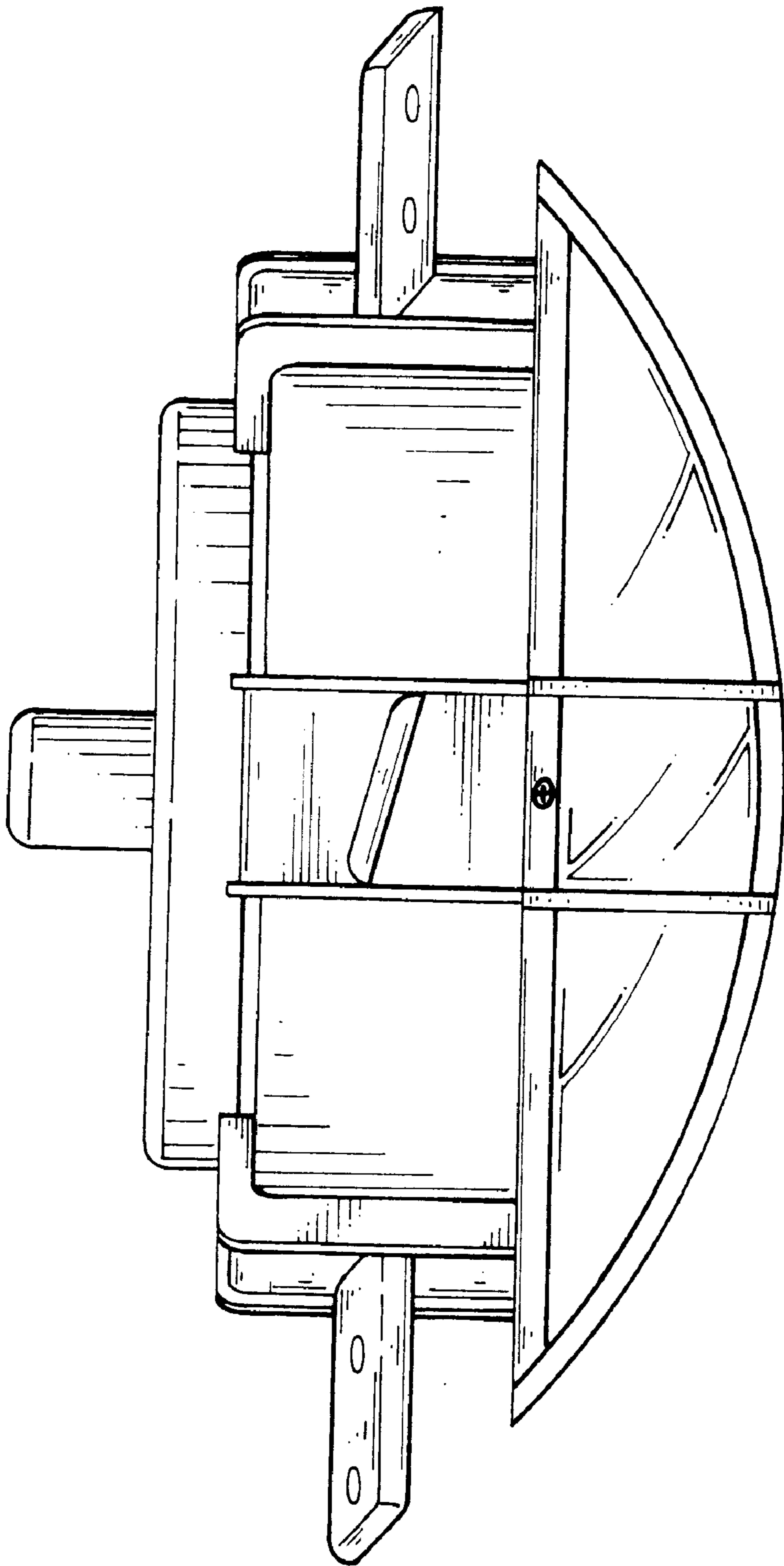


FIG. 3

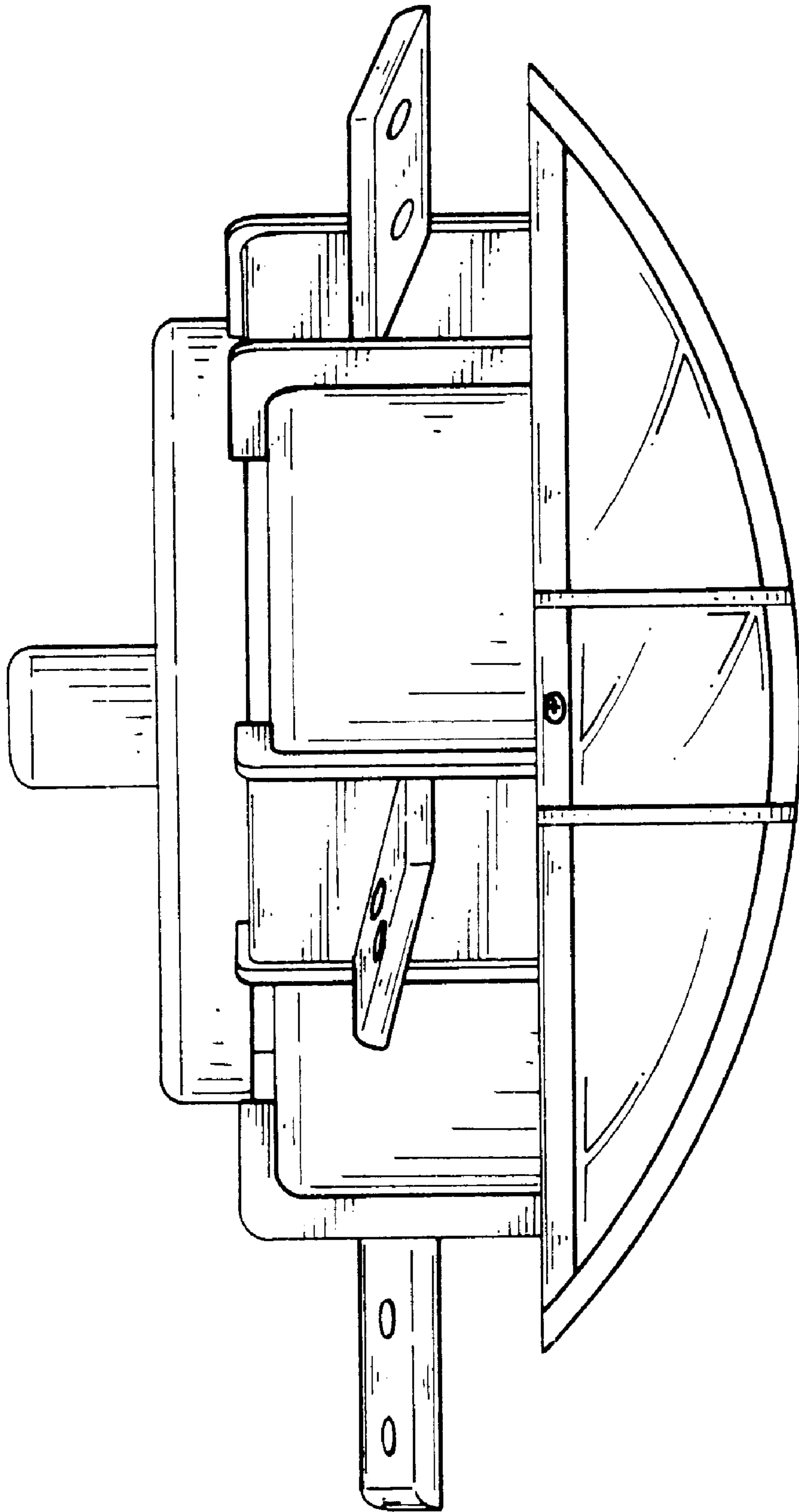


FIG. 4

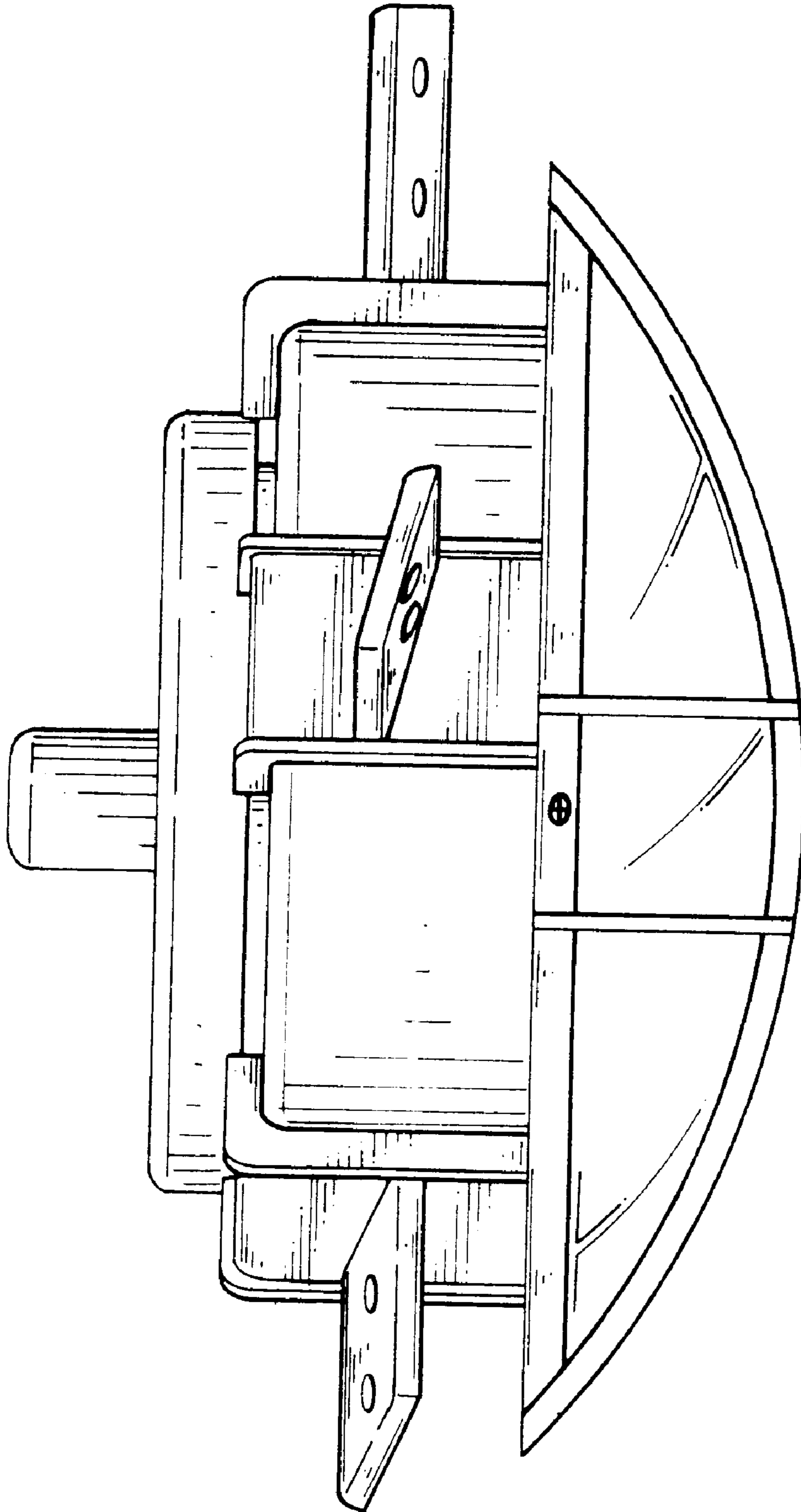


FIG. 5



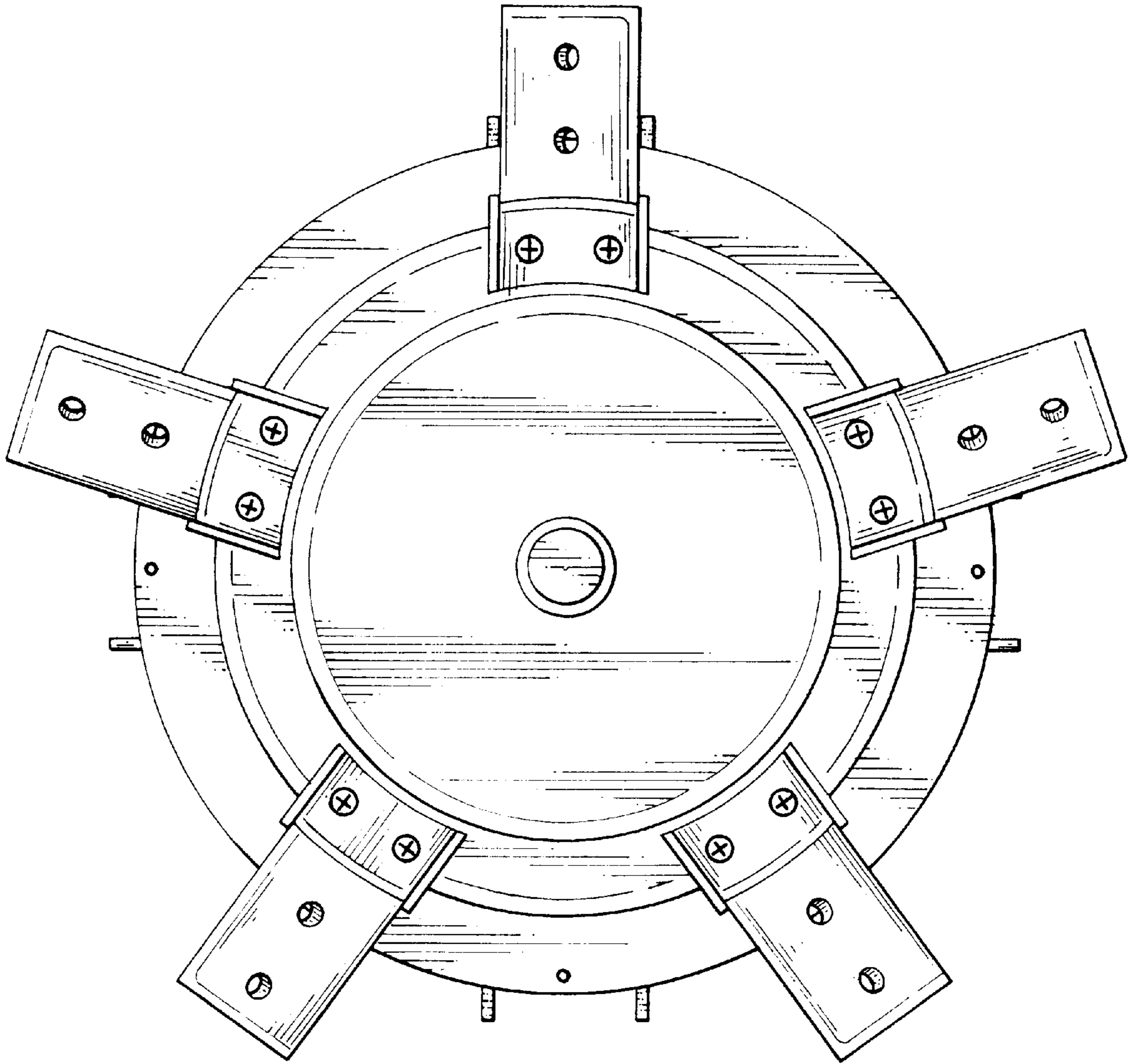


FIG. 6

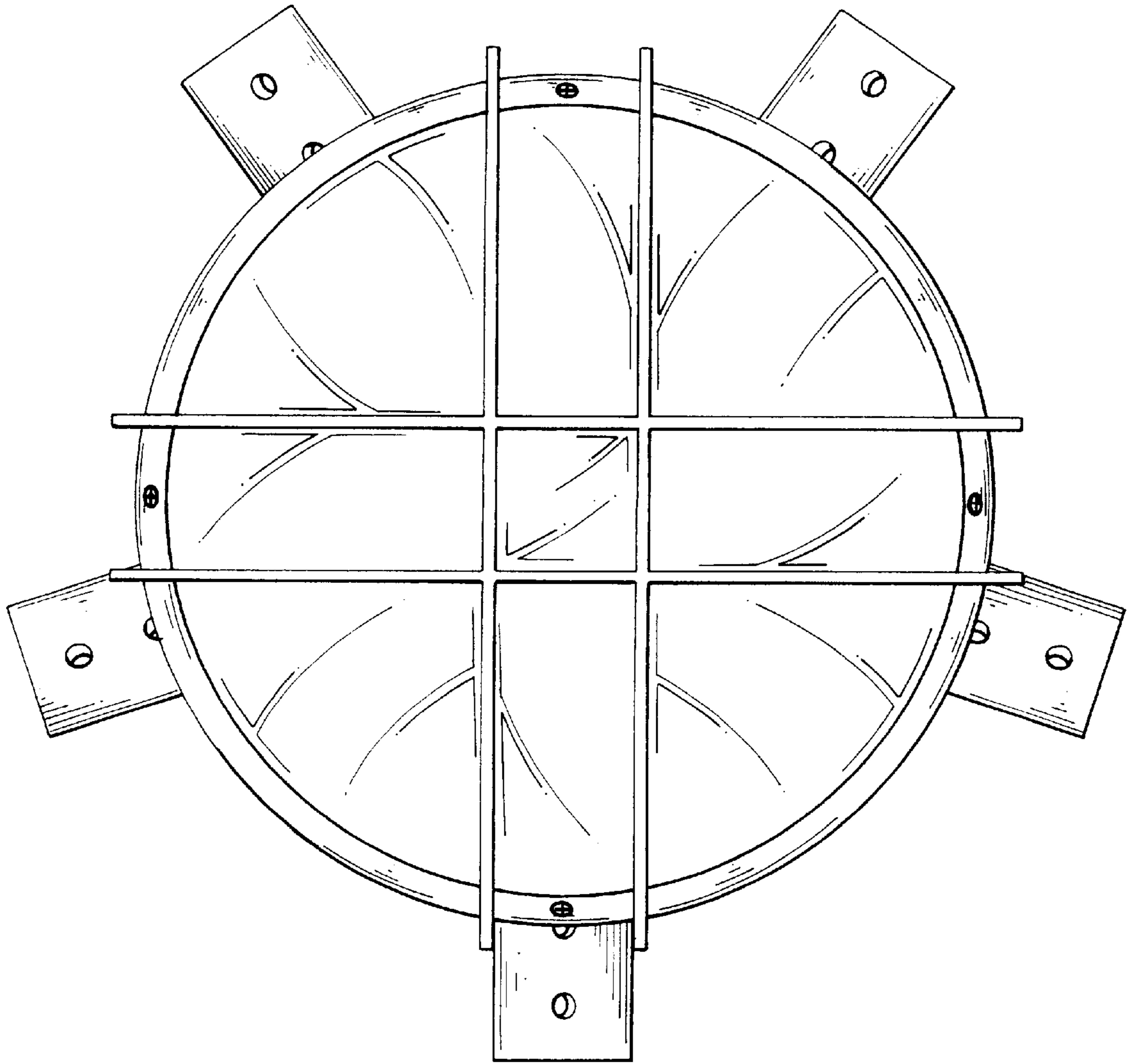


FIG. 7



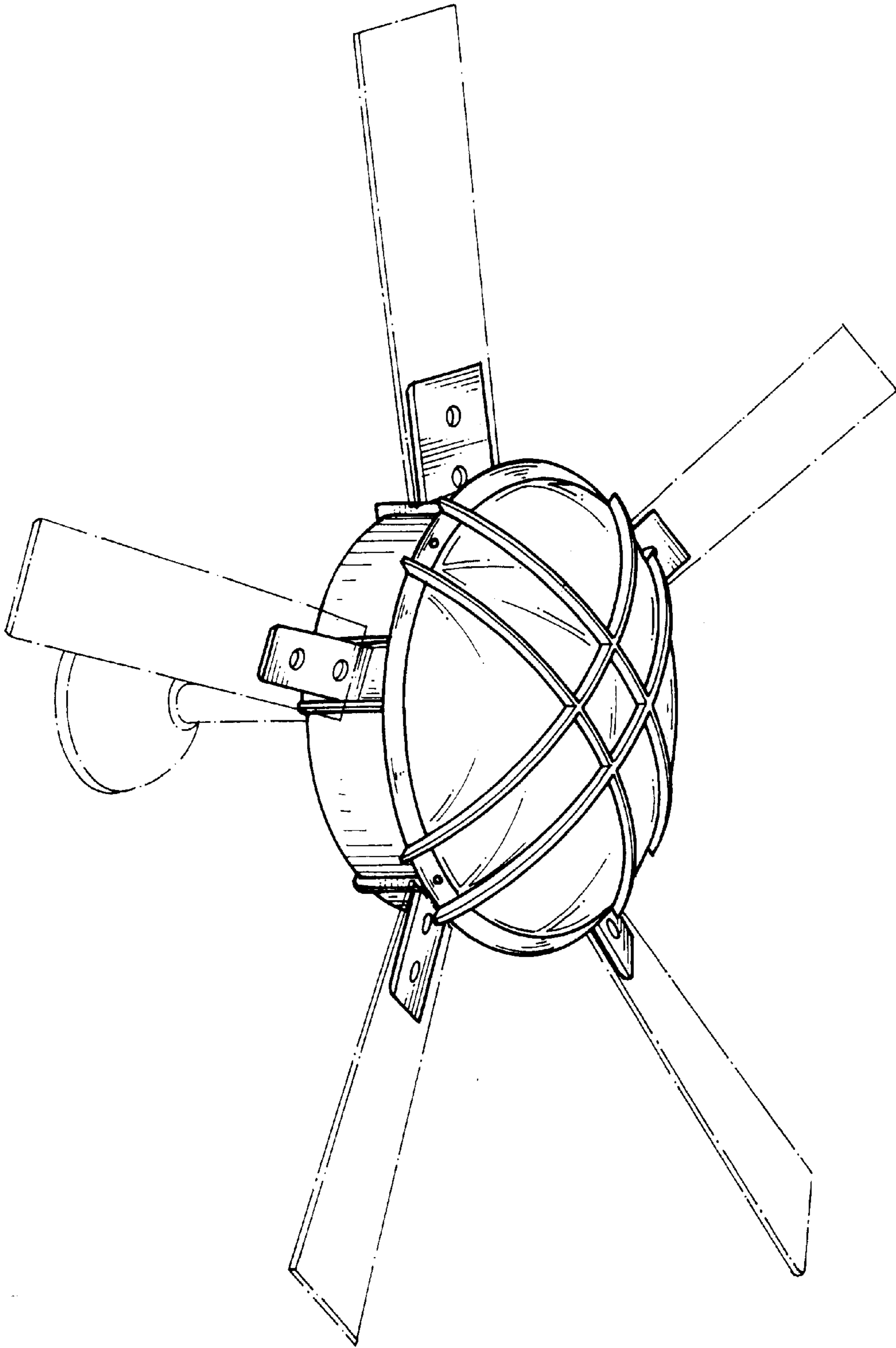


FIG. 8