



US00D435288S

# United States Patent [19]

Milrud et al.

[11] Patent Number: Des. 435,288

[45] Date of Patent: \*\* Dec. 19, 2000

[54] **SHOWER CONTROL ASSEMBLY**

[75] Inventors: **Eduardo Milrud**, Chagrin Falls; **Daniel C. Buchner**, Lorain, both of Ohio; **John C. Costello**, Wellesley, Mass.; **Svenja Leggewie**; **Stephanie C. Schwarz**, both of Boston, Mass.; **Roy A. Thompson**, Mattapan, Mass.; **Kevin R. Young**, Newton, Mass.

[73] Assignee: **Moen Incorporated**, North Olmsted, Ohio

[\*\*] Term: **14 Years**

[21] Appl. No.: **29/117,741**

[22] Filed: **Jan. 31, 2000**

[51] **LOC (7) Cl.** ..... **23-01**

[52] **U.S. Cl.** ..... **D23/254**

[58] **Field of Search** ..... D23/238-257; D8/300-308, 350-354; 4/675-678; 137/801

[56] **References Cited**

**U.S. PATENT DOCUMENTS**

- D. 22,025 11/1892 Schwendner .
- D. 56,023 8/1920 Newton .
- D. 58,531 8/1921 Anibal ..... D8/352
- D. 60,383 2/1922 Steeple .
- D. 169,435 4/1953 Gredell ..... D23/252
- D. 179,659 2/1957 Schoepe .

- D. 212,093 8/1968 De Smith .
- D. 219,782 1/1971 Tiller .
- D. 277,933 3/1985 Valli .
- D. 291,239 8/1987 Haug et al. .... D23/252
- D. 299,515 1/1989 Fabian ..... D23/250
- D. 304,071 10/1989 Haug et al. .... D23/250
- D. 318,215 7/1991 Fleming ..... D8/301
- D. 379,453 5/1997 Fabrizi .
- D. 402,005 12/1998 Ko ..... D23/252

*Primary Examiner*—Louis S. Zarfaz  
*Assistant Examiner*—Gregory Andoll  
*Attorney, Agent, or Firm*—McEashran, Jambor, Keating, Bock & Kurtz

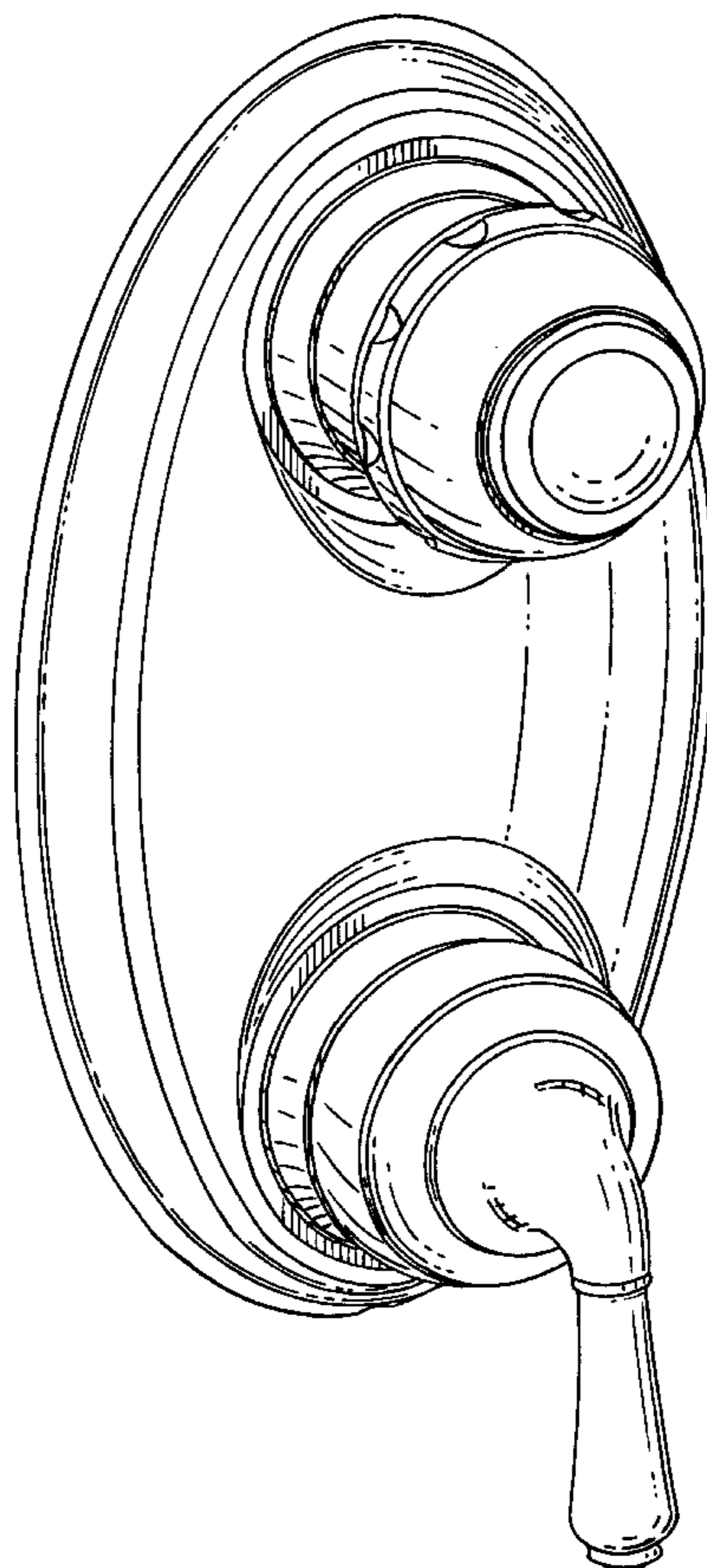
[57] **CLAIM**

The ornamental design for a shower control assembly, as shown and described.

**DESCRIPTION**

FIG. 1 is a front perspective view of our new design for a shower control assembly;  
FIG. 2 is a front view thereof;  
FIG. 3 is a bottom view thereof;  
FIG. 4 is a right view thereof; the left side being the same as the right side;  
FIG. 5 is a top view thereof; and,  
FIG. 6 is a rear view thereof.  
The broken lines in the Figures are for illustrative purposes only and form no part of the claimed design.

**1 Claim, 4 Drawing Sheets**



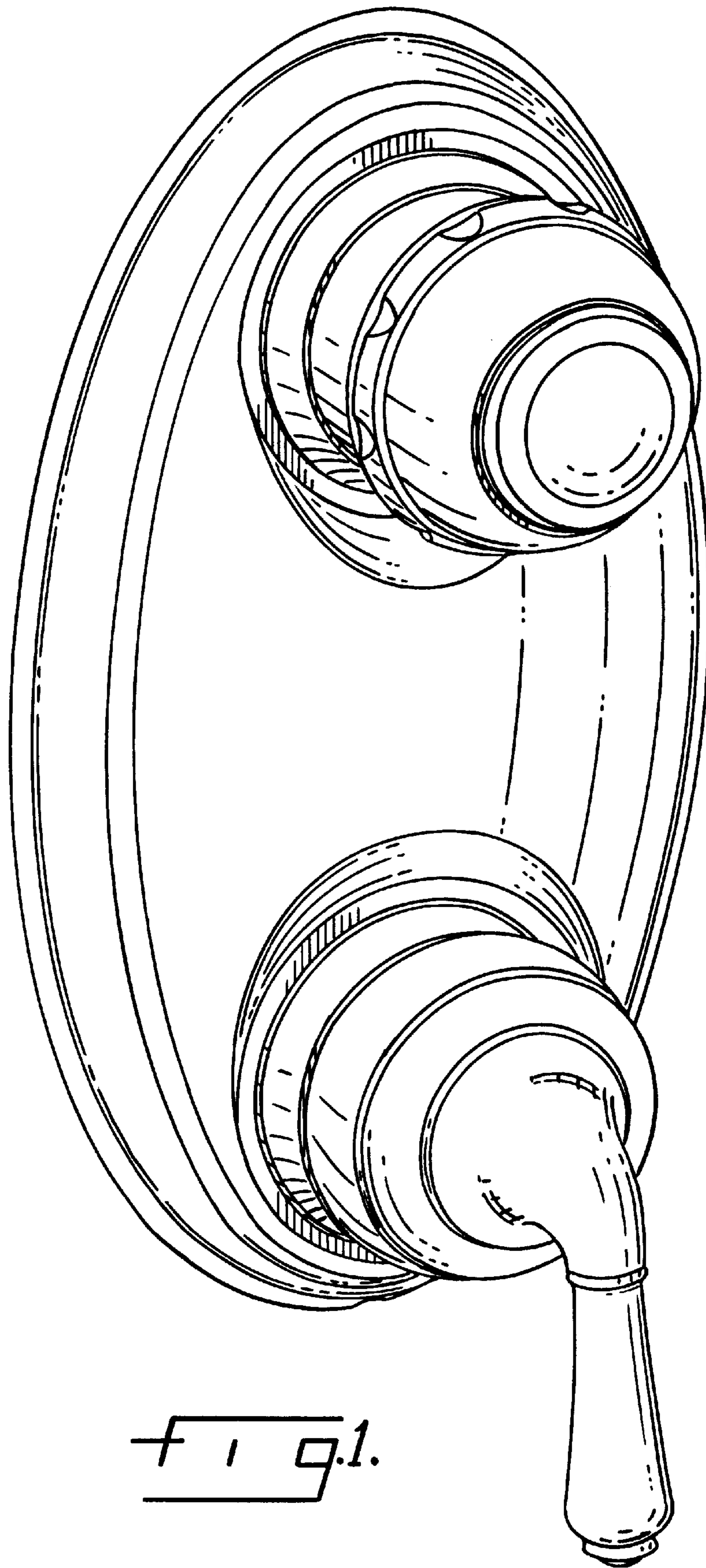


Fig. 1.

FIG. 2.

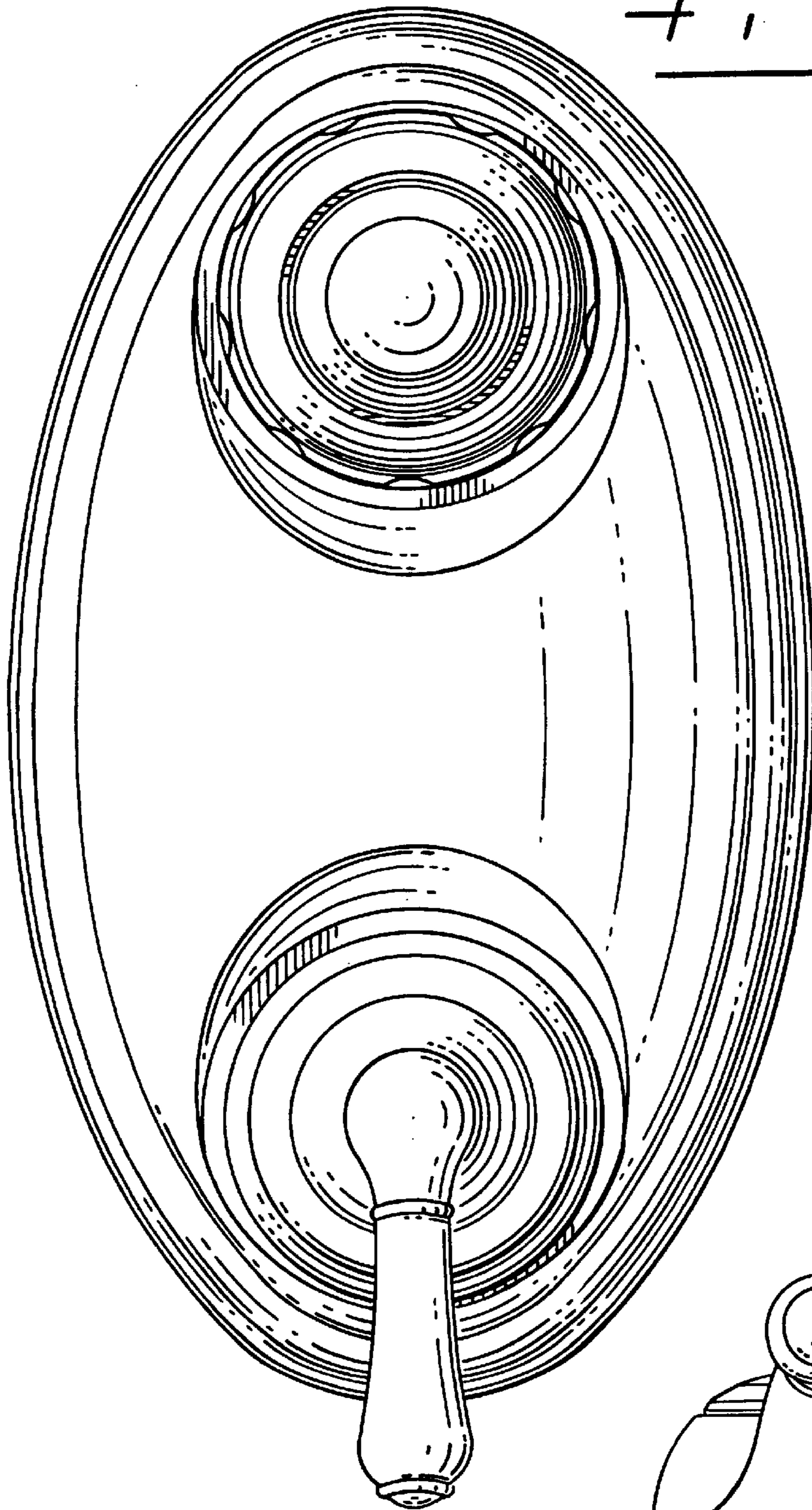
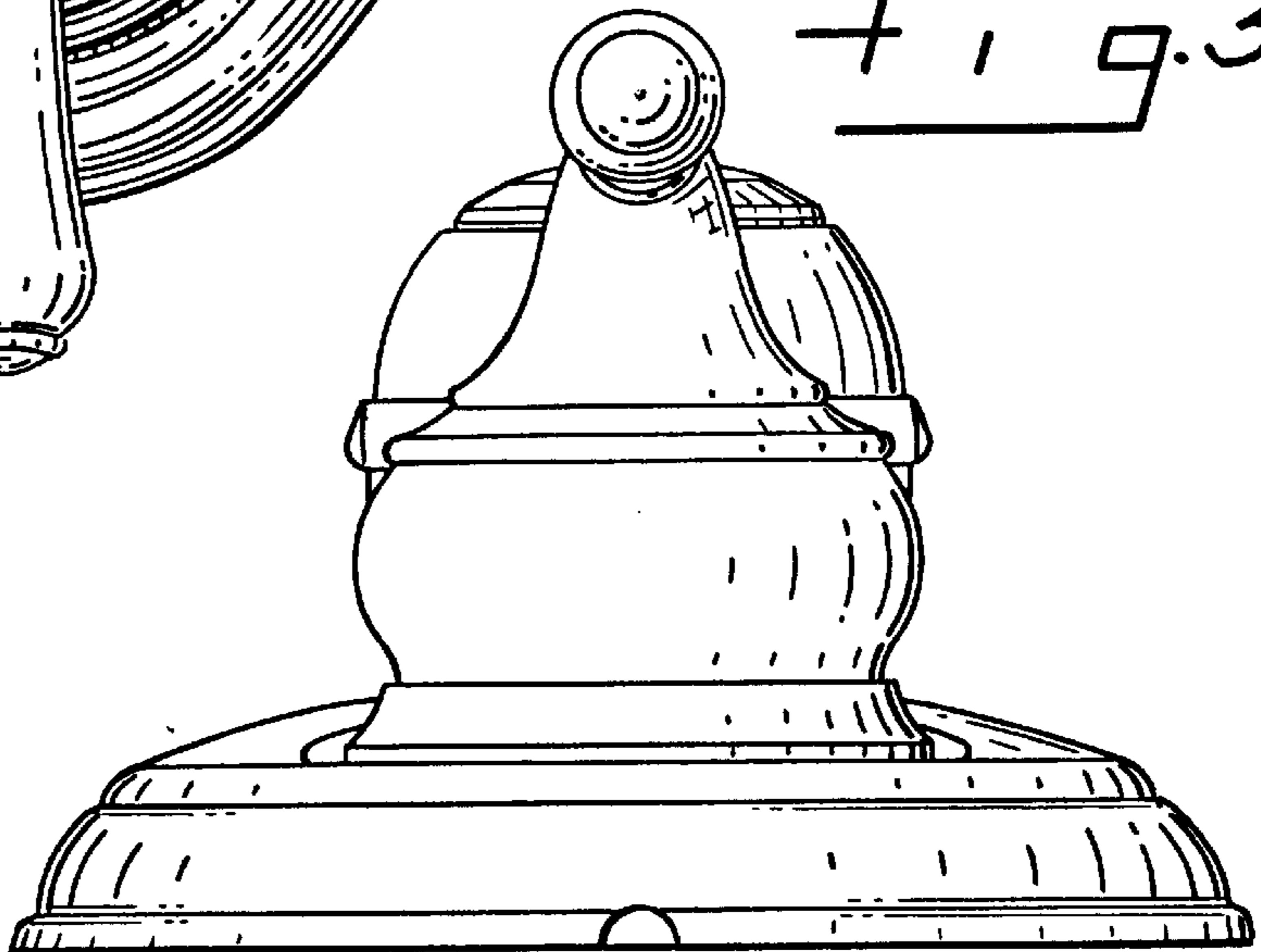
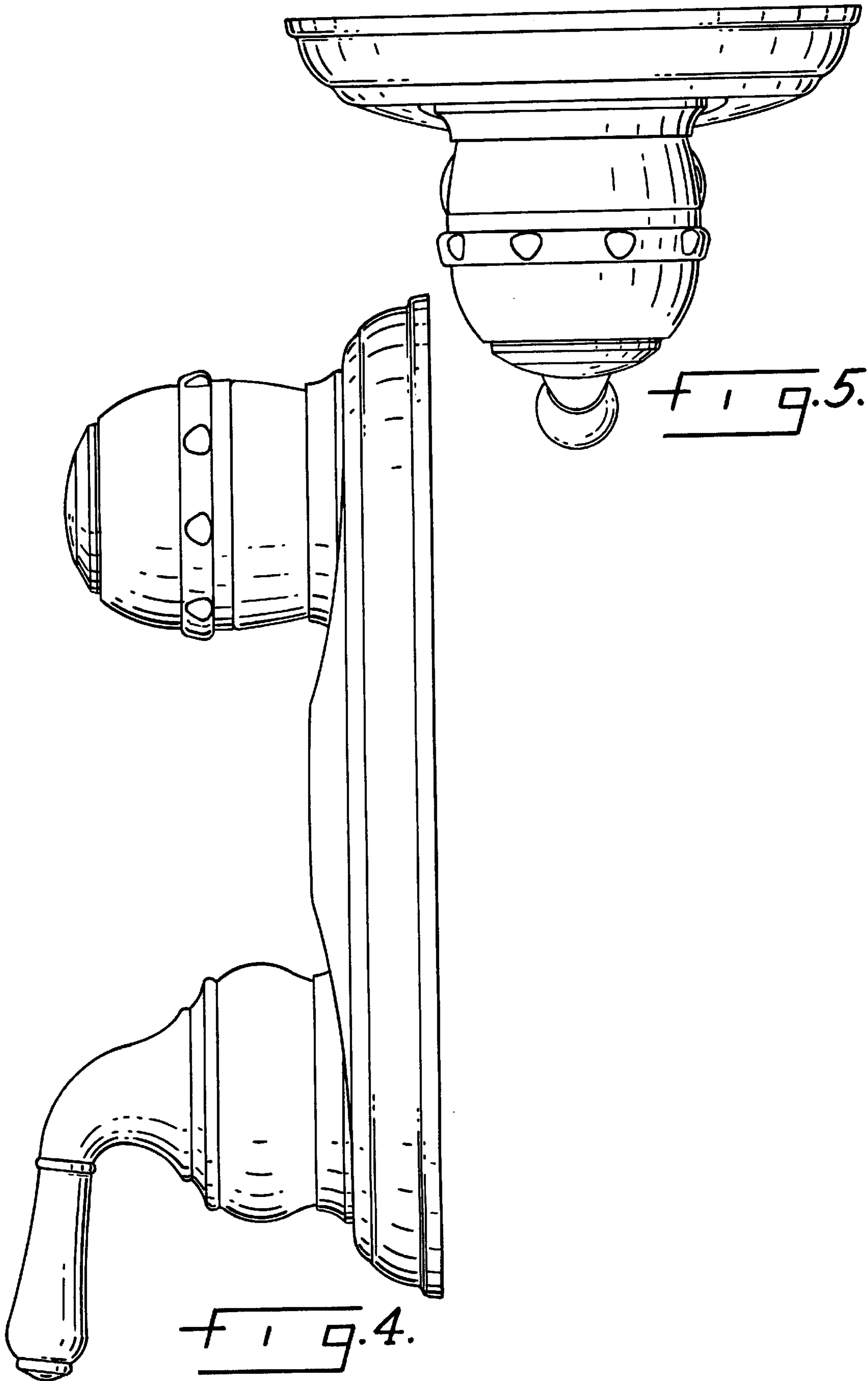


FIG. 3.





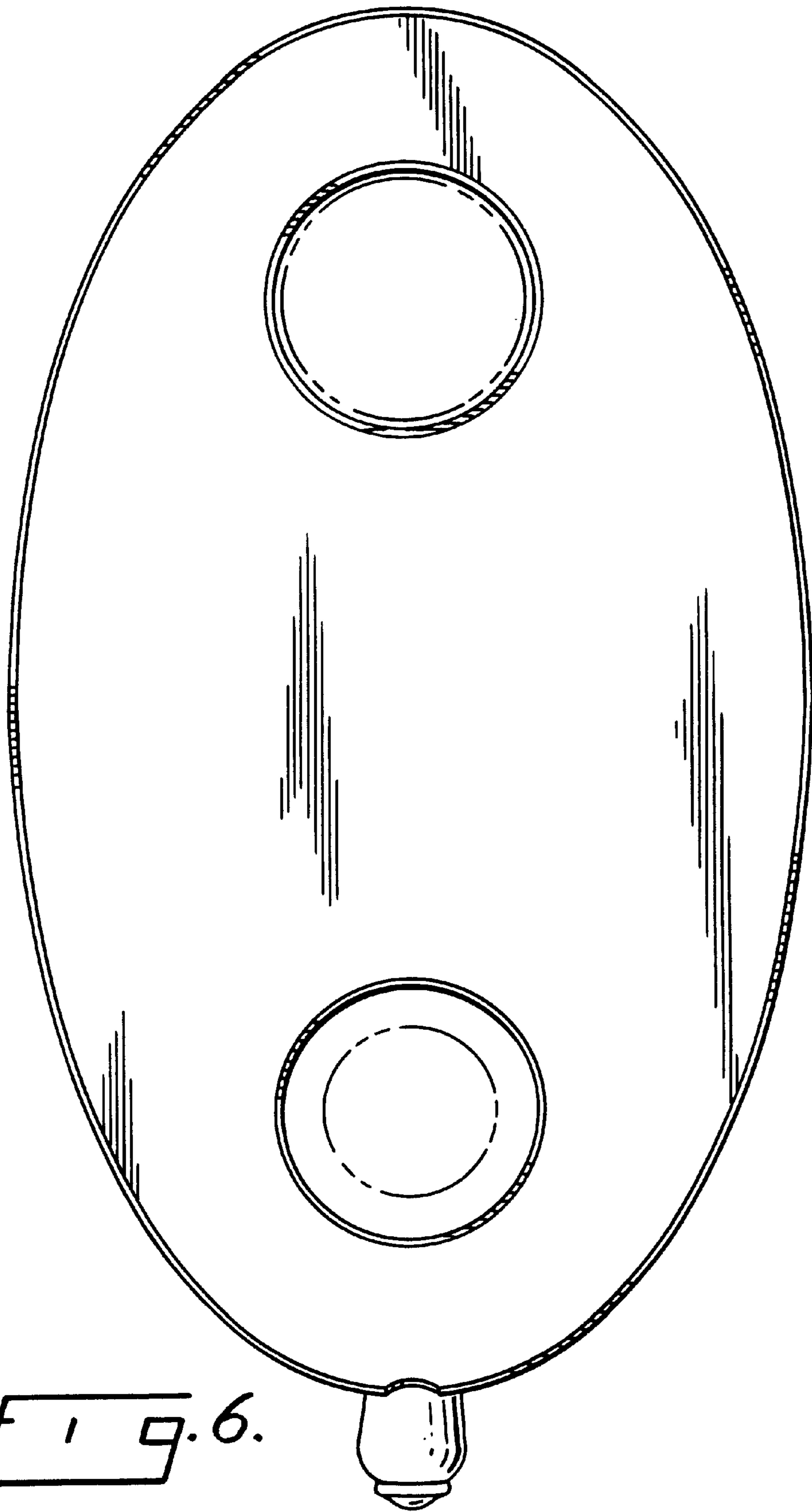


FIG. 6.