



US00D435286S

United States Patent [19] Player

[11] Patent Number: Des. 435,286

[45] Date of Patent: ** Dec. 19, 2000

[54] FISHING BUOY

[76] Inventor: Michael D. Player, 4151 Claussen Rd., Florence, S.C. 29505

[**] Term: 14 Years

[21] Appl. No.: 29/118,924

[22] Filed: Feb. 22, 2000

[51] LOC (7) Cl. 22-05

[52] U.S. Cl. D22/146

[58] Field of Search D22/126-133,
D22/134, 144, 145, 146; 43/42.35, 42.39,
42.45, 44.87, 44.88; 441/6, 32

[56] **References Cited**

U.S. PATENT DOCUMENTS

D. 327,726	7/1992	Lowrance et al.	D22/146
D. 396,263	7/1998	Miller	D22/146
946,174	1/1910	Vroman et al. .	
3,089,156	5/1963	Hamm .	
3,653,085	4/1972	Rovner .	
4,657,517	4/1987	Godwin	441/1
4,781,636	11/1988	Schurr	441/6

4,808,133	2/1989	Gram et al.	441/6
5,195,688	3/1993	Clemmons	424/54
5,234,365	8/1993	Cooper et al.	441/11
5,376,035	12/1994	Forrest	441/26
5,449,308	9/1995	Thompson	441/6
5,921,013	7/1999	Kaczynski, Sr.	D22/146

Primary Examiner—Louis S. Zarfaz
Assistant Examiner—Inga-Maria Hyttinen

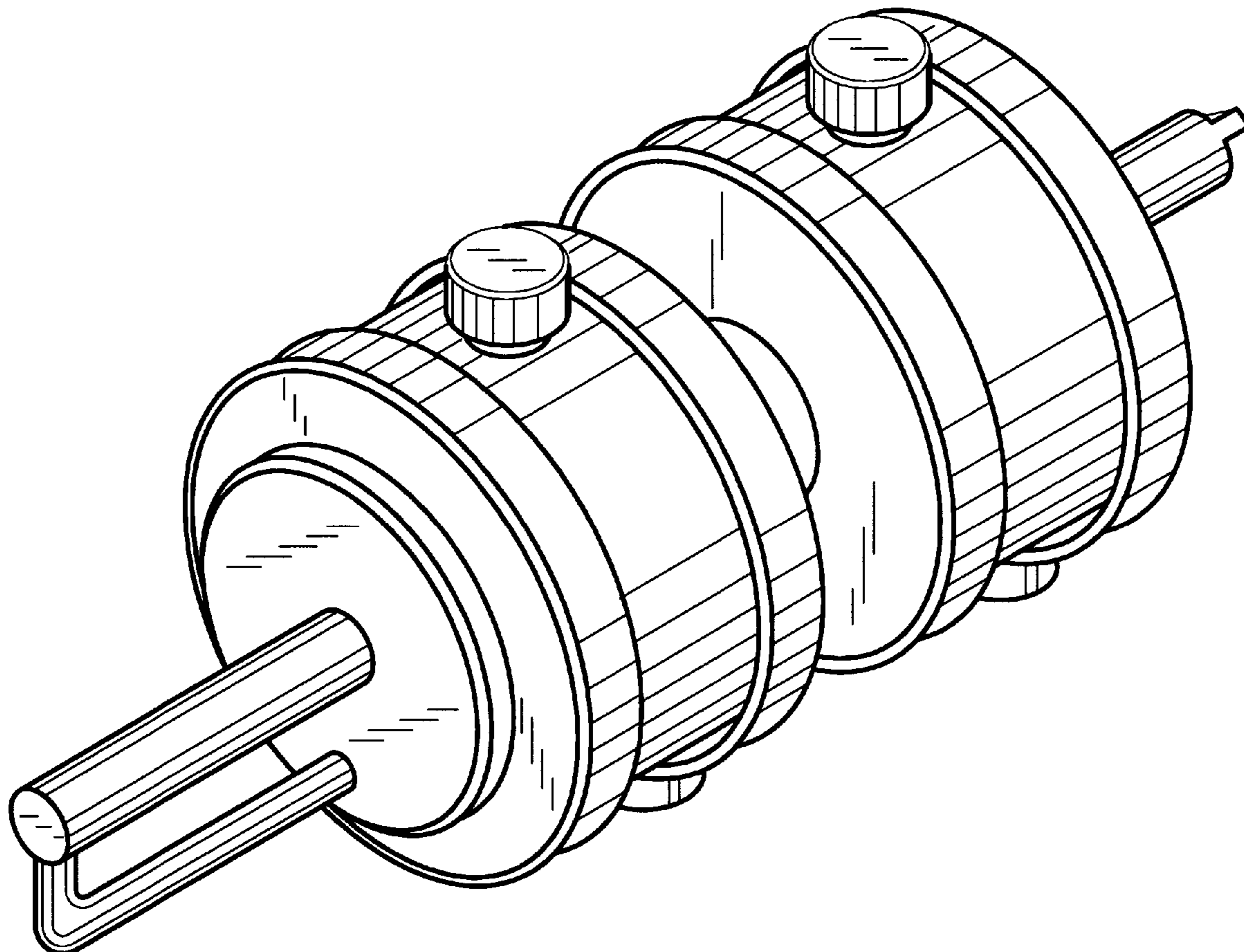
[57] **CLAIM**

The ornamental design for a fishing buoy, as shown and described.

DESCRIPTION

FIG. 1 is a front, top, left end perspective view of a fishing buoy embodying the design;
FIG. 2 is a front elevation view thereof, the rear being a mirror image thereof;
FIG. 3 is a bottom plan view thereof;
FIG. 4 is a top plan view thereof;
FIG. 5 is a left end elevation view thereof; and,
FIG. 6 is a right end elevation view.

1 Claim, 5 Drawing Sheets



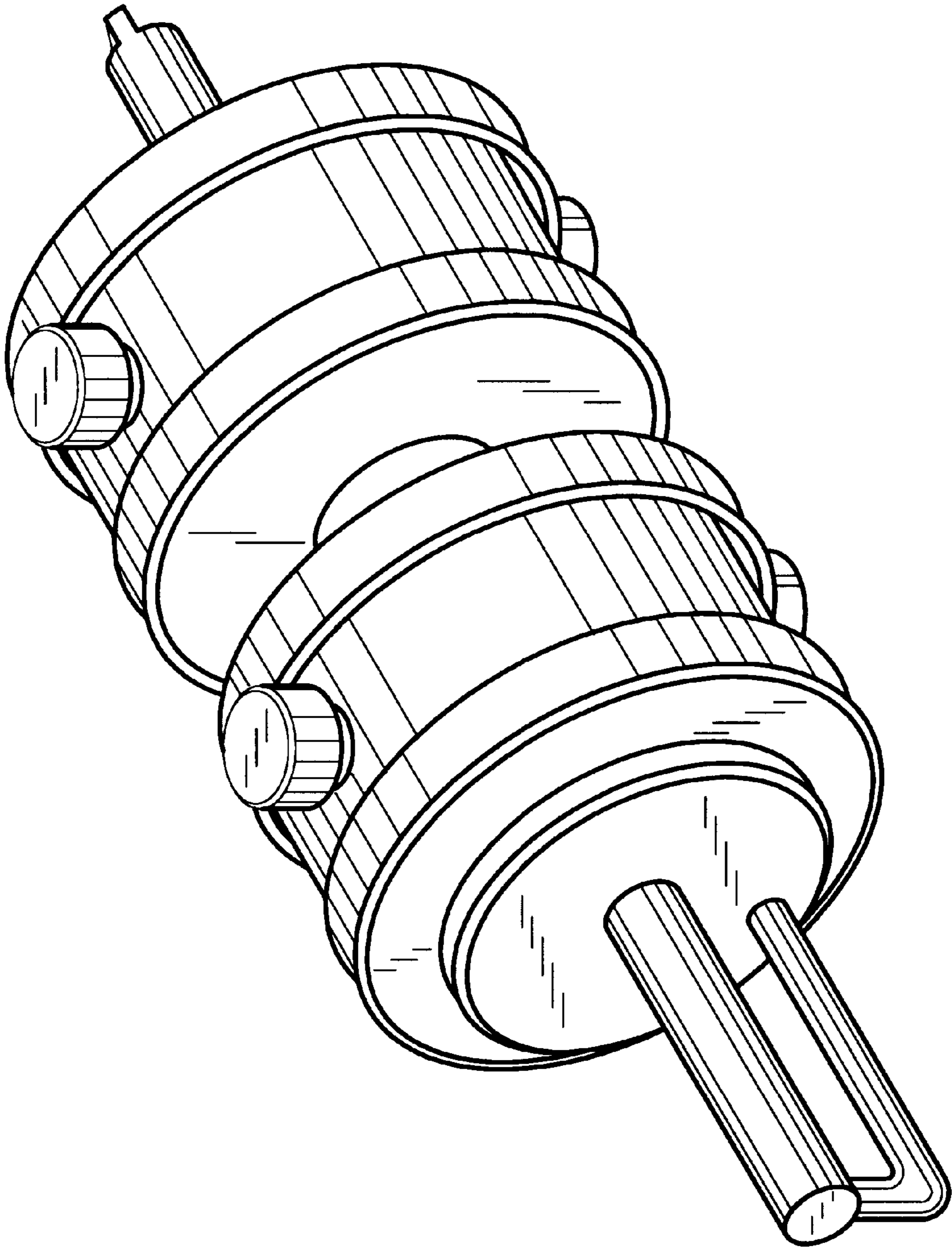


FIG. 1

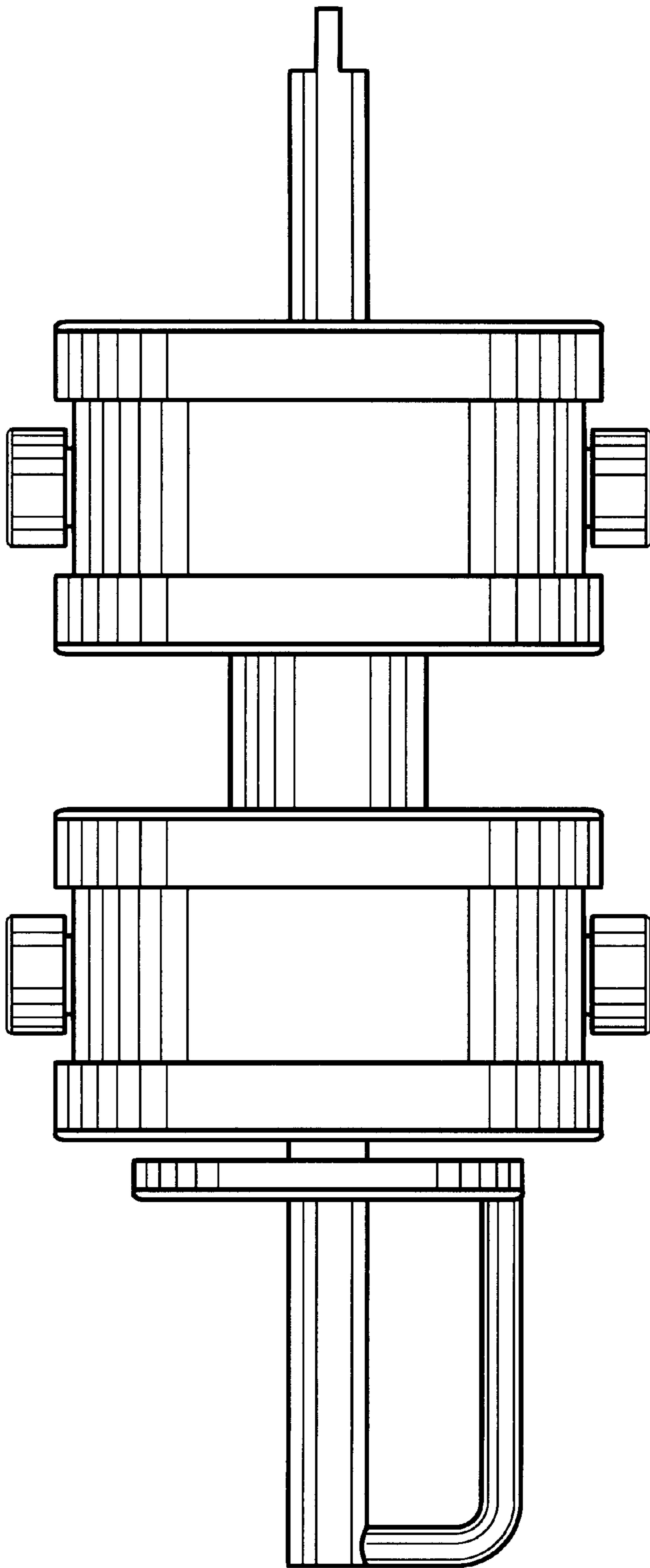


FIG. 2

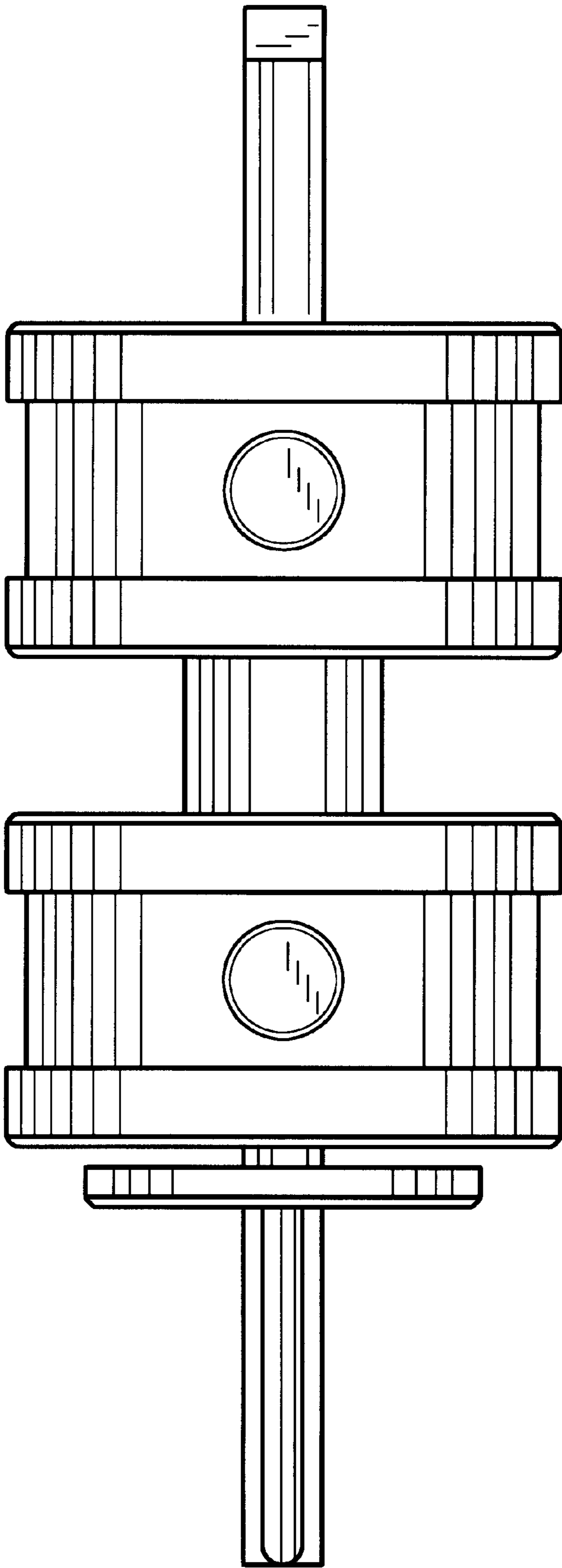


FIG. 3

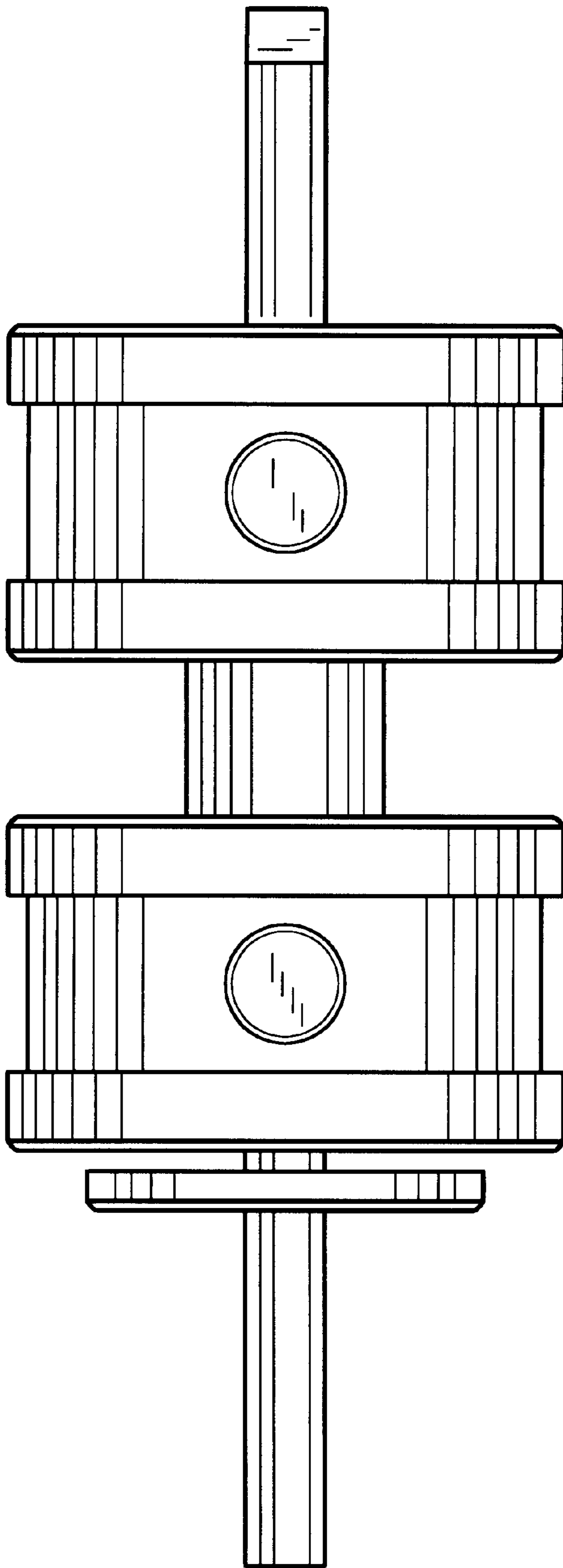


FIG. 4

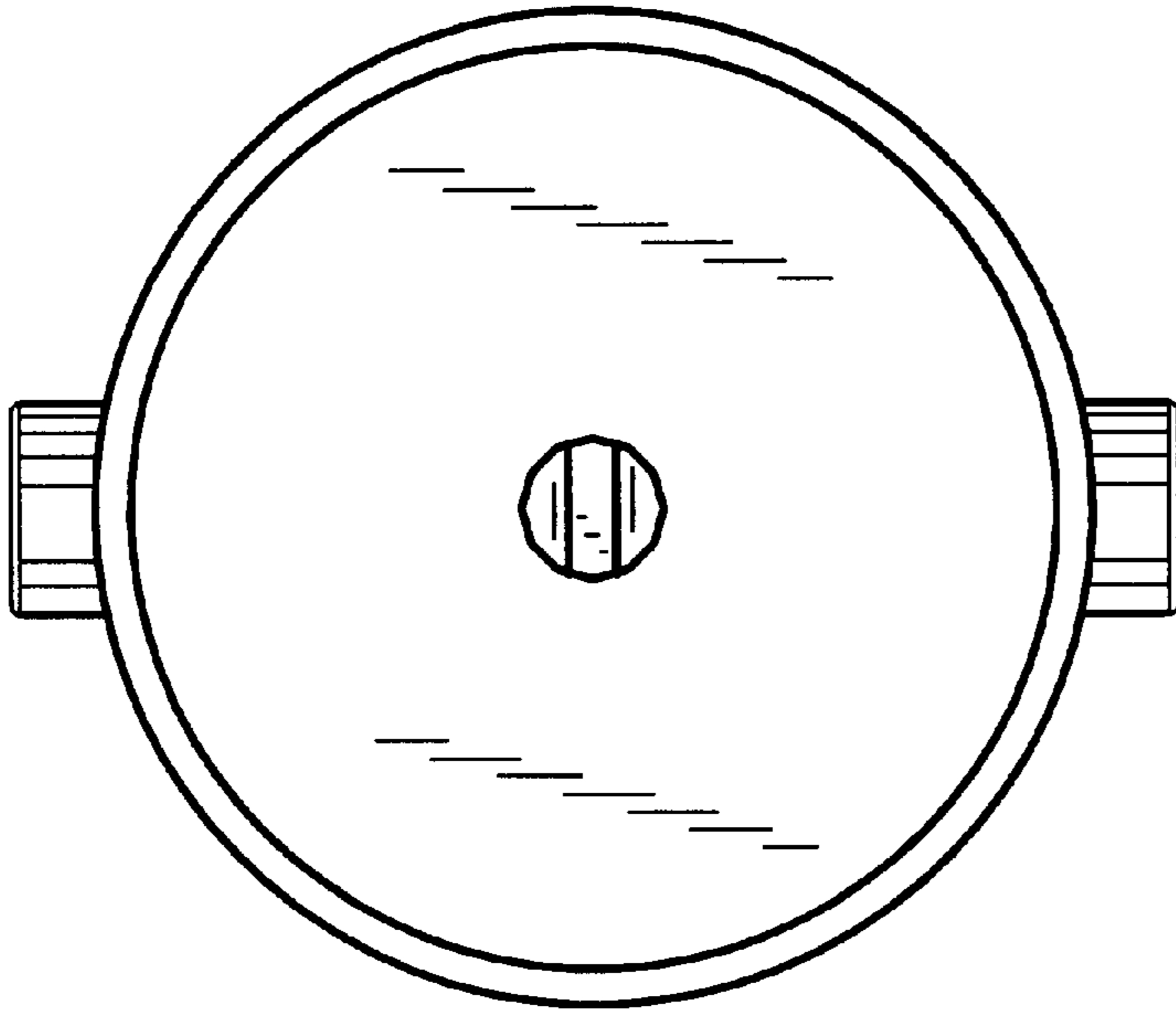


FIG. 6

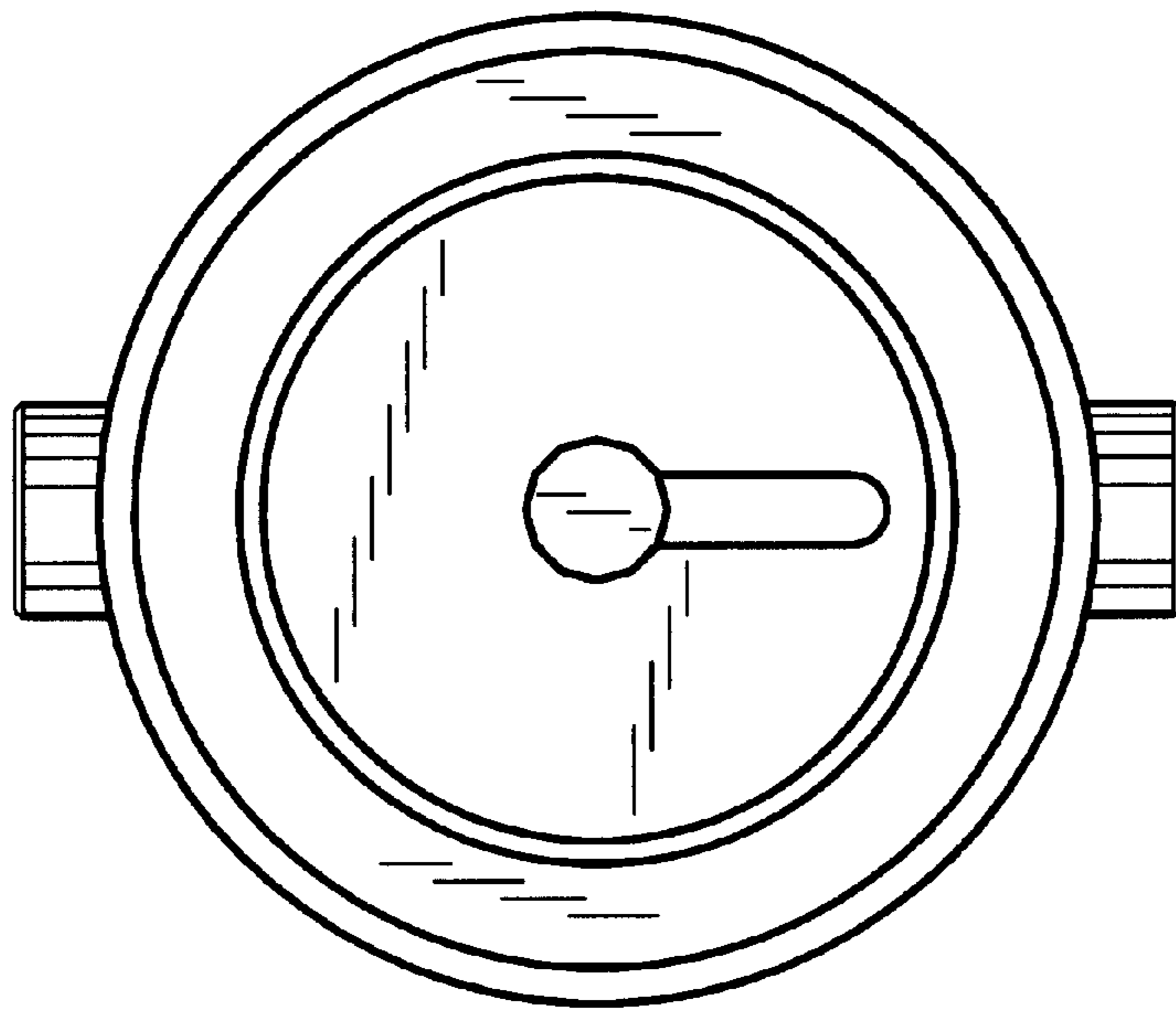


FIG. 5