



US00D435283S

United States Patent [19]
Ling, Jr.

[11] **Patent Number: Des. 435,283**

[45] **Date of Patent: ** Dec. 19, 2000**

[54] **ADJUSTABLE REAR SHOTGUN GHOST RING SIGHT ASSEMBLY**

[75] Inventor: **Albert George Ling, Jr.**, Keller, Tex.

[73] Assignee: **Innovative Weaponry Inc**, Fort Worth, Tex.

[**] Term: **14 Years**

[21] Appl. No.: **29/119,493**

[22] Filed: **Feb. 28, 2000**

[51] **LOC (7) Cl.** **22-01**

[52] **U.S. Cl.** **D22/109; D22/108; D22/110; D22/199**

[58] **Field of Search** **D22/100, 108, D22/109, 110, 199; 33/241, 242, 243, 245, 246, 247, 248, 249, 250, 251, 252, 260, 261; 42/100, 101, 102**

[56] **References Cited**

U.S. PATENT DOCUMENTS

32,899 7/1861 Sharps 33/260

837,563	12/1906	Hartmann	33/243
2,762,127	9/1956	Swett	33/243
3,187,436	6/1965	Friedrichsmeier	33/243
3,698,092	10/1972	Rosenhan	33/241
6,035,539	3/2000	Hollenbach	42/100

Primary Examiner—Louis S. Zarfaz
Assistant Examiner—Monica A. Weingart

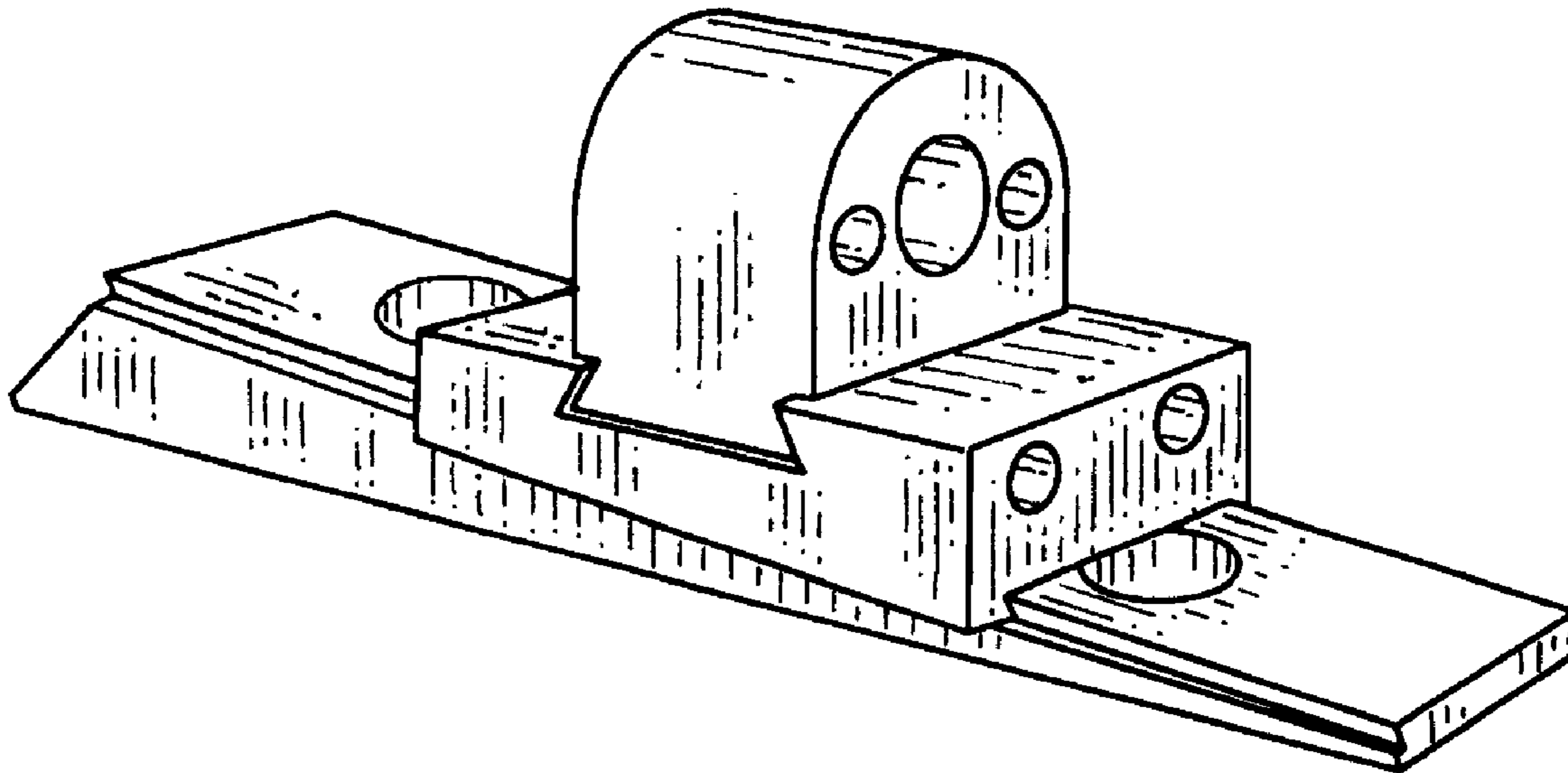
[57] **CLAIM**

I claim the ornamental design for an adjustable rear shotgun ghost ring sight assembly, as shown.

DESCRIPTION

FIG. 1 is a view in rear perspective, showing the design for an adjustable rear shotgun ghost ring sight assembly.
FIG. 2 is a view in front elevation thereof.
FIG. 3 is a top view thereof.
FIG. 4 is a bottom view thereof.
FIG. 5 is a view in rear elevation thereof.
FIG. 6 is a view in right side elevation thereof; and,
FIG. 7 is a view in left side elevation thereof.

1 Claim, 1 Drawing Sheet



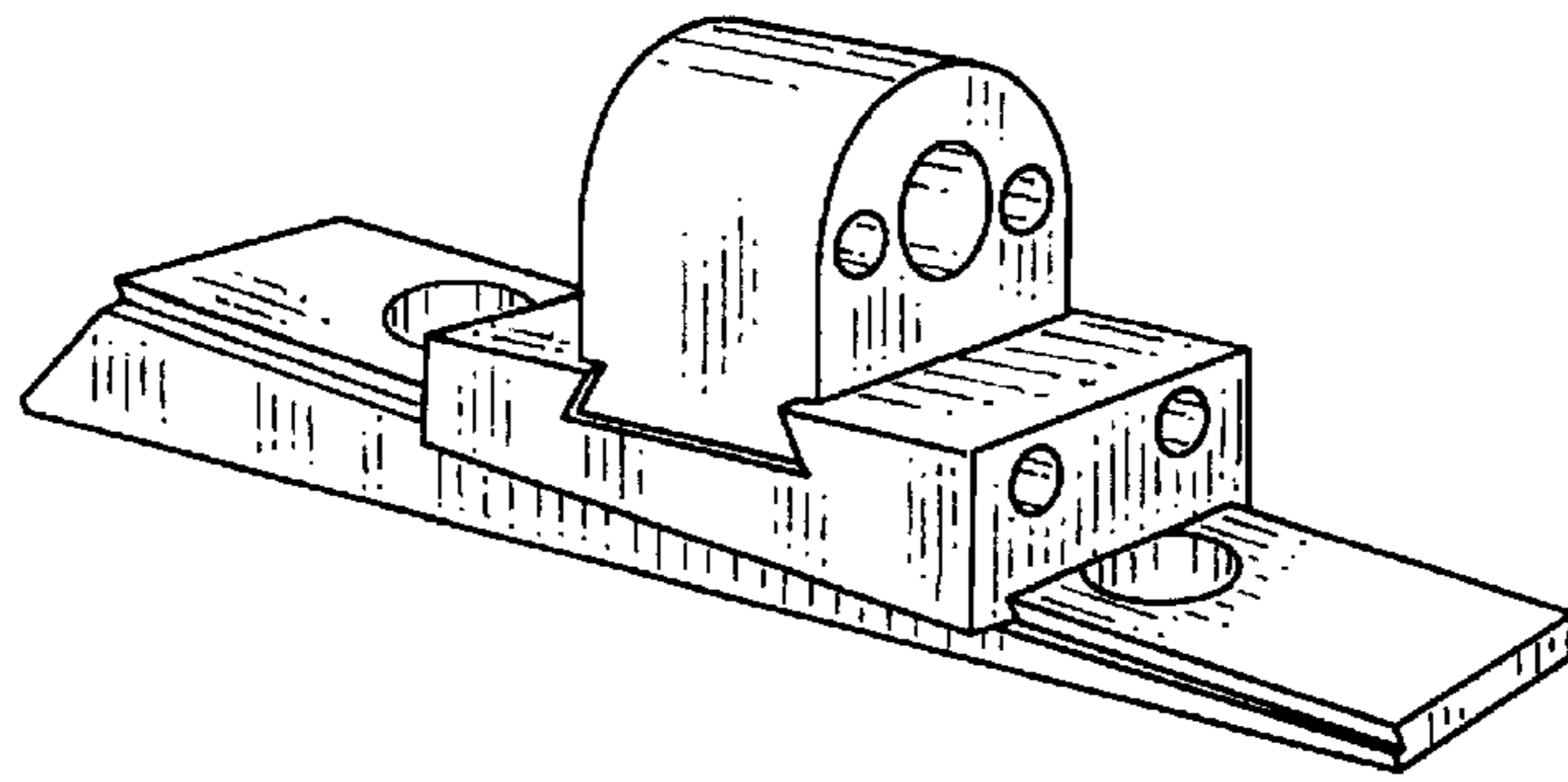


FIG. 1

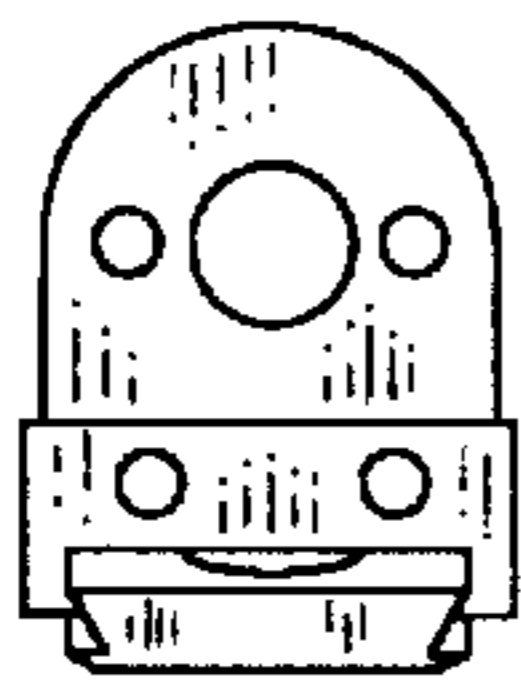


FIG. 2

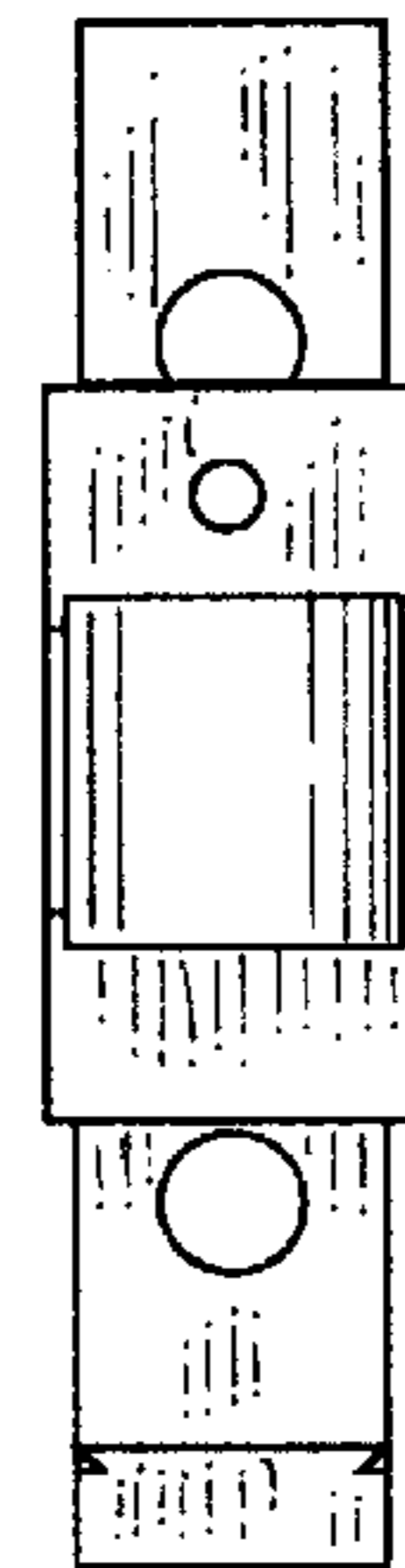


FIG. 3

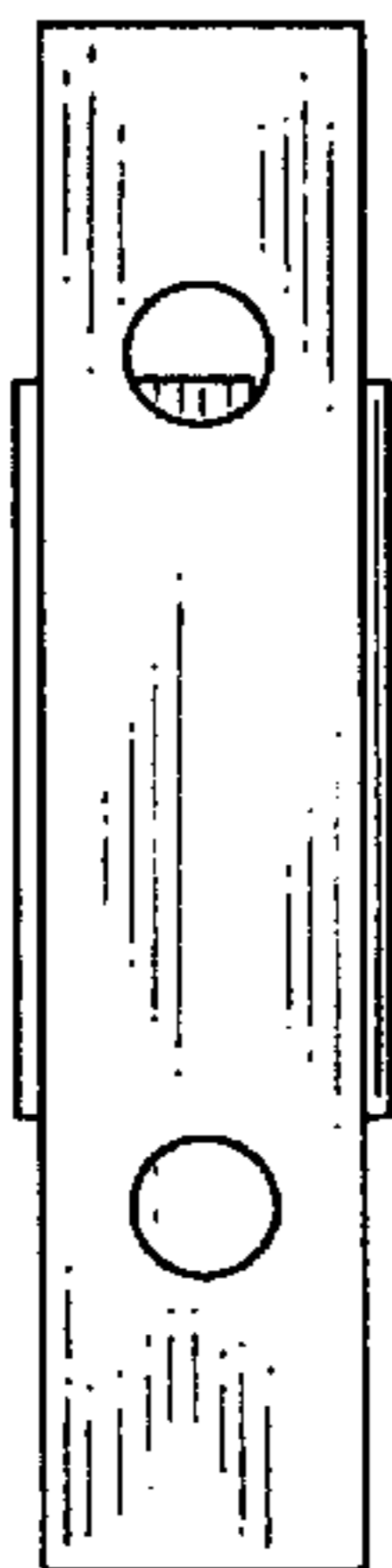


FIG. 4

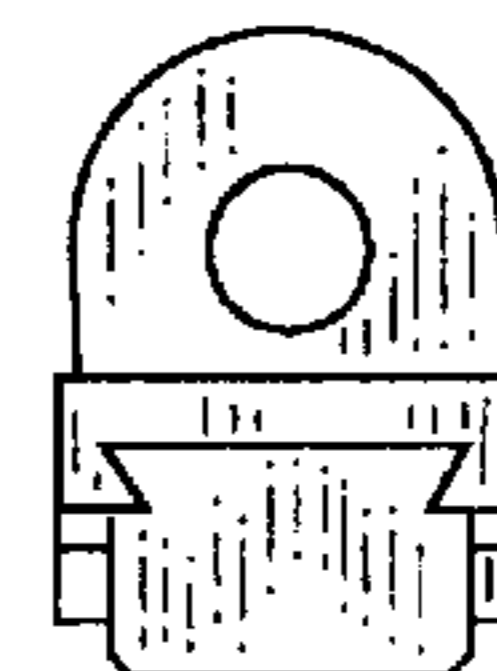


FIG. 5

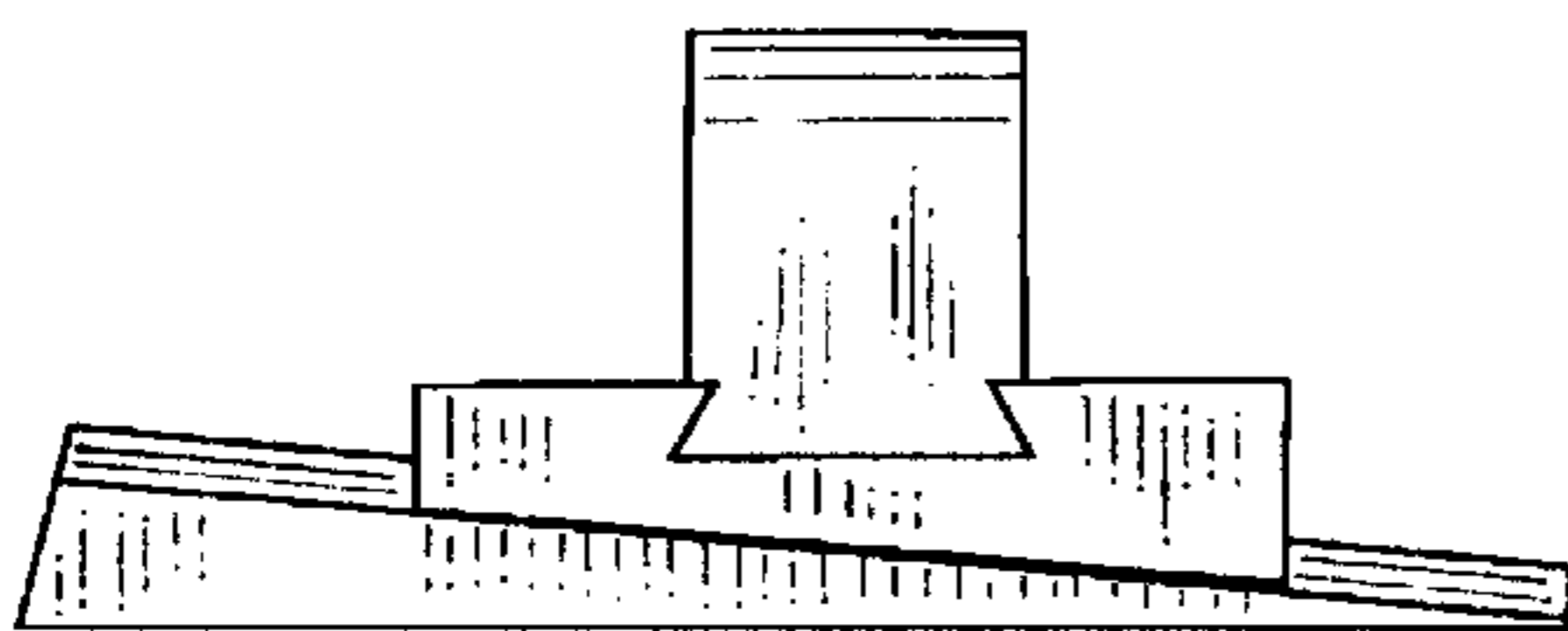


FIG. 6

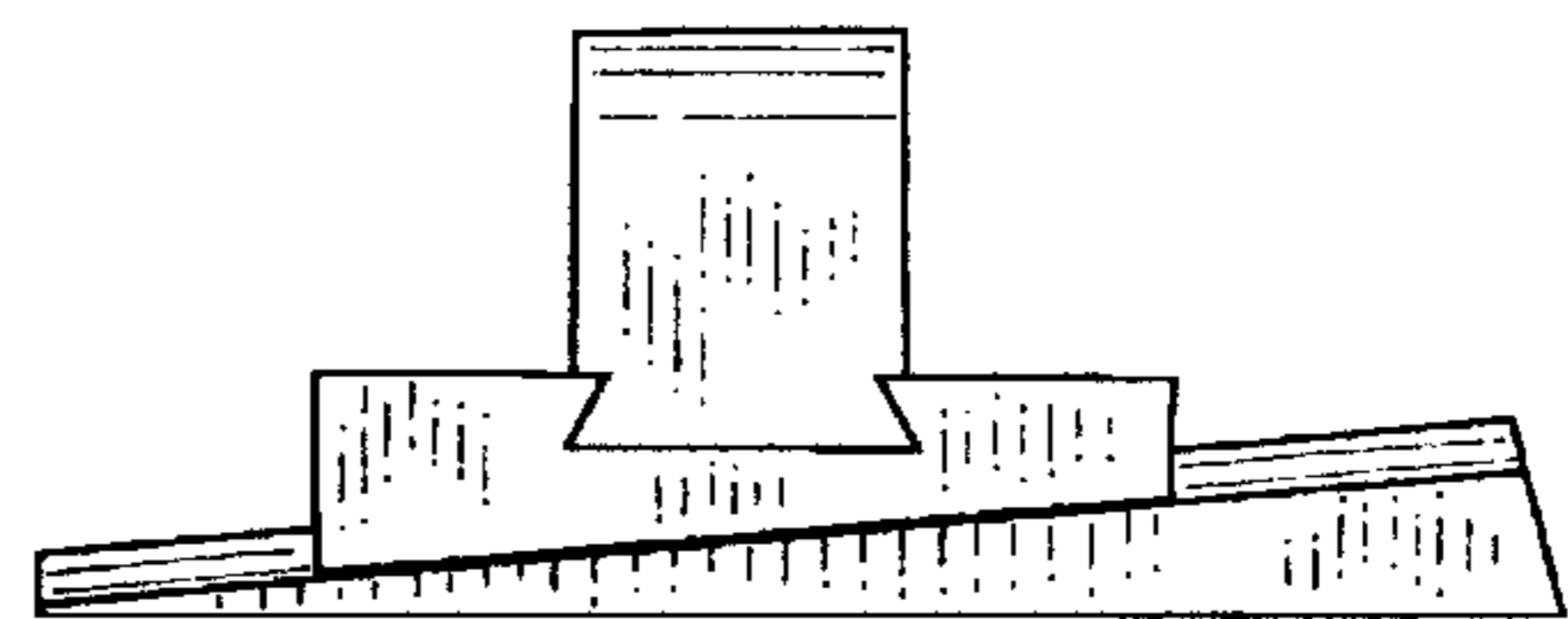


FIG. 7