



US00D435280S

United States Patent [19]
Vicale

[11] **Patent Number: Des. 435,280**

[45] **Date of Patent: ** Dec. 19, 2000**

[54] **TRIGGER LOCK FOR LEVER ACTION AIR RIFLES**

3,164,919 1/1965 Hall 42/70.06
3,269,046 8/1966 Schaefer 42/70.06

[75] Inventor: **Emil Vicale**, Danbury, Conn.

Primary Examiner—Louis S. Zarfaz
Assistant Examiner—Monica A. Weingart
Attorney, Agent, or Firm—DeLio & Peterson, LLC

[73] Assignee: **Shot Lock Corp.**, Hilton Head, S.C.

[**] Term: **14 Years**

[57] **CLAIM**

[21] Appl. No.: **29/113,769**

I claim the ornamental design for a trigger lock for lever action air rifles, as shown and described herein.

[22] Filed: **Nov. 9, 1999**

DESCRIPTION

[51] **LOC (7) Cl.** **22-01**

FIG. 1 is a front elevational view of the trigger lock for lever action air rifles showing my new design.

[52] **U.S. Cl.** **D22/108; D22/100; D22/199**

FIG. 2 is a rear elevational view of the design of this invention.

[58] **Field of Search** D22/100, 108,
D22/199; 42/70.06, 70.07; 70/58, 202,
211

FIG. 3 is a right side elevational view of the design of this invention.

[56] **References Cited**

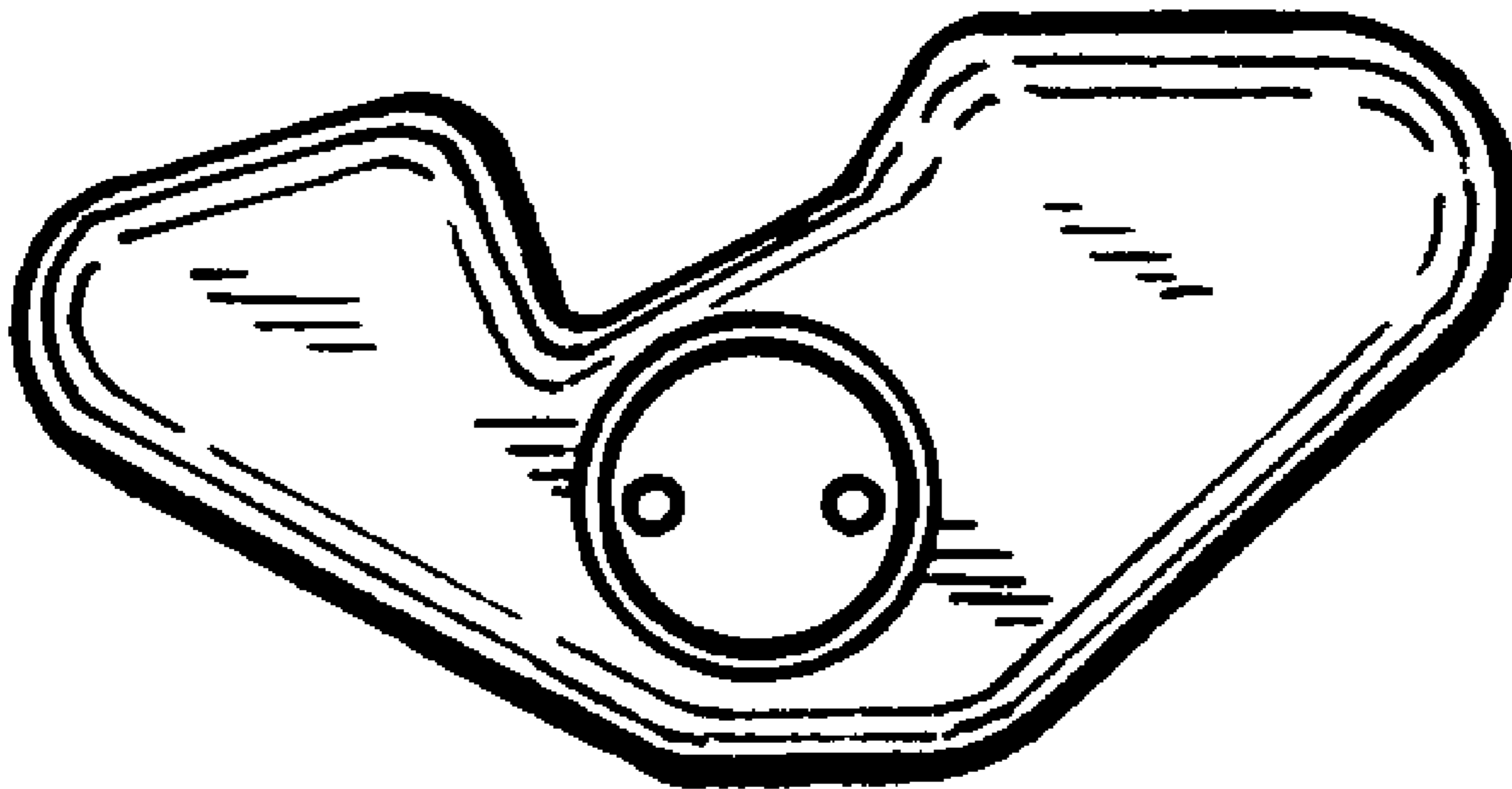
FIG. 4 is a left side elevational view of the design of this invention.

U.S. PATENT DOCUMENTS

D. 375,342	11/1996	Collins	D22/108
1,686,482	10/1928	Windle	70/202
2,664,658	1/1954	Bjorklund	42/70.06
2,882,636	4/1959	Shinaver	42/70.06

FIG. 5 is a top plan view of the design of this invention; and,
FIG. 6 is a bottom plan view of the design of this invention.

1 Claim, 1 Drawing Sheet



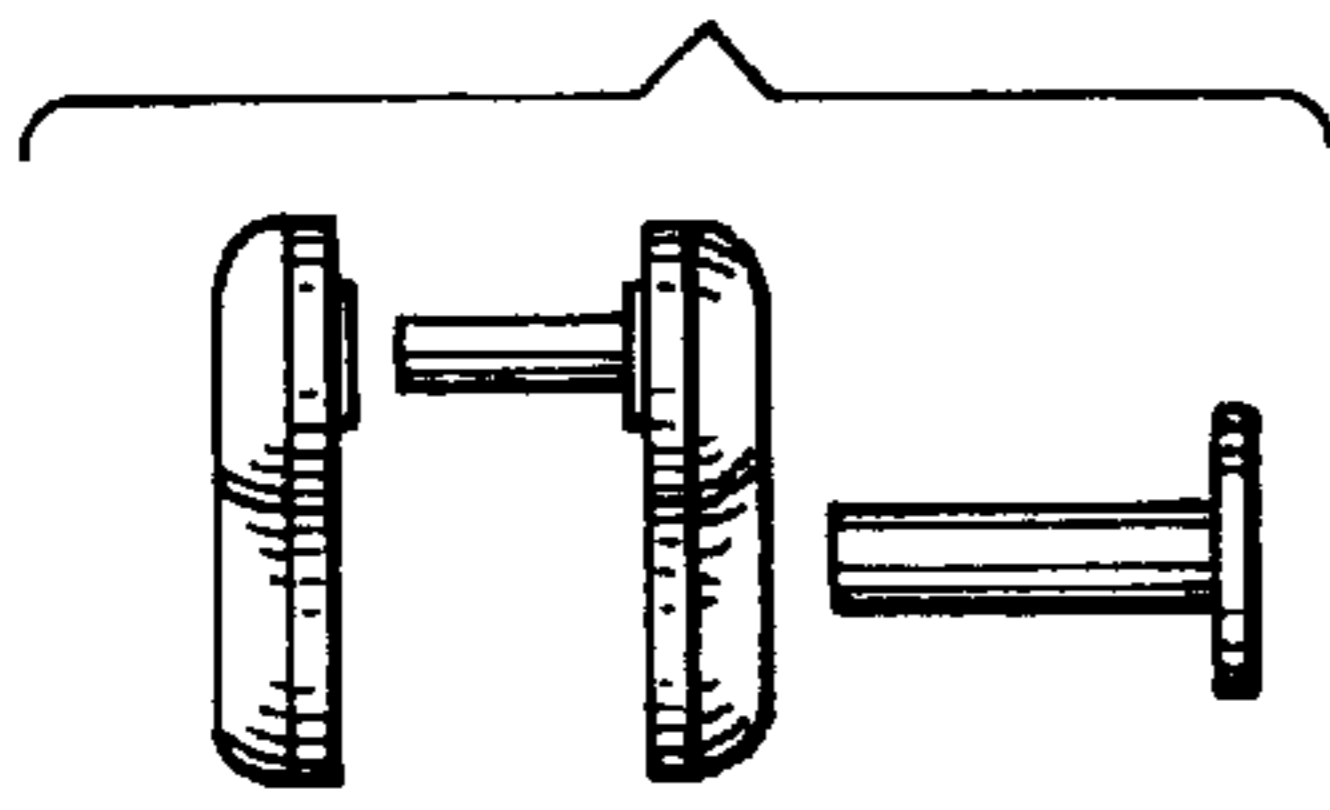


FIG. 2

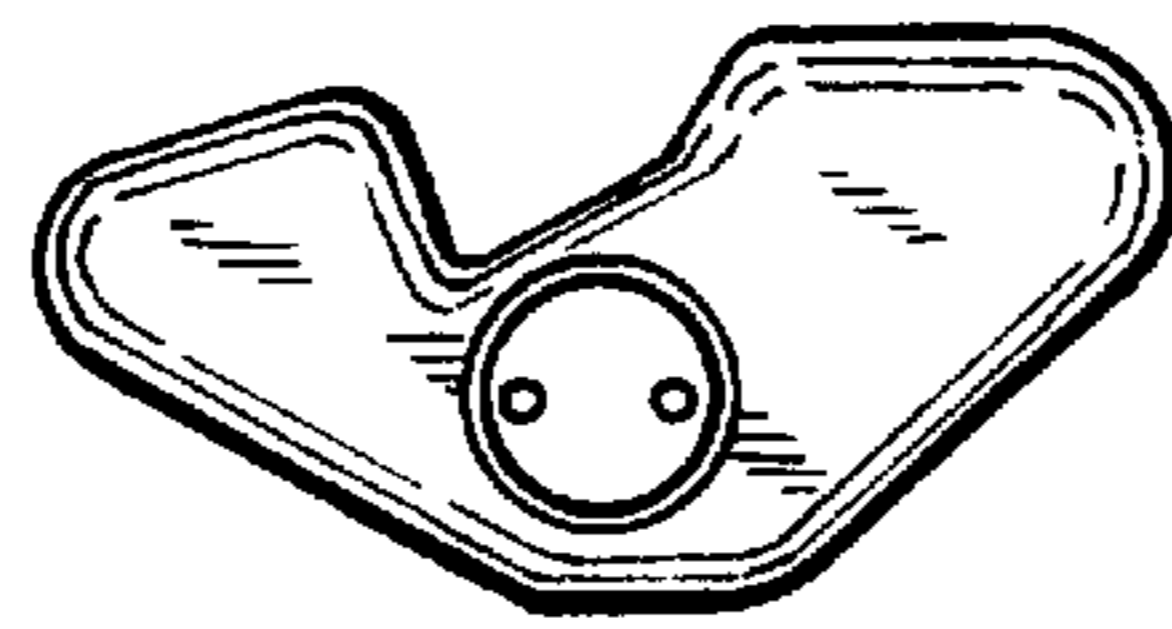


FIG. 3

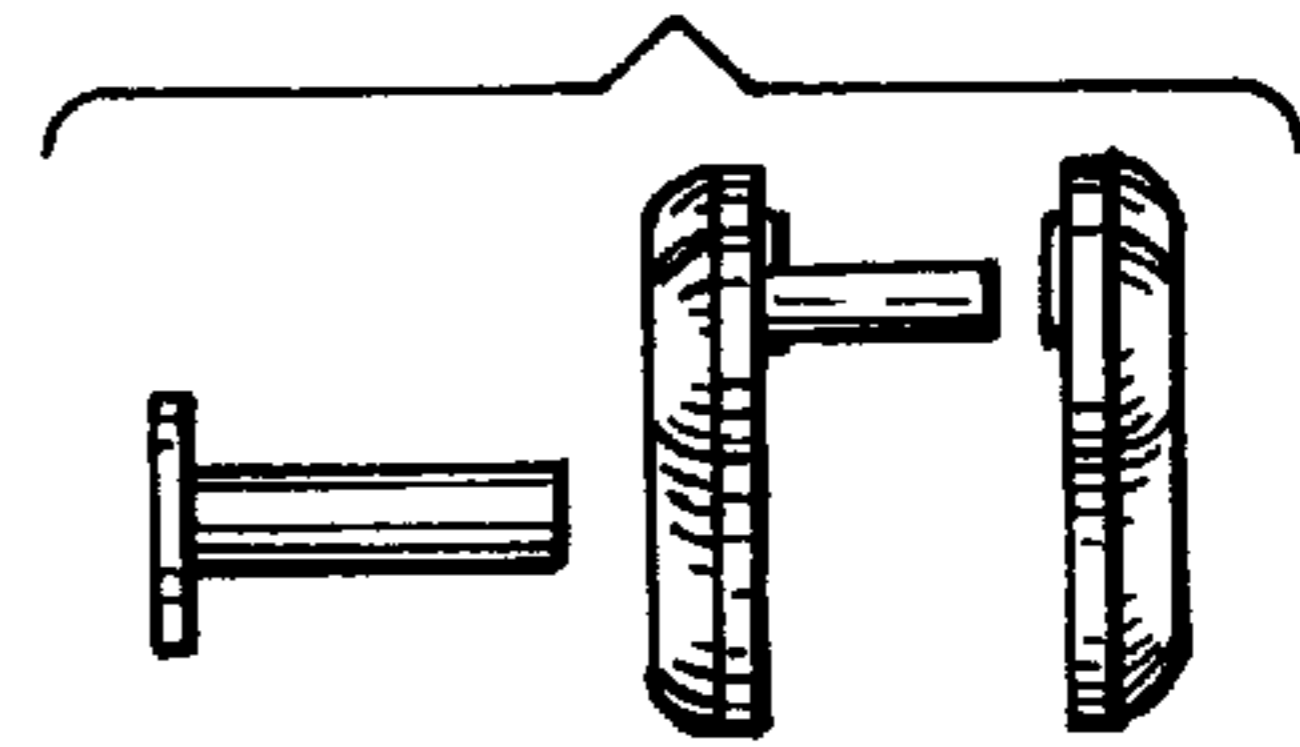


FIG. 1

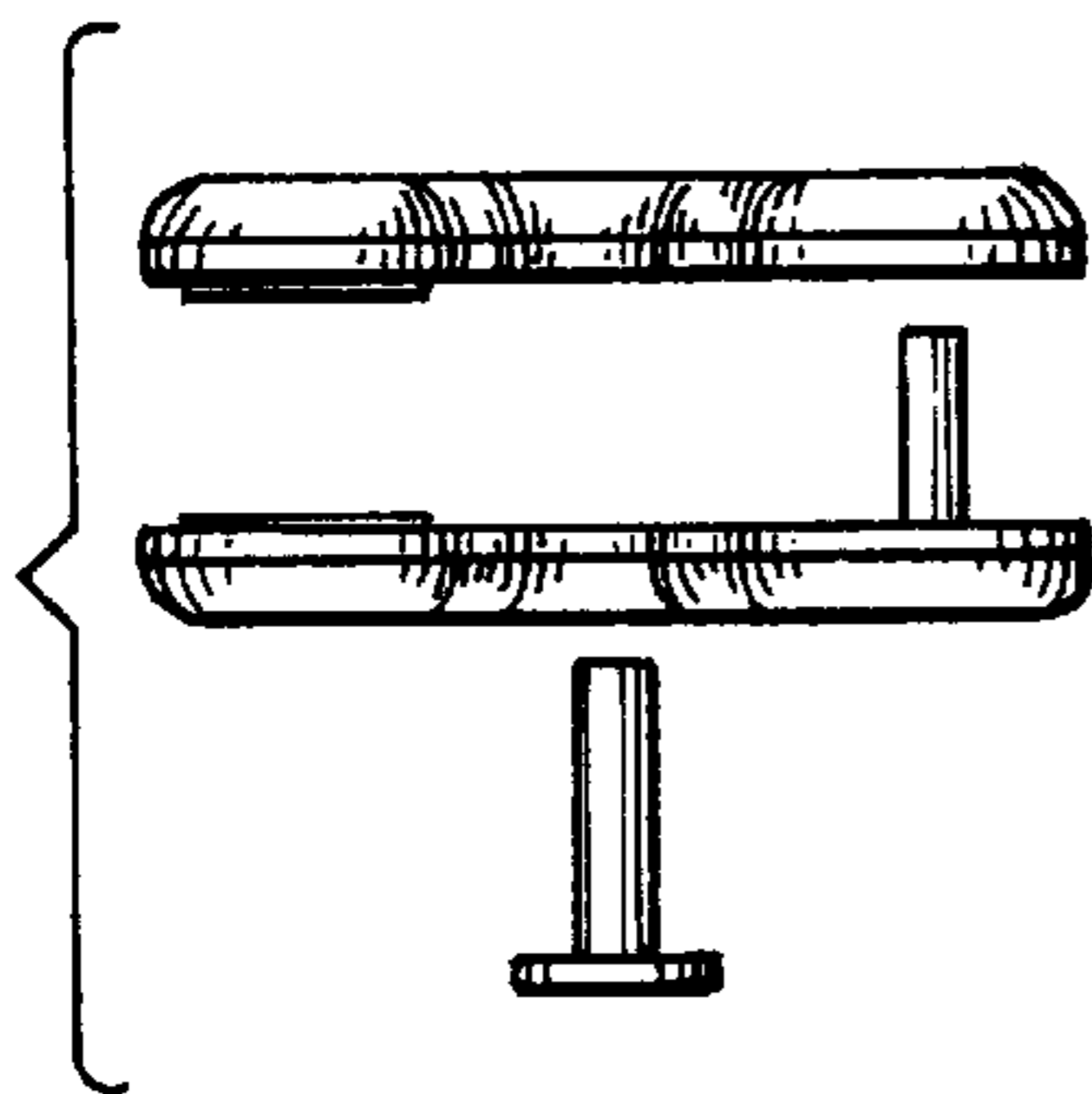


FIG. 5

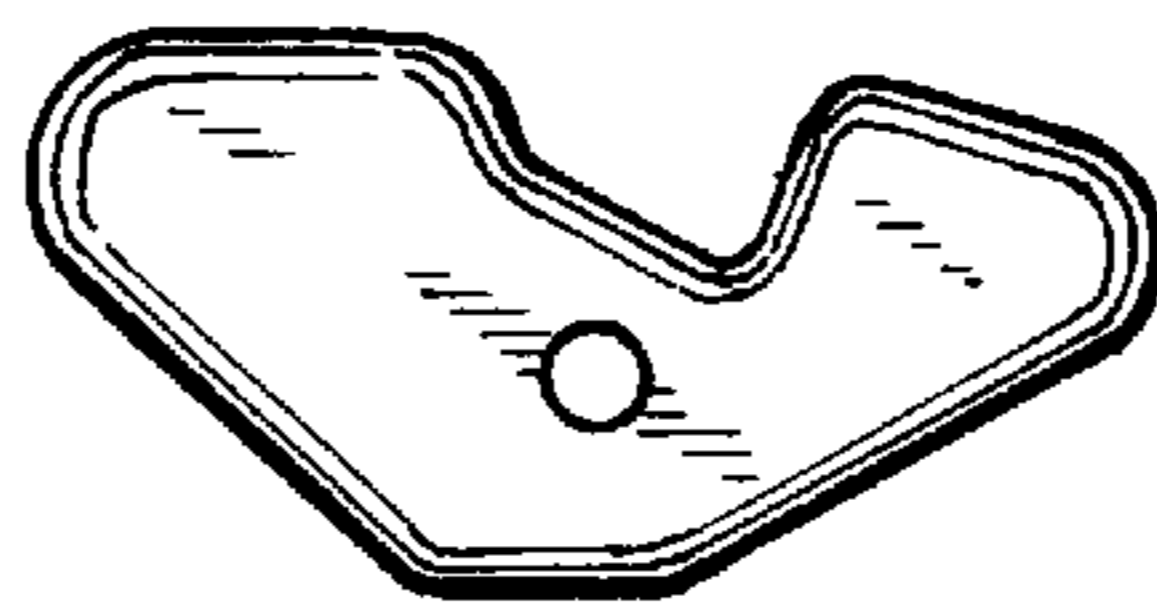


FIG. 4

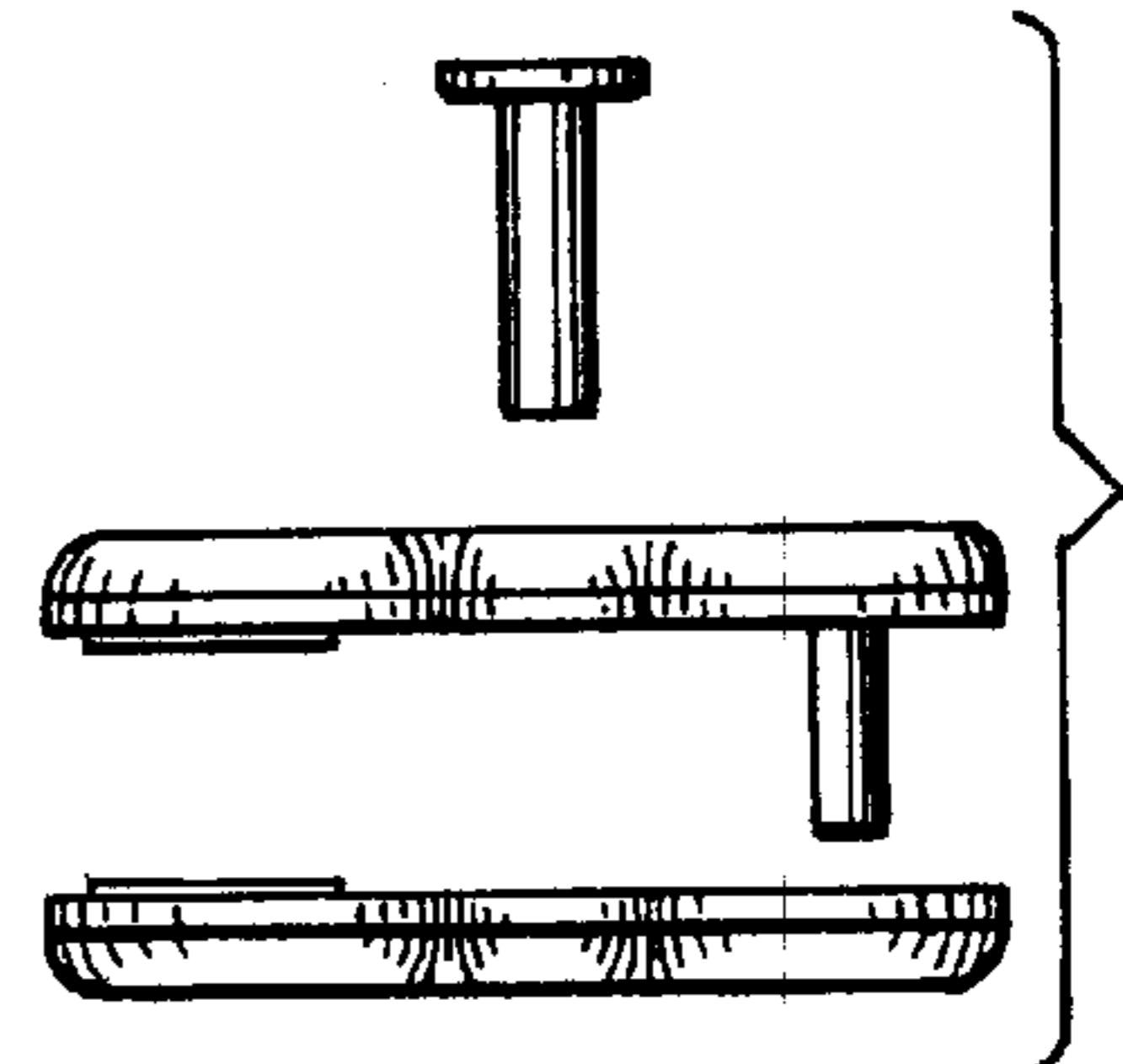


FIG. 6