



US00D435277S

United States Patent [19]

[11] Patent Number: Des. 435,277

Erickson et al.

[45] Date of Patent: ** Dec. 19, 2000

[54] IRON GOLF CLUB HEAD

[75] Inventors: Joel B. Erickson, Carlsbad; Richard C. Helmstetter, Rancho Sante Fe, both of Calif.

[73] Assignee: Callaway Golf Company, Carlsbad, Calif.

[**] Term: 14 Years

[21] Appl. No.: 29/106,246

[22] Filed: Jun. 11, 1999

[51] LOC (7) Cl. 21-02

[52] U.S. Cl. D21/747

[58] Field of Search D21/746-751, D21/759; 473/324, 327, 328, 329, 330, 331, 350

4,852,880	8/1989	Kobayashi .	
4,941,666	7/1990	Suganuma .	
4,944,515	7/1990	Shearer .	
4,964,640	10/1990	Nakanishi et al. .	
4,964,641	10/1990	Miesch et al. .	
4,988,104	1/1991	Shiotani et al. .	
5,048,834	9/1991	Gorman	473/350
5,048,835	9/1991	Gorman	473/350
5,050,879	9/1991	Sun et al. .	
5,078,397	1/1992	Aizawa .	
5,080,366	1/1992	Okumoto et al. .	
5,104,457	4/1992	Viljoen et al. .	
5,120,062	6/1992	Scheie et al. .	
5,143,571	9/1992	Lacoste et al. .	
5,190,290	3/1993	Take .	
5,193,811	3/1993	Okumoto et al. .	
5,198,062	3/1993	Chen .	
5,217,227	6/1993	Shira .	

(List continued on next page.)

FOREIGN PATENT DOCUMENTS

62-097570	5/1987	Japan .
62-097571	5/1987	Japan .
404341281	11/1992	Japan .
406091021	4/1994	Japan .
1387955	1/1976	United Kingdom .

Primary Examiner—Mitchell Siegel
Attorney, Agent, or Firm—Michael A. Catania

[57] CLAIM

The ornamental design for a iron golf club head, as shown and described.

DESCRIPTION

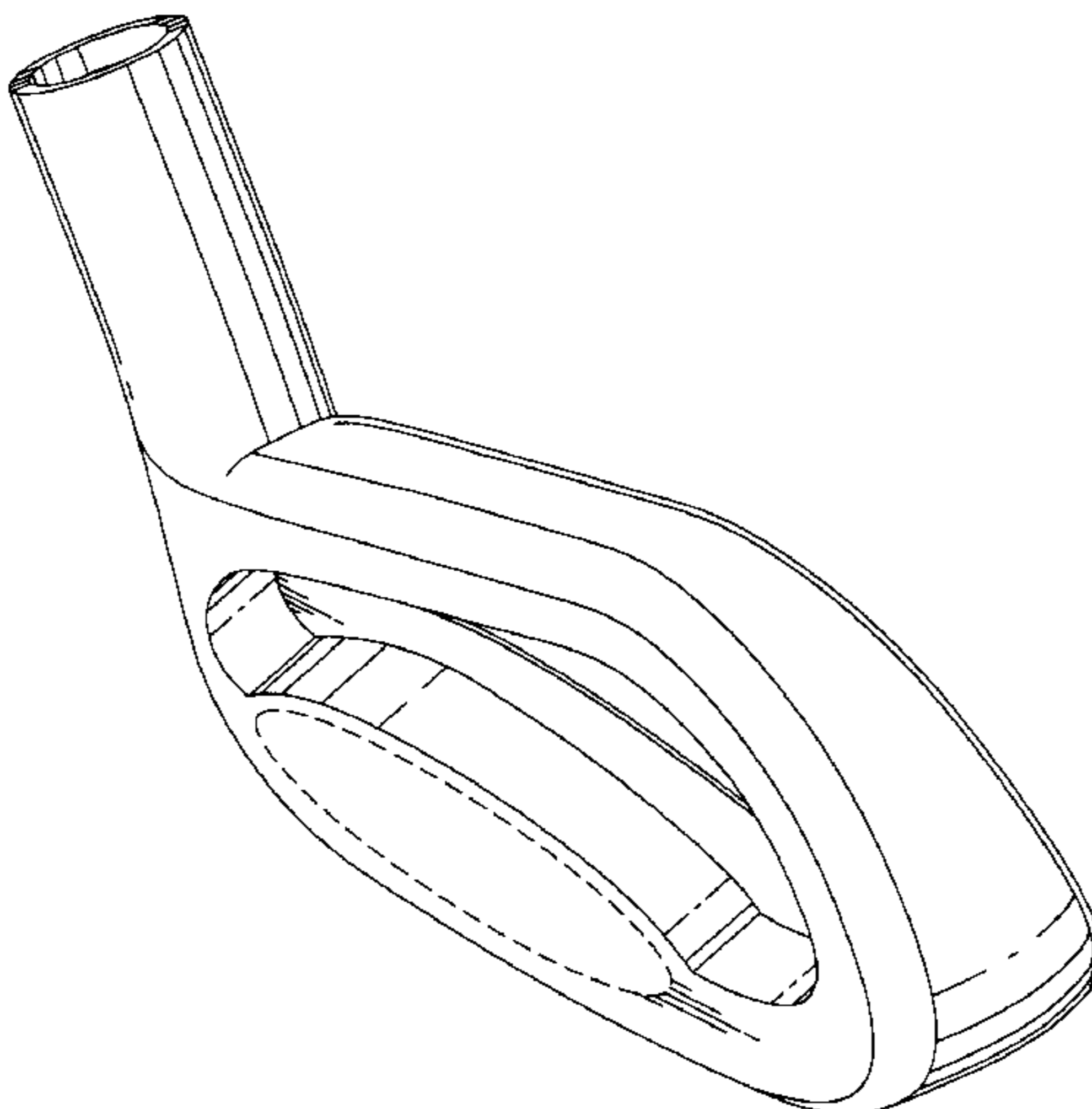
FIG. 1 is a perspective view of an iron golf club head; FIG. 2 is a front view thereof; FIG. 3 is a rear view thereof; FIG. 4 is a top plan view thereof; FIG. 5 is a bottom plan view thereof; FIG. 6 is a toe end view thereof; and, FIG. 7 is a heel end view thereof. The broken line showing is for illustrative purposes only and forms no part of the claimed design.

1 Claim, 3 Drawing Sheets

[56] References Cited

U.S. PATENT DOCUMENTS

D. 228,355	9/1973	Pennu	D21/747
D. 322,652	12/1991	Antonious	D21/747
D. 381,385	7/1997	Shinohara et al.	D21/747
D. 412,545	8/1999	Best et al.	D21/759
722,011	3/1903	Govan .	
1,133,129	3/1915	Govan .	
1,678,637	7/1928	Drevitson .	
1,968,627	7/1934	Young .	
2,360,364	10/1944	Reach .	
2,774,600	12/1956	Reach .	
2,846,228	8/1958	Reach .	
3,250,536	5/1966	Moser .	
3,847,399	11/1974	Raymont .	
3,961,796	6/1976	Thompson .	
3,995,865	12/1976	Cochran et al. .	
4,145,052	3/1979	Janssen et al. .	
4,326,326	4/1982	MacDonald .	
4,340,230	7/1982	Churchward .	
4,690,408	9/1987	Kobayashi .	
4,754,977	7/1988	Sahm .	
4,792,140	12/1988	Yamaguchi et al. .	
4,793,616	12/1988	Fernandez .	
4,826,172	5/1989	Antonious .	
4,836,550	6/1989	Kobayashi .	



U.S. PATENT DOCUMENTS

5,221,087	6/1993	Fenton et al. .	5,516,107	5/1996	Okumoto et al. .	
5,228,694	7/1993	Okumoto et al. .	5,522,593	6/1996	Kobayashi et al. .	
5,261,478	11/1993	Sun .	5,564,705	10/1996	Kobayashi et al. .	
5,282,625	2/1994	Schmidt et al. .	5,570,886	11/1996	Rigal et al. .	
5,290,036	3/1994	Fenton et al. .	5,588,923	12/1996	Schmidt et al. .	
5,312,106	5/1994	Cook .	5,590,881	1/1997	Jernigan .	
5,333,872	8/1994	Manning et al. .	5,595,548	1/1997	Beck .	
5,342,812	8/1994	Niskanen et al. .	5,601,501	2/1997	Kobayashi .	
5,354,059	10/1994	Stuff .	5,603,668	2/1997	Antonious .	
5,380,010	1/1995	Werner et al. .	5,611,742	3/1997	Kobayashi .	
5,385,348	1/1995	Wargo .	5,626,530	5/1997	Schmidt et al. .	
5,405,137	4/1995	Vincent et al. .	5,643,111	7/1997	Igarashi .	
5,421,577	6/1995	Kobayashi .	5,655,976	8/1997	Rife .	
5,425,535	6/1995	Gee .	5,658,208	8/1997	Shimasaki .	
5,431,401	7/1995	Smith .	5,658,209	8/1997	Blakemore	473/350
5,435,551	7/1995	Chen .	5,665,013	9/1997	Kobayashi .	
5,439,223	8/1995	Kobayashi .	5,669,826	9/1997	Chang et al. .	
5,447,311	9/1995	Viollaz et al. .	5,674,133	10/1997	Change et al. .	
5,464,218	11/1995	Schmidt et al. .	5,676,605	10/1997	Kobayashi .	
5,472,203	12/1995	Schmidt et al. .	5,676,606	10/1997	Schaeffer et al. .	
5,474,297	12/1995	Levin .	5,681,227	10/1997	Sayrizi .	
5,482,279	1/1996	Antonious .	5,704,805	1/1998	Shieh .	
5,489,098	2/1996	Gojny et al. .	5,749,794	5/1998	Kobayashi et al. .	
5,492,327	2/1996	Biafore, Jr. .	5,749,795	5/1998	Schmidt et al. .	
5,494,281	2/1996	Chen .	5,766,091	6/1998	Humphrey et al. .	
5,497,993	3/1996	Shan .	5,766,092	6/1998	Mimeur et al. .	
5,509,659	4/1996	Igarashi .	5,769,735	6/1998	Hosokawa .	
			5,776,010	7/1998	Helmstetter et al. .	

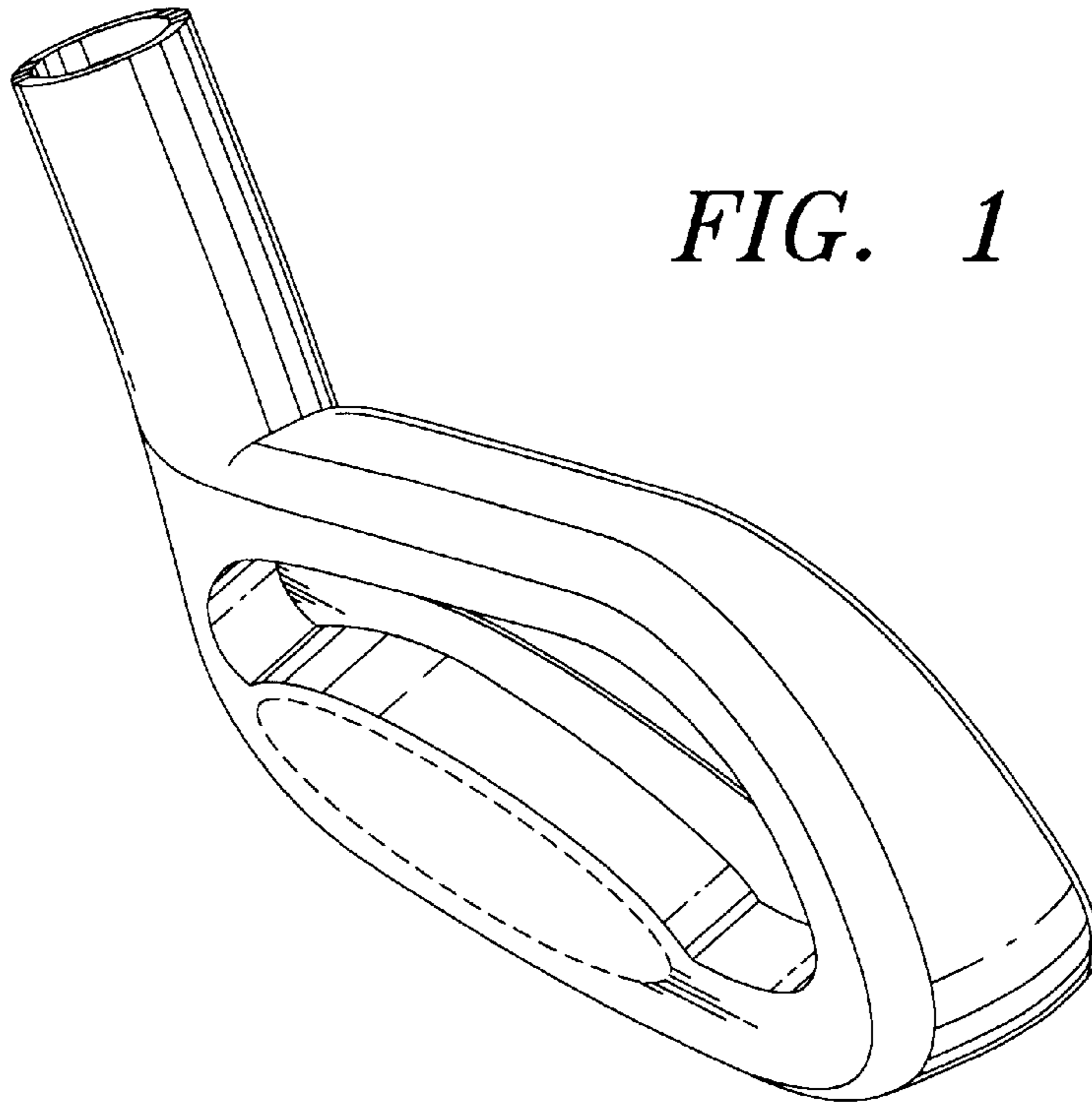


FIG. 1

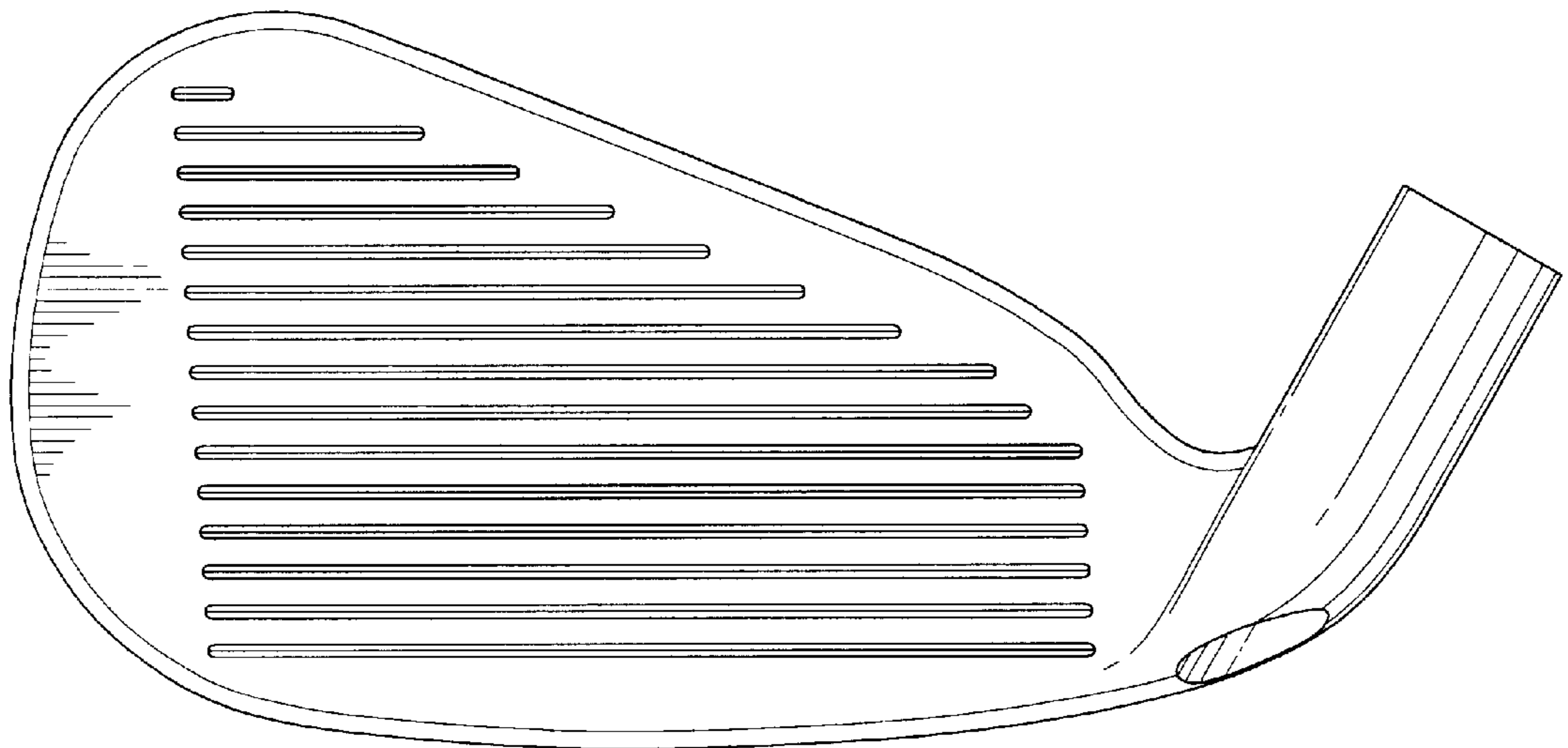


FIG. 2

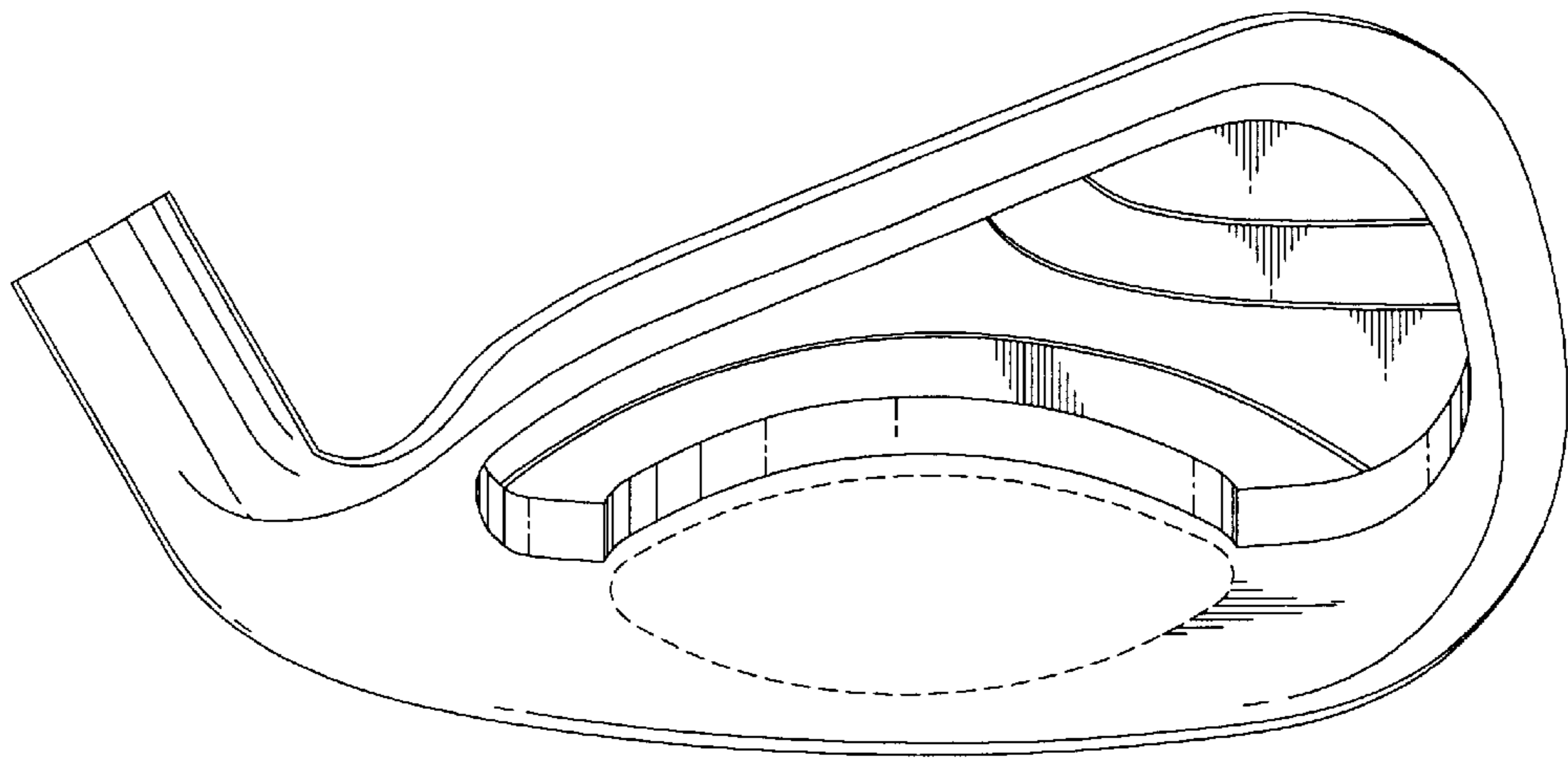


FIG. 3

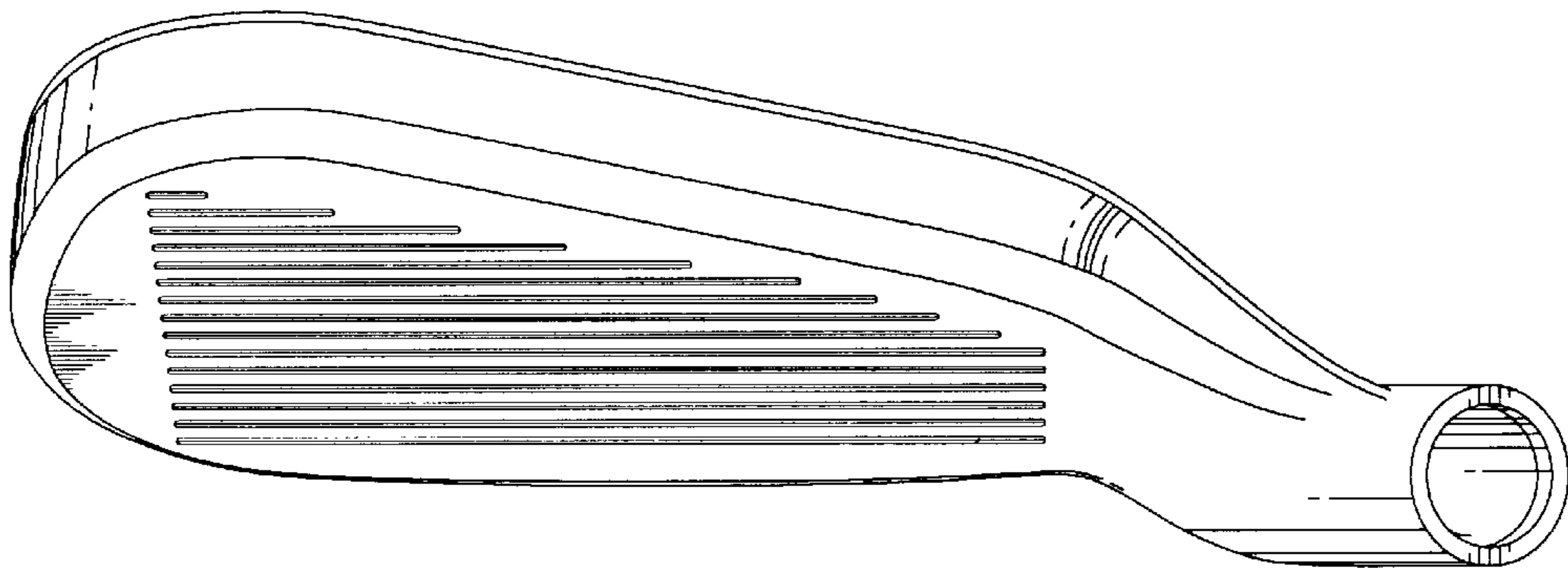


FIG. 4

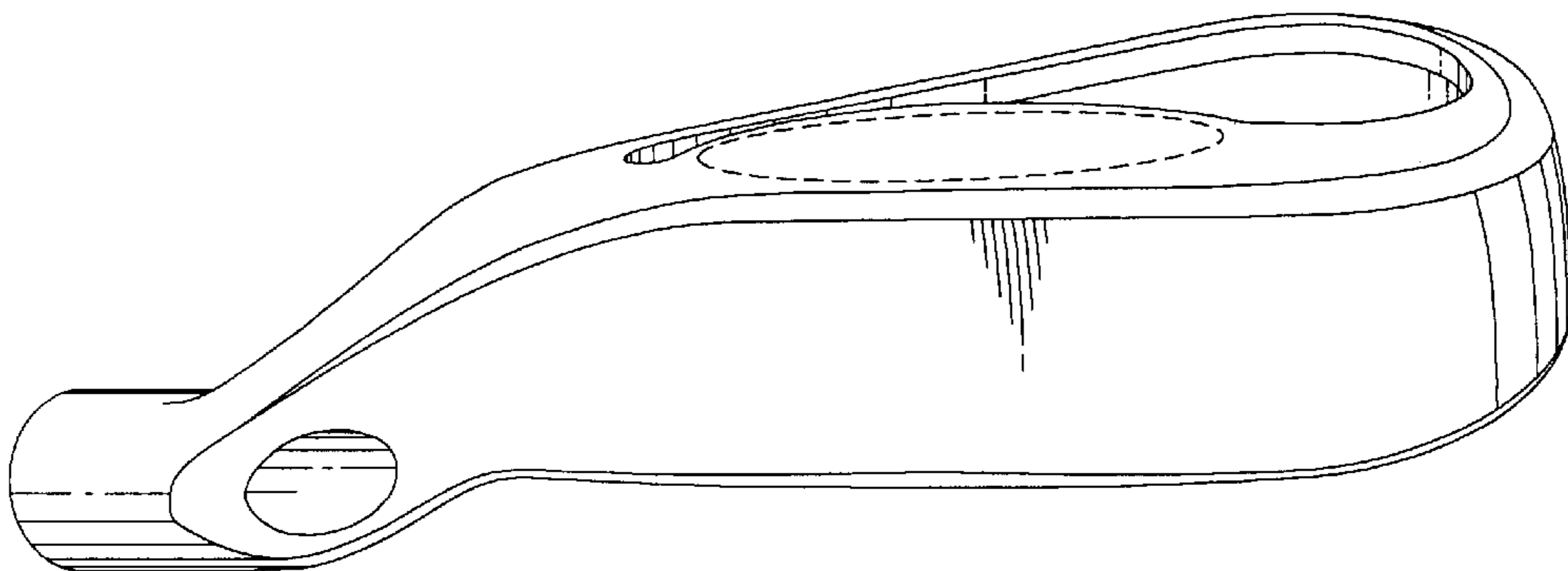


FIG. 5

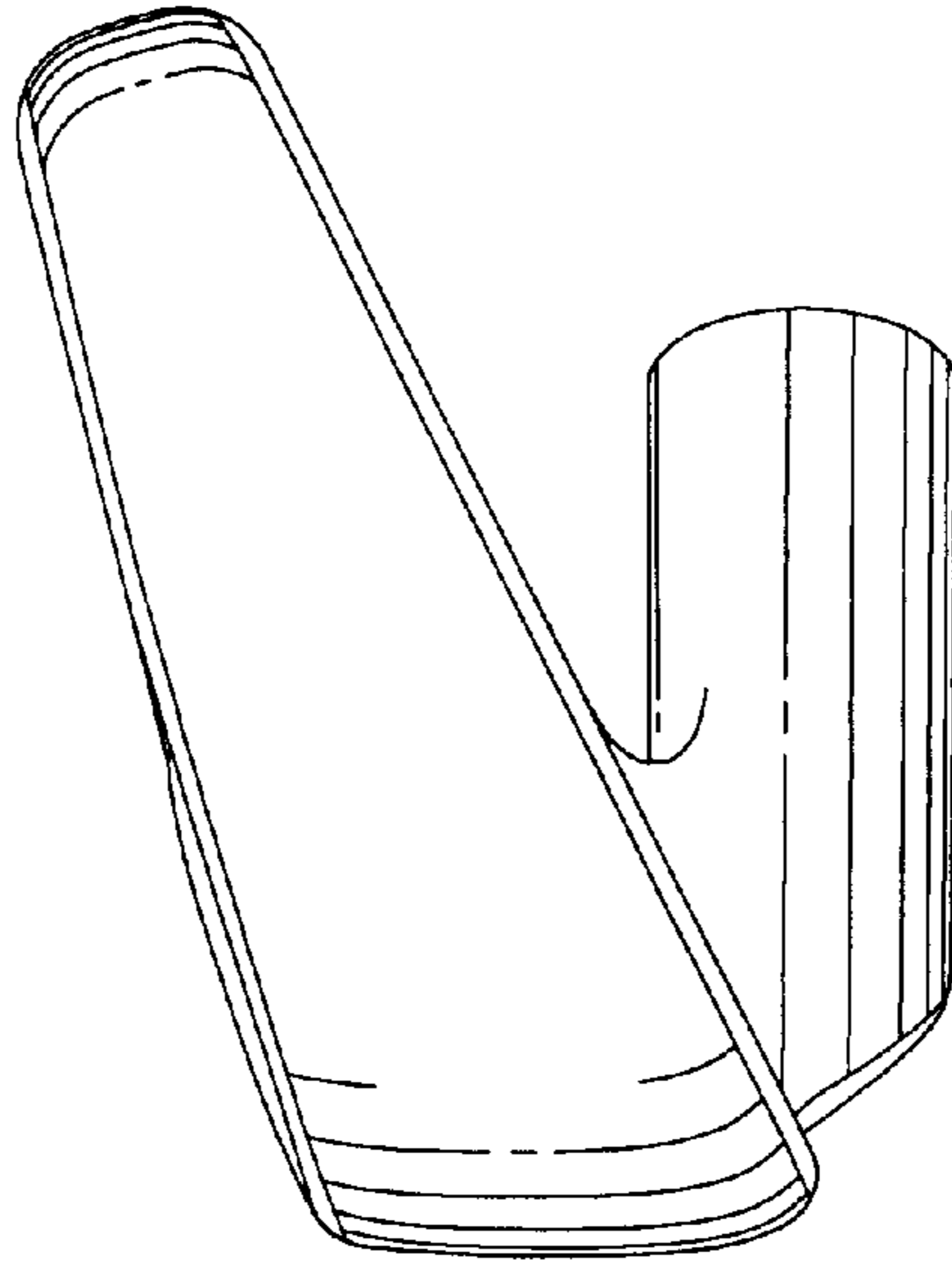


FIG. 6

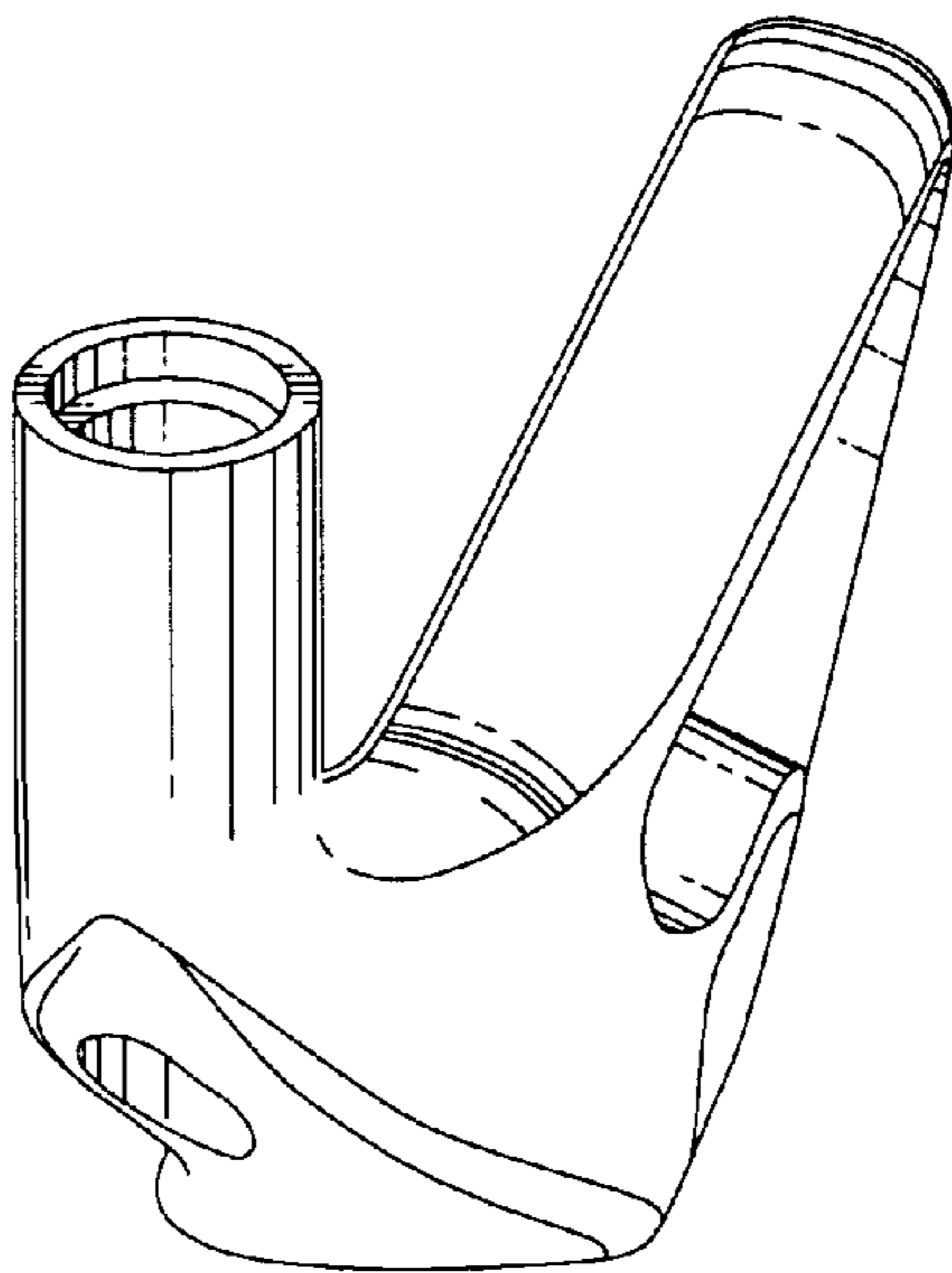


FIG. 7