



US00D435271S

United States Patent [19]

[11] Patent Number: Des. 435,271

Muraki et al.

[45] Date of Patent: ** Dec. 19, 2000

[54] GAME MACHINE

[75] Inventors: **Hiroyuki Muraki; Makiko Otomi**, both of Kobe; **Toru Takeda**, Osaka; **Toshifumi Suzuki**, Amagasaki, all of Japan

[73] Assignee: **Konami Co., Ltd.**, Hyogo-Ken, Japan

[**] Term: **14 Years**

[21] Appl. No.: **29/106,584**

[22] Filed: **Jun. 17, 1999**

[30] Foreign Application Priority Data

Dec. 25, 1998 [JP] Japan 10-38292
Dec. 25, 1998 [JP] Japan 10-38293

[51] LOC (7) Cl. **21-01**

[52] U.S. Cl. **D21/325**

[58] Field of Search D21/324-333,
D21/344, 350, 385; 463/1, 9, 14, 15, 30-35,
46-50; 273/148 B, 237, 239, 259, 283;
446/417; 472/62

[56] References Cited

U.S. PATENT DOCUMENTS

D. 325,938 5/1992 Stuhr D21/344
D. 411,258 6/1999 Isetani et al. D21/328
D. 421,774 3/2000 Toriyama D21/325
4,142,722 3/1979 Romano et al. 463/52
4,275,442 6/1981 Underwood et al. 463/9

4,850,591 7/1989 Takezawa et al. 463/3
5,299,810 4/1994 Pierce et al. 463/2
5,342,057 8/1994 Sorkoram 273/239
5,411,271 5/1995 Mirndo 463/9
5,584,763 12/1996 Kelly et al. 463/16
5,611,731 3/1997 Bouton et al. 273/148 B

Primary Examiner—Prabhakar Deshmukh
Attorney, Agent, or Firm—Jordan and Hamburg LLP

[57] CLAIM

The ornamental design for a game machine, as shown and described.

DESCRIPTION

FIG. 1 is a perspective view of a game machine showing a first embodiment of our new design;
FIG. 2 is a front view thereof;
FIG. 3 is a rear view thereof;
FIG. 4 is a left side view thereof;
FIG. 5 is a right side view thereof;
FIG. 6 is a top view thereof;
FIG. 7 is a bottom view thereof;
FIG. 8 is a perspective view of a game machine showing a second embodiment of our new design;
FIG. 9 is a front view thereof;
FIG. 10 is a rear view thereof;
FIG. 11 is a left side view thereof;
FIG. 12 is a right side view thereof;
FIG. 13 is a top view thereof; and,
FIG. 14 is a bottom view thereof.

1 Claim, 14 Drawing Sheets

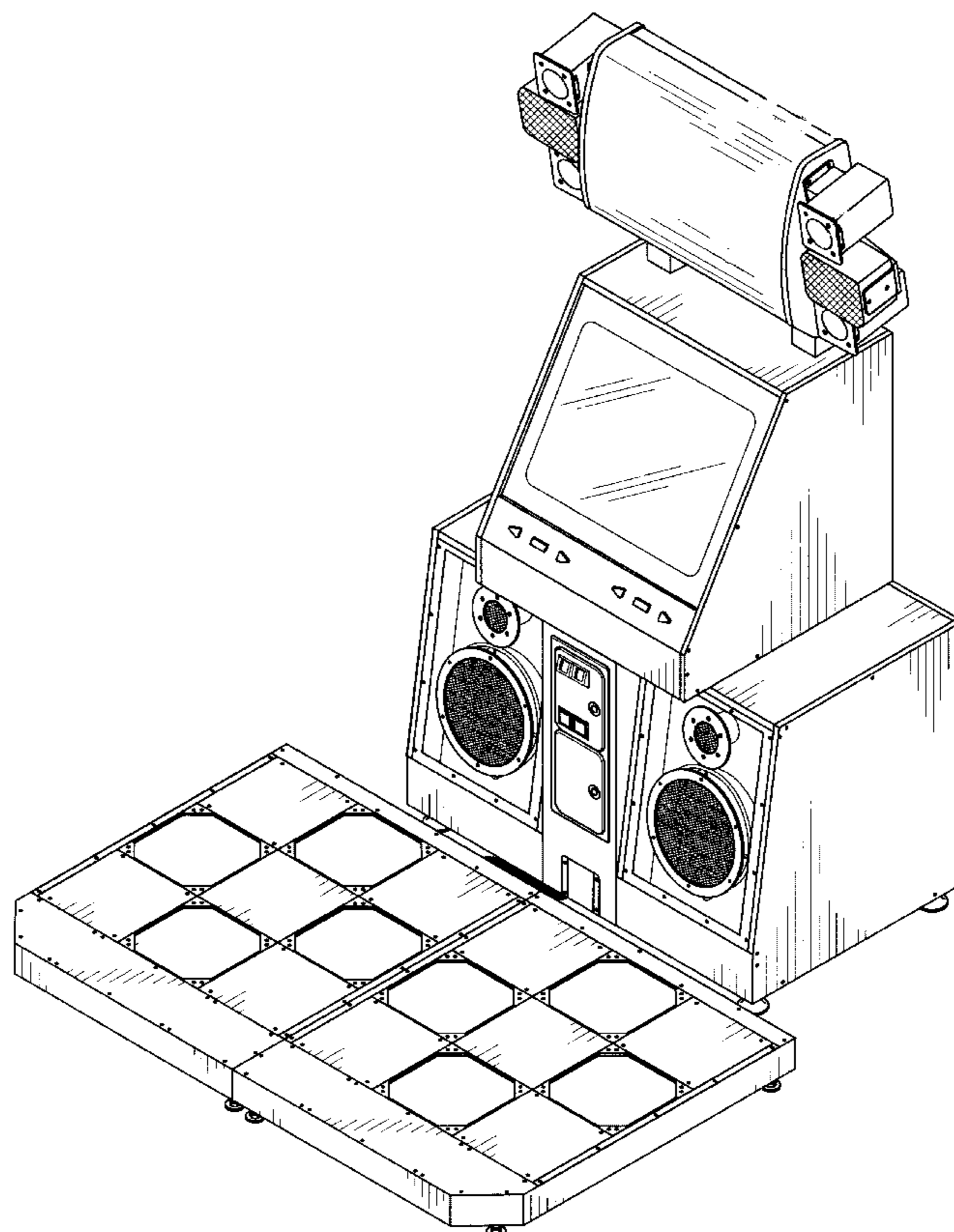


FIG. 1

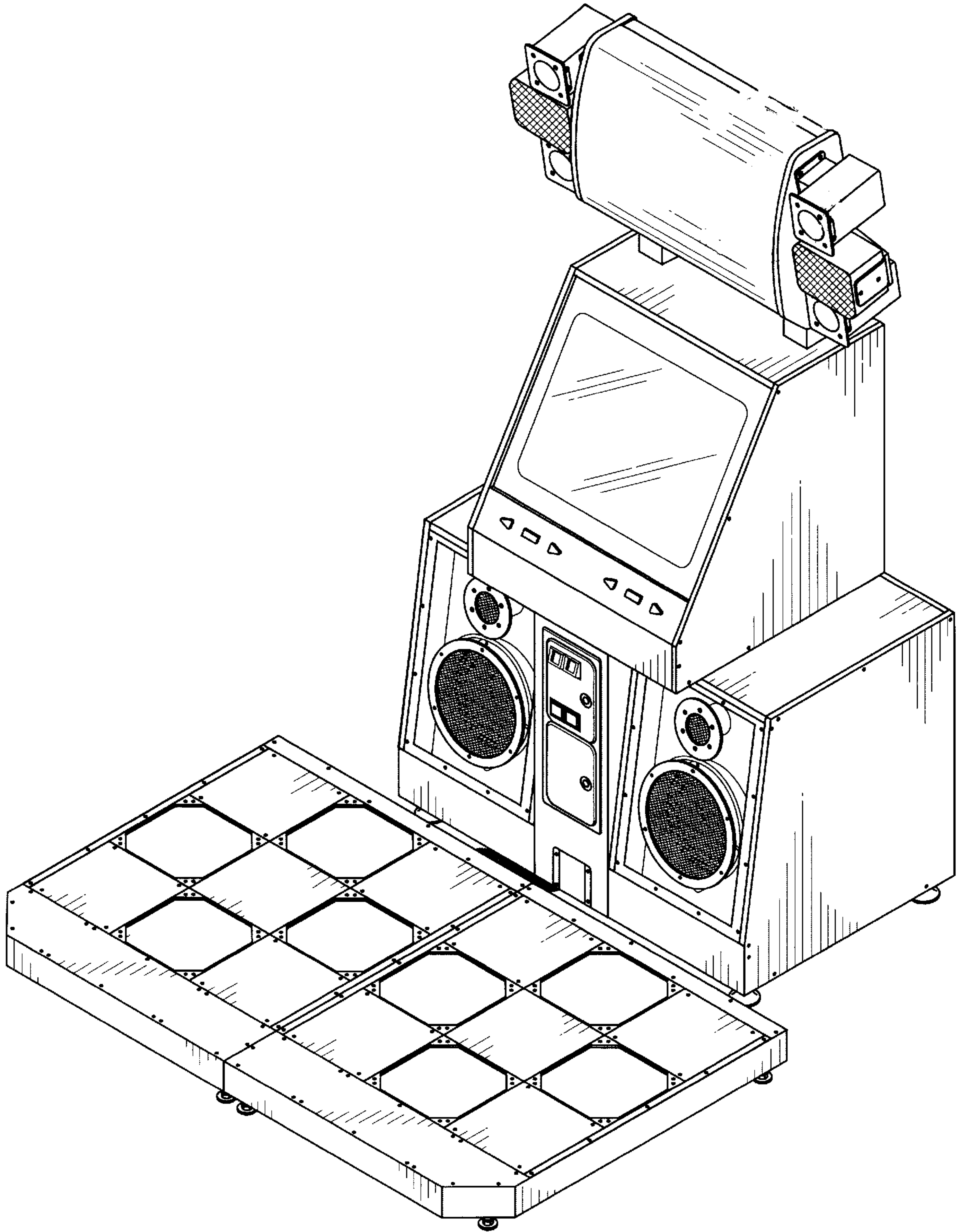


FIG. 2

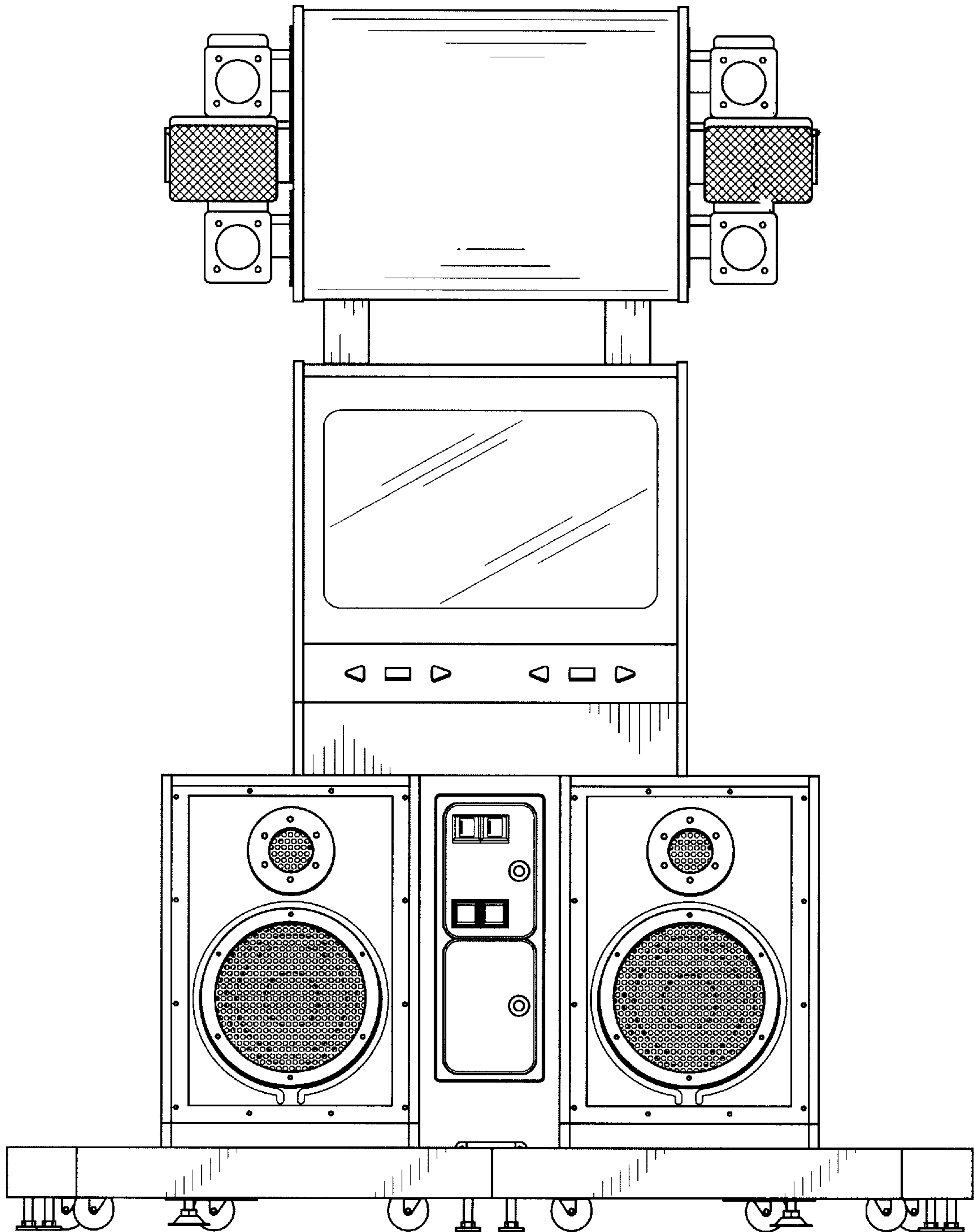


FIG. 3

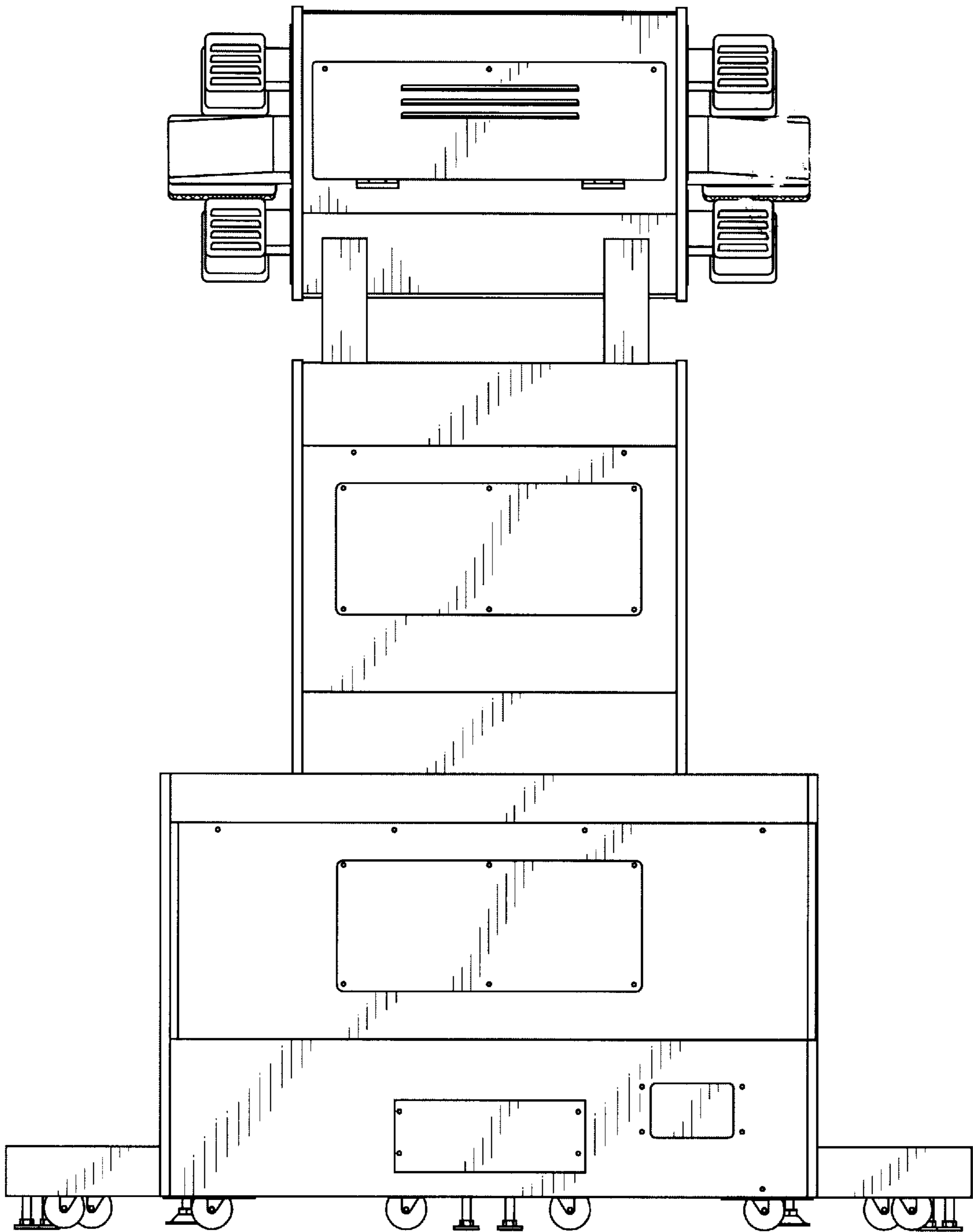


FIG. 4

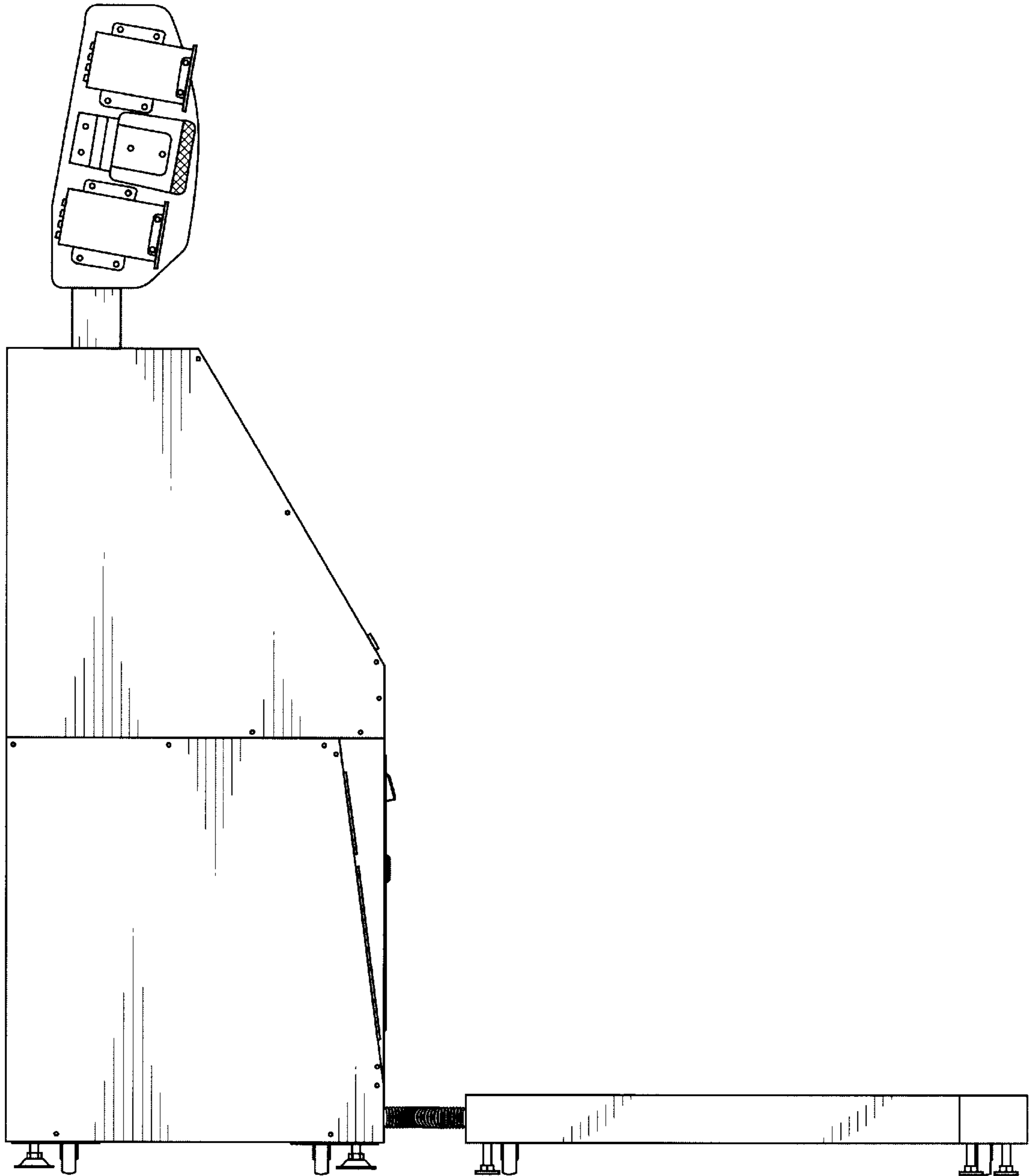


FIG. 5

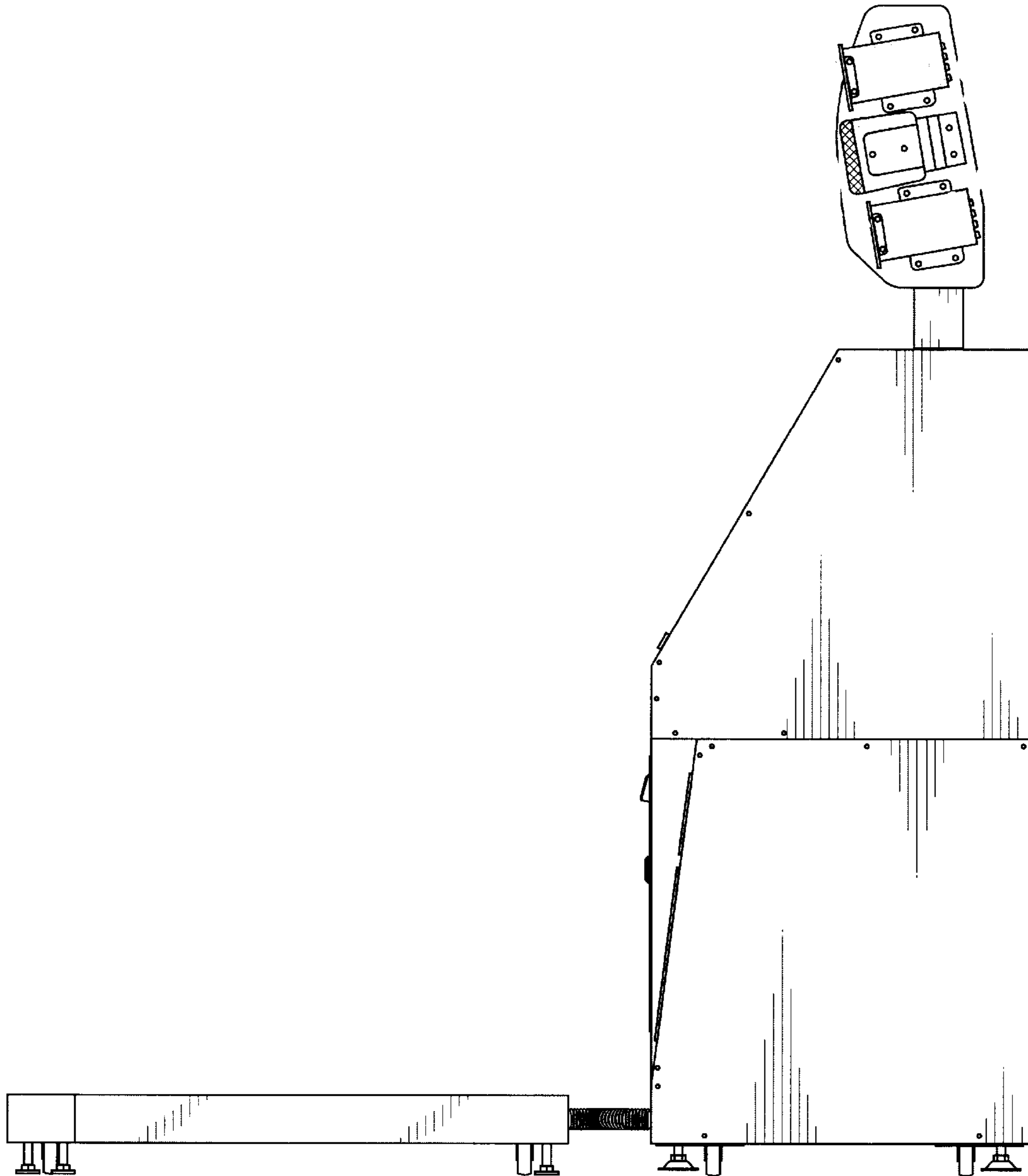


FIG. 6

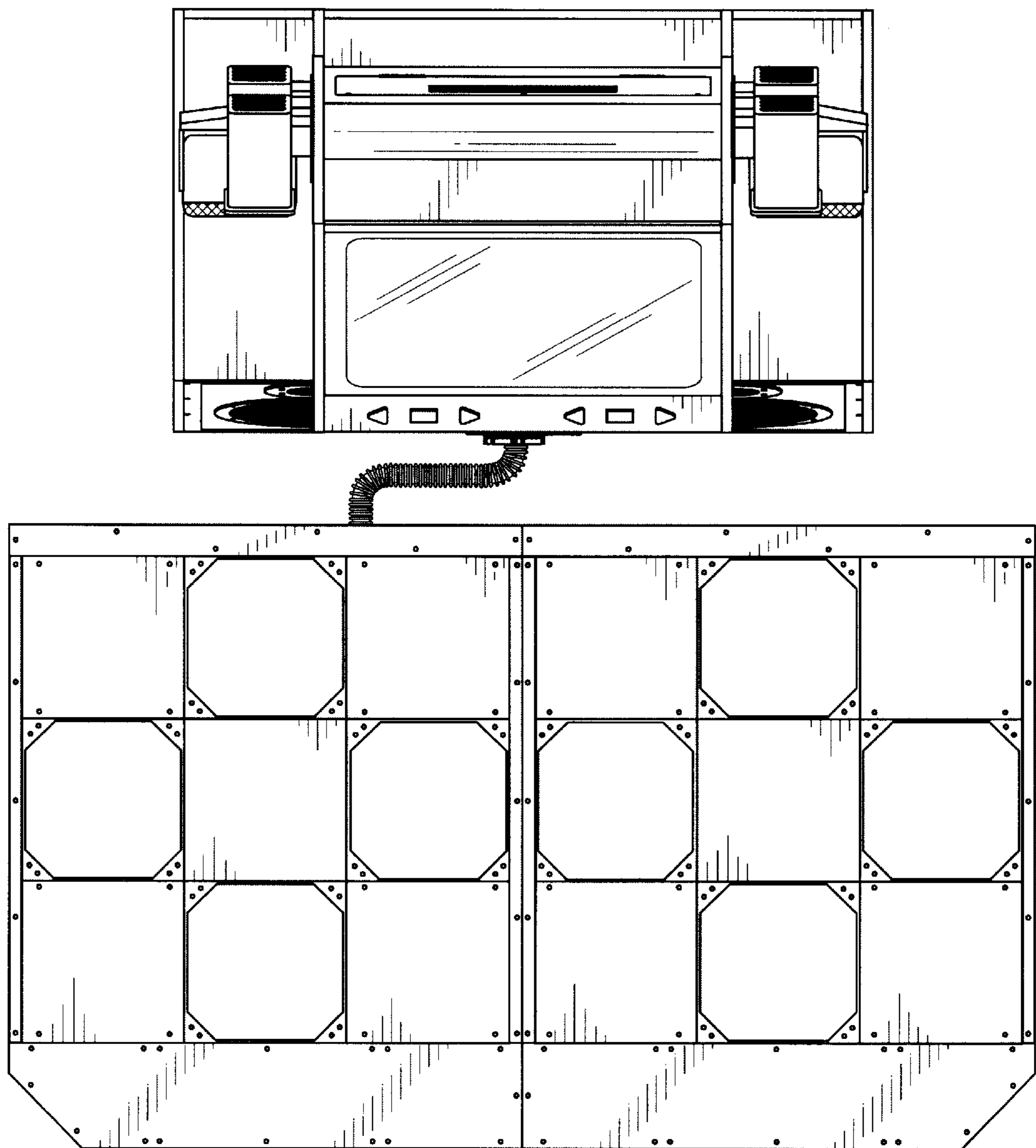


FIG. 7

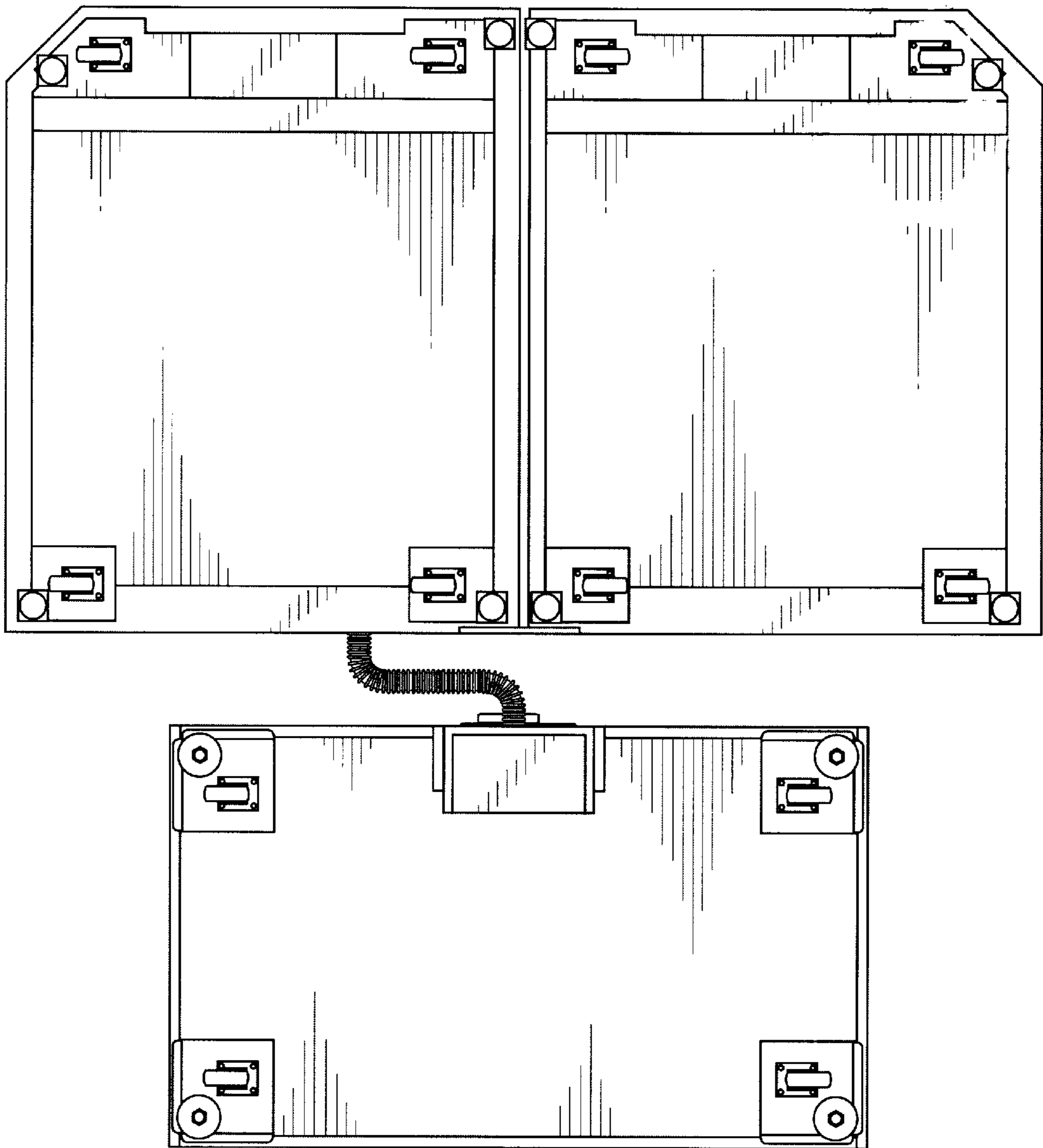


FIG. 8

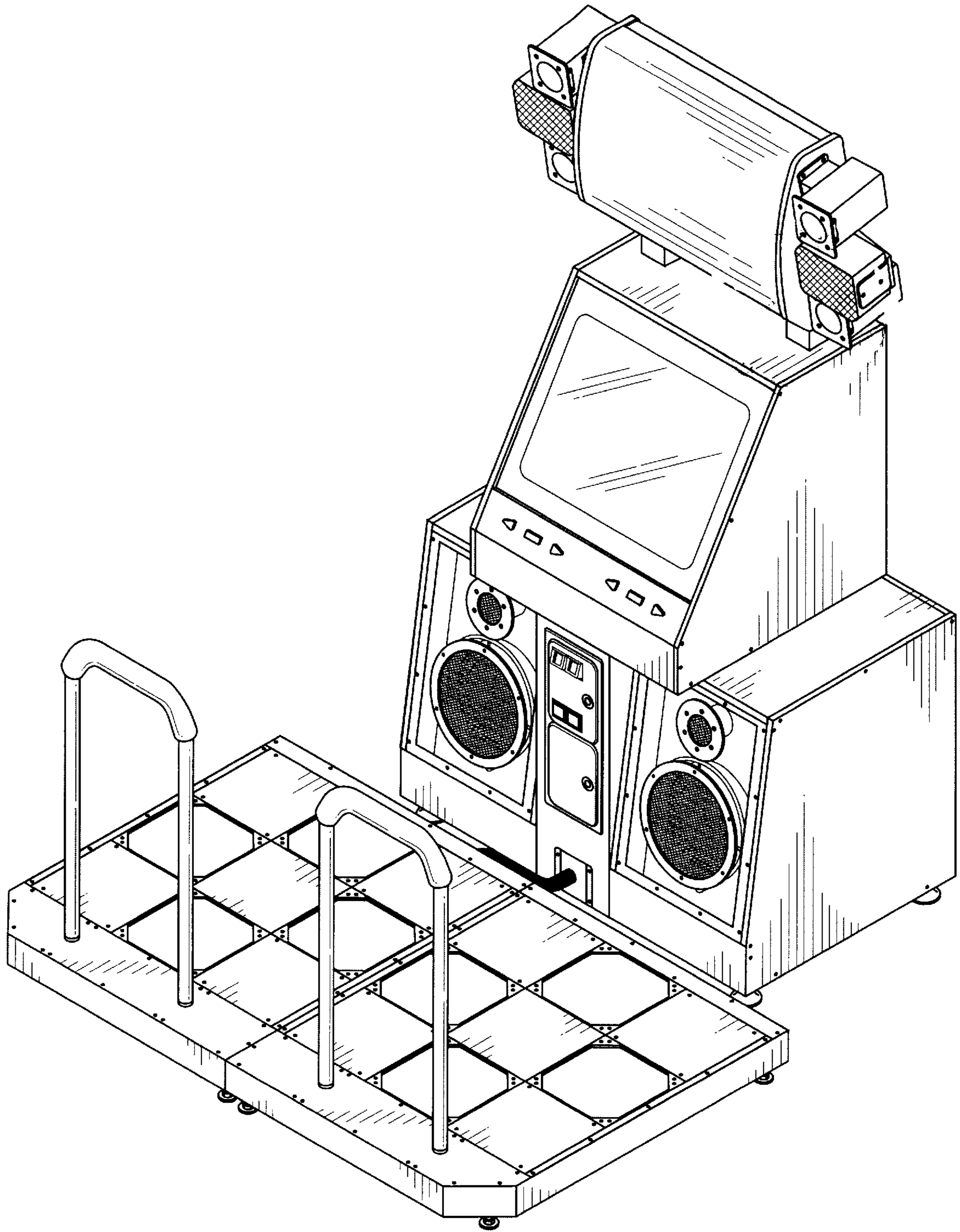


FIG. 9

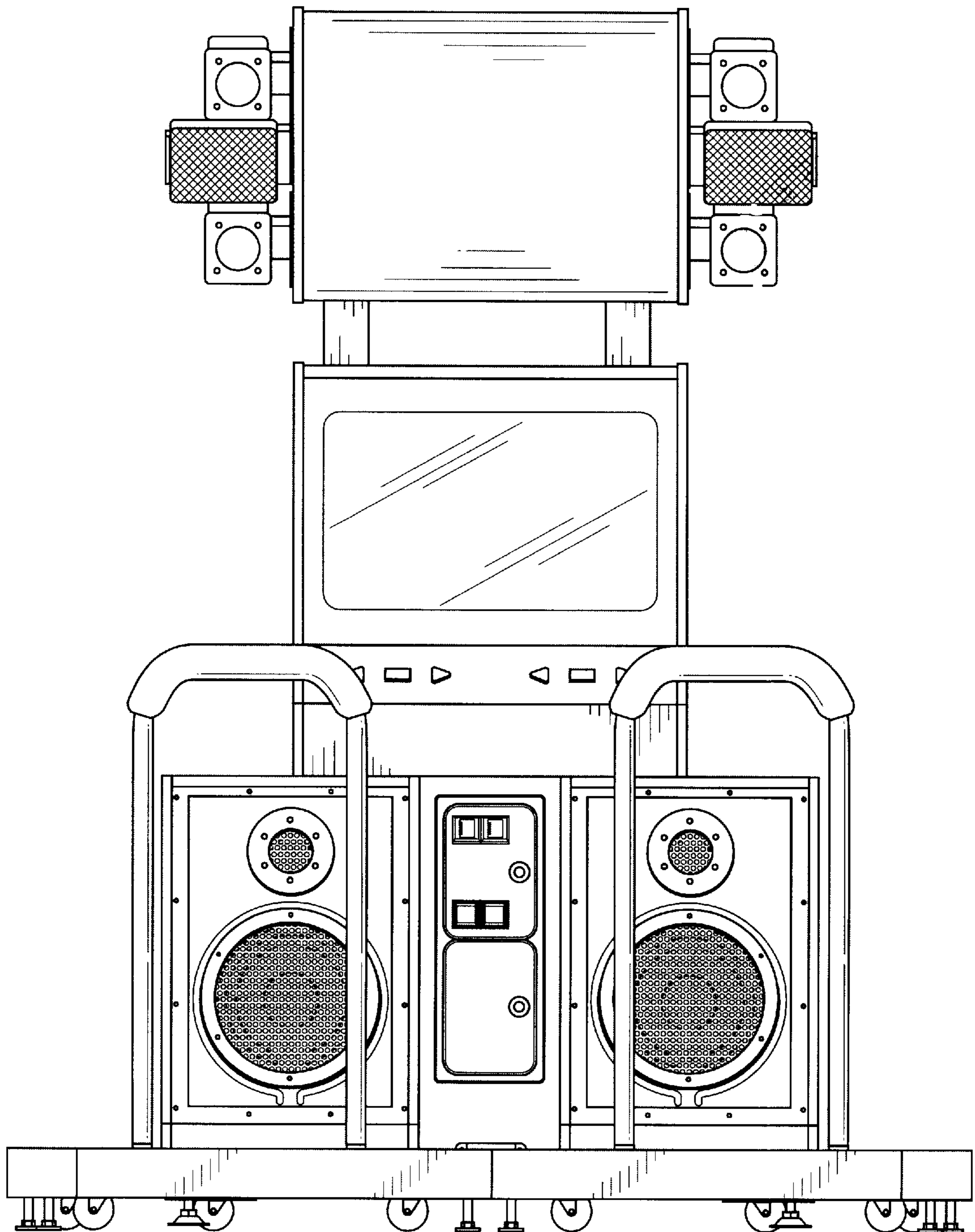


FIG. 10

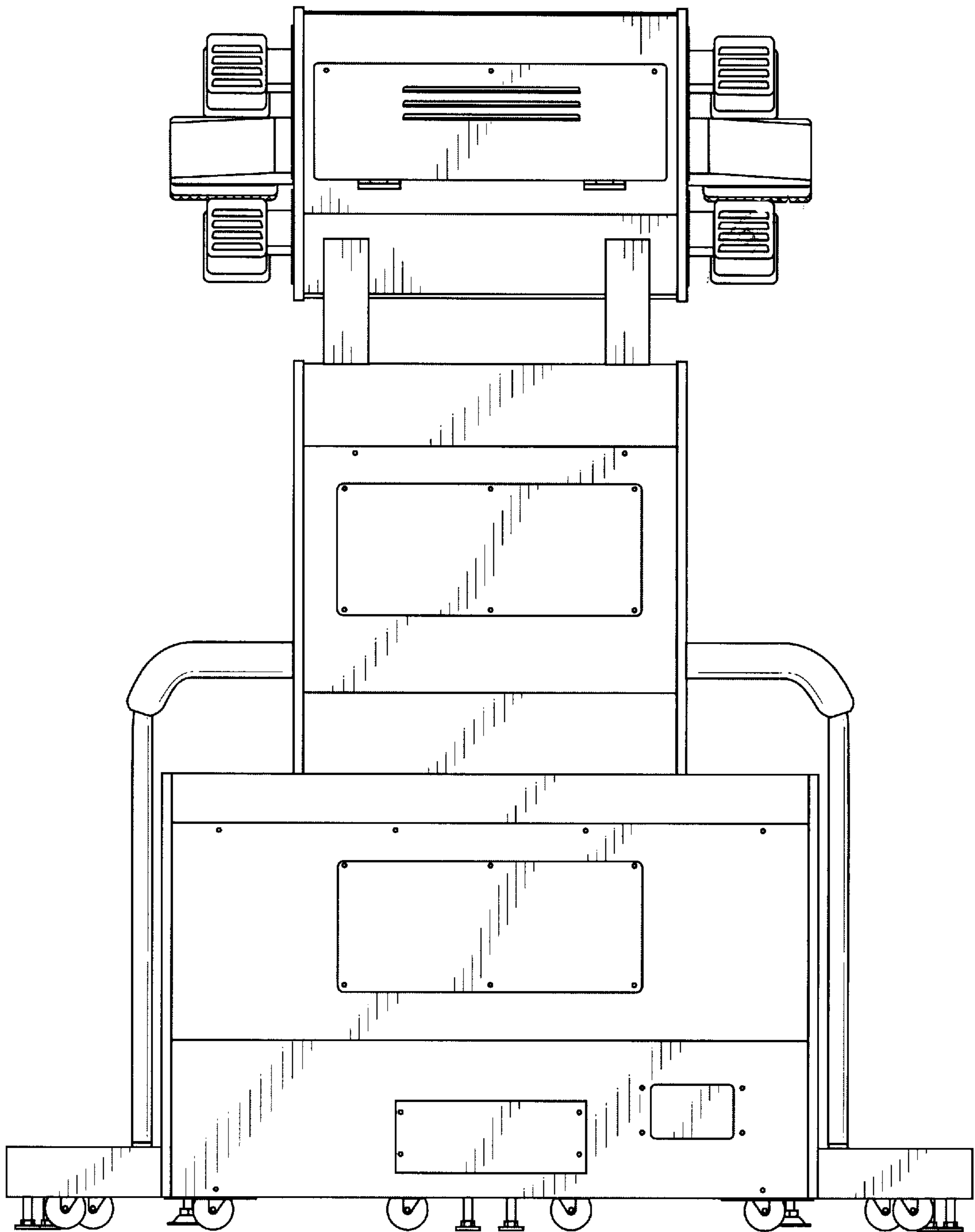


FIG. 11

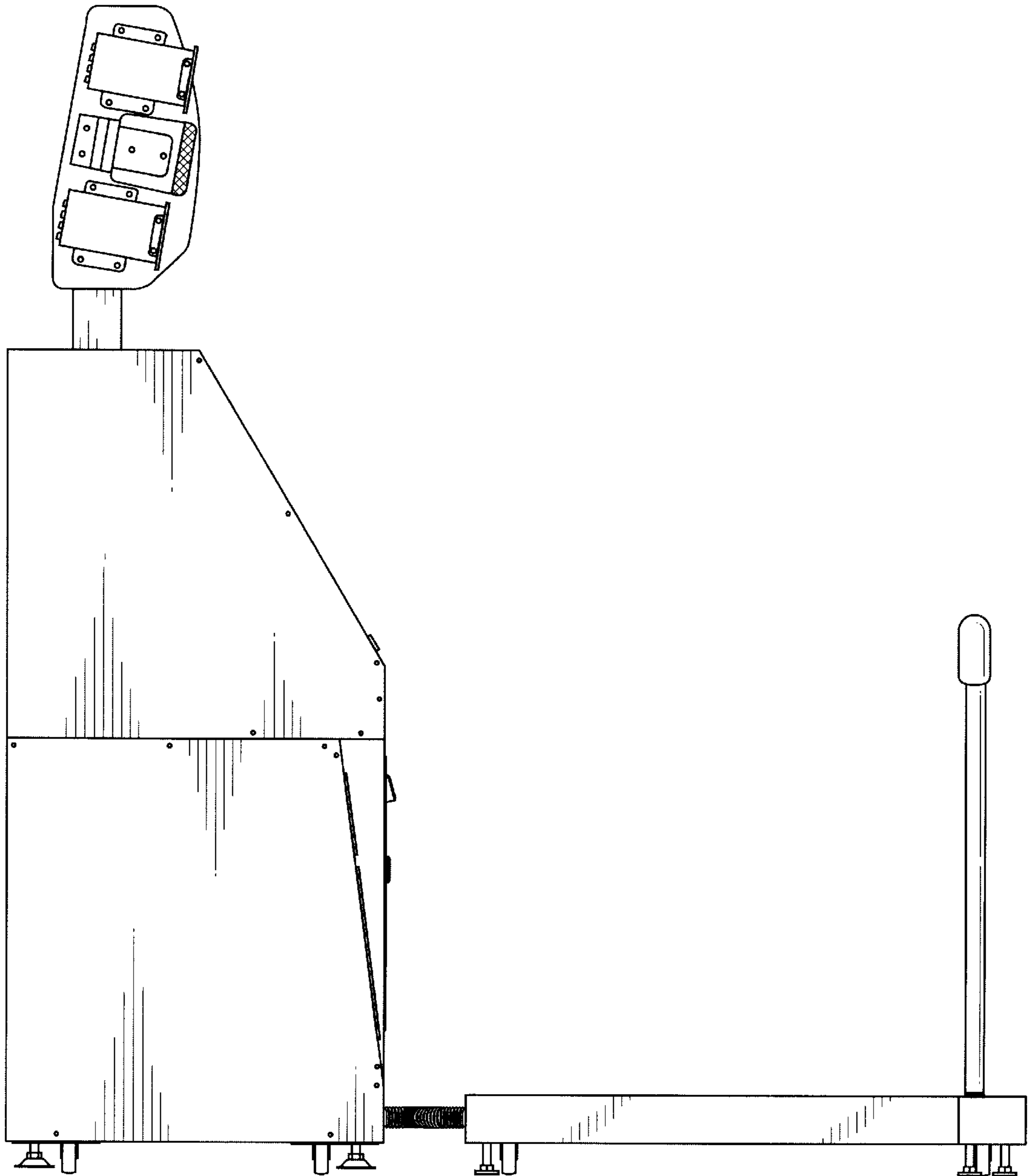


FIG. 12

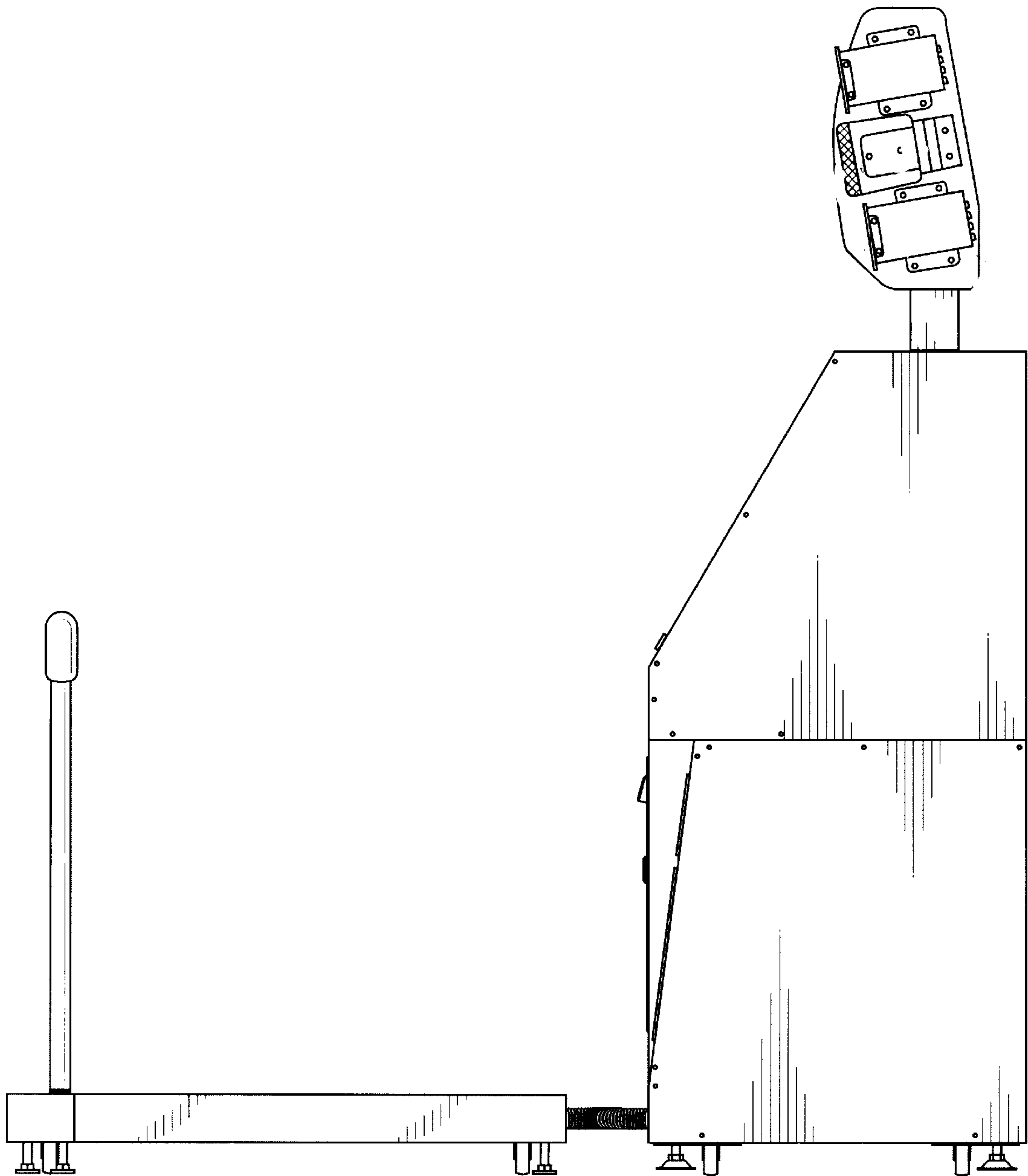


FIG. 13

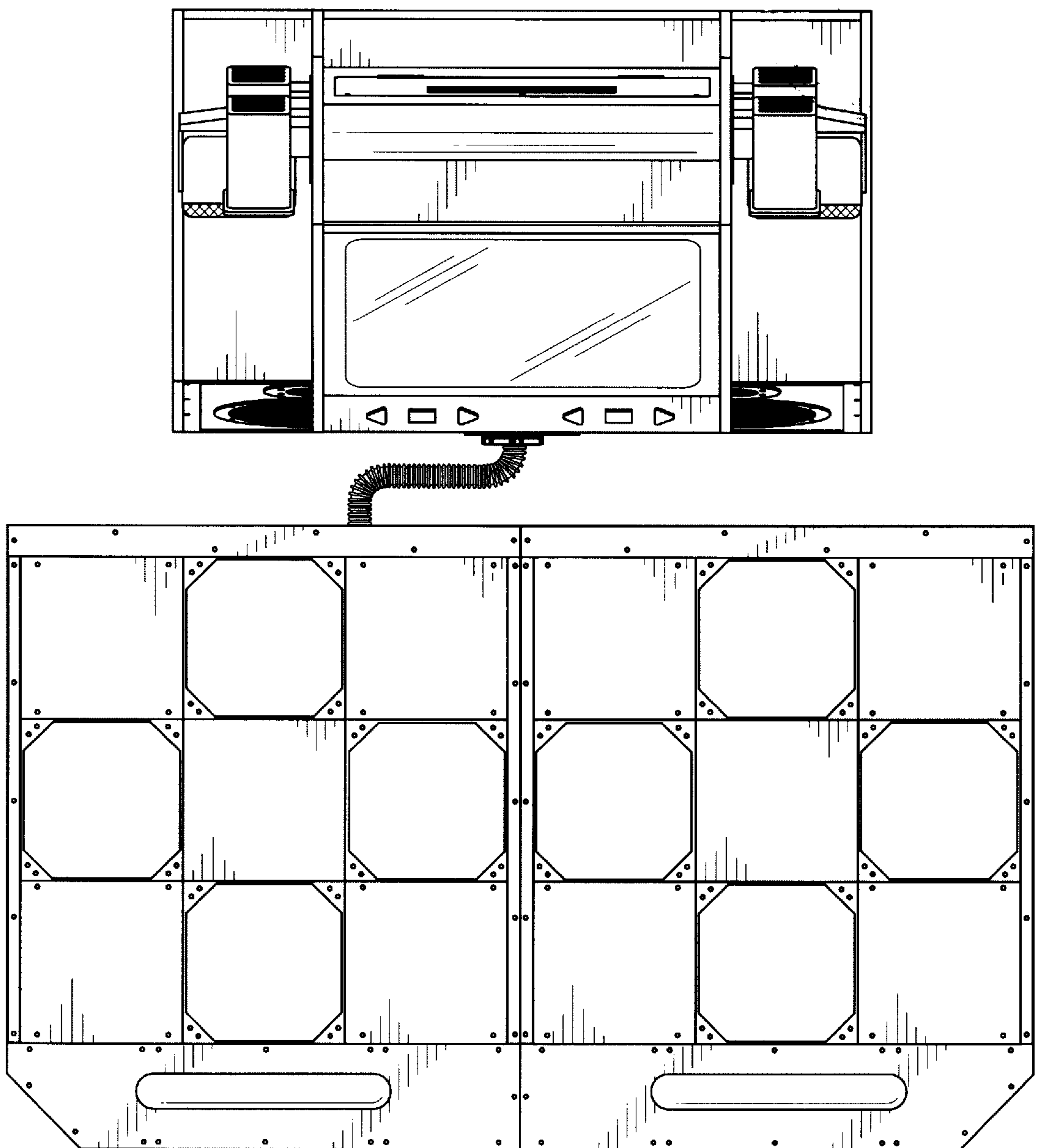


FIG. 14

