



US00D435270S

**United States Patent** [19]  
**Healy**

[11] **Patent Number: Des. 435,270**

[45] **Date of Patent: \*\* Dec. 19, 2000**

[54] **SIGN**

[75] **Inventor: Donall B. Healy, New York, N.Y.**

[73] **Assignee: Visual Graphic Systems Inc., New York, N.Y.**

[\*\*] **Term: 14 Years**

[21] **Appl. No.: 29/124,131**

[22] **Filed: May 31, 2000**

**Related U.S. Application Data**

[63] Continuation of application No. 09/118,494, Jul. 17, 1998, which is a continuation-in-part of application No. PCT/US96/17716, Nov. 1, 1996, and a continuation-in-part of application No. 08/590,570, Jan. 26, 1996, abandoned, which is a continuation-in-part of application No. 08/587,665, Jan. 17, 1996, abandoned

[60] Provisional application No. 60/062,358, Oct. 15, 1997.

[51] **LOC (7) Cl. .... 19-08**

[52] **U.S. Cl. .... D20/10**

[58] **Field of Search .... D20/10, 39, 40; 40/584, 606, 607, 608, 611, 612, 624**

[56] **References Cited**

**U.S. PATENT DOCUMENTS**

D. 408,458	4/1999	Hempel .....	D20/10
D. 412,893	12/1999	Hunter et al. ....	D20/10
D. 417,440	12/1999	Wilson .....	D20/10

*Primary Examiner*—Marcus A. Jackson  
*Attorney, Agent, or Firm*—Darby & Darby

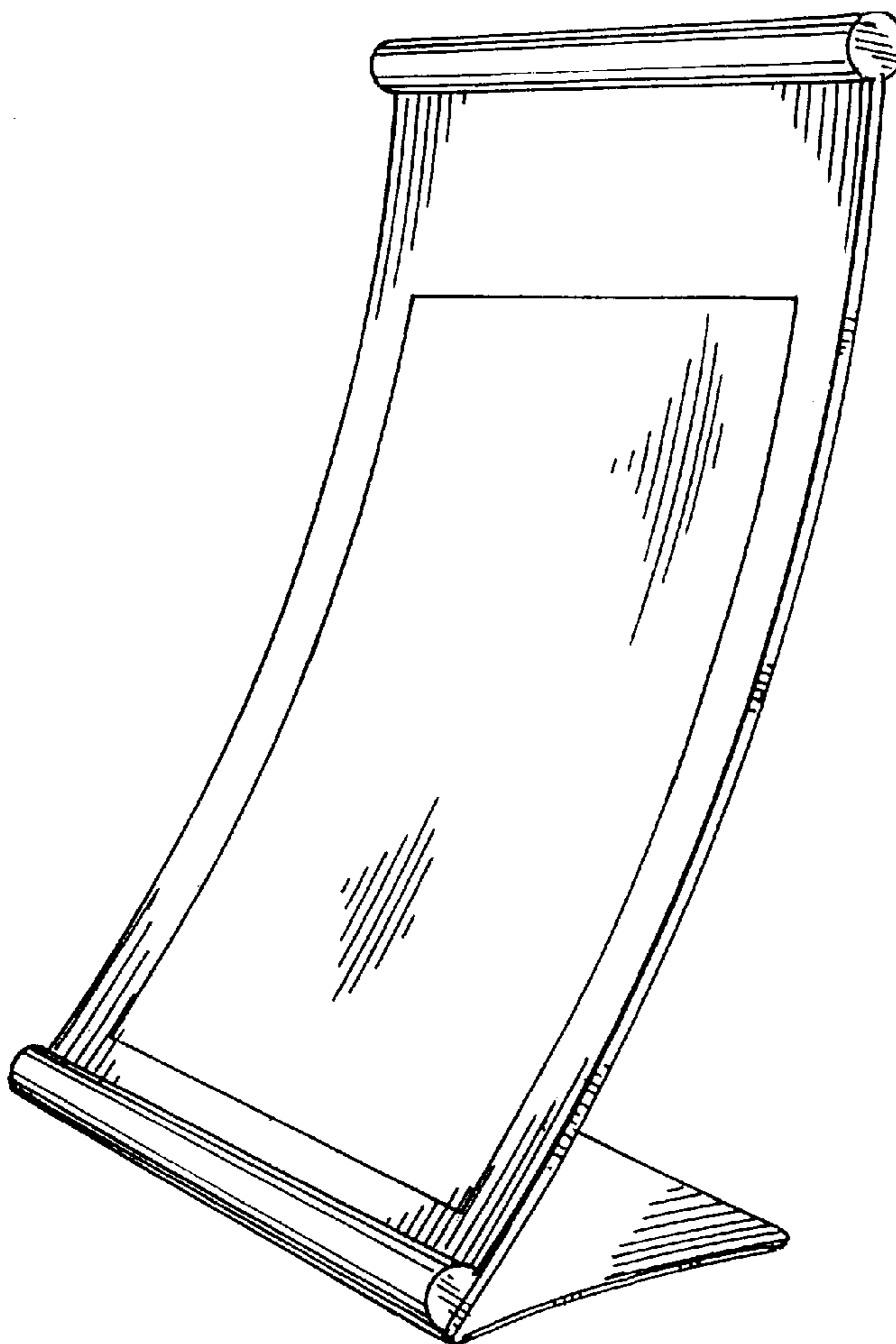
[57] **CLAIM**

The ornamental design for a sign, as shown.

**DESCRIPTION**

FIG. 1 is a perspective view showing the ornamental design of a sign according to my invention; FIG. 2 is a side plan view of the sign as shown in FIG. 1, the opposite side view being identical; FIG. 3 is a front plan view of the sign shown in FIG. 1; FIG. 4 is a rear plan view of the sign shown in FIG. 1; FIG. 5 is a top plan view of the sign shown in FIG. 1; and, FIG. 6 is a bottom plan view of the sign shown in FIG. 1.

**1 Claim, 2 Drawing Sheets**



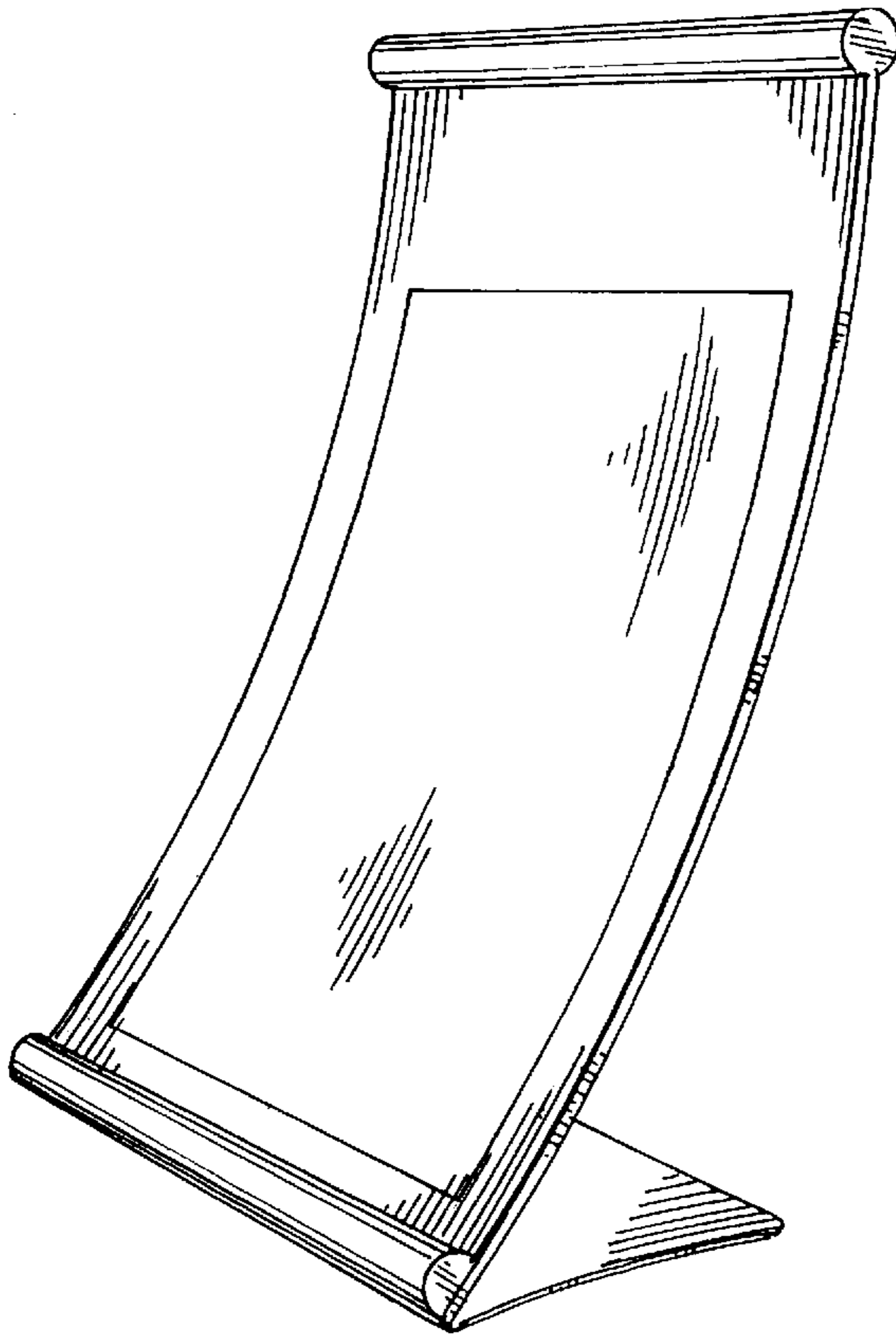


FIG. 1

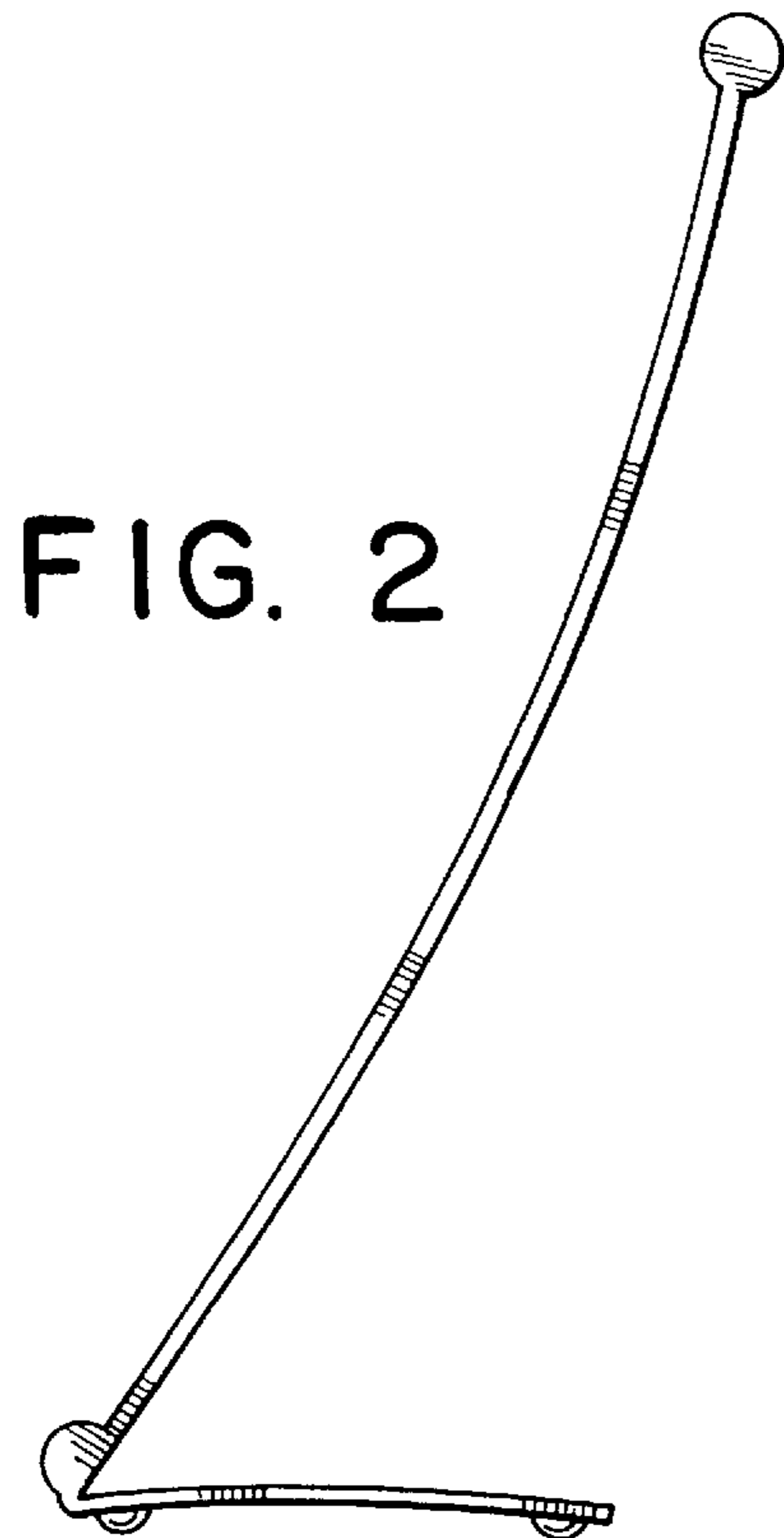
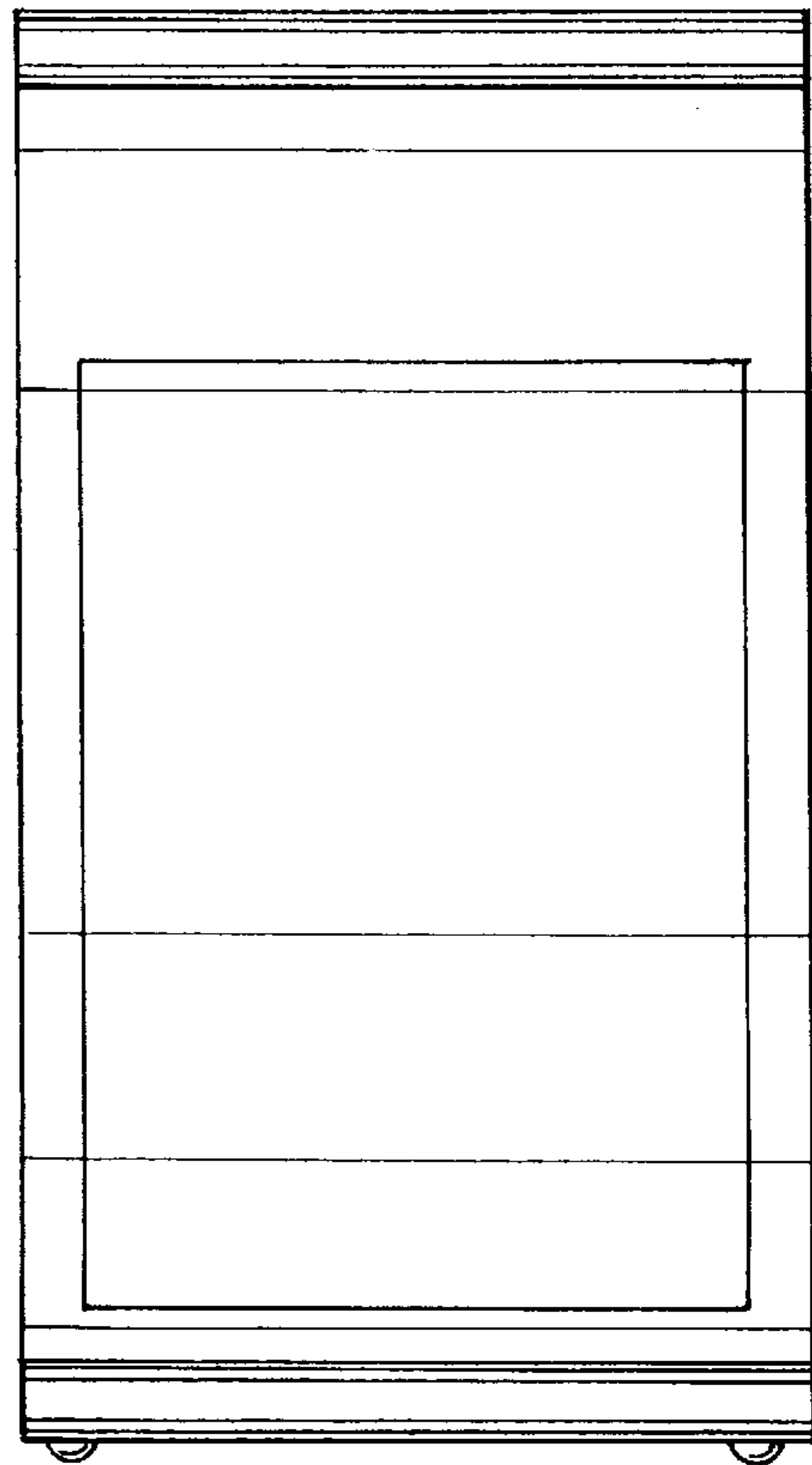


FIG. 2

FIG. 3



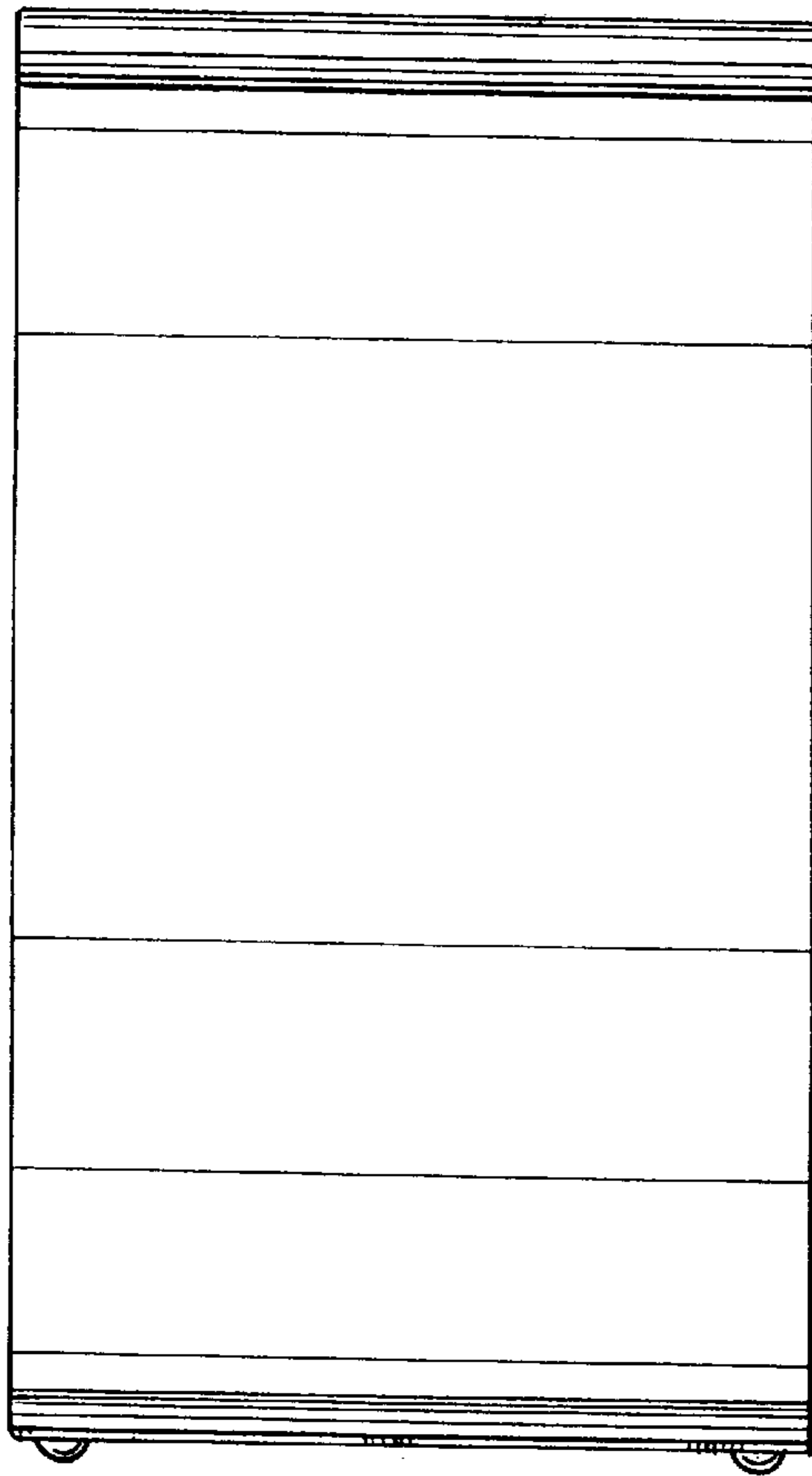


FIG. 4

FIG. 5

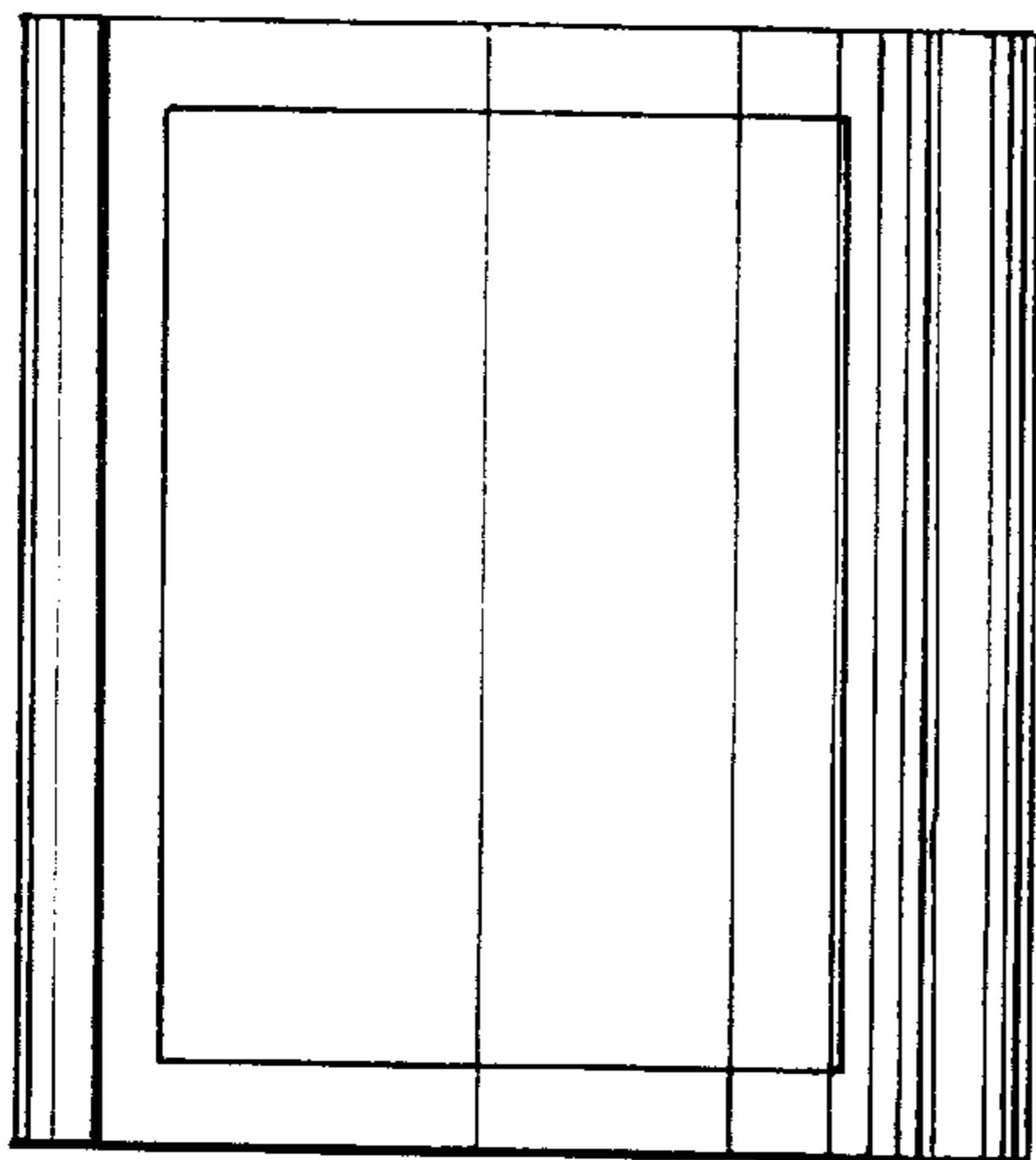


FIG. 6

