



US00D435267S

United States Patent [19]

Beck et al.

[11] Patent Number: Des. 435,267

[45] Date of Patent: ** Dec. 19, 2000

[54] **PRINTER WITH INPUT AND OUTPUT TRAYS**

[75] Inventors: **Edwin Lord Beck; Dennis Chua**, both of Singapore, Singapore

[73] Assignee: **Hewlett-Packard Company**, Palo Alto, Calif.

[**] Term: **14 Years**

[21] Appl. No.: **29/114,810**

[22] Filed: **Dec. 1, 1999**

[51] **LOC (7) Cl.** **14-02**

[52] **U.S. Cl.** **D18/55**

[58] **Field of Search** D18/50, 53, 54-55, D18/56, 36-39; 400/613, 613.1-613.4, 691-694, 690.1-690.4; D14/462

[56] **References Cited**

U.S. PATENT DOCUMENTS

D. 373,595	9/1996	Askren et al.	D18/50
D. 382,256	8/1997	Lin	D18/50
D. 388,405	12/1997	Lin	D18/50
D. 390,593	2/1998	Inoue	D18/54

D. 390,595	2/1998	Sekine	D18/54
D. 392,311	3/1998	Takano	D18/50
D. 407,712	4/1999	Hasegawa	D18/50
D. 412,013	7/1999	Karten et al.	D18/50
D. 414,799	10/1999	Cook et al.	D18/55
D. 421,768	3/2000	Blair et al.	D18/50
D. 423,563	4/2000	Collins et al.	D18/55
D. 424,099	5/2000	Pangburn	D18/50
D. 429,279	8/2000	Dwyer et al.	D18/55

Primary Examiner—Cathy Anne MacCormac

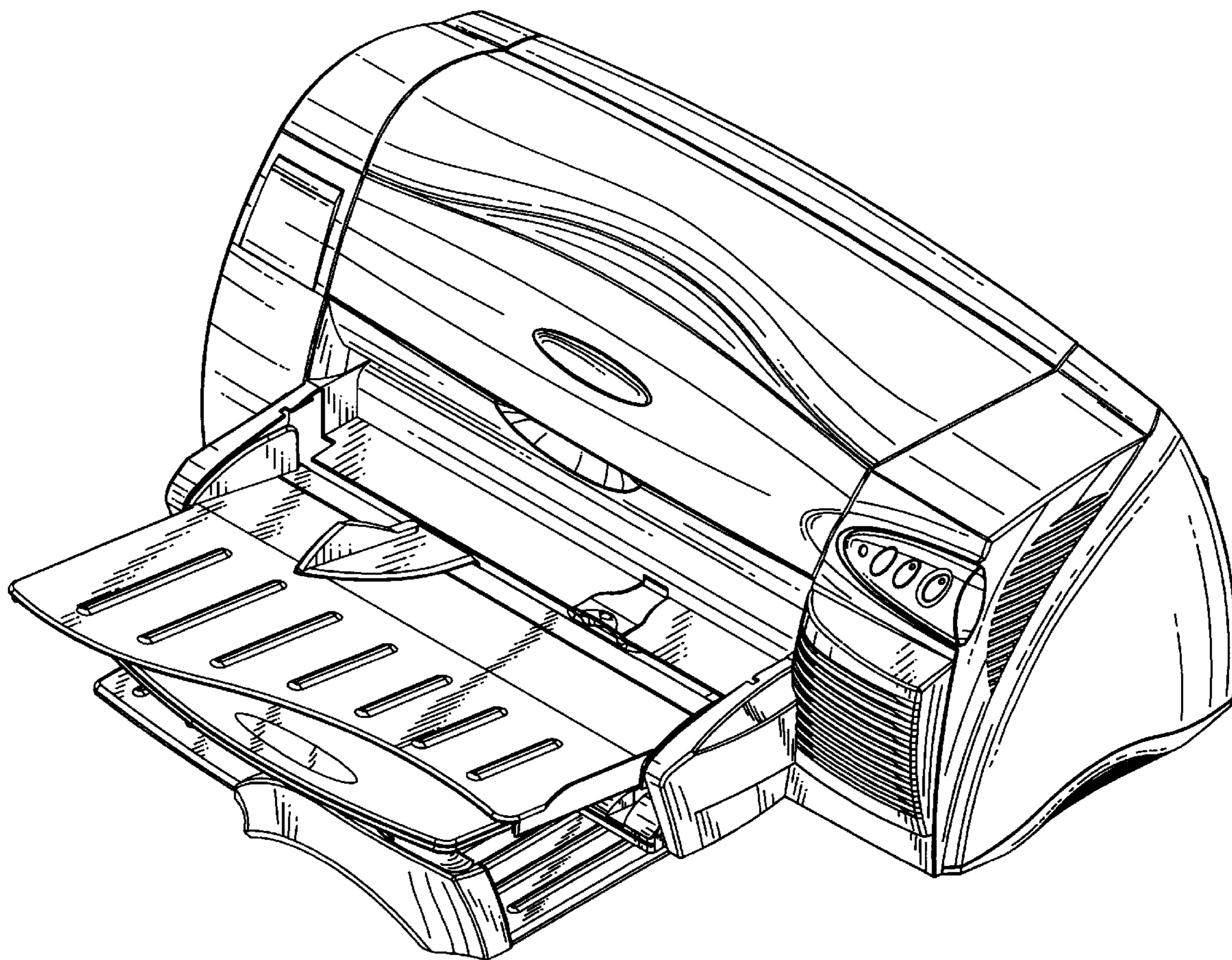
[57] **CLAIM**

The ornamental design for a printer with input and output trays, as shown.

DESCRIPTION

FIG. 1 is a perspective view of a printer with input and output trays;
FIG. 2 is a front elevation view thereof;
FIG. 3 is a rear elevation view thereof;
FIG. 4 is a left side elevation view thereof;
FIG. 5 is a right side elevation view thereof;
FIG. 6 is a top plan view thereof; and,
FIG. 7 is a bottom plan view thereof;

1 Claim, 7 Drawing Sheets



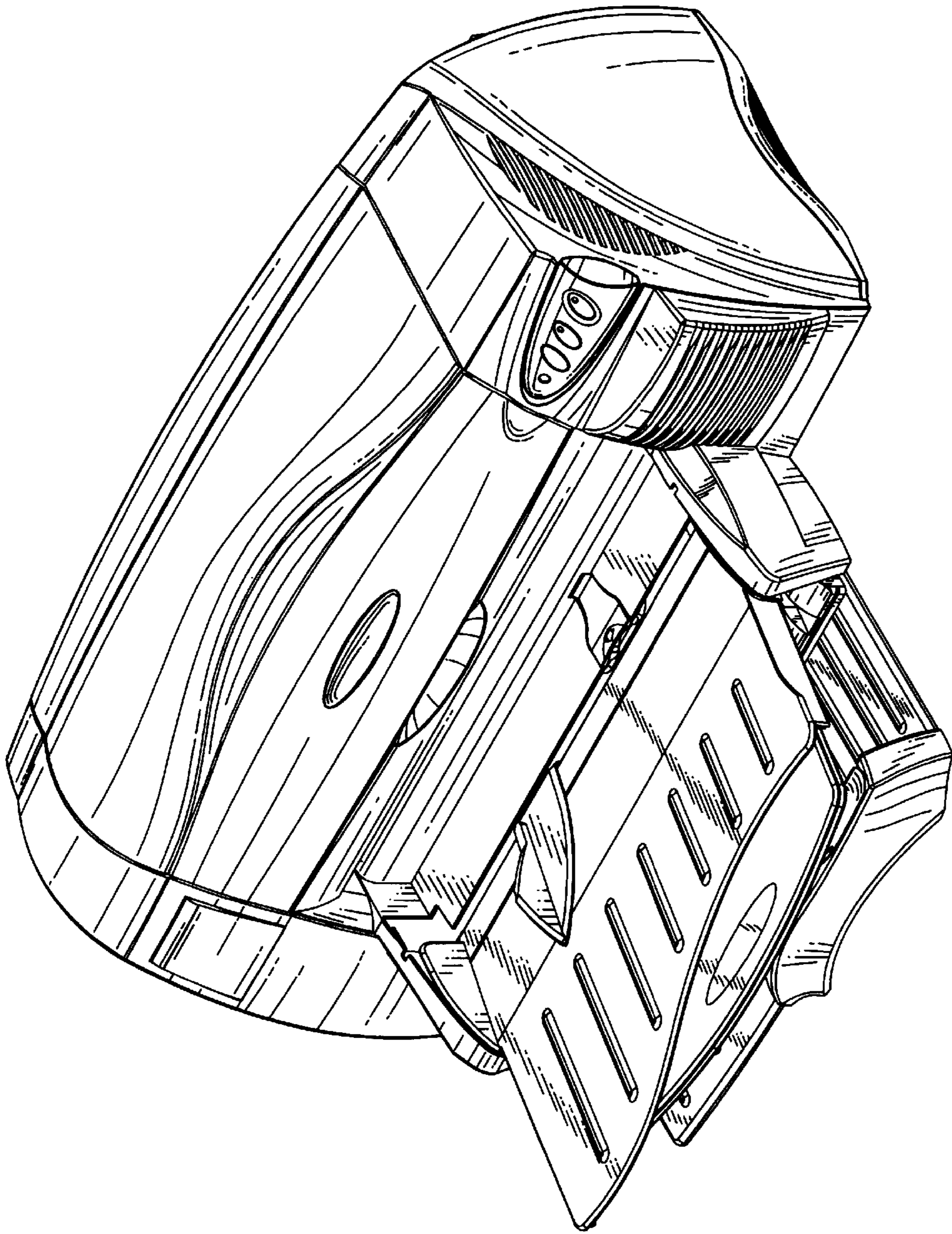


Figure 1

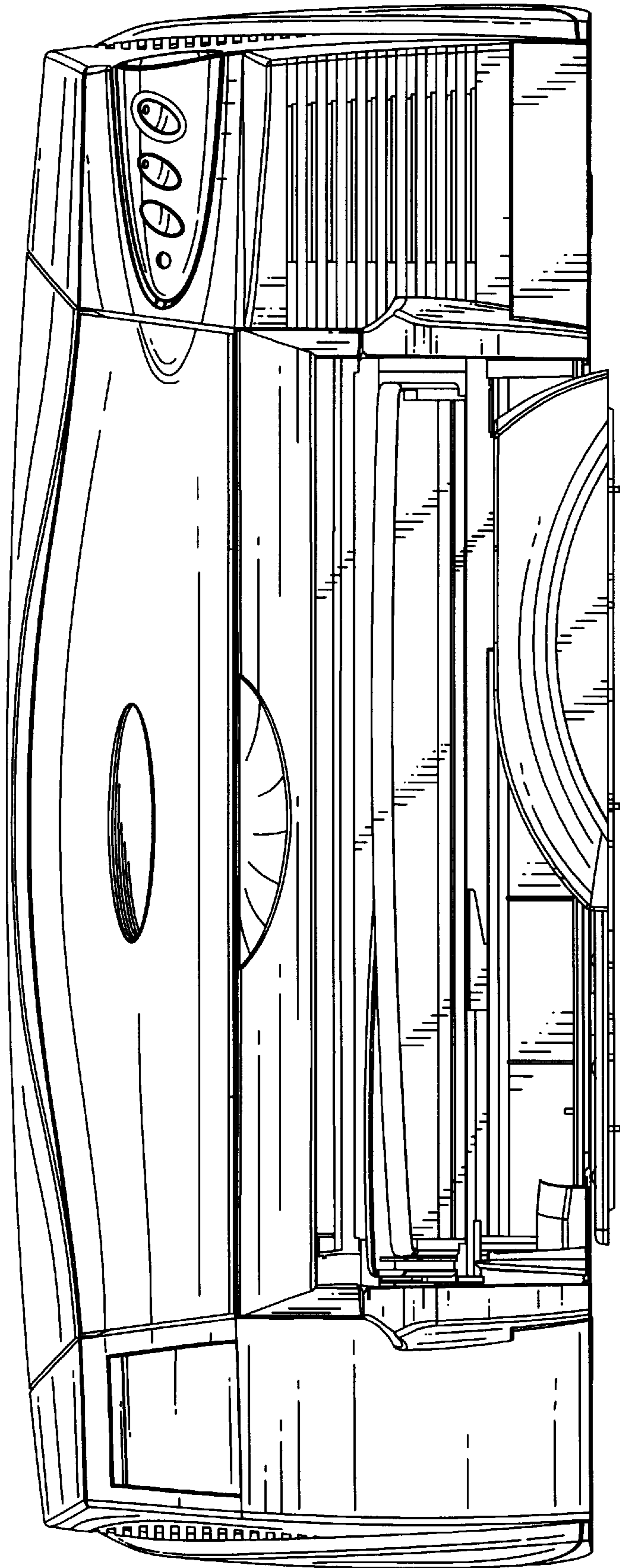


Figure 2

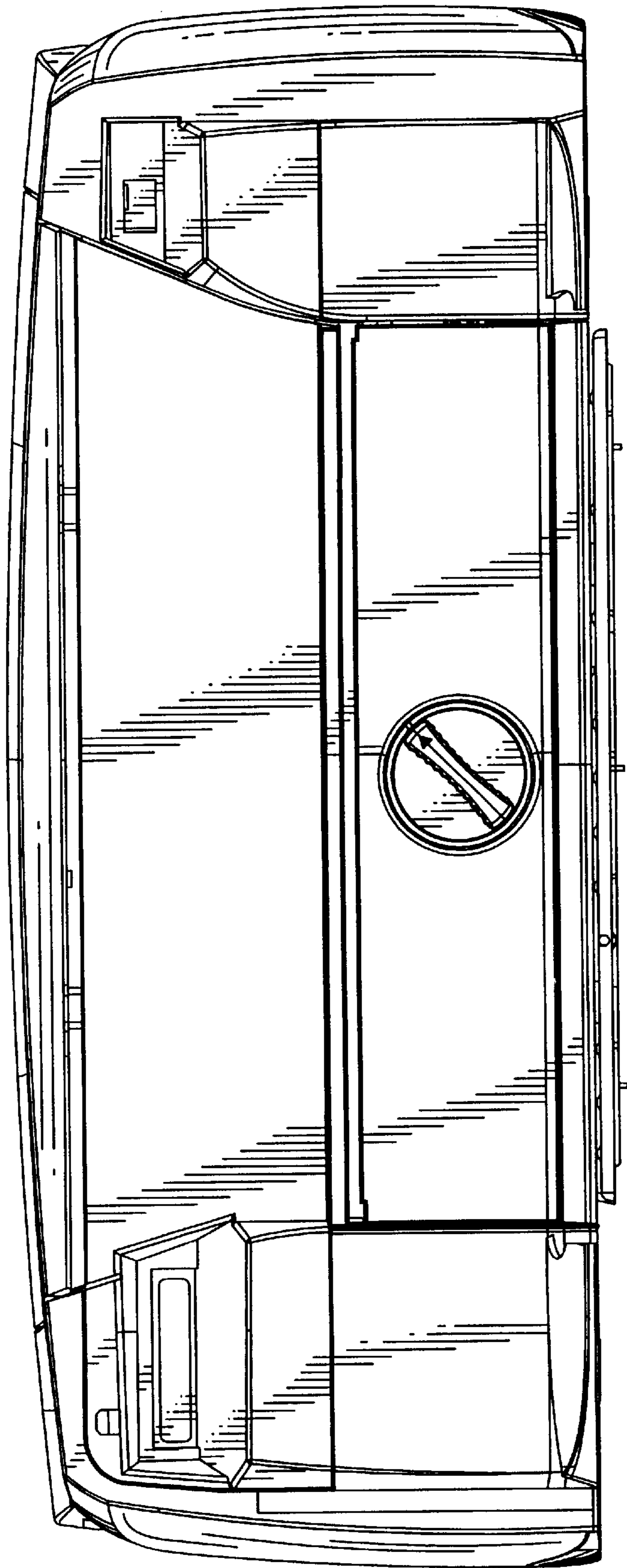


Figure 3

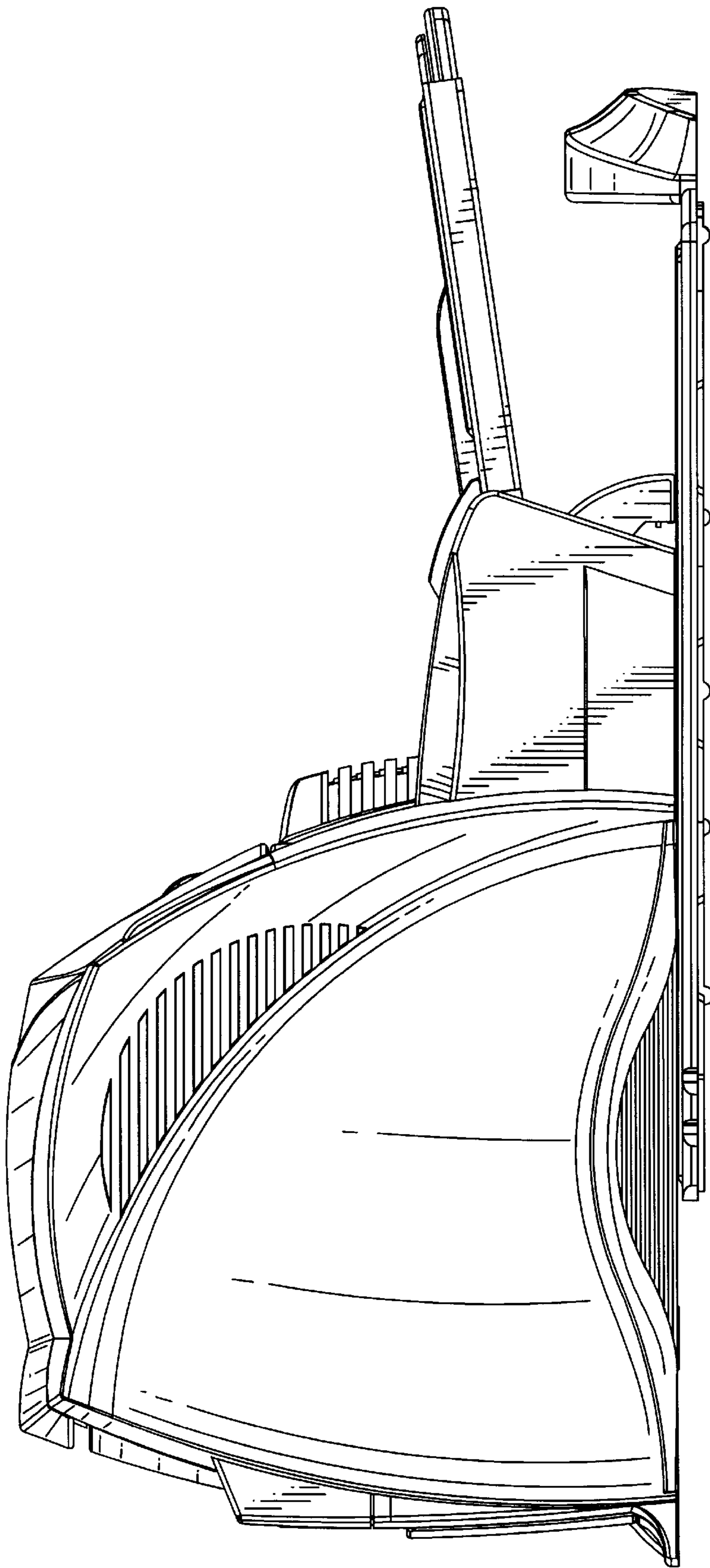


Figure 4

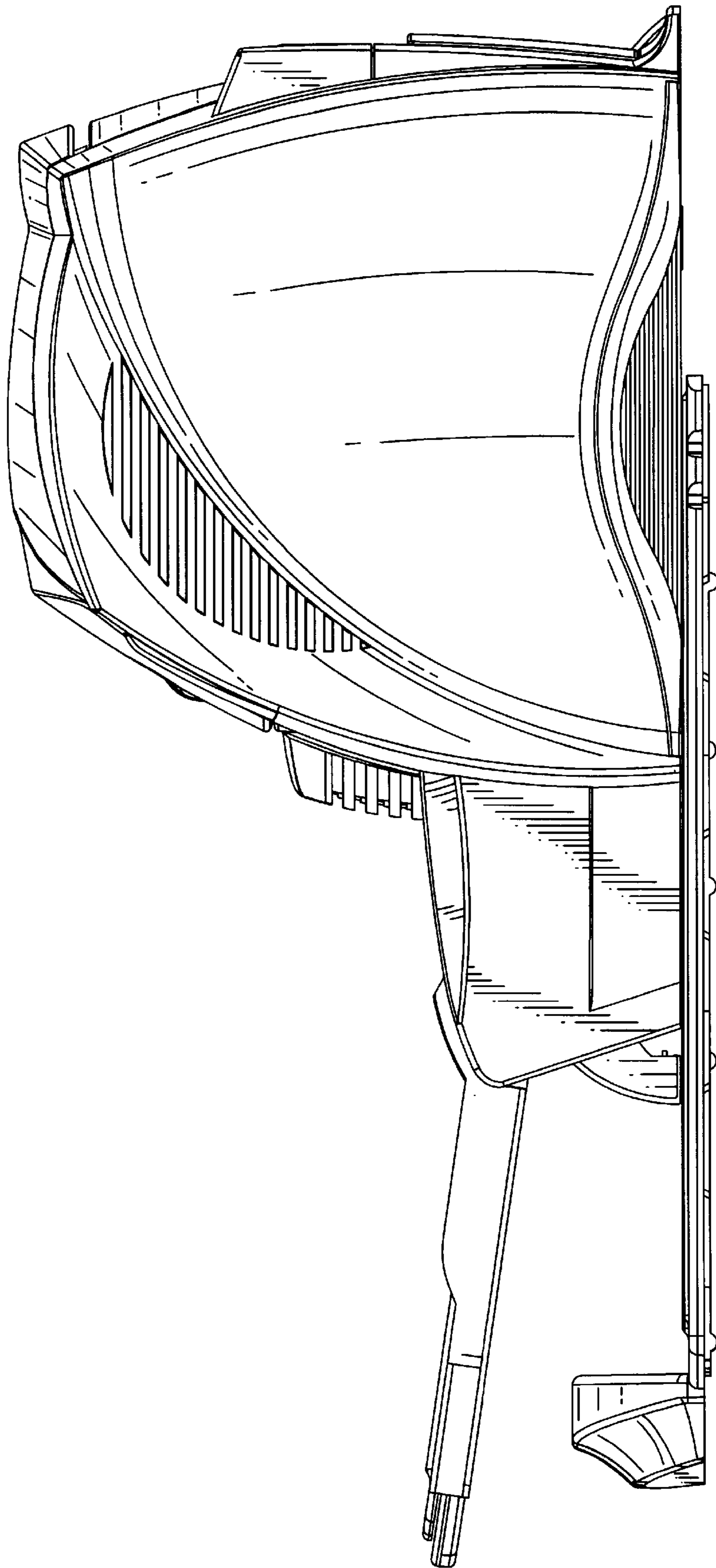


Figure 5

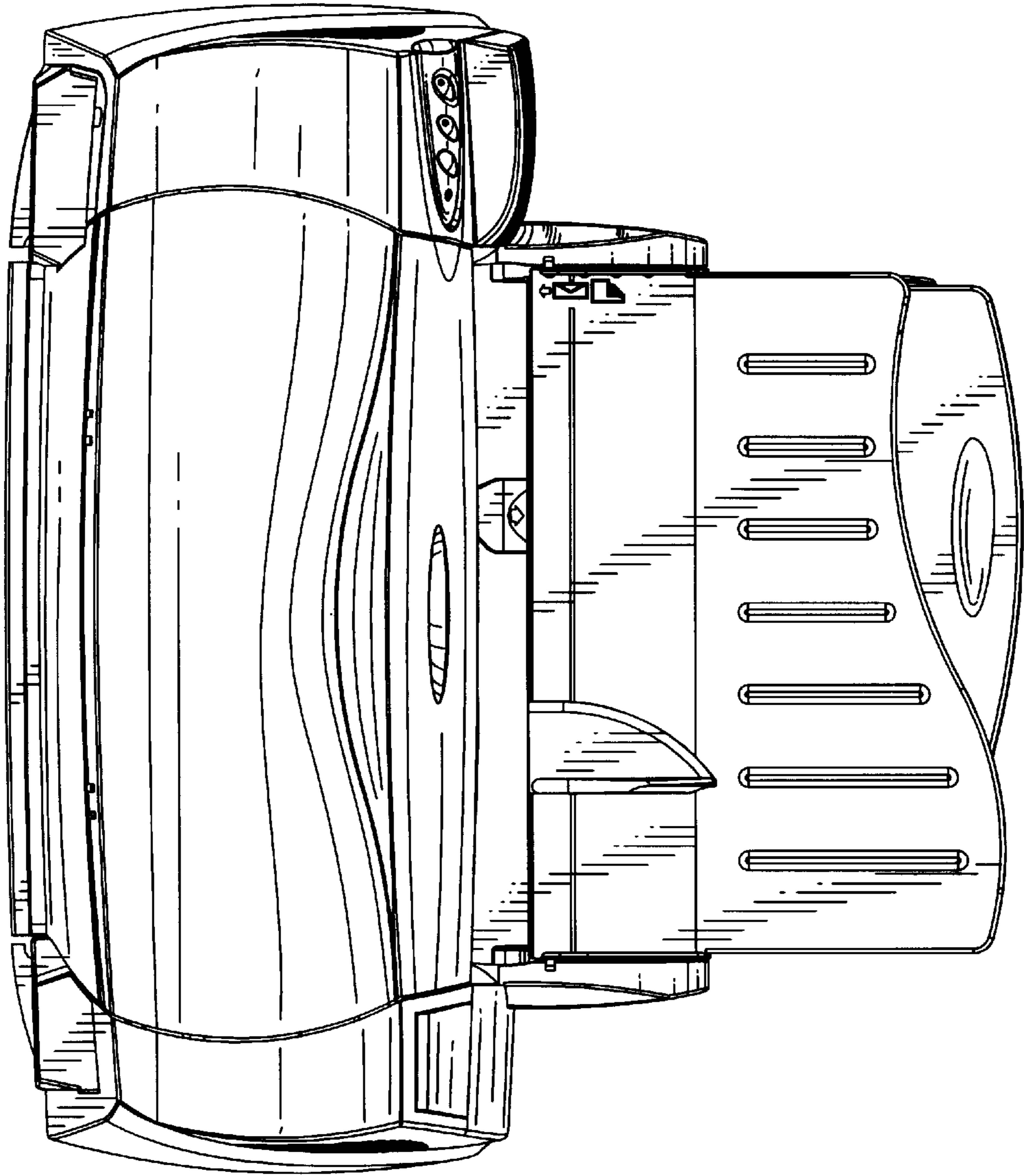


Figure 6

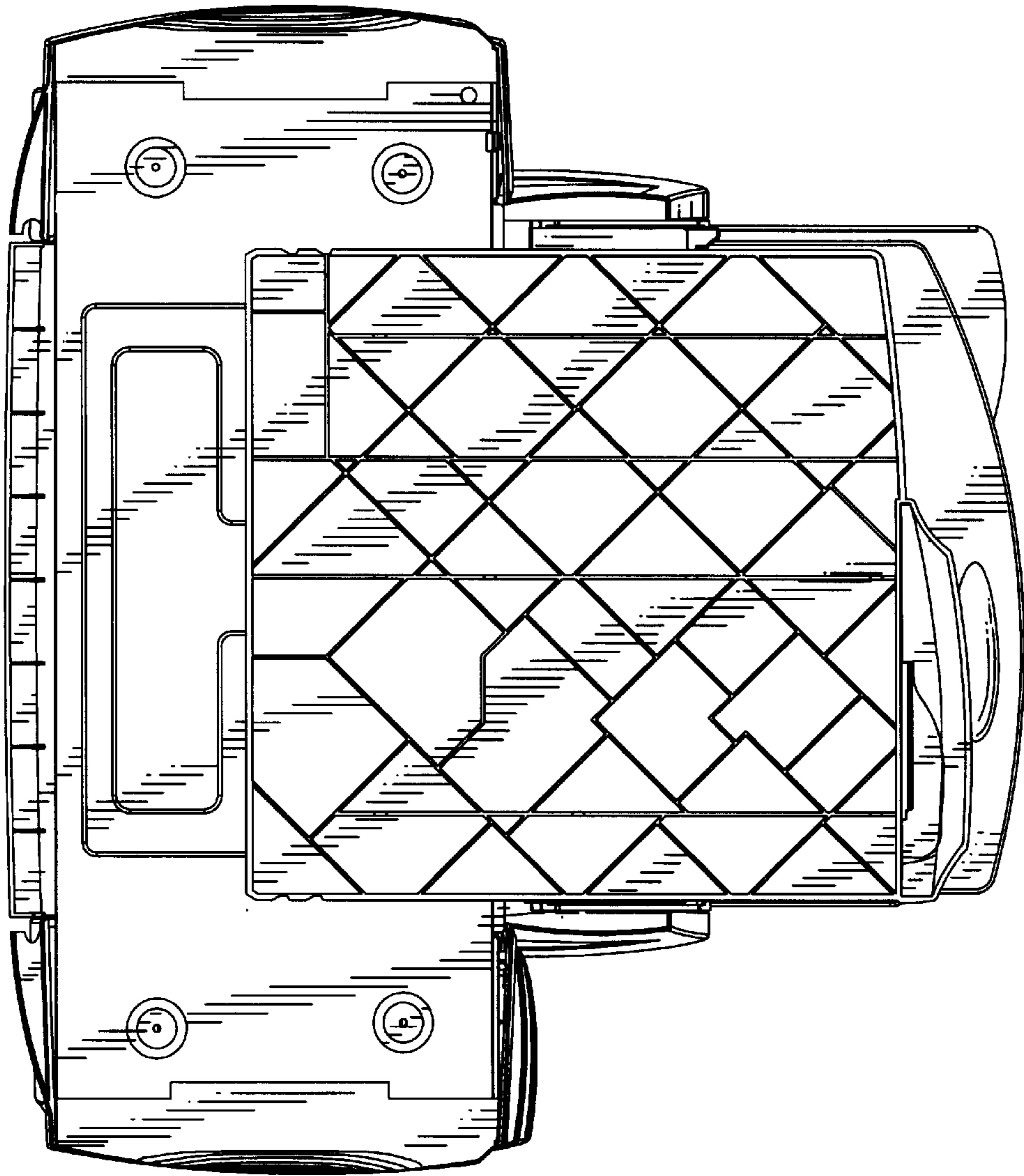


Figure 7