



US00D435263S

United States Patent [19]

Kato

[11] Patent Number: **Des. 435,263**

[45] Date of Patent: **** Dec. 19, 2000**

[54] **ELECTRIC STILL CAMERA WITH PRINTER**

[75] Inventor: **Akira Kato**, Chofu, Japan

[73] Assignee: **Chinon Kabushiki Kaisha**, Japan

[**] Term: **14 Years**

[21] Appl. No.: **29/119,183**

[22] Filed: **Feb. 25, 2000**

[30] Foreign Application Priority Data

Sep. 2, 1999 [JP] Japan 11-23736

[51] **LOC (7) Cl.** **16-01**

[52] **U.S. Cl.** **D16/208; D16/202; D18/14**

[58] **Field of Search** D16/200-206,
D16/208, 209, 217, 218; D18/14, 54; 358/906,
909.1; 396/535-541

[56] References Cited

U.S. PATENT DOCUMENTS

D. 388,449 12/1997 Ohi et al. D16/202

D. 417,683 12/1999 Miyashita D16/202

D. 422,611	4/2000	Katayama et al.	D16/202
D. 424,084	5/2000	Senda	D16/202
D. 424,085	5/2000	Naito	D16/202
5,875,034	2/1999	Shintani et al.	358/906

Primary Examiner—Adir Aronovich
Attorney, Agent, or Firm—Morrison Law Firm

[57] CLAIM

The ornamental design for an electric still camera with printer, as shown and described.

DESCRIPTION

FIG. 1 is a front perspective view of an electronic still camera with printer showing my design; FIG. 2 is a rear perspective view thereof; FIG. 3 is a front elevational view thereof; FIG. 4 is a rear elevational view thereof; FIG. 5 is a top plan view thereof; FIG. 6 is a bottom plan view thereof; FIG. 7 is a left side elevational view thereof; FIG. 8 is a right side elevational view thereof; and, FIG. 9 is a rear perspective view for reference when loaded with a tray for image receiving papers.

1 Claim, 6 Drawing Sheets

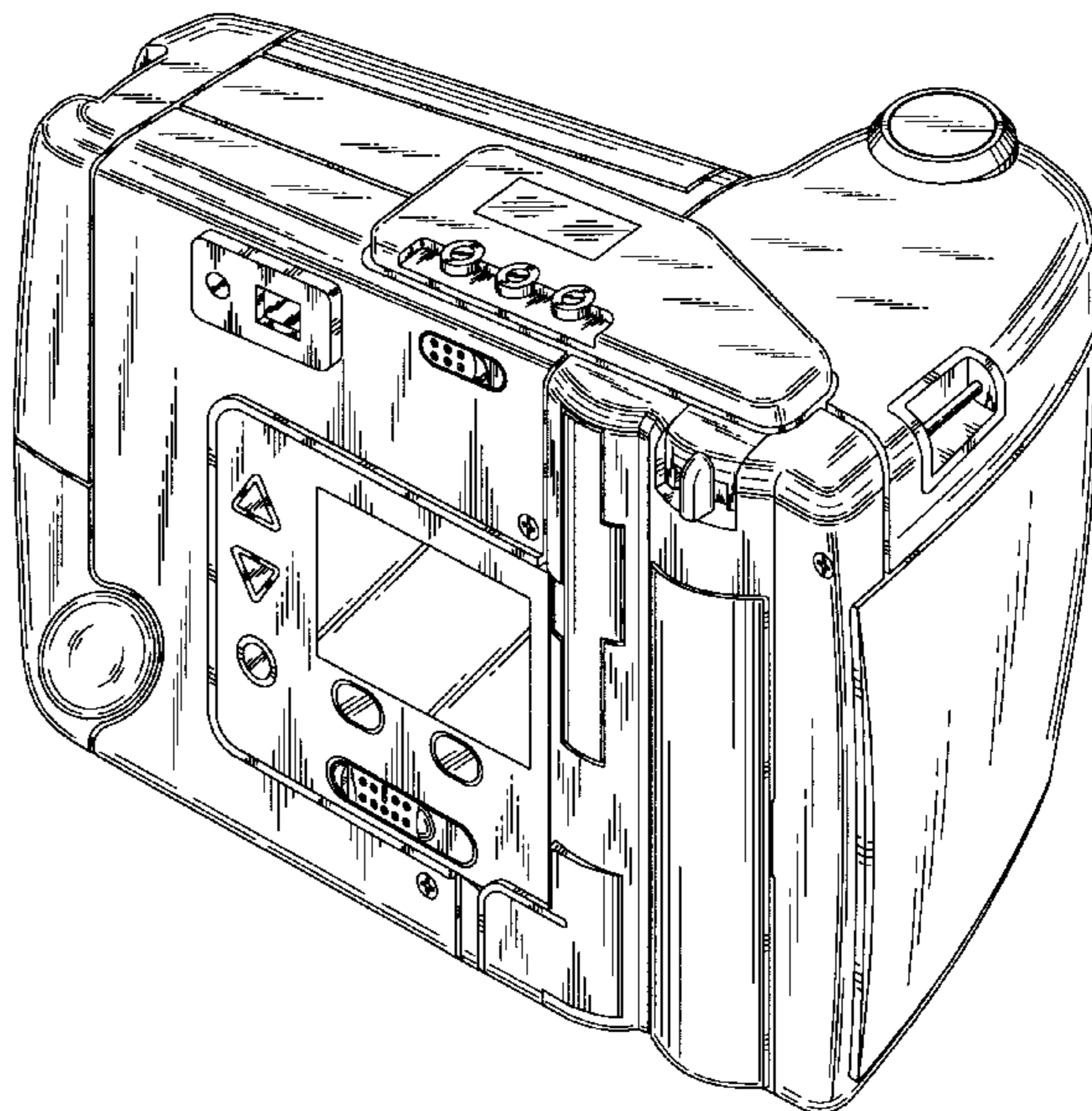
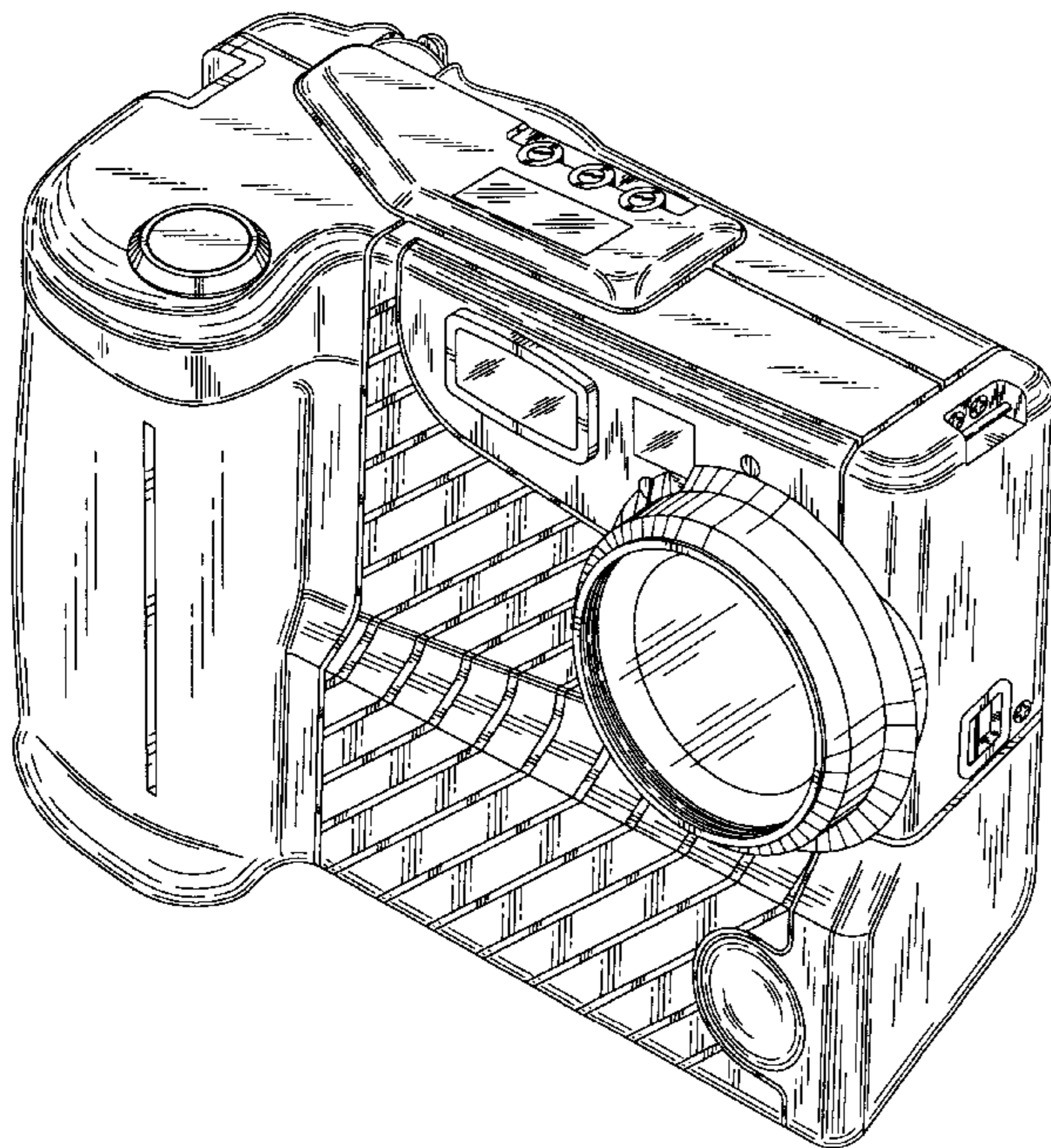


FIG. 1

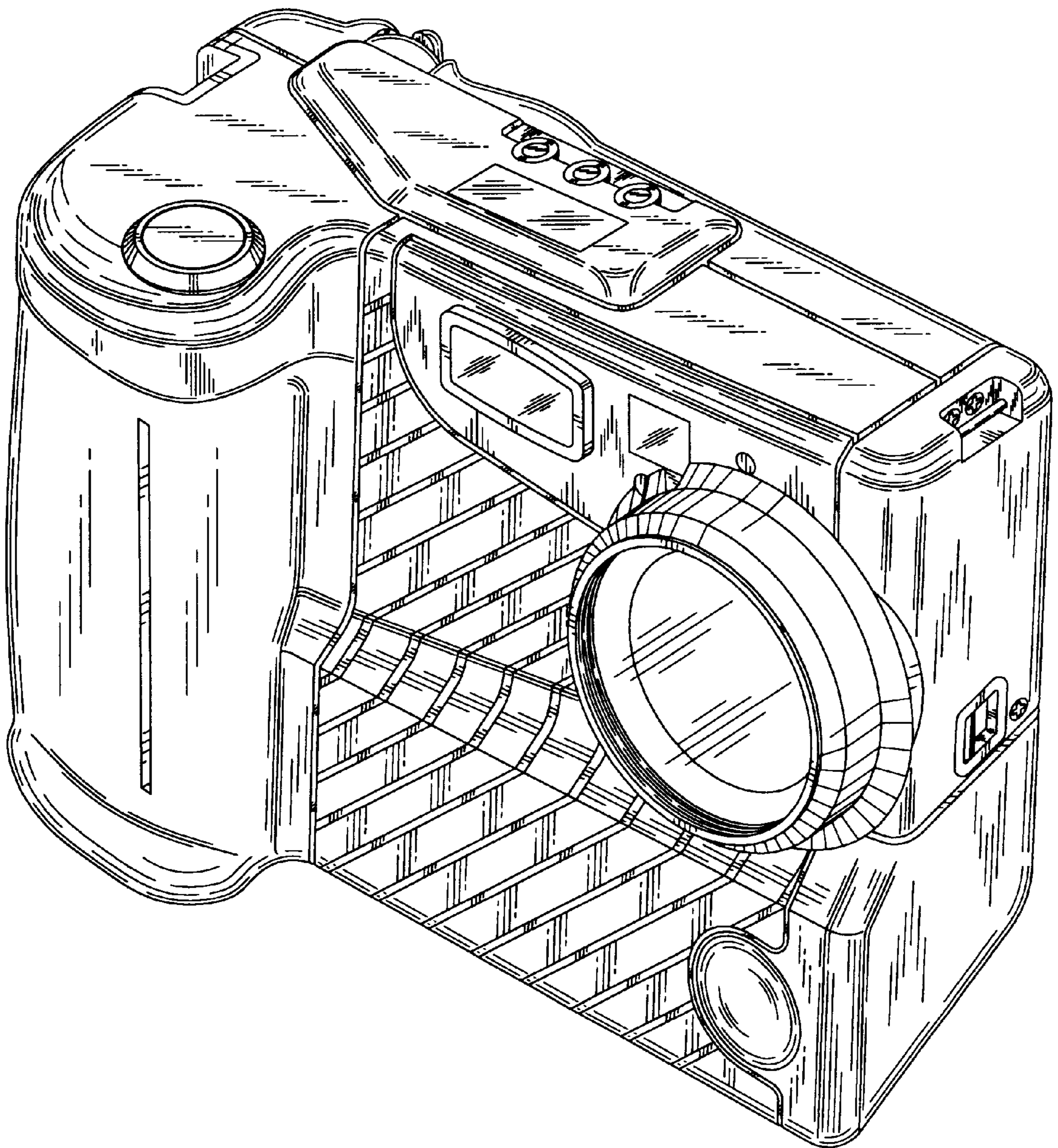


FIG. 2

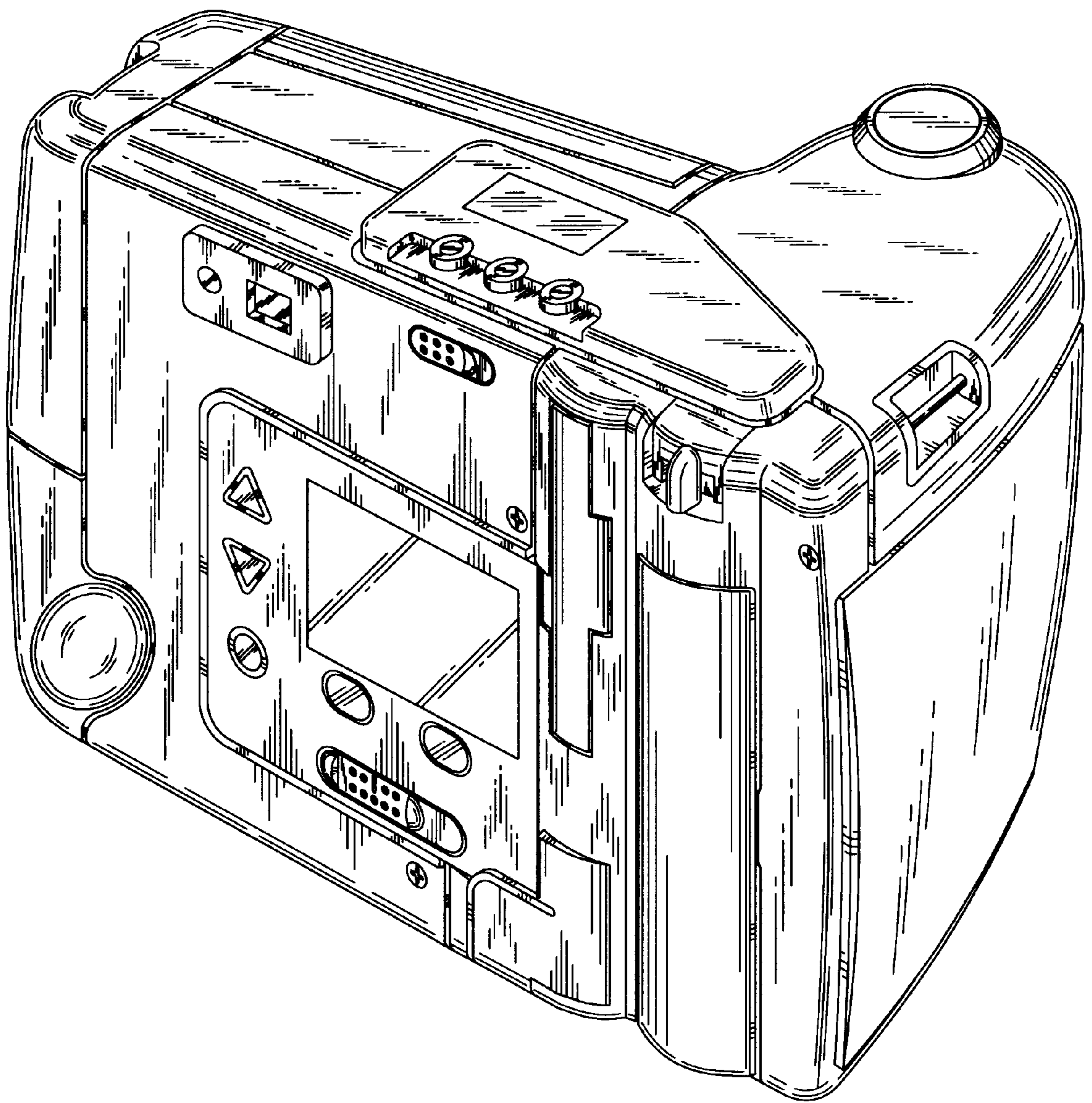


FIG. 3

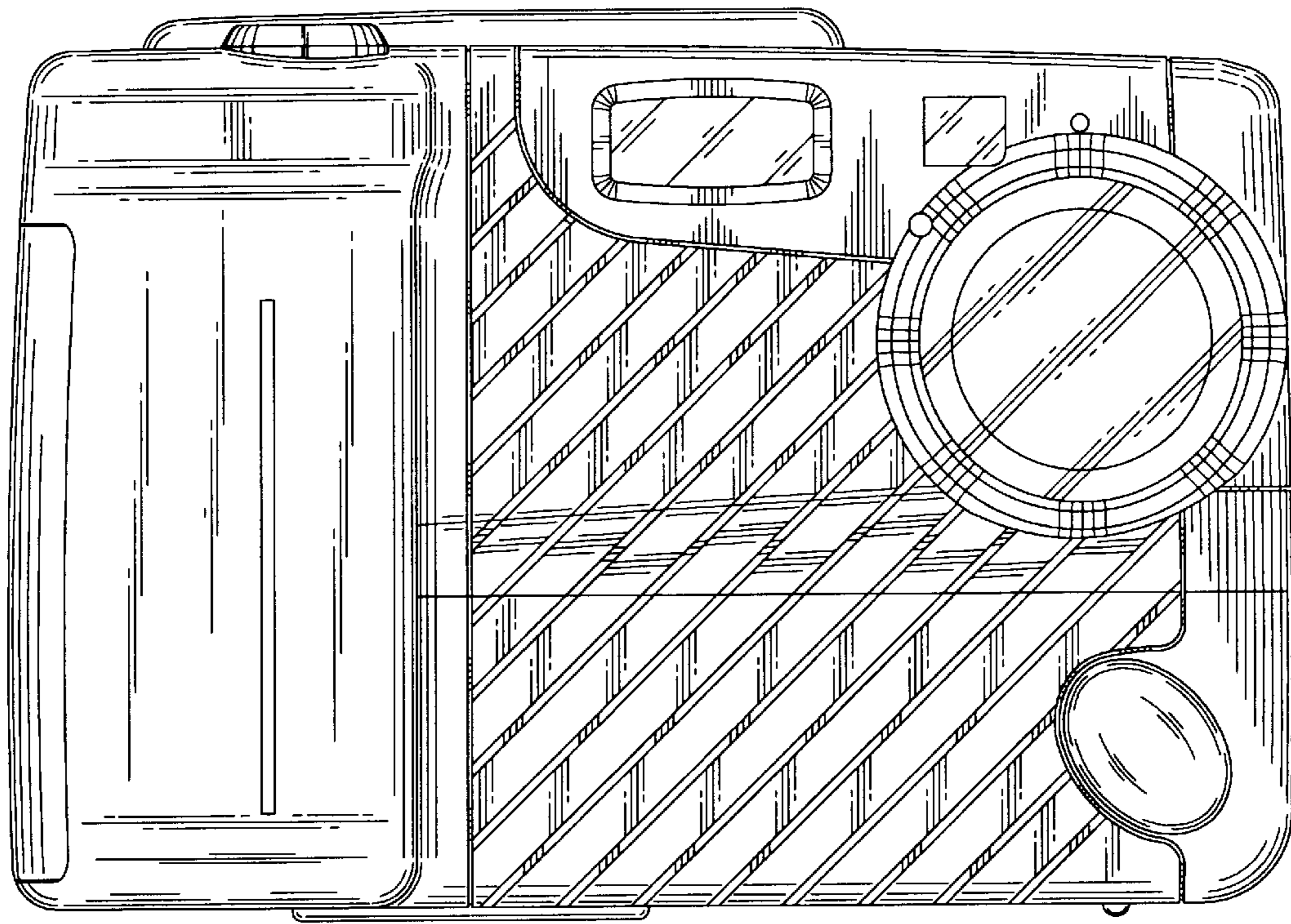


FIG. 4

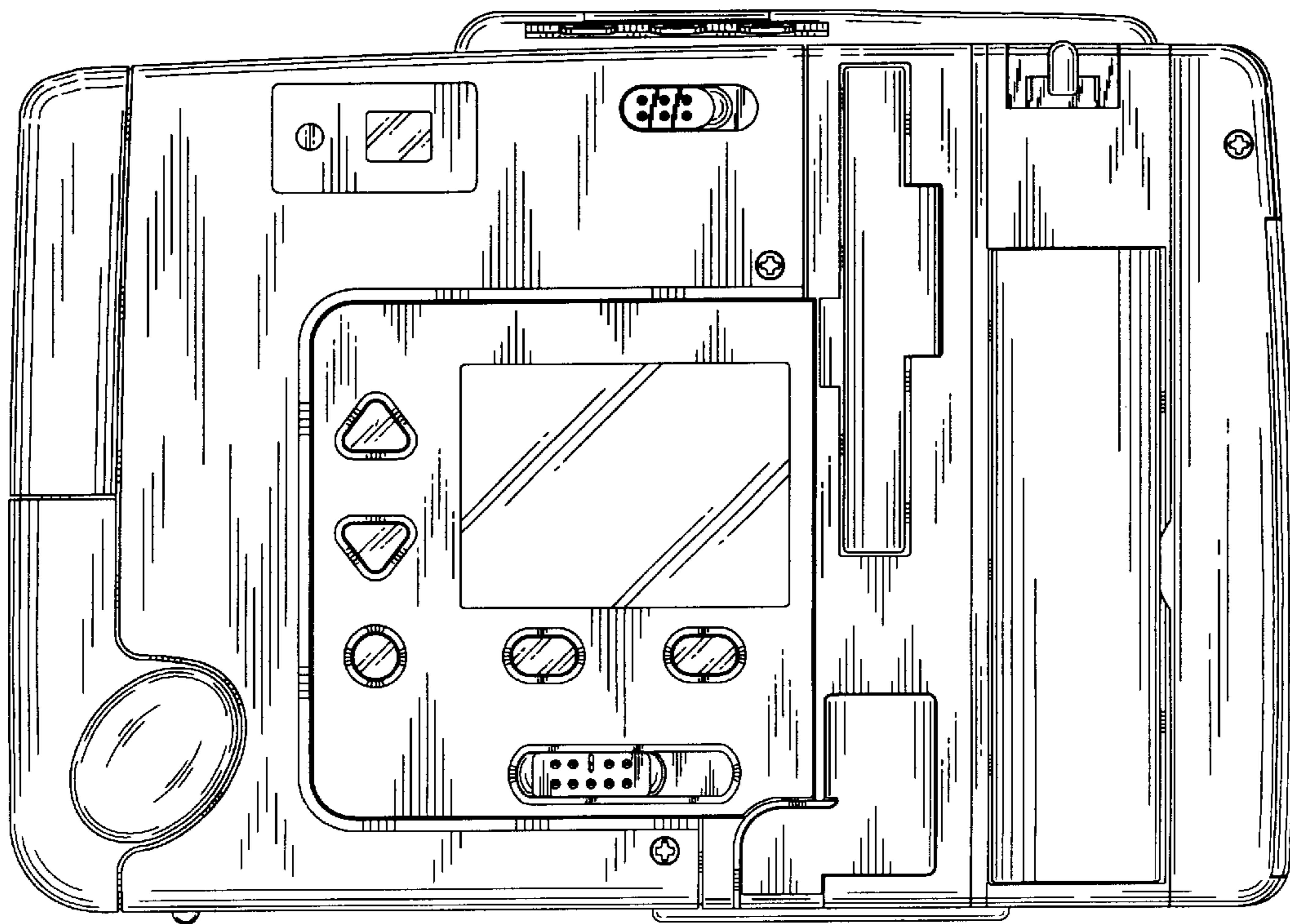


FIG. 5

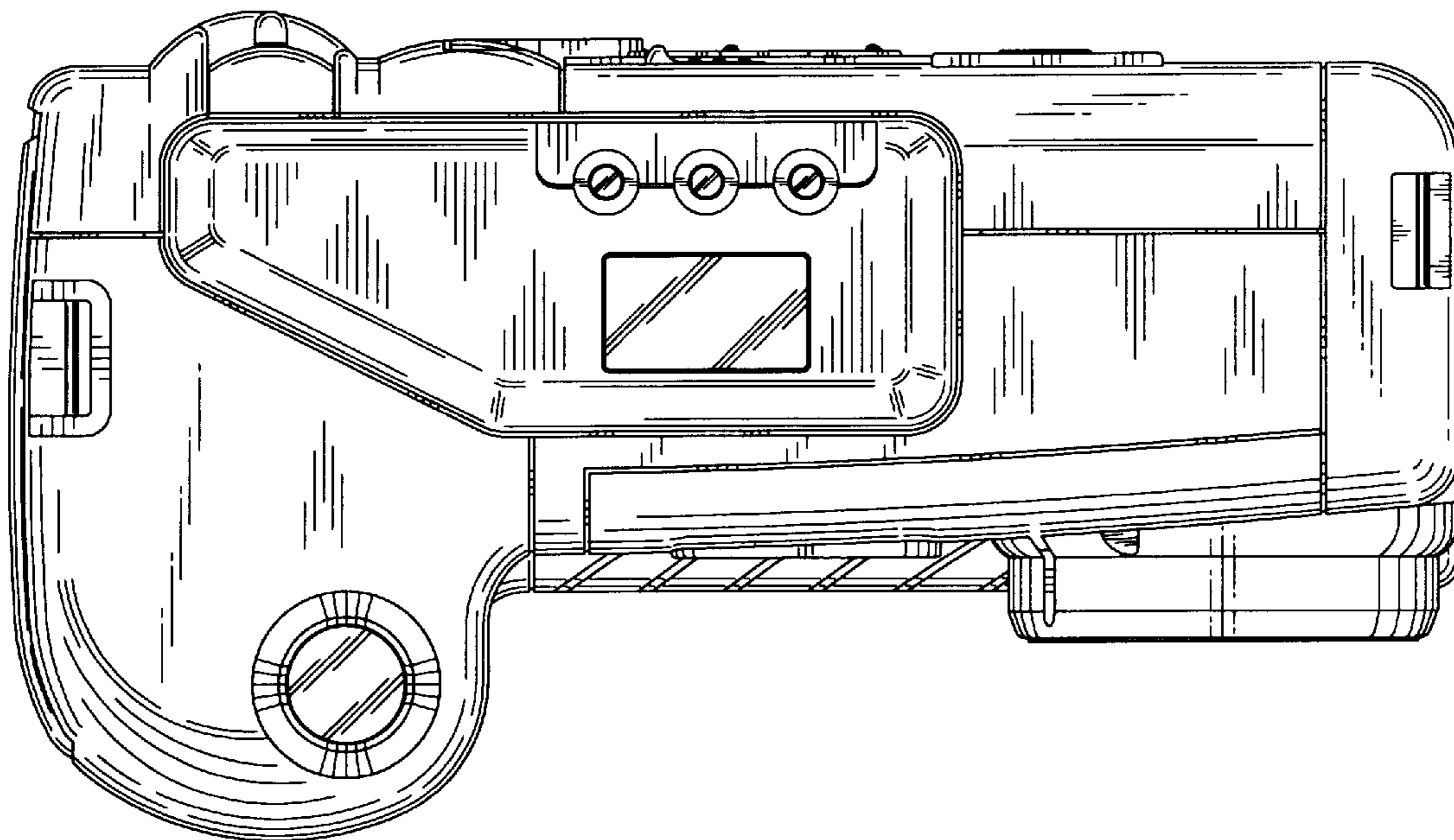


FIG. 6

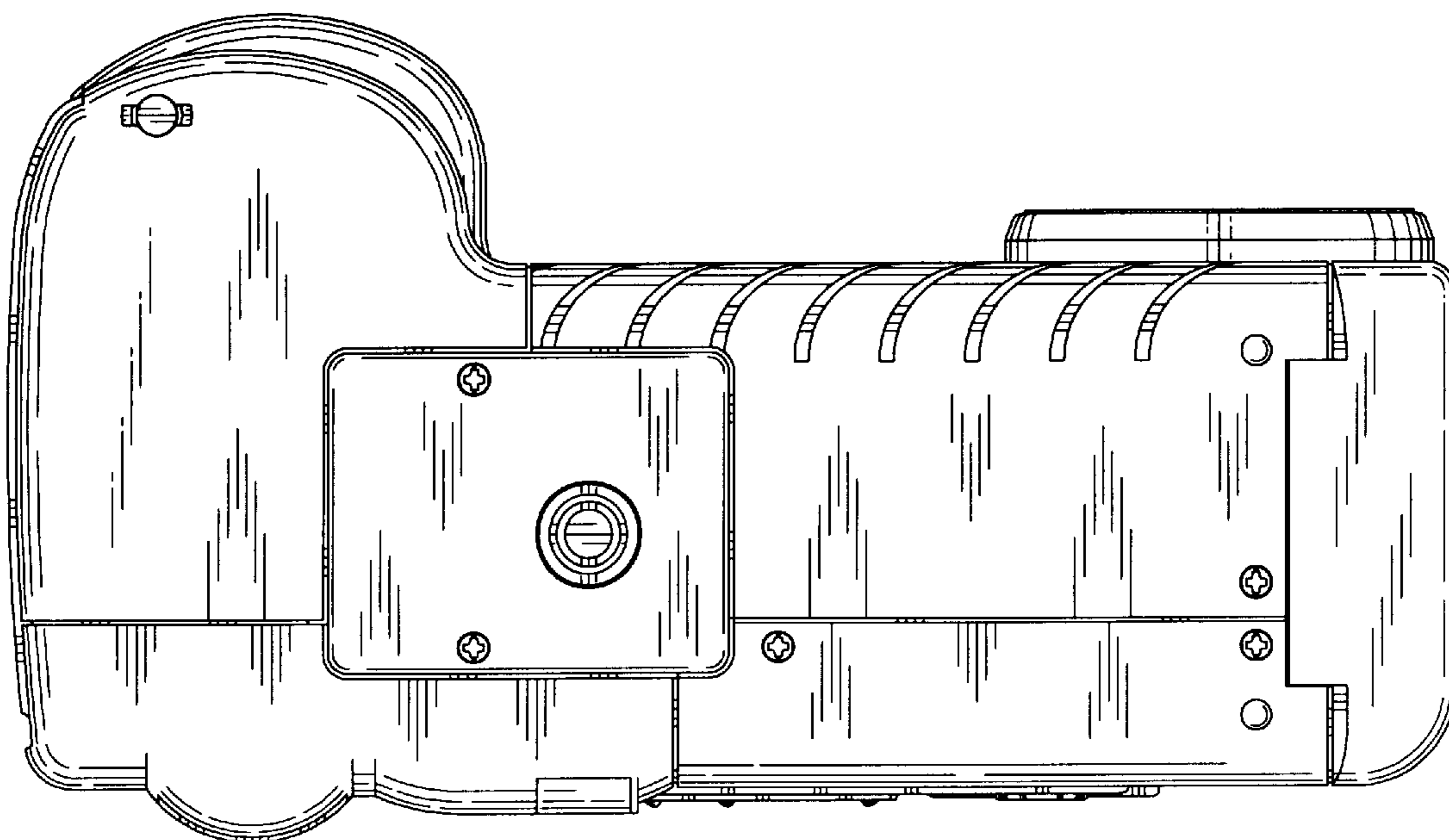


FIG. 7

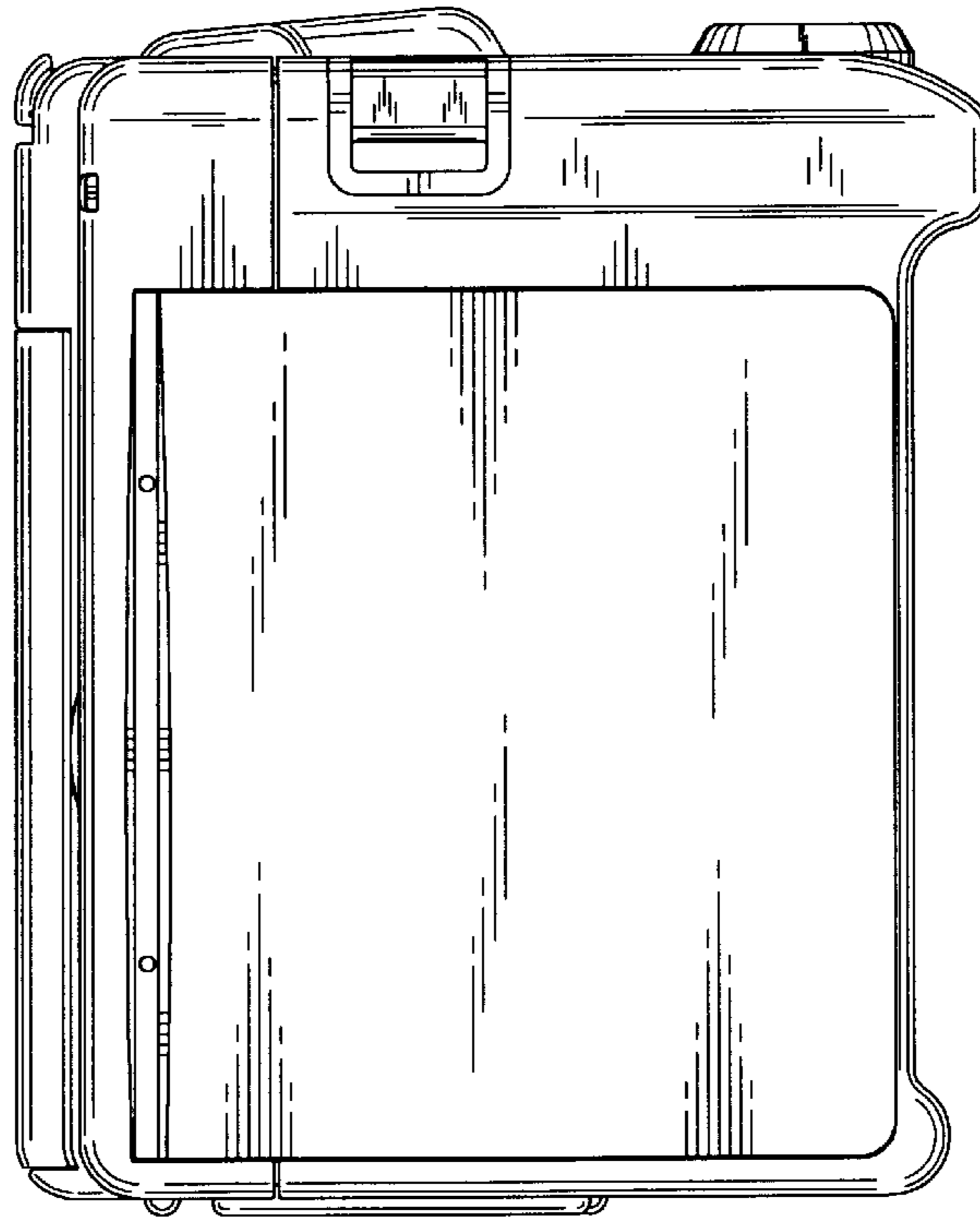


FIG. 8

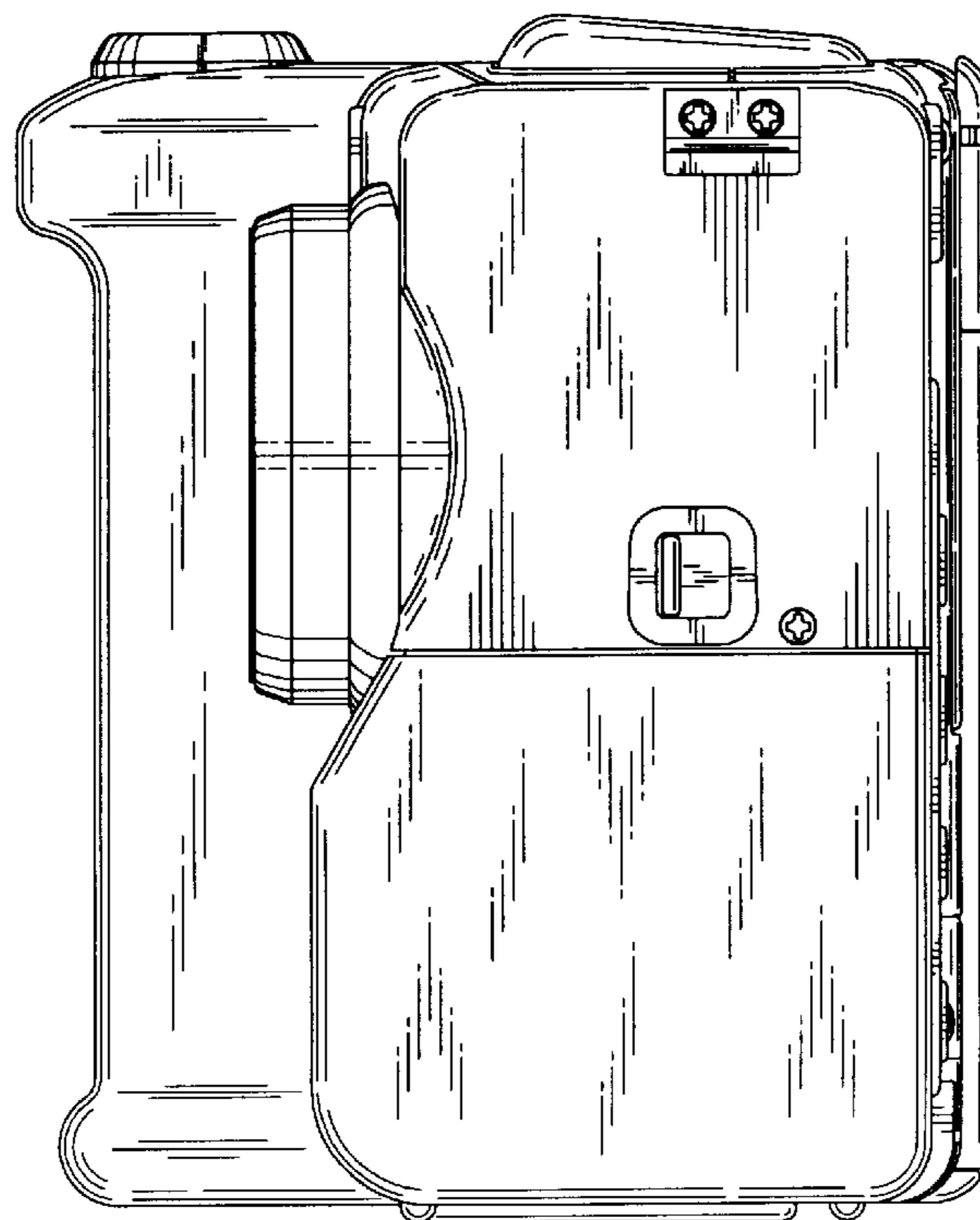


FIG. 9

