



US00D435262S

United States Patent [19] Maeyama

[11] **Patent Number: Des. 435,262**

[45] **Date of Patent: ** Dec. 19, 2000**

[54] **COMBINED VIDEO TAPE RECORDER AND CAMERA**

5,499,052 3/1996 Nakanishi et al. 348/373

[75] Inventor: **Kouichi Maeyama**, Tokyo, Japan

[73] Assignee: **Sony Corporation**, Japan

[**] Term: **14 Years**

[21] Appl. No.: **29/107,263**

[22] Filed: **Jun. 28, 1999**

[30] **Foreign Application Priority Data**

Dec. 28, 1998 [JP] Japan 10-37556

[51] **LOC (7) Cl.** **16-01**

[52] **U.S. Cl.** **D16/202**

[58] **Field of Search** D16/200-208;
348/373-376; 352/242, 243; 358/906; 396/535-541

[56] **References Cited**

U.S. PATENT DOCUMENTS

D. 375,107	10/1996	Ishii	D16/202
D. 384,085	9/1997	Harata	D16/202
D. 385,568	10/1997	Harata	D16/202
D. 400,900	11/1998	Harata	D16/202
D. 401,256	11/1998	Harata	D16/202
D. 404,047	1/1999	Ishii	D16/202
D. 409,639	5/1999	Sumita	D16/202
D. 410,016	5/1999	Maeyama	D16/202
D. 415,778	10/1999	Harata	D16/202
D. 416,928	11/1999	Sumita	D16/202

OTHER PUBLICATIONS

Sony Catalog "90" pp. 6 & 8.
Catalog, "87", pp. 6-9, Sony (Nov. 1997).

Primary Examiner—Adir Aronovich
Attorney, Agent, or Firm—Rader, Fishman & Grauer

[57] **CLAIM**

The ornamental design for a combined video tape recorder and camera, as shown and described.

DESCRIPTION

FIG. 1 is a top, front perspective view of a combined video tape recorder and camera showing my new design; FIG. 2 is a top, rear perspective view thereof, the viewing screen shown in an extending away position; FIG. 3 is a top, rear perspective view thereof, the viewing screen shown in the first alternate position; FIG. 4 is a top, rear perspective view thereof, the viewing screen shown in the second alternate position; FIG. 5 is a top, rear perspective view thereof, the viewing screen shown in the third alternate position; FIG. 6 is a top plan view thereof; FIG. 7 is a bottom plan view thereof; FIG. 8 is a left side elevational view thereof; FIG. 9 is a right side elevational view thereof; FIG. 10 is a front elevational view thereof; and, FIG. 11 is a rear elevational view thereof.

1 Claim, 8 Drawing Sheets

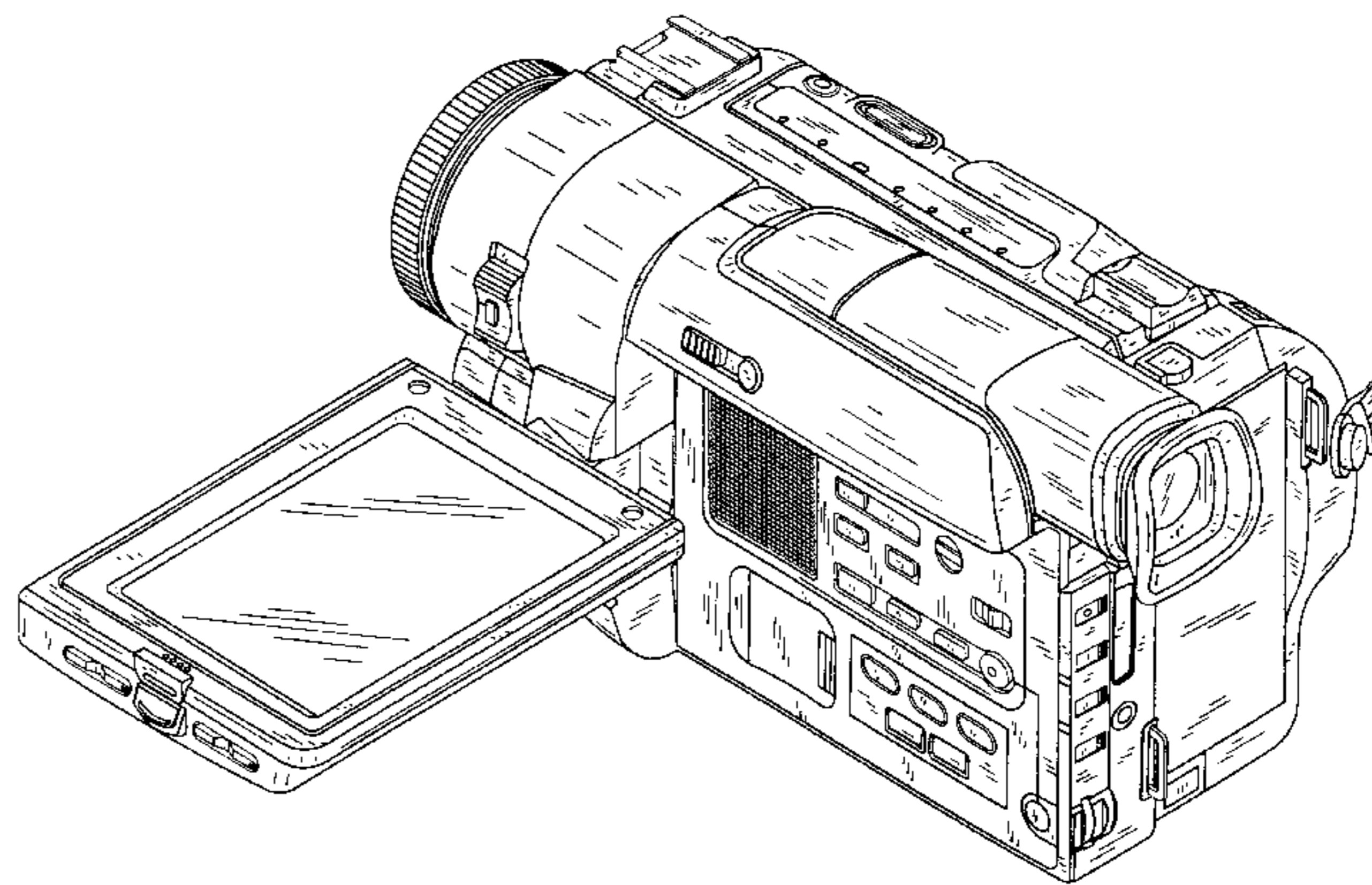
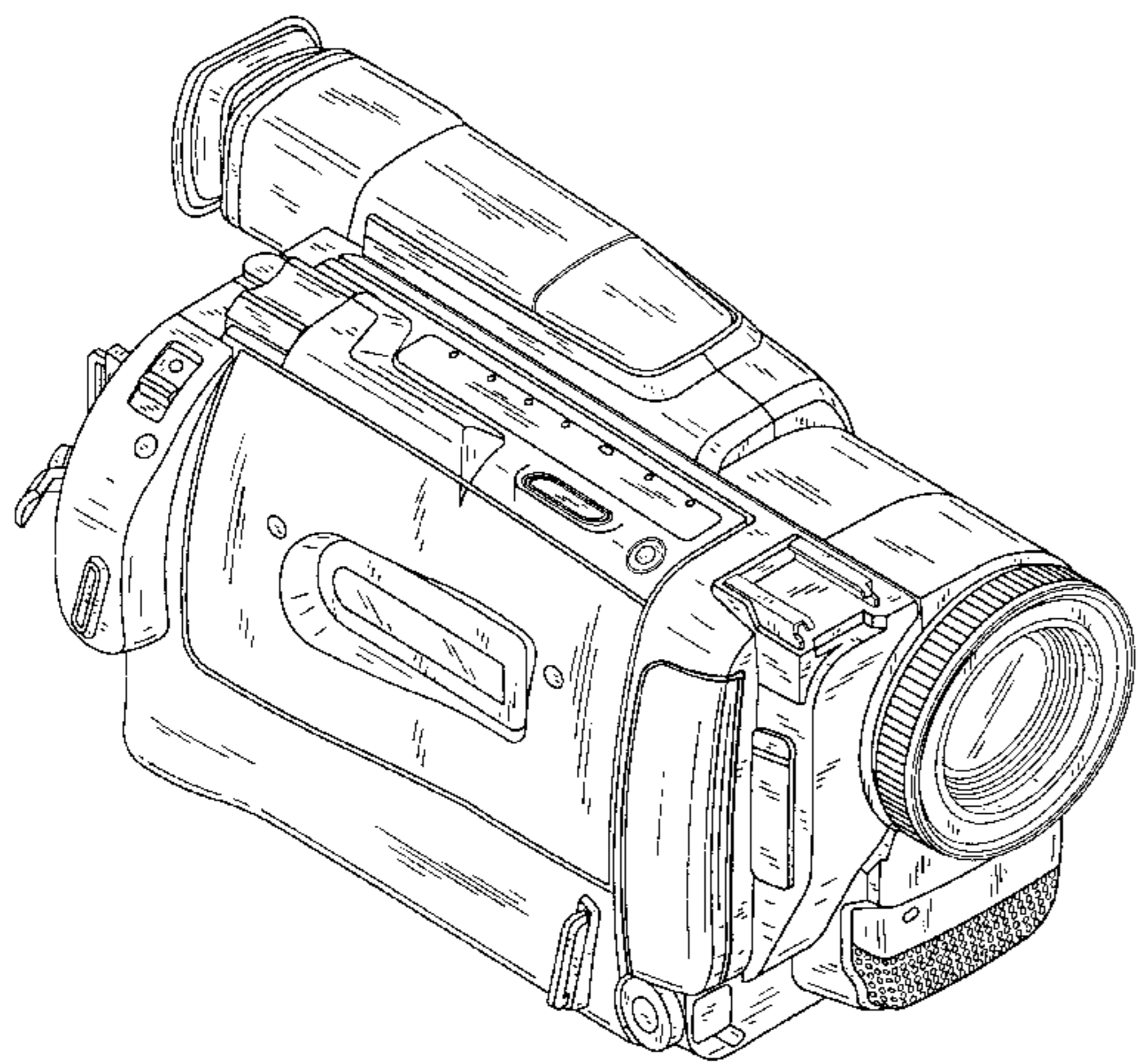


FIG. 1

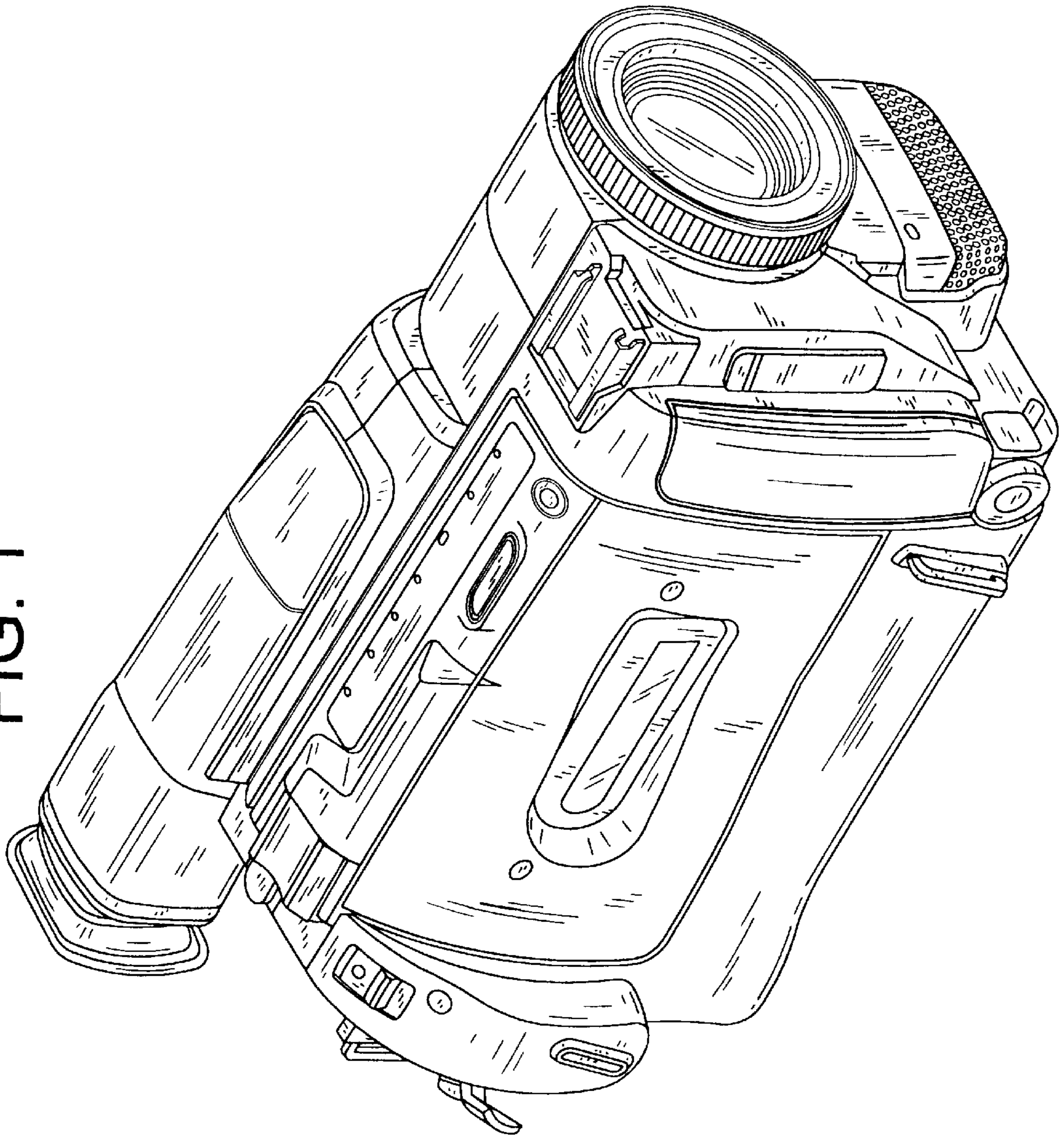


FIG. 2

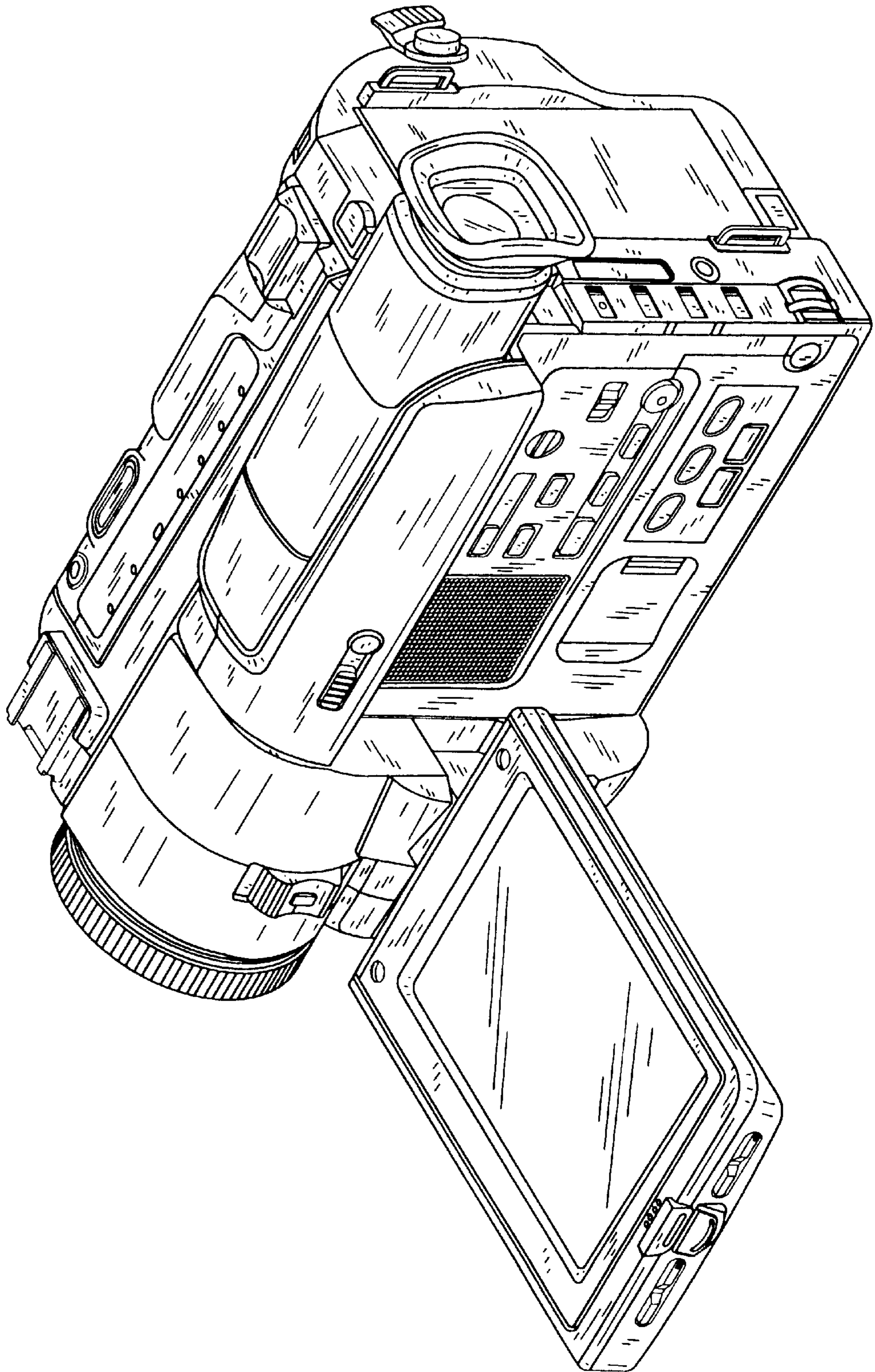


FIG. 3

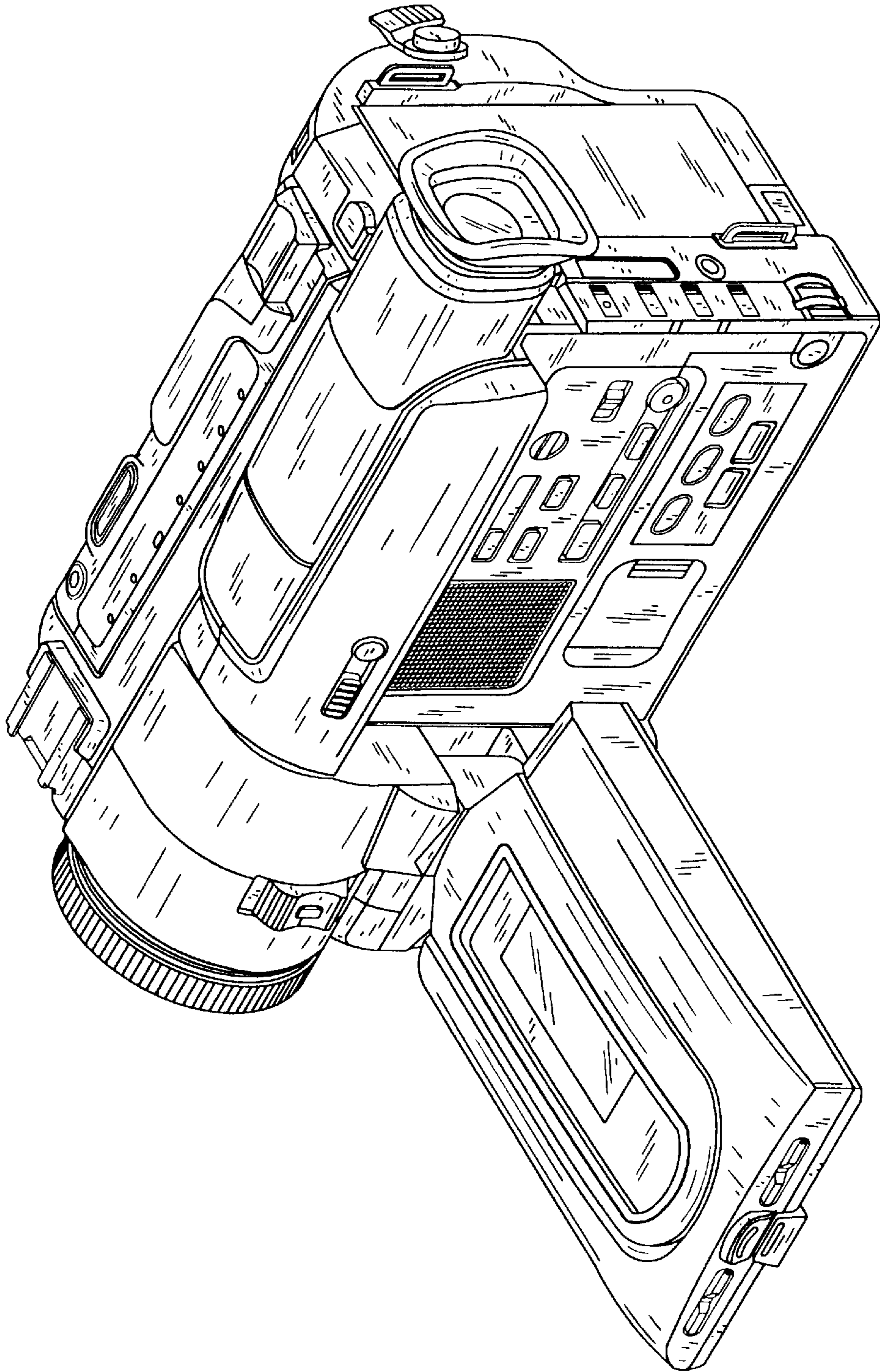


FIG. 4

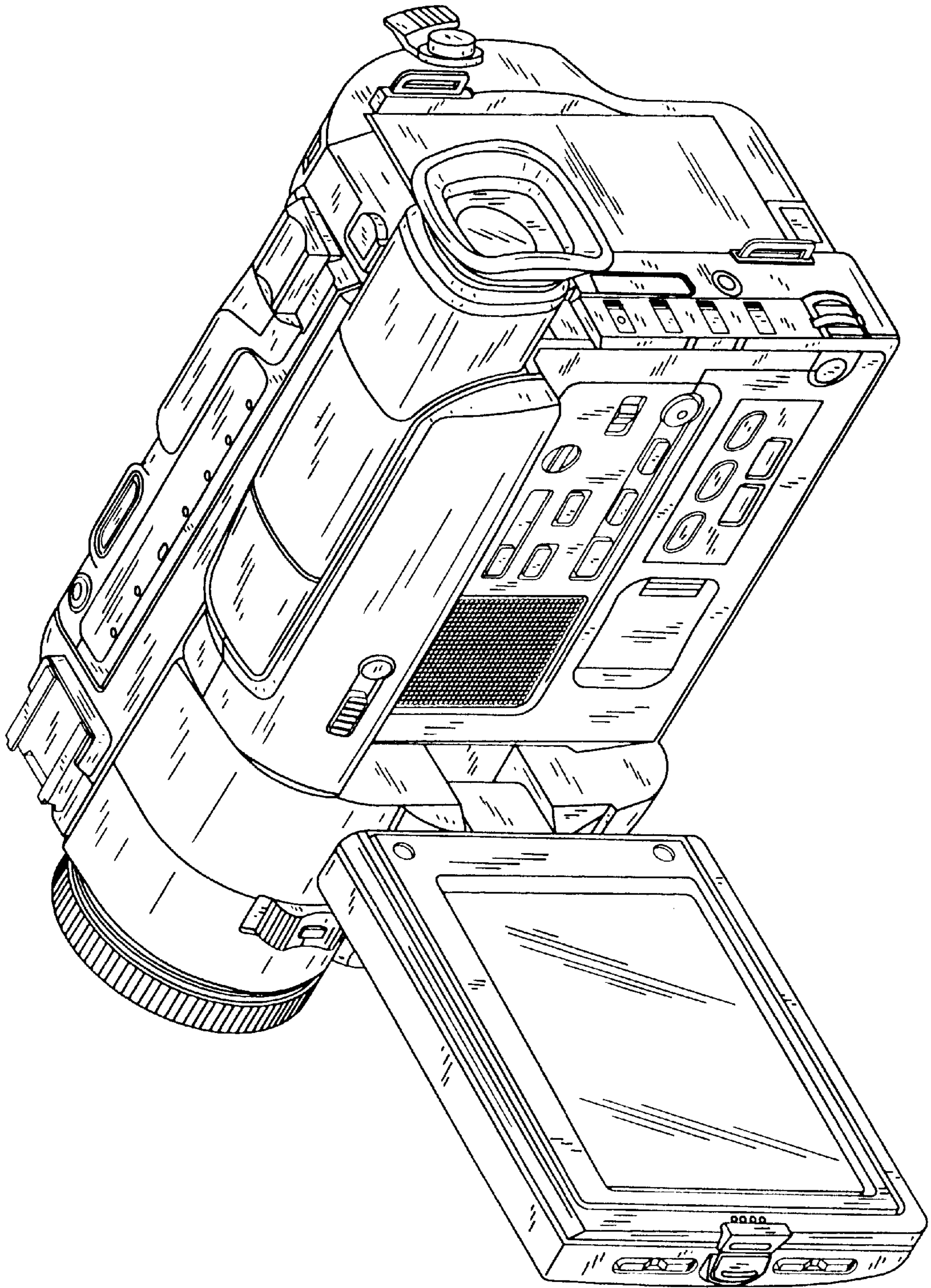


FIG. 5

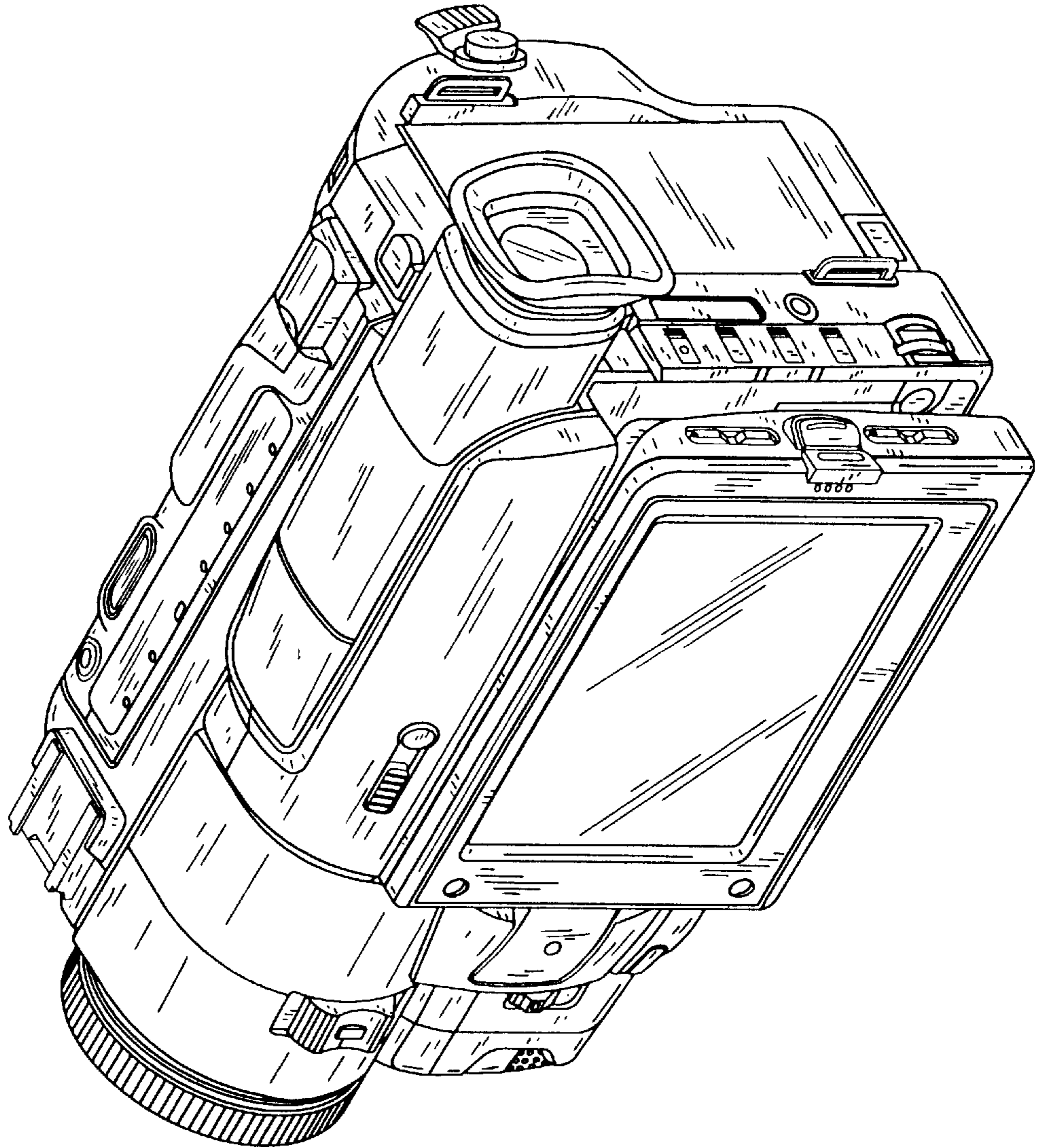


FIG. 7

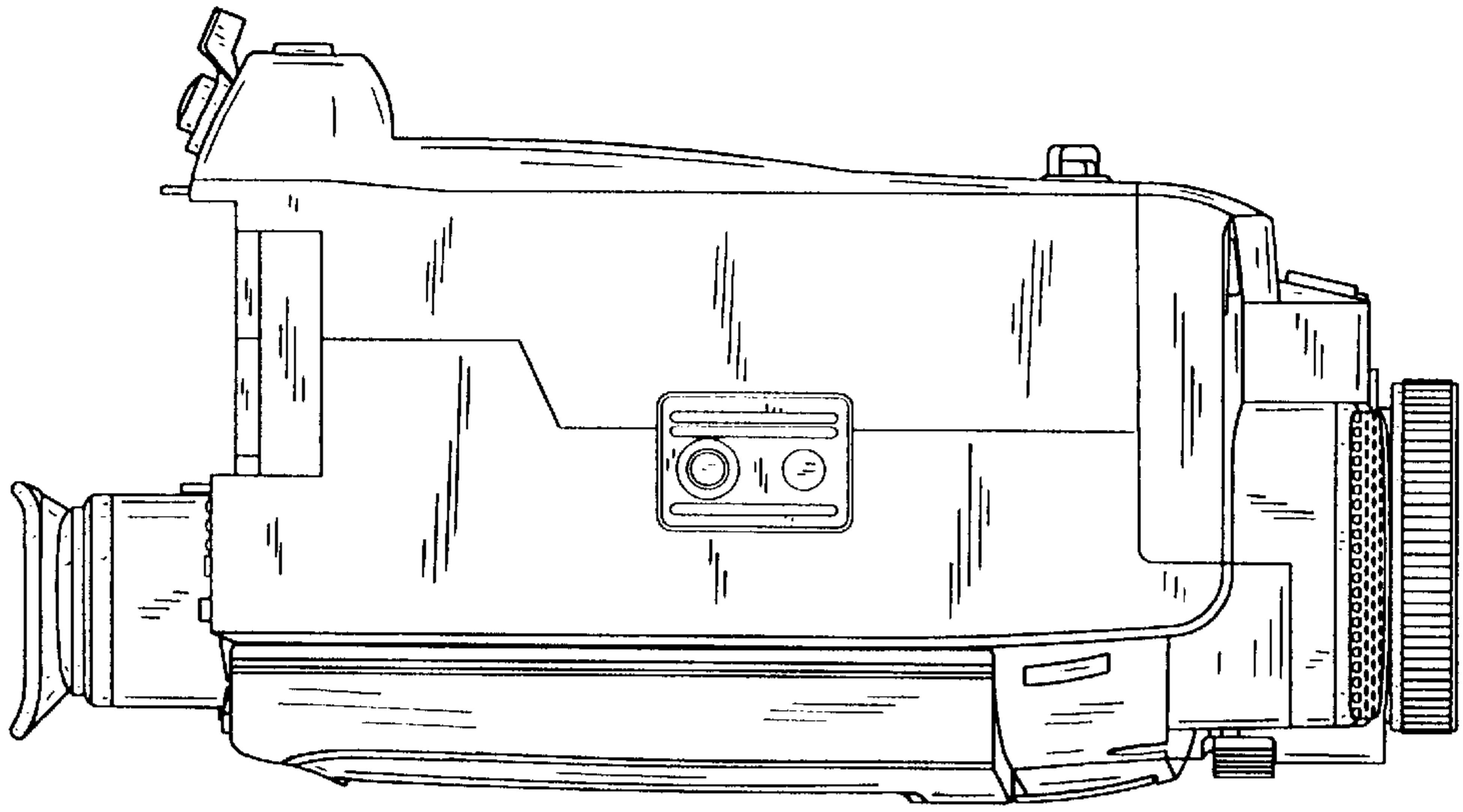


FIG. 6

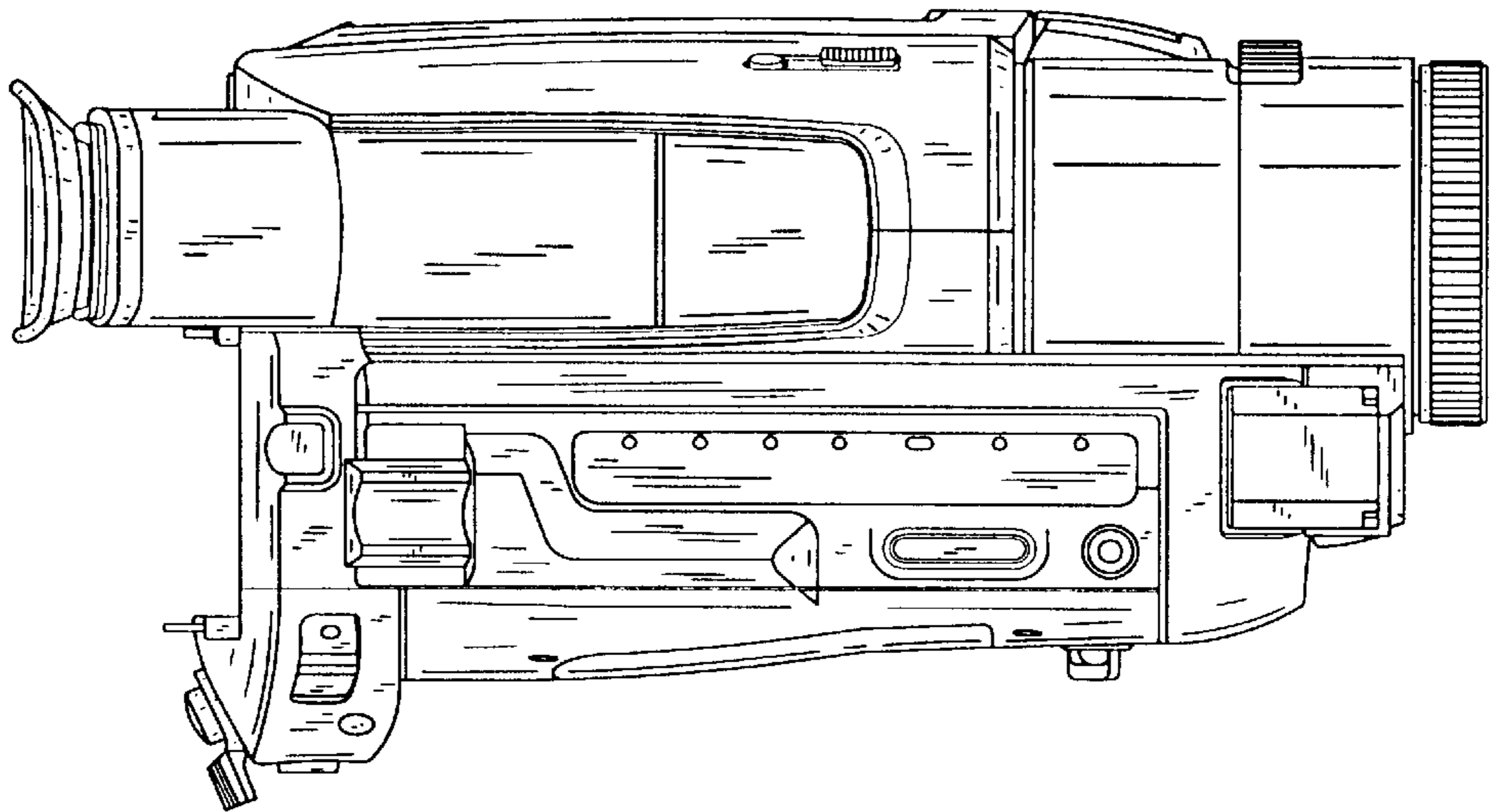


FIG. 8

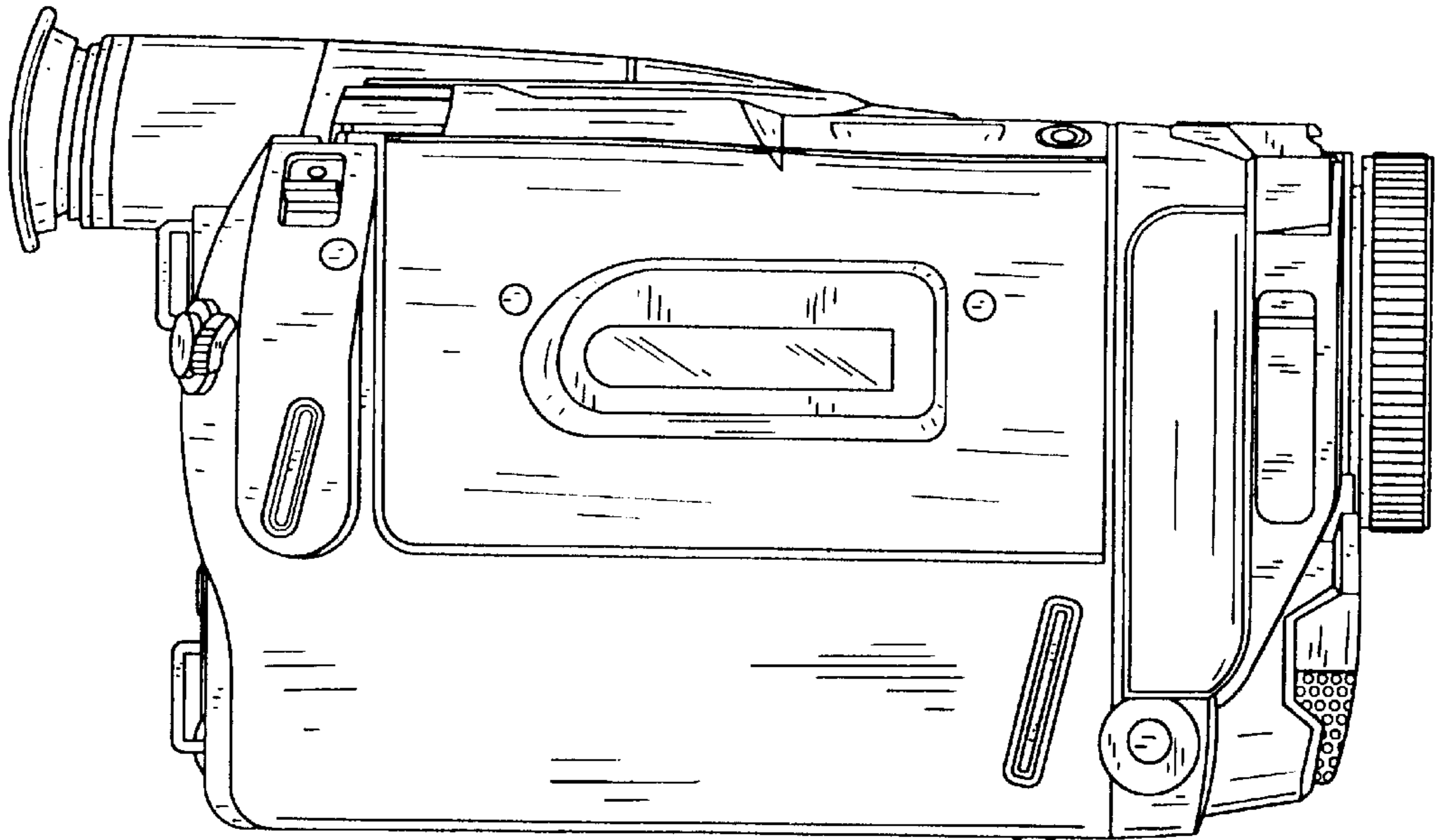


FIG. 9

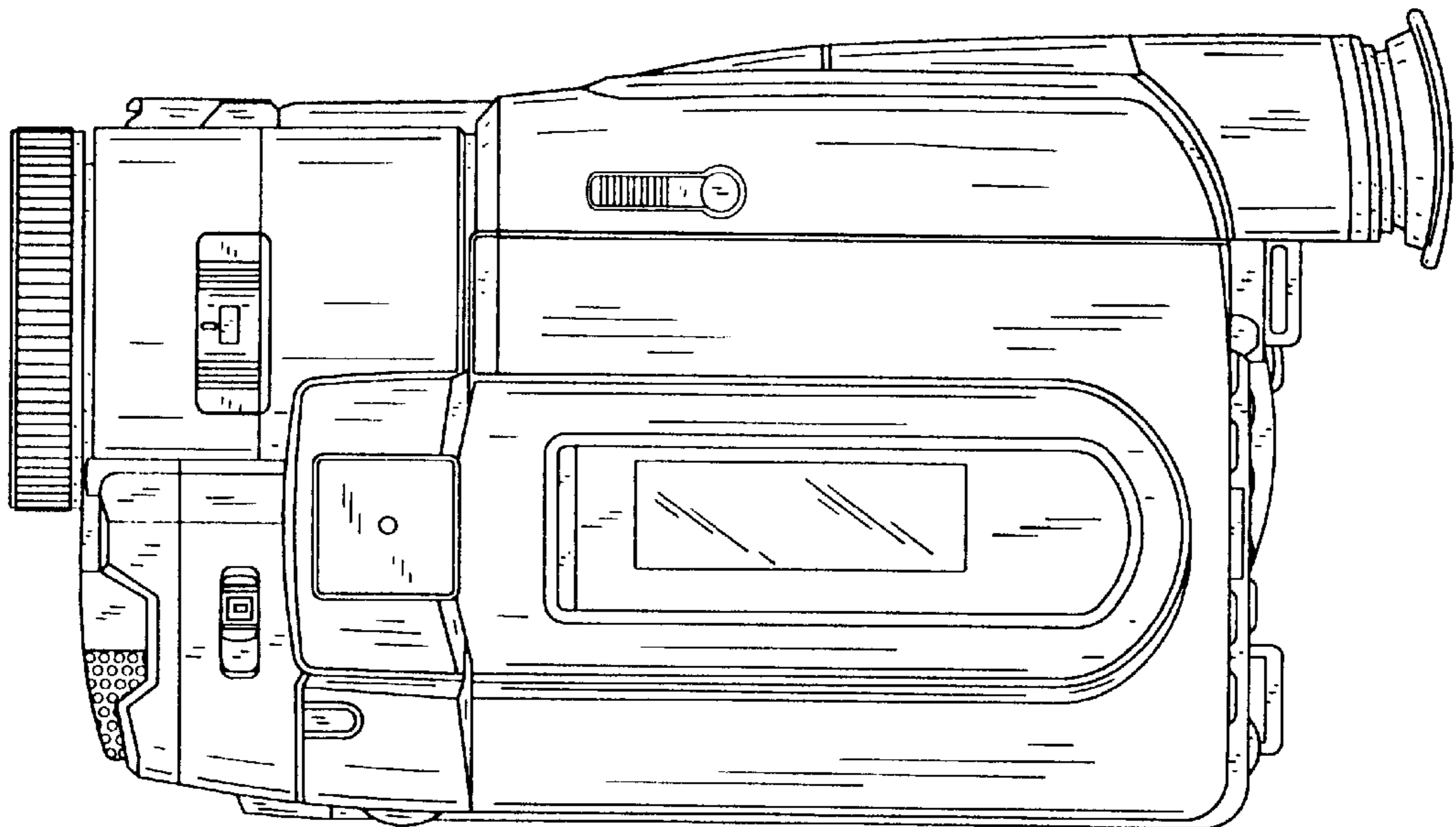


FIG. 11

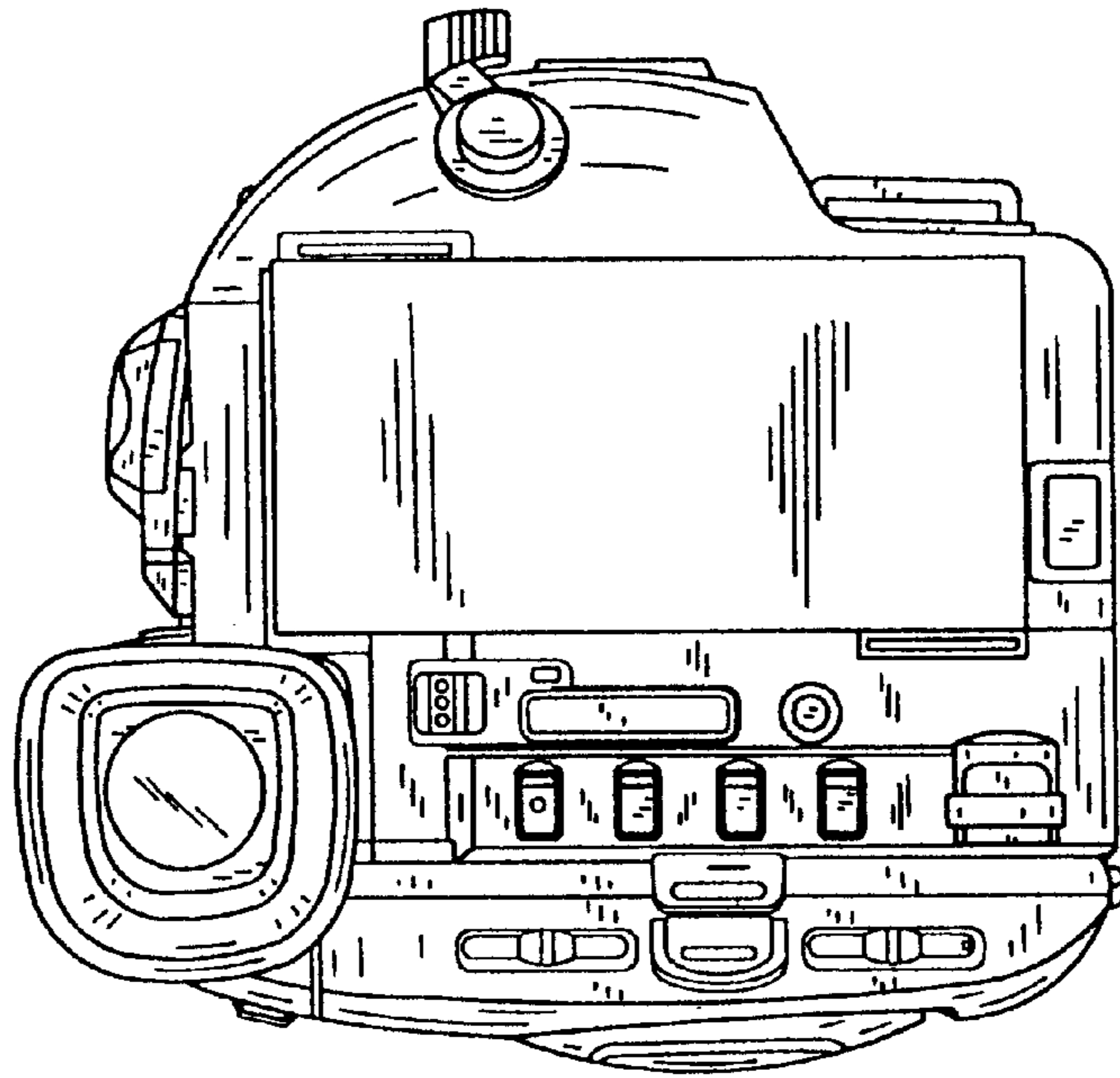


FIG. 10

